



US00D388307S

# United States Patent [19] Gringer

[11] Patent Number: **Des. 388,307**  
[45] Date of Patent: **\*\*Dec. 30, 1997**

## [54] TOOL HANDLE

[75] Inventor: **Donald Gringer, New York, N.Y.**

[73] Assignee: **Allway Tools, Inc., Bronx, N.Y.**

[\*\*] Term: **14 Years**

[21] Appl. No.: **54,114**

[22] Filed: **May 7, 1996**

[51] LOC (6) CL ..... **08-05**

[52] U.S. Cl. .... **D8/107; D8/83; D8/DIG. 7**

[58] Field of Search ..... **D4/138; D8/106, D8/94, 97, 14, 82, 83, 85, 87, 95, DIG. 7; 81/436, 439, 440, 489, 177.1; 16/110 R, DIG. 19; 30/340, 339, 343, 519, 344, 151; 7/114-116**

## [56] References Cited

### U.S. PATENT DOCUMENTS

D. 57,139	2/1921	Marcy .....	D8/47
D. 300,112	3/1989	Osterhout .....	D8/98
D. 319,379	8/1991	Cummings et al. ....	D8/107
D. 331,692	12/1992	Rieser .....	D8/107
D. 353,085	12/1994	Choi .....	D8/10
D. 359,672	6/1995	Gardiner .....	D8/107 X
2,953,175	9/1960	Robinson, Jr. et al. ....	30/519

*Primary Examiner*—**Martie Thompson**

*Attorney, Agent, or Firm*—**David M. Klein; Bryan Cave LLP**

## [57] CLAIM

The ornamental design for a tool handle, as shown and described.

## DESCRIPTION

FIG. 1 is a top view of the tool handle design;

FIG. 2 is a left side view of the tool handle shown in FIG. 1;

FIG. 3 is a right side view of the tool handle shown in FIG. 1;

FIG. 4 is a bottom view of the tool handle shown in FIG. 1;

FIG. 5 is a cross-sectional view of the tool handle shown in FIG. 1 through section 5—5;

FIG. 6 is an end view of the tool handle shown in FIG. 1;

FIG. 7 is a perspective view of the tool handle shown in FIG. 1;

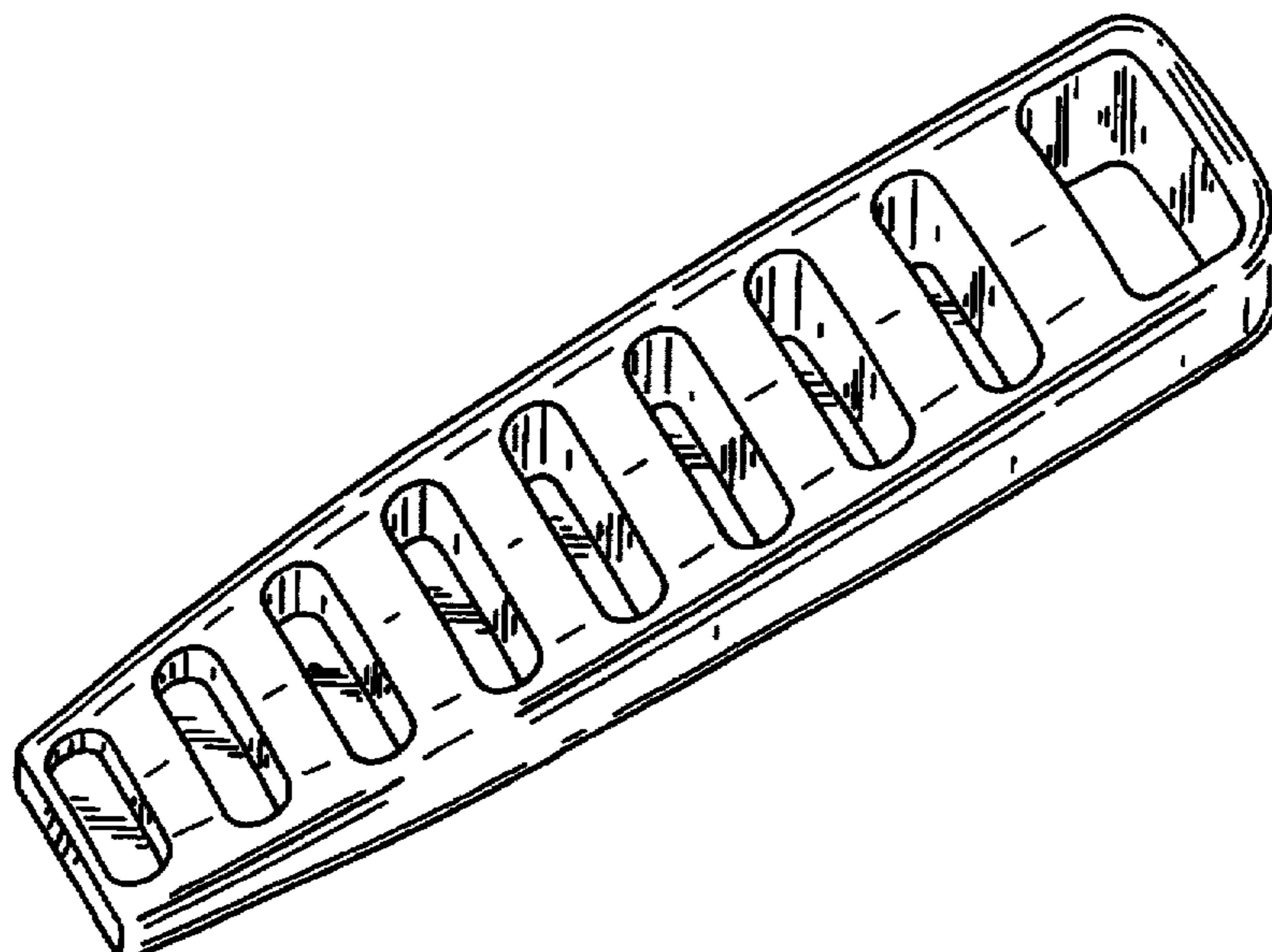
FIG. 8 is a top view of the tool handle of the invention with a seam roller head which is shown in broken lines for illustrative purposes only and forms no part of the claimed design;

FIG. 9 is a top view of the tool handle of the invention with a razor knife head which is shown in broken lines for illustrative purposes only and forms no part of the claimed design;

FIG. 10 is a top view of the tool handle of the invention with a grout rake head which is shown in broken lines for illustrative purposes only and forms no part of the claimed design; and,

FIG. 11 is a top view of the tool handle of the invention with a squeegee head which is shown in broken lines for illustrative purposes only and forms no part of the claimed design.

**1 Claim, 5 Drawing Sheets**



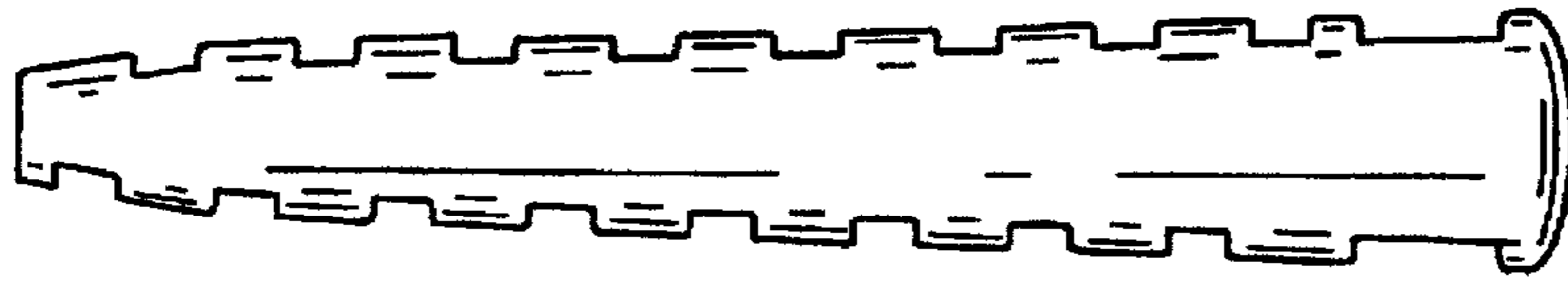


FIG. 3

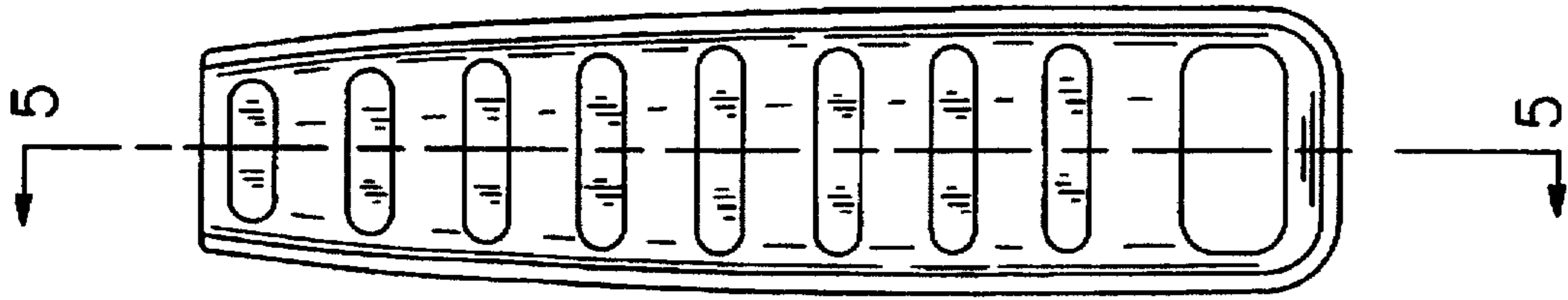


FIG. 1

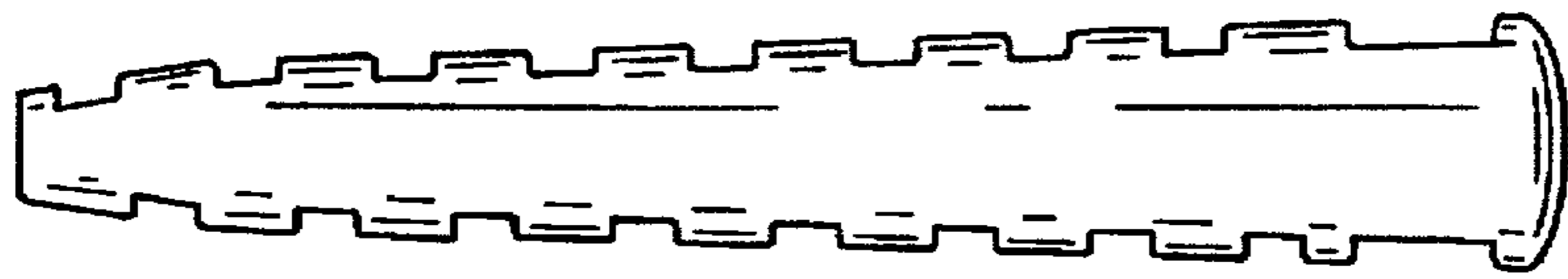


FIG. 2

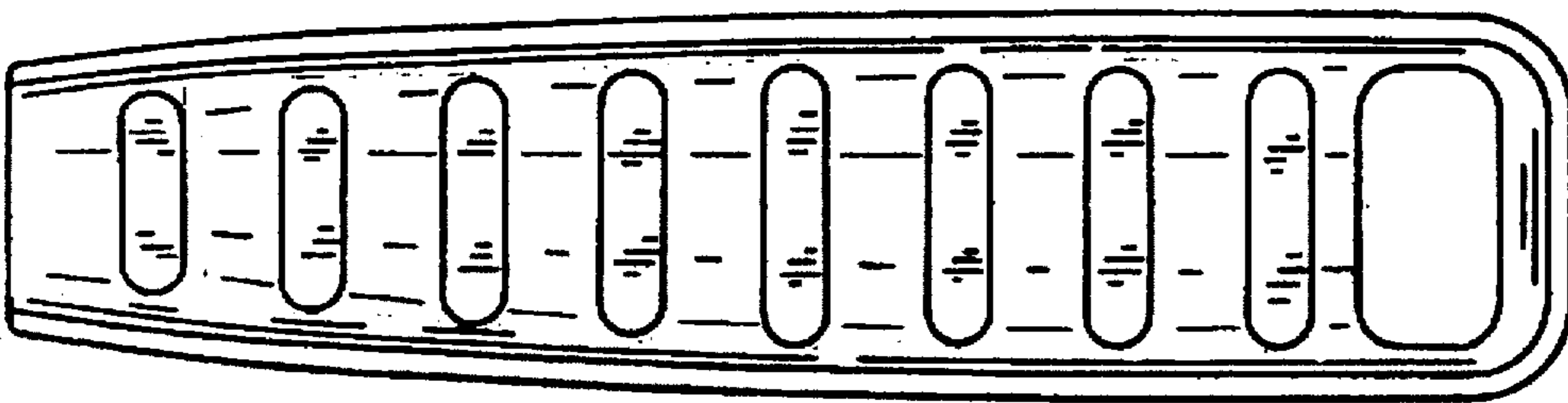


FIG. 4

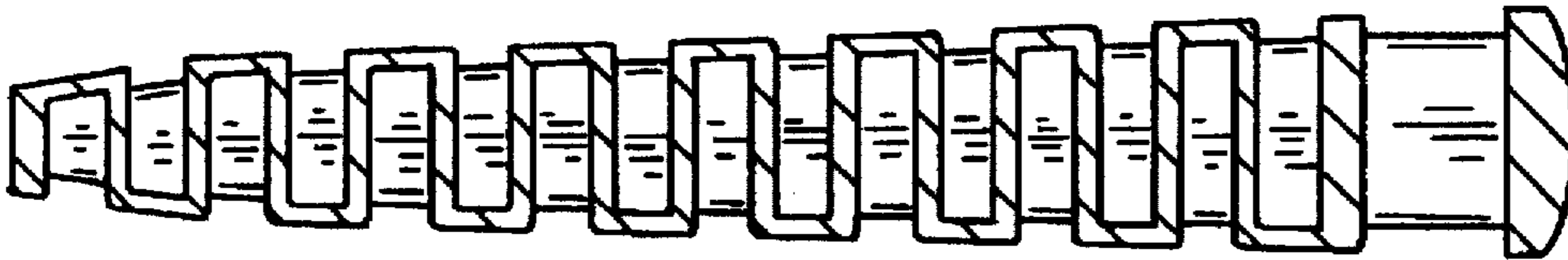


FIG. 5

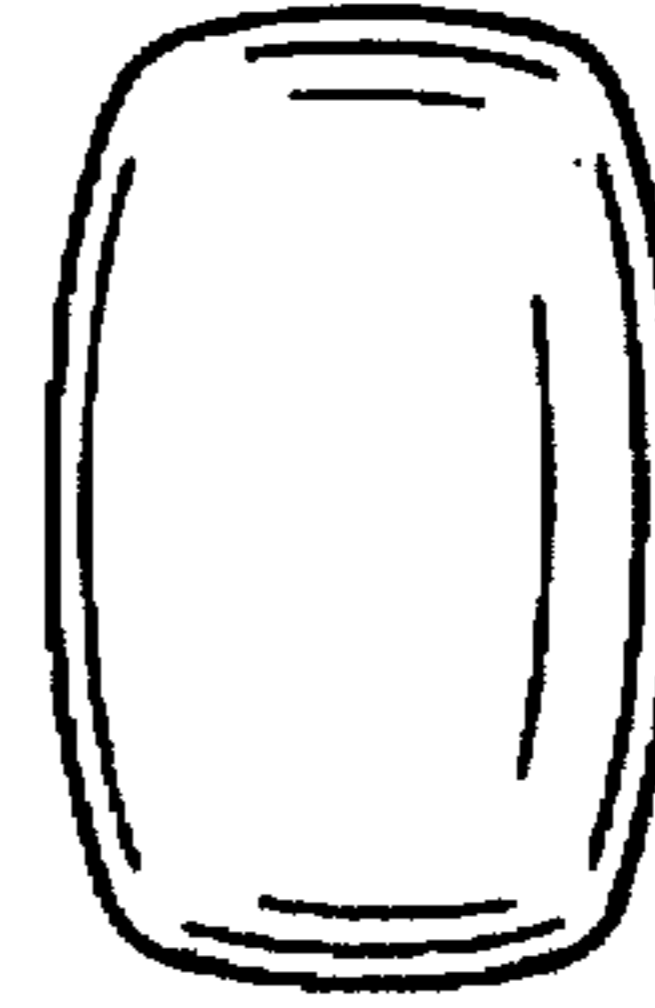


FIG. 6

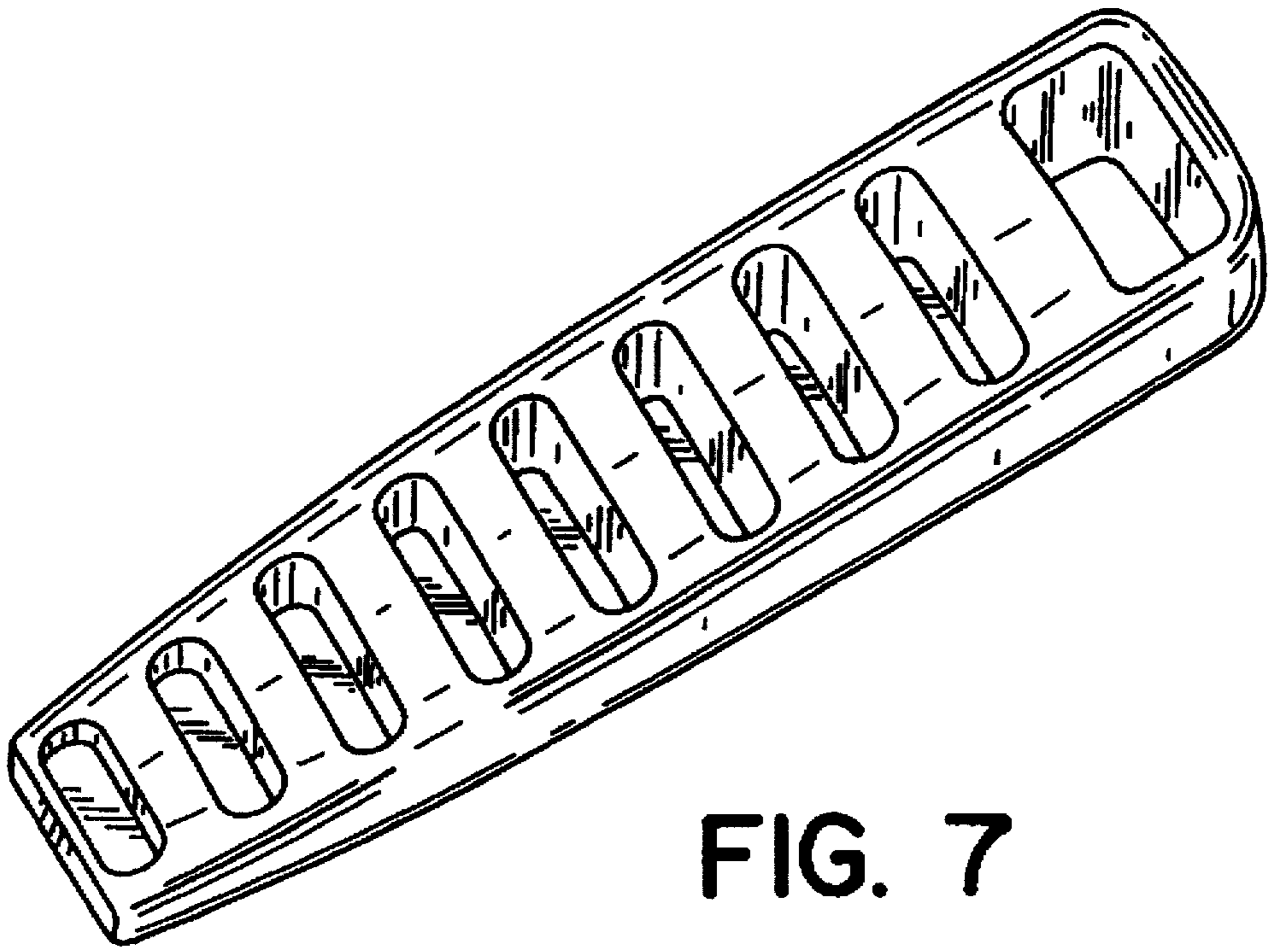


FIG. 7

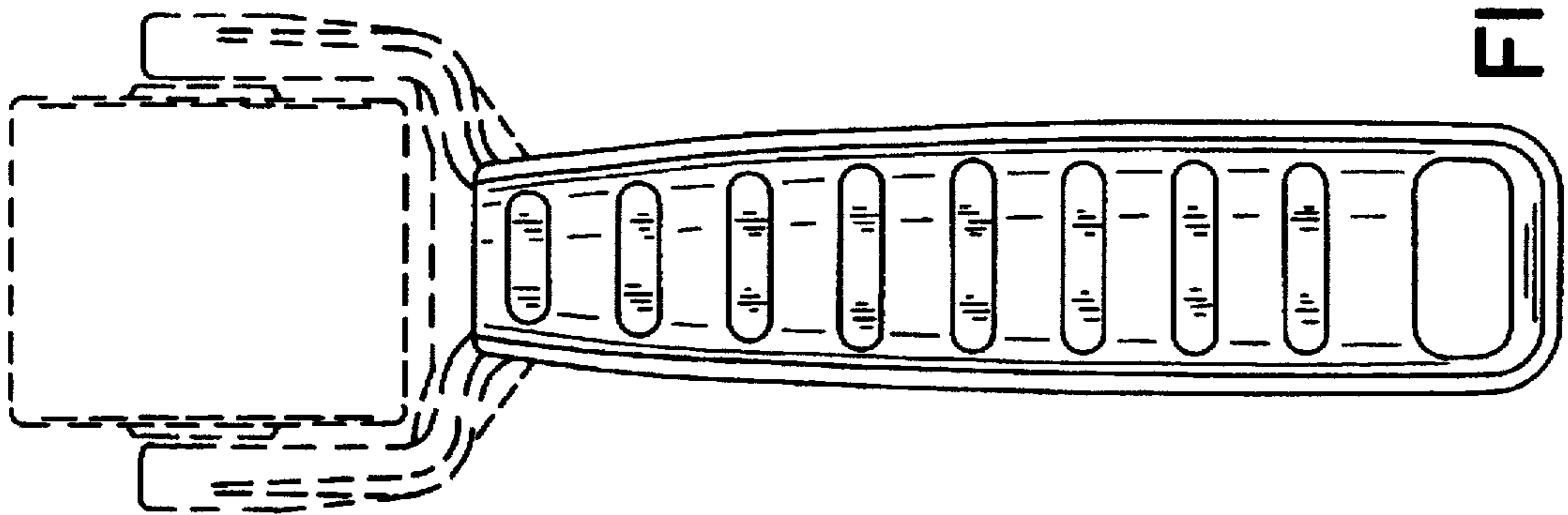


FIG. 8

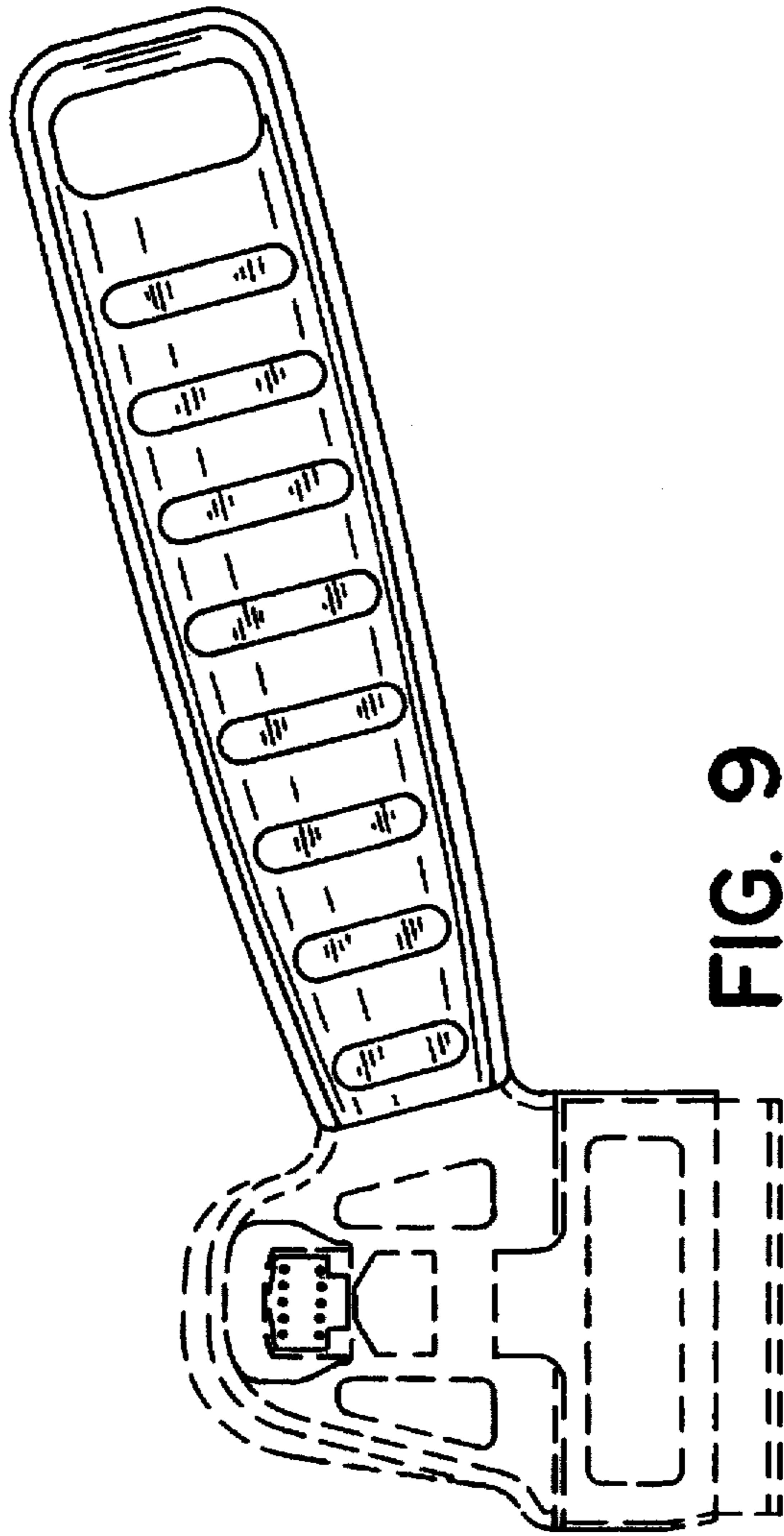


FIG. 9

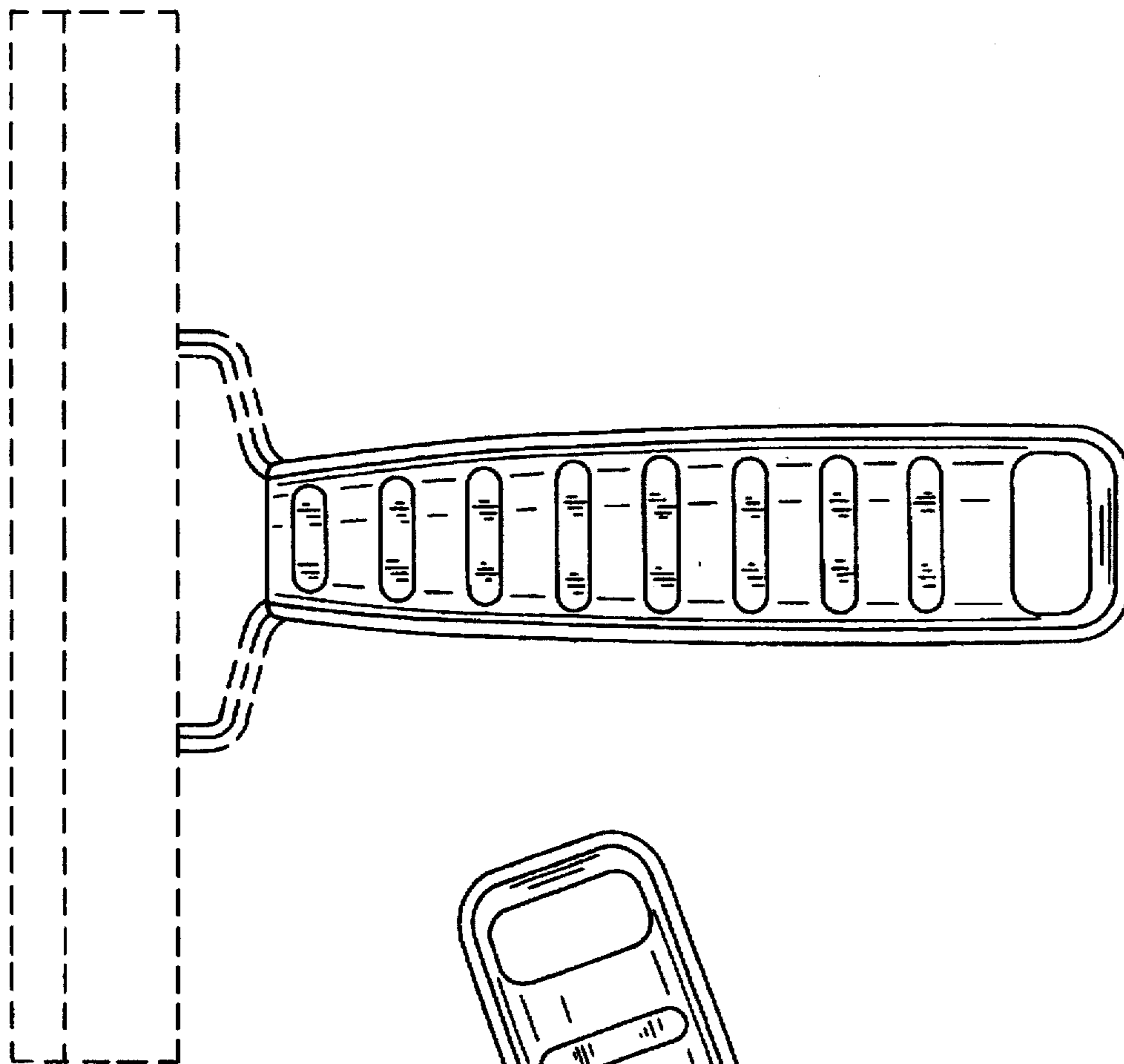


FIG. 10

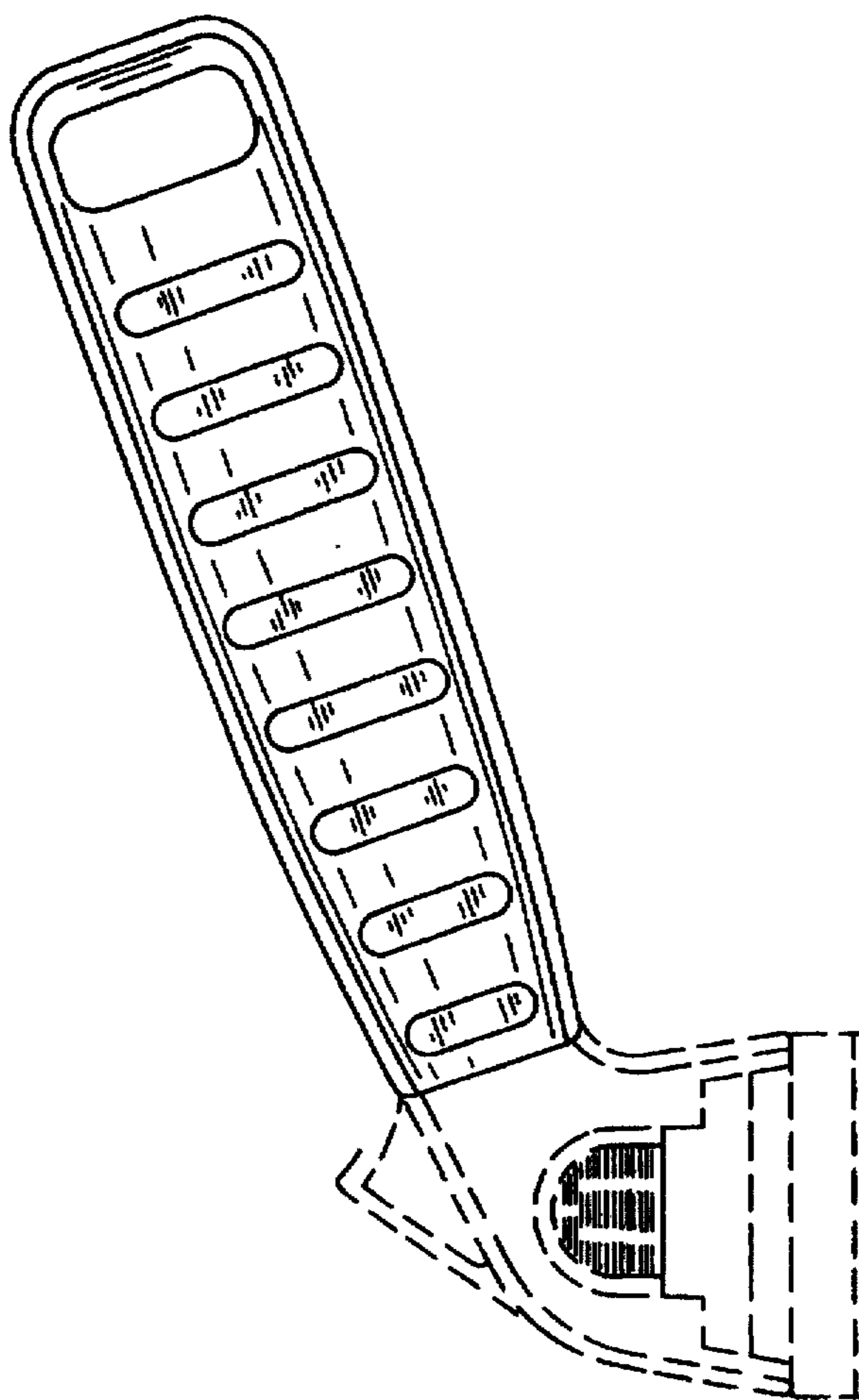


FIG. 11