



US00D388302S

United States Patent [19]
Inai

[11] **Patent Number: Des. 388,302**

[45] **Date of Patent: **Dec. 30, 1997**

[54] **CONCRETE VIBRATOR BODY**

[75] **Inventor: Masahiko Inai, Anjo, Japan**
[73] **Assignee: Makita Corporation, Anjo, Japan**
[**] **Term: 14 Years**

[21] **Appl. No.: 62,334**
[22] **Filed: Nov. 13, 1996**

[51] **LOC (6) Cl. 06-03**
[52] **U.S. Cl. D8/68**
[58] **Field of Search D8/68, 69, 61;**
81/54, 57, 57.11, 57.14; 173/170; 488/124,
125; 366/117-123

[56] **References Cited**

U.S. PATENT DOCUMENTS

D. 364,463 11/1995 Pitzen et al. D8/68 X
D. 368,009 3/1996 Zurwelle D8/68
D. 368,214 3/1996 Zurwelle D8/68

OTHER PUBLICATIONS

Makita Catalog of Concrete Vibrator as of Oct., 1989.
Primary Examiner—Antoine Duval Davis
Attorney, Agent, or Firm—Davis and Bujold

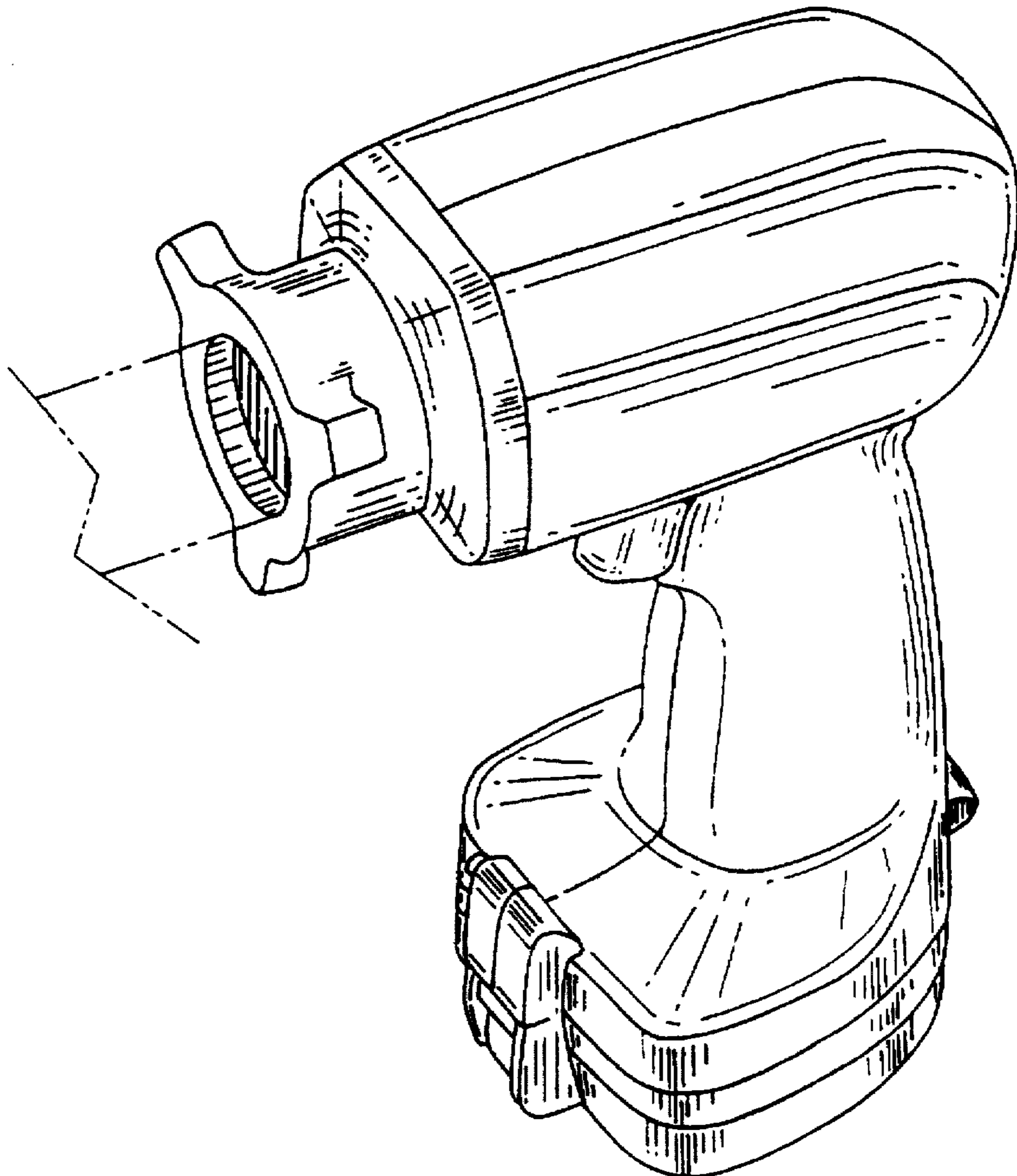
[57] **CLAIM**

The ornamental design for a concrete vibrator body, as shown and described.

DESCRIPTION

FIG. 1 is a perspective view of a concrete vibrator body embodying my new design;
FIG. 2 is a front elevational view thereof;
FIG. 3 is a bottom plan view thereof;
FIG. 4 is a top plan view thereof;
FIG. 5 is a rear elevational view thereof;
FIG. 6 is a right side elevational view thereof; and,
FIG. 7 is a left side elevational view thereof.
The broken line showings are for illustrative purposes only and forms no part of the claimed design.

1 Claim, 7 Drawing Sheets



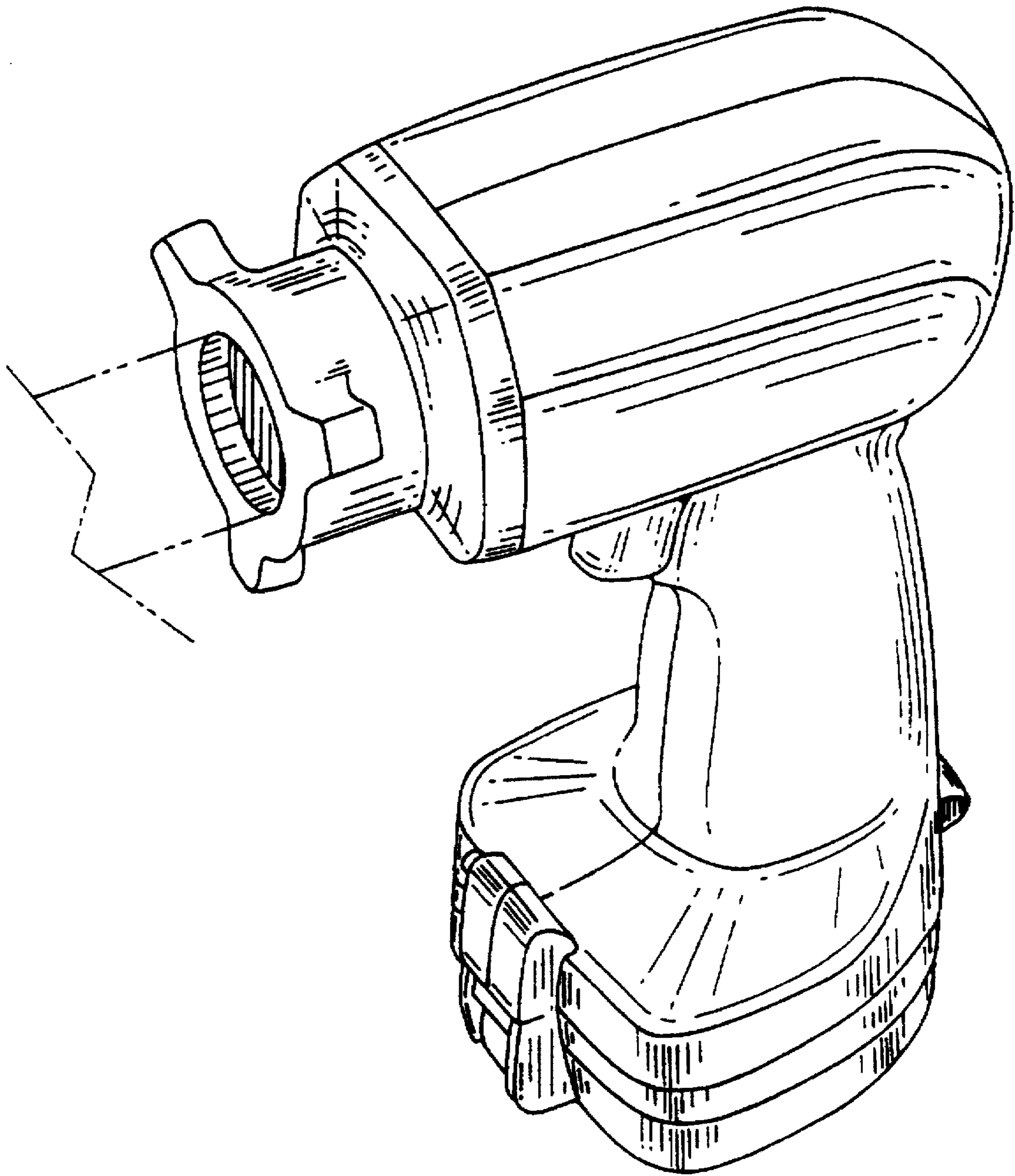


FIG. 1

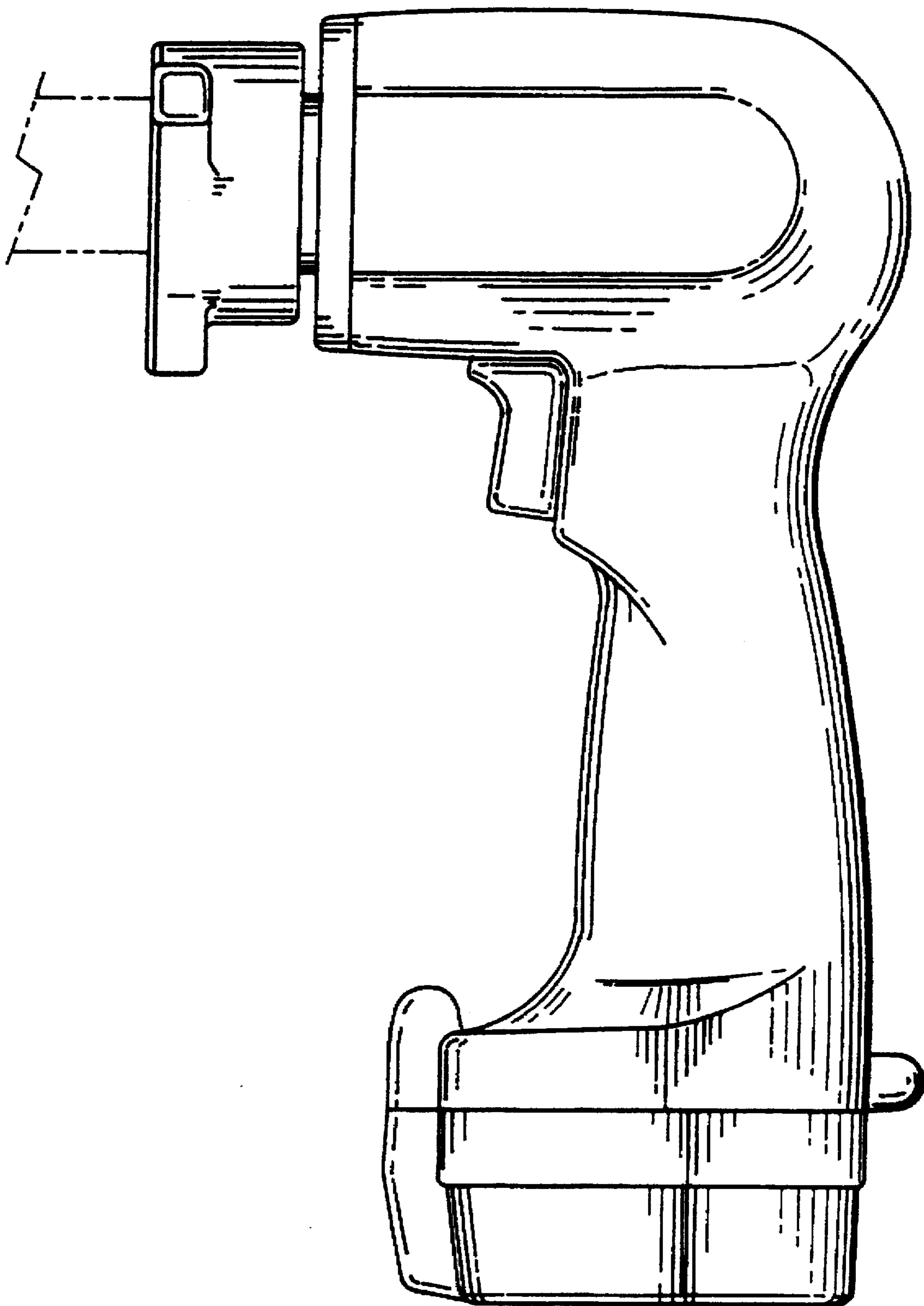


FIG. 2

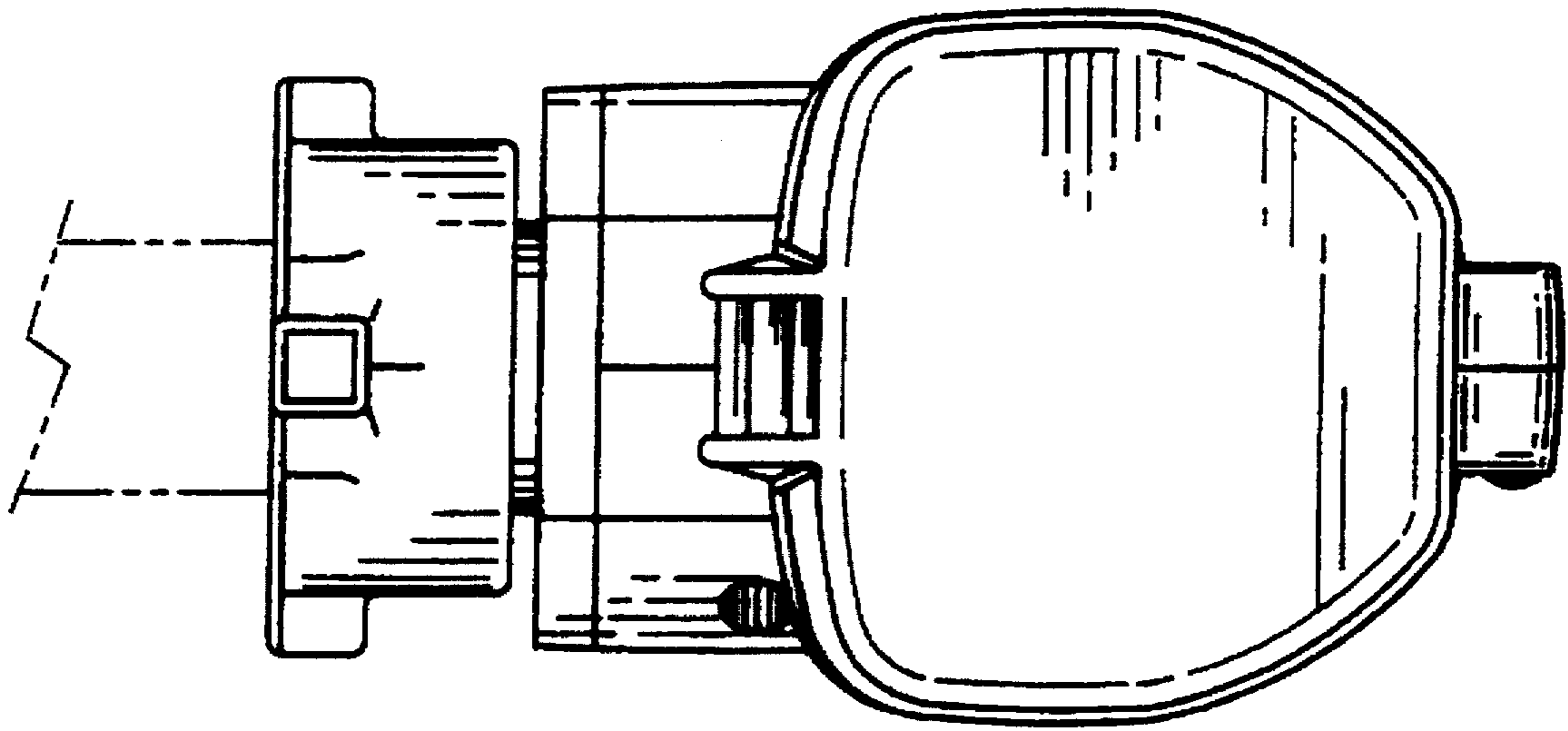


FIG. 3

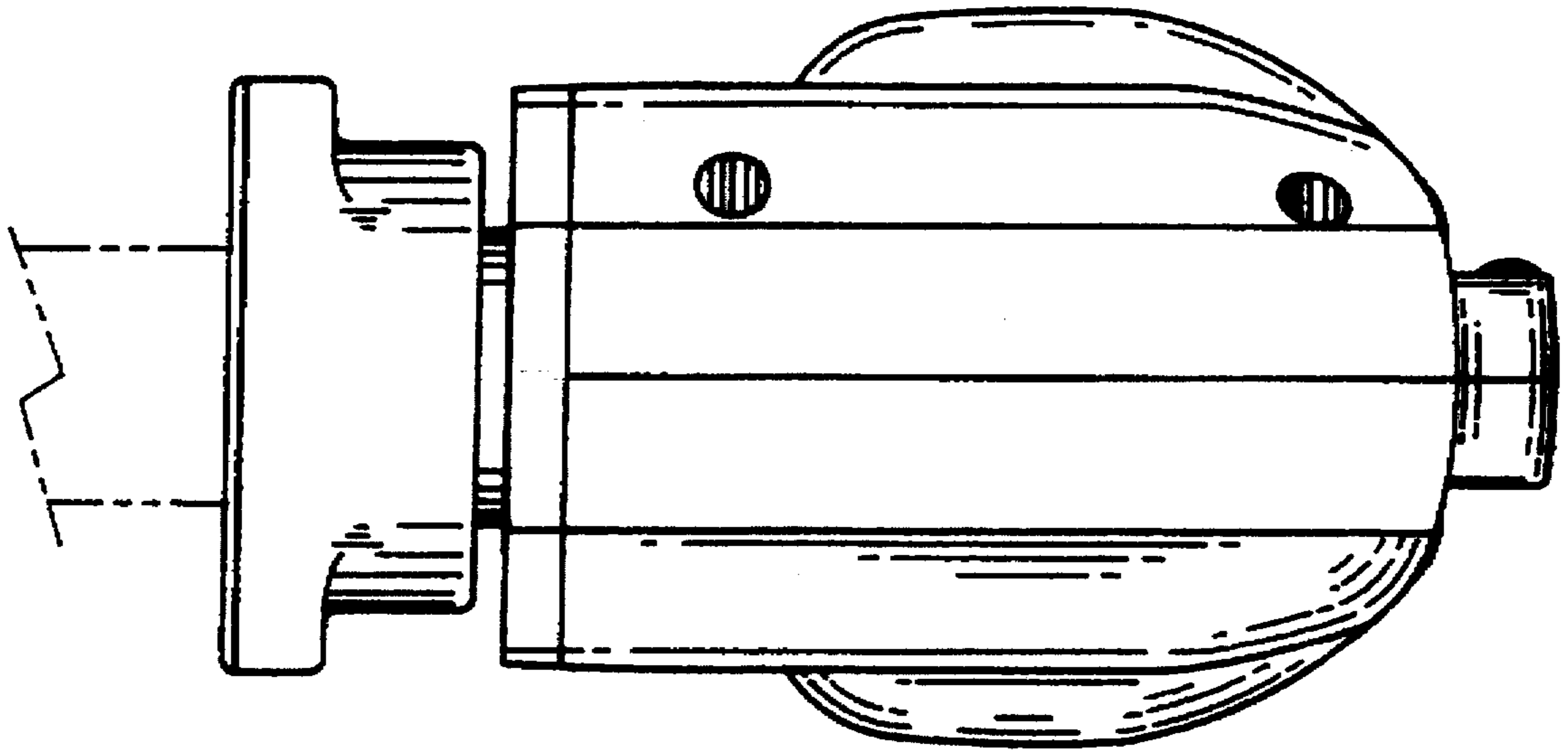


FIG. 4

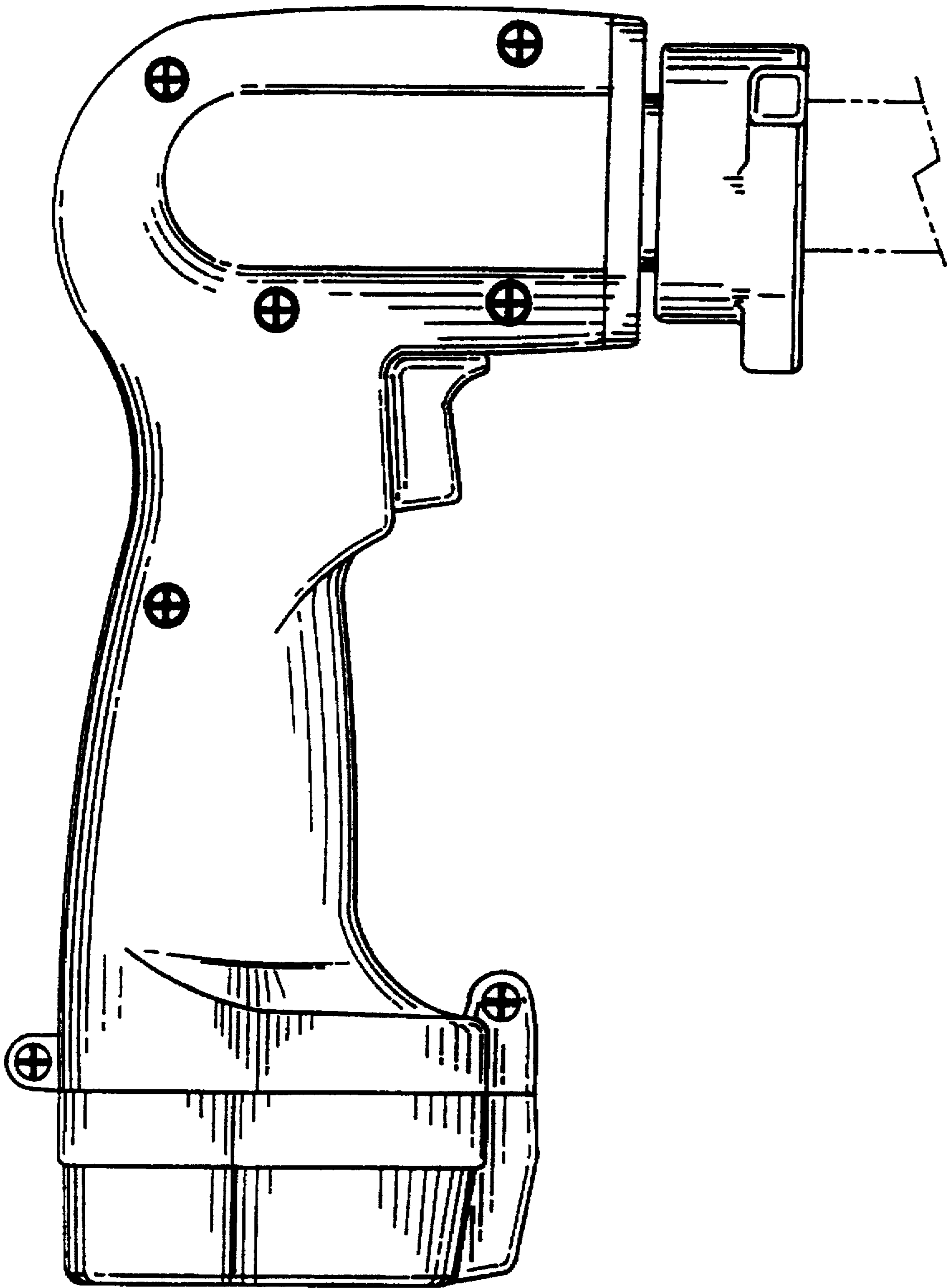


FIG. 5

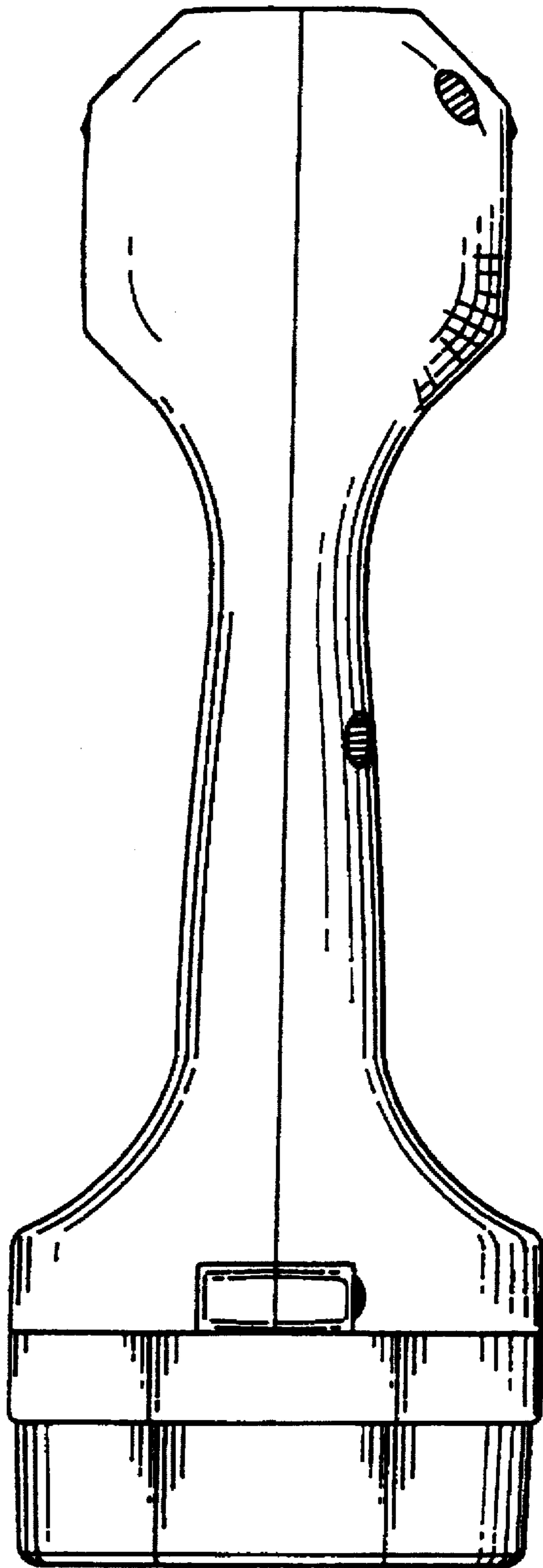


FIG. 6

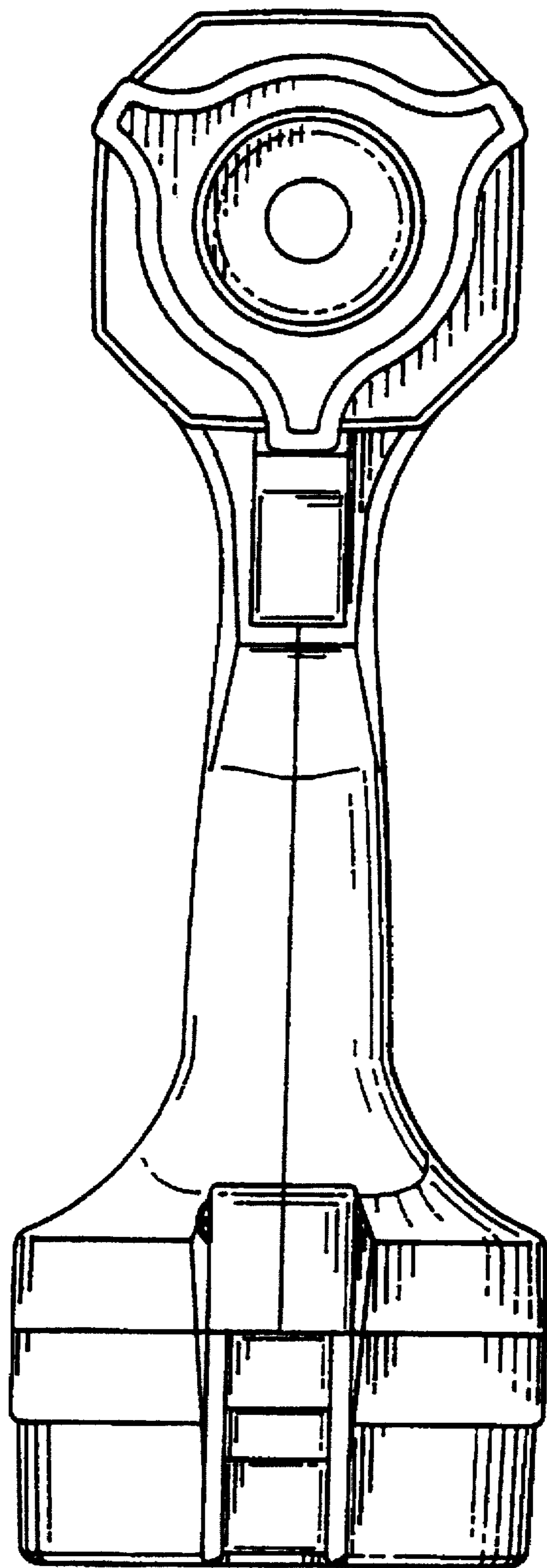


FIG. 7