



US00D388301S

United States Patent [19] Steel

[11] Patent Number: **Des. 388,301**

[45] Date of Patent: ****Dec. 30, 1997**

[54] **AIR TORQUE WRENCH**

[76] Inventor: **Todd Steel, 311 W. Main St.,
Enterprise, Oreg. 97828**

[**] Term: **14 Years**

[21] Appl. No.: **27,422**

[22] Filed: **Aug. 22, 1994**

[51] LOC (6) CL. **08-05**

[52] U.S. Cl. **D8/68; D8/61**

[58] Field of Search **D8/61, 68; 173/96,
173/170, 48, 93; 81/57, 57.11, 57.13**

[56] **References Cited**

U.S. PATENT DOCUMENTS

- D. 325,861 5/1992 Saito et al. D8/68
- D. 335,073 4/1993 Anthony et al. D8/68

- D. 339,726 9/1993 Bruno et al. D8/68
- D. 345,090 3/1994 Okumura D8/68

Primary Examiner—Martie Thompson
Attorney, Agent, or Firm—Terry M. Gernstein

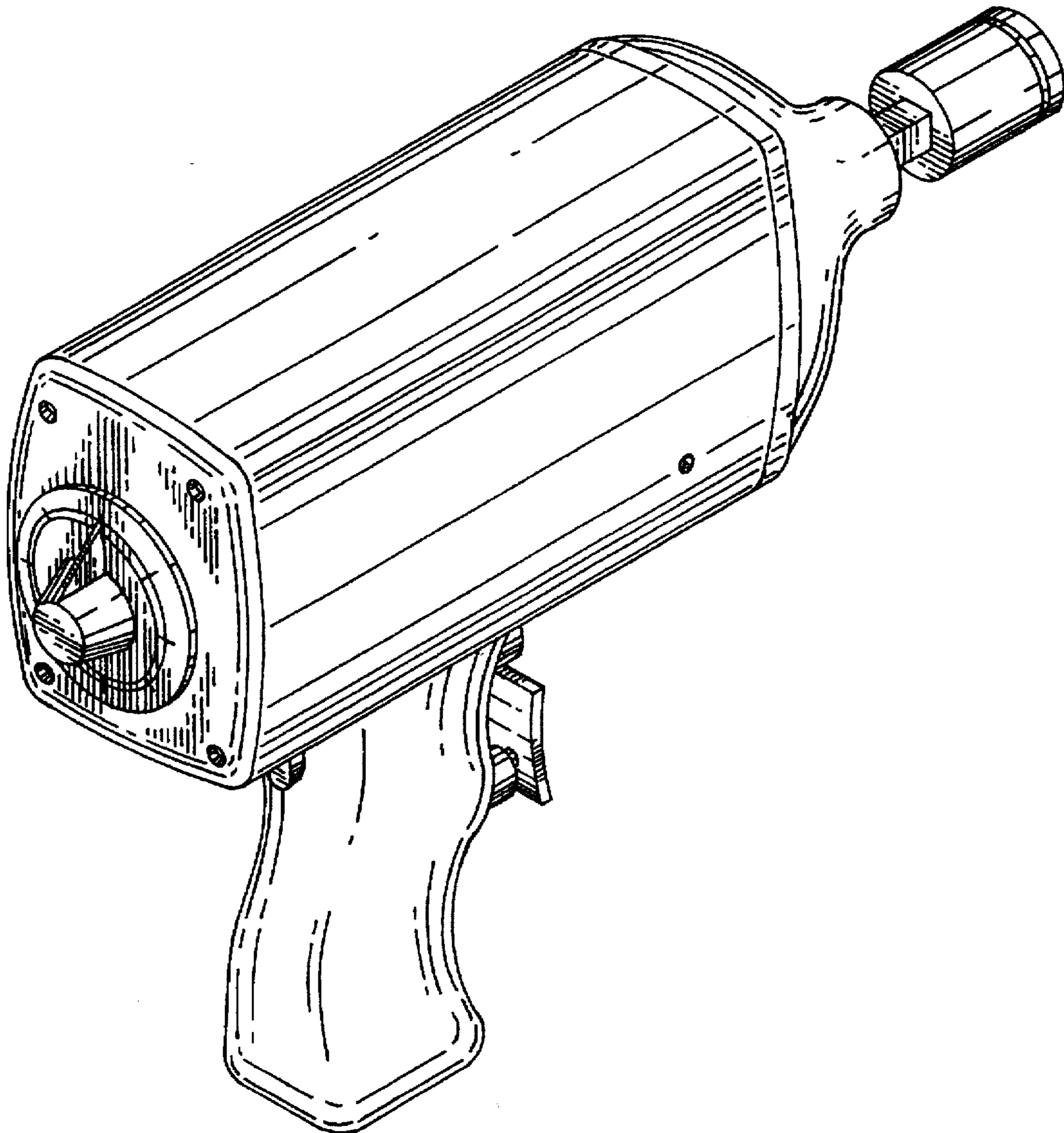
[57] **CLAIM**

The ornamental design for an air torque wrench, as shown and described.

DESCRIPTION

FIG. 1 is a front, top and side perspective view of the air torque wrench showing my new design;
FIG. 2 is a front elevational view thereof;
FIG. 3 is a rear elevational view thereof;
FIG. 4 is a side elevational view thereof, the side opposite being a mirror image of the side shown in FIG. 4.
FIG. 5 is a top plan view thereof; and,
FIG. 6 is a bottom plan view thereof.

1 Claim, 3 Drawing Sheets



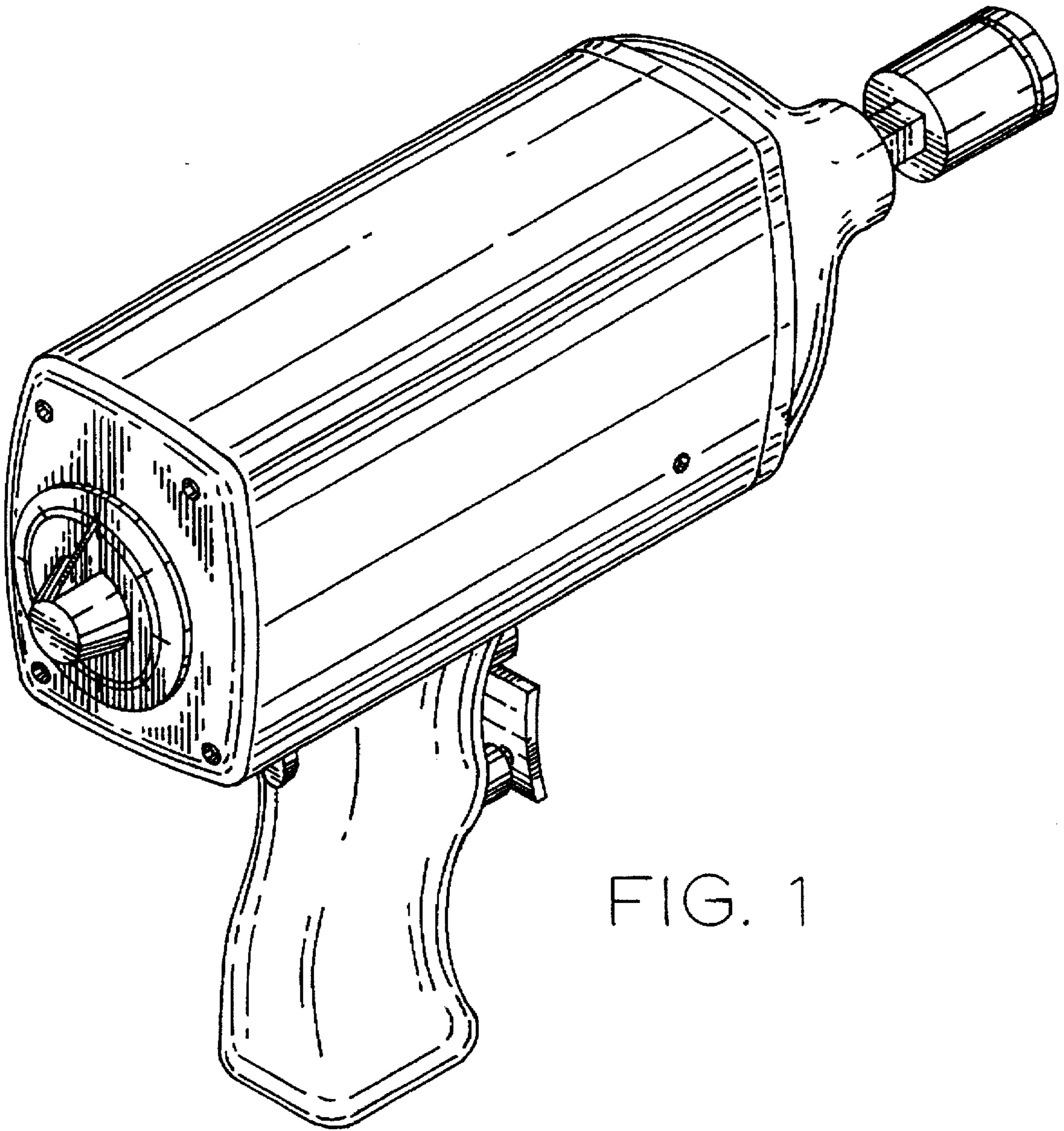


FIG. 1

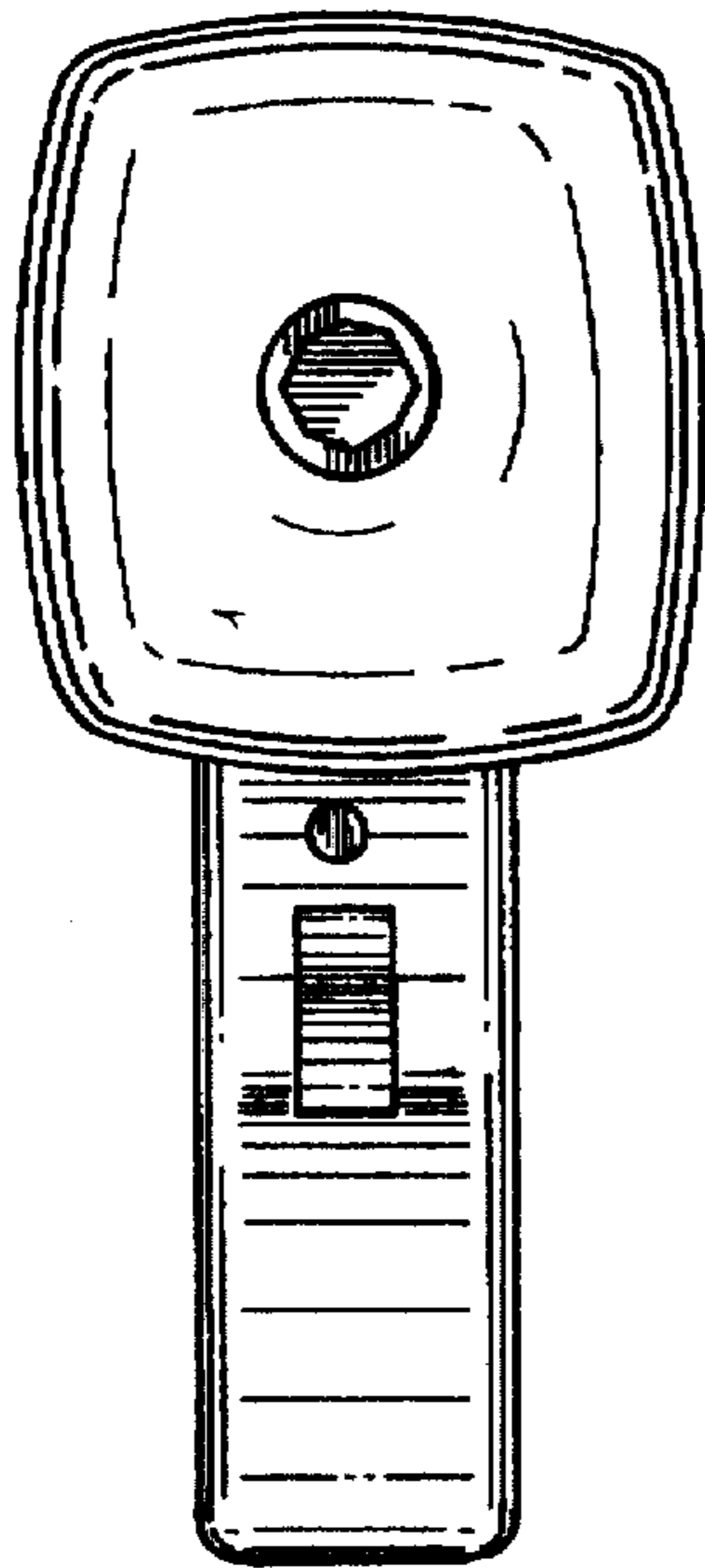


FIG. 2

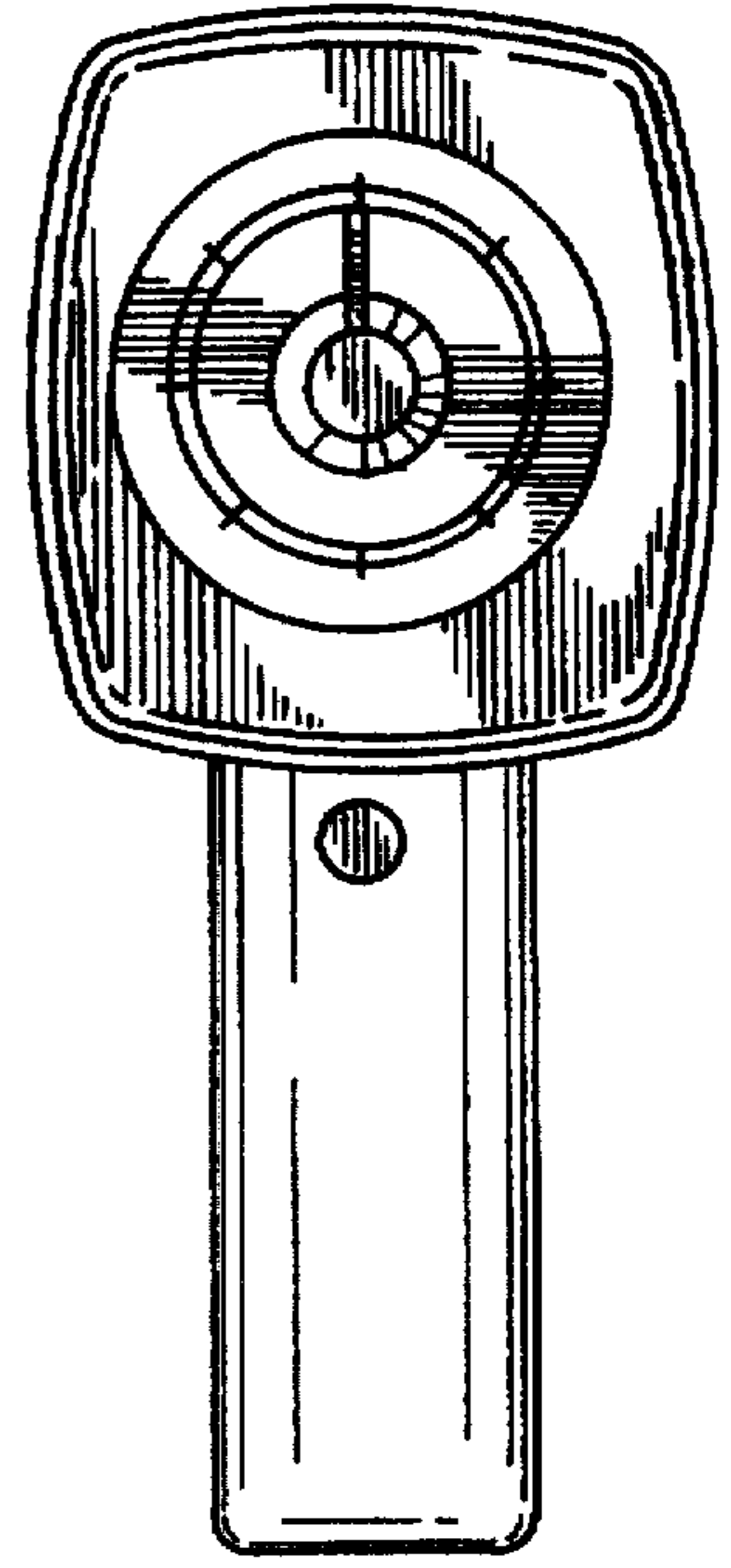


FIG. 3

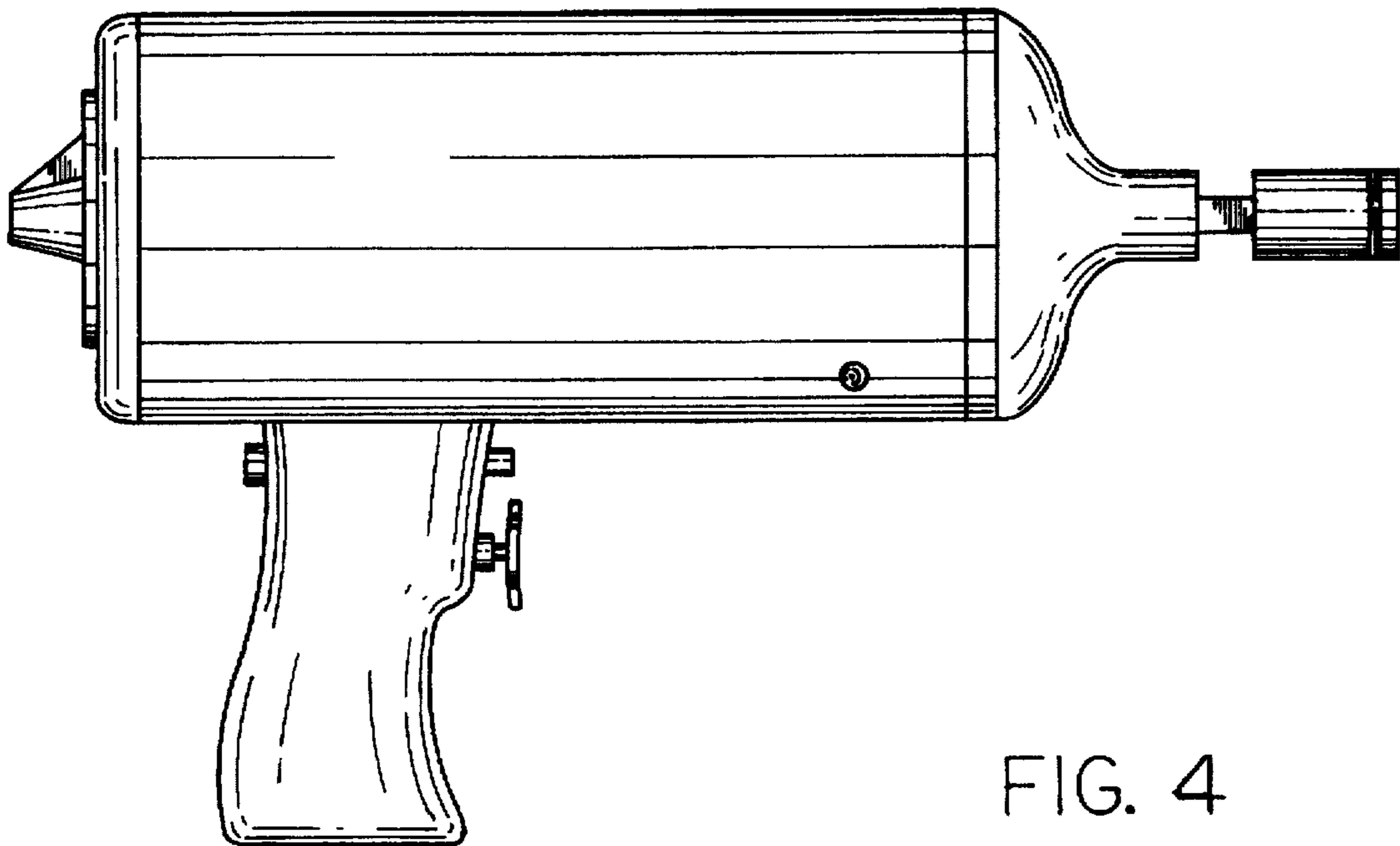


FIG. 4

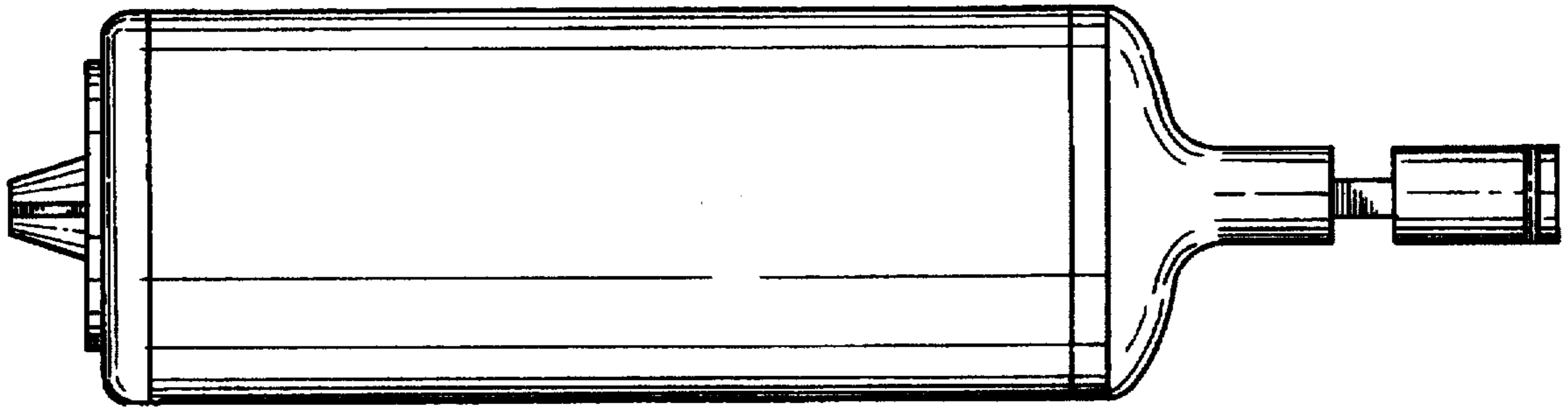


FIG. 5

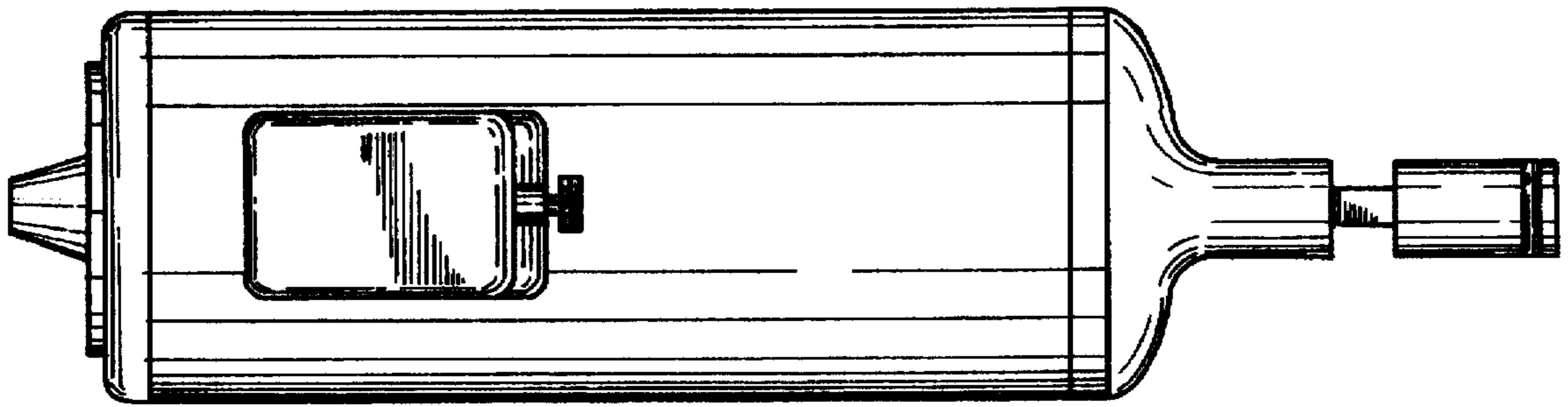


FIG. 6