



US00D388300S

United States Patent [19]
Jeltsch

[11] **Patent Number: Des. 388,300**
[45] **Date of Patent: **Dec. 30, 1997**

[54] **BRANCH SHEAR**

D. 361,027 8/1995 Striffler D8/61
5,566,454 10/1996 Eisenbraun 30/228

[75] **Inventor: Thomas Jeltsch, Markdorf, Germany**

[73] **Assignee: J. Wagner GmbH, Friedrichshafen, Germany**

Primary Examiner—Antoine Duval Davis
Attorney, Agent, or Firm—Faegre & Benson

[**] **Term: 14 Years**

[57] **CLAIM**

[21] **Appl. No.: 59,787**

The ornamental design for a branch shear, as shown.

[22] **Filed: Sep. 16, 1996**

DESCRIPTION

[30] **Foreign Application Priority Data**

Apr. 27, 1996 [DE] Germany M-96-03-907.8

FIG. 1 is a perspective view of a branch shear according to the present invention;

[51] **LOC (6) Cl. 08-01**

FIG. 2 is a right side elevation view thereof;

[52] **U.S. Cl. D8/61**

FIG. 3 is a left side elevation view thereof;

[58] **Field of Search D8/61; 30/245, 30/249, 228, 276, 275.4, 216, 382, 388; 56/233, 236, 242; 83/837**

FIG. 4 is a top view thereof;

FIG. 5 is a bottom view thereof;

FIG. 6 is a front view thereof; and,

FIG. 7 is a rear view thereof.

[56] **References Cited**

U.S. PATENT DOCUMENTS

D. 229,389 11/1973 Kahn D8/61

1 Claim, 7 Drawing Sheets

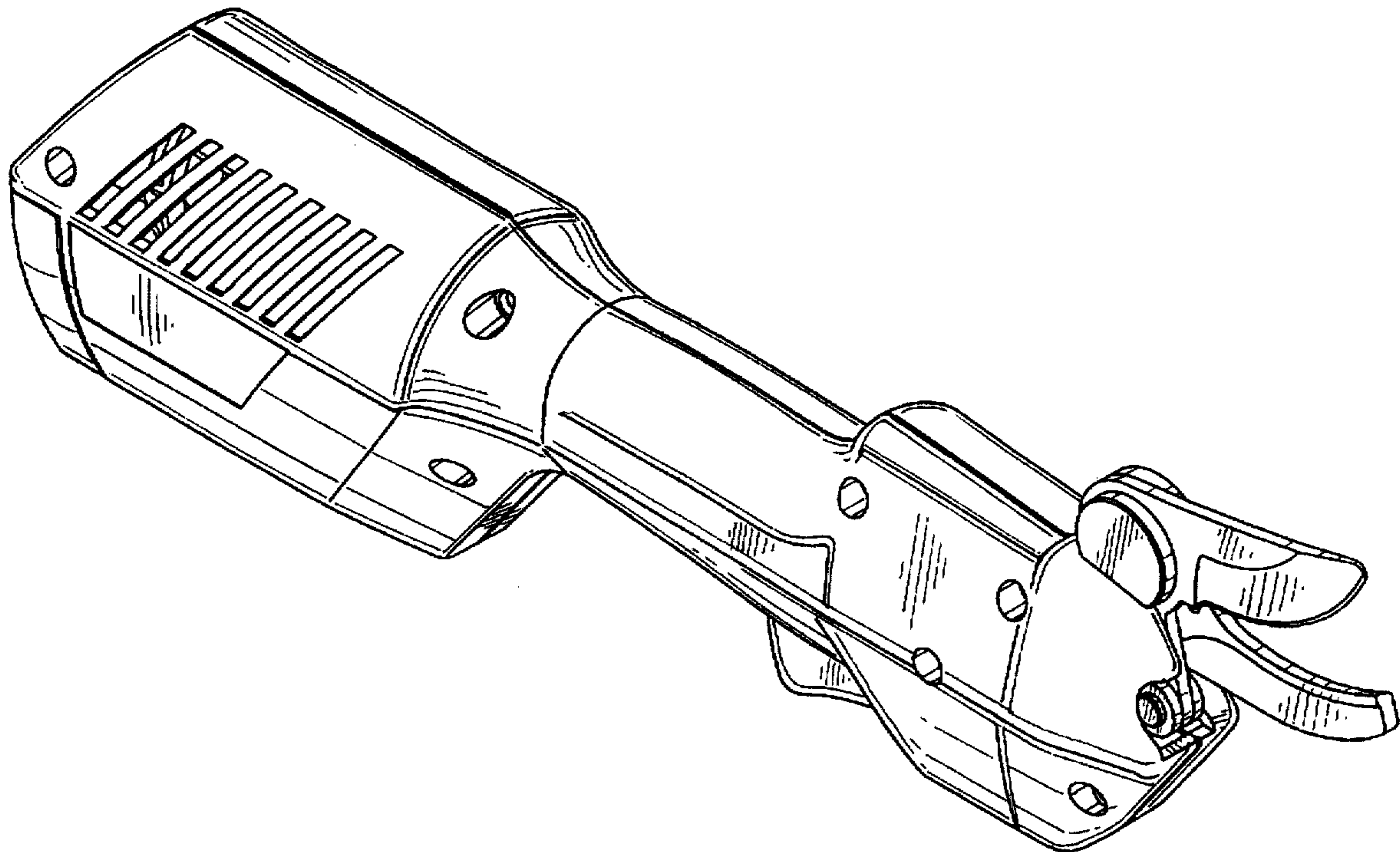


Fig. 1

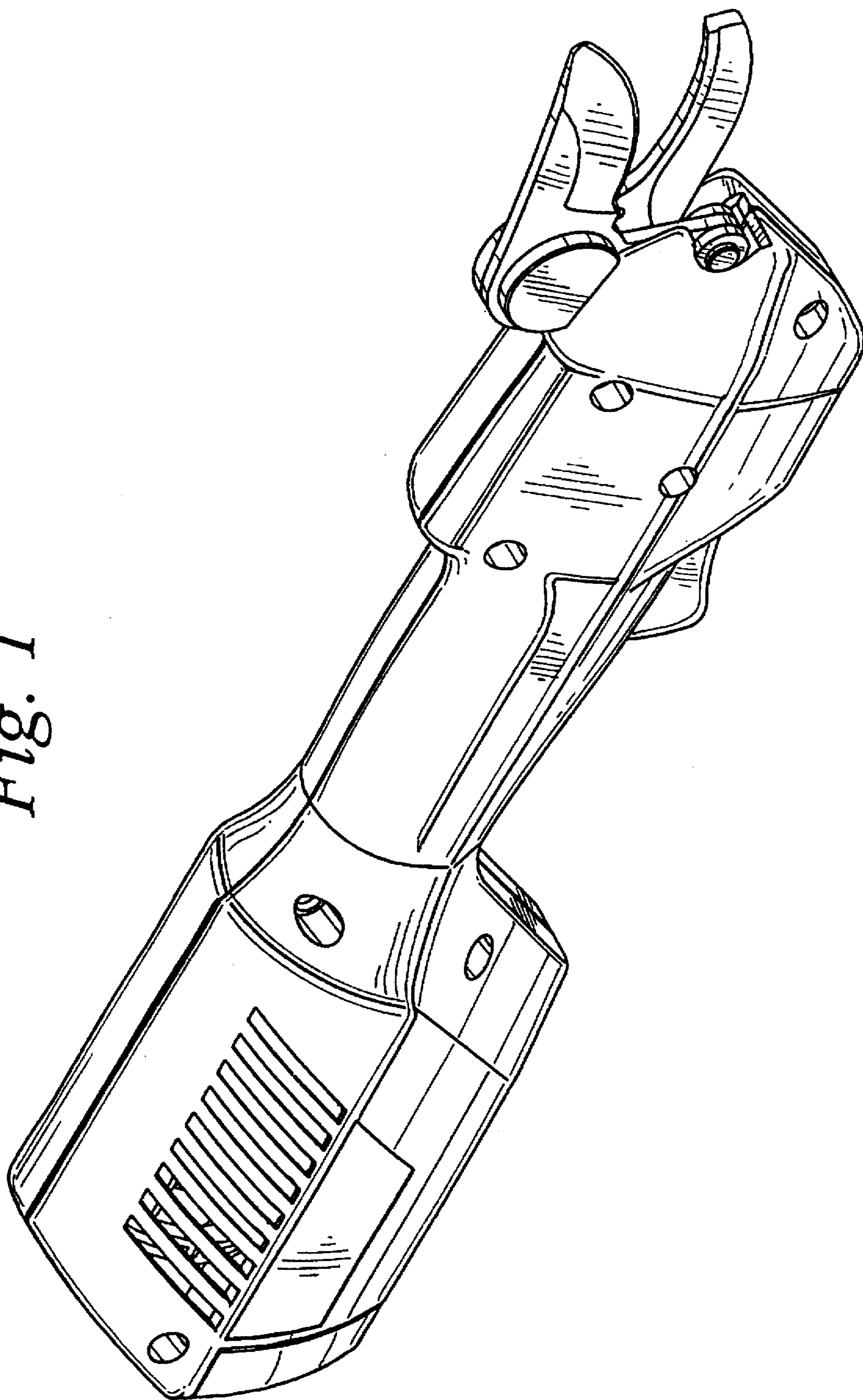


Fig. 2

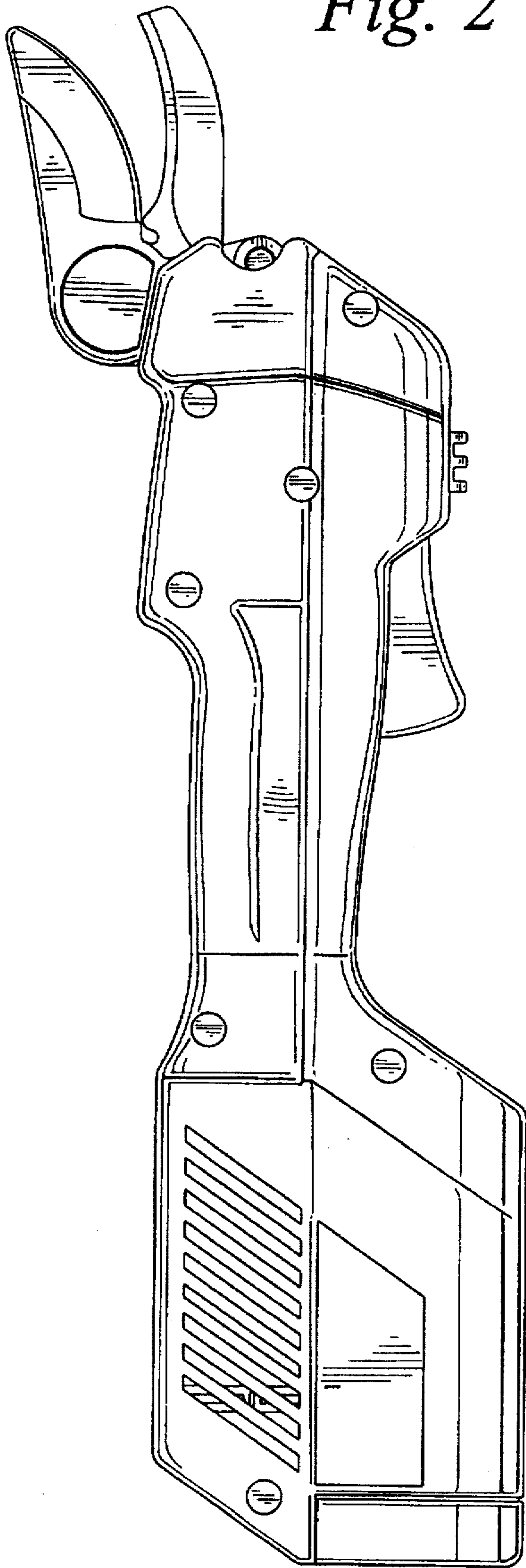


Fig. 3

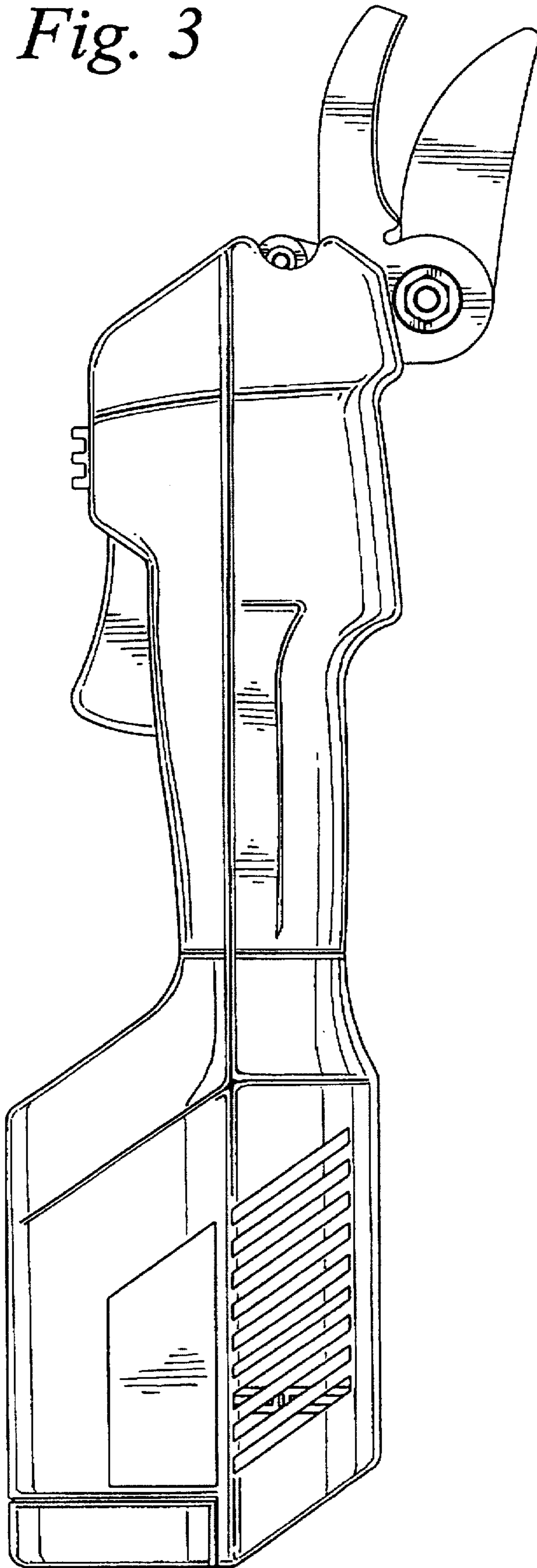


Fig. 4

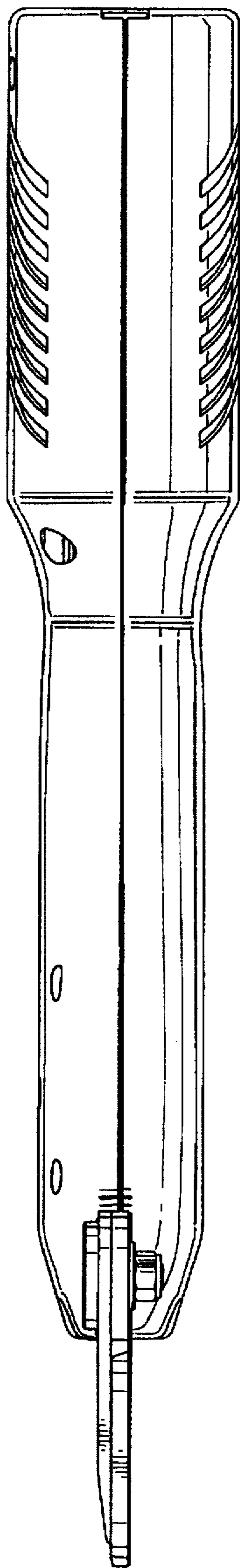


Fig. 5

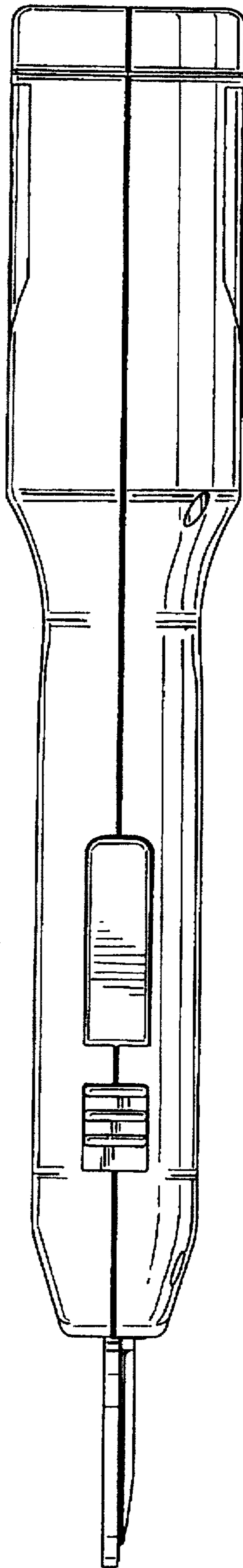


Fig. 6

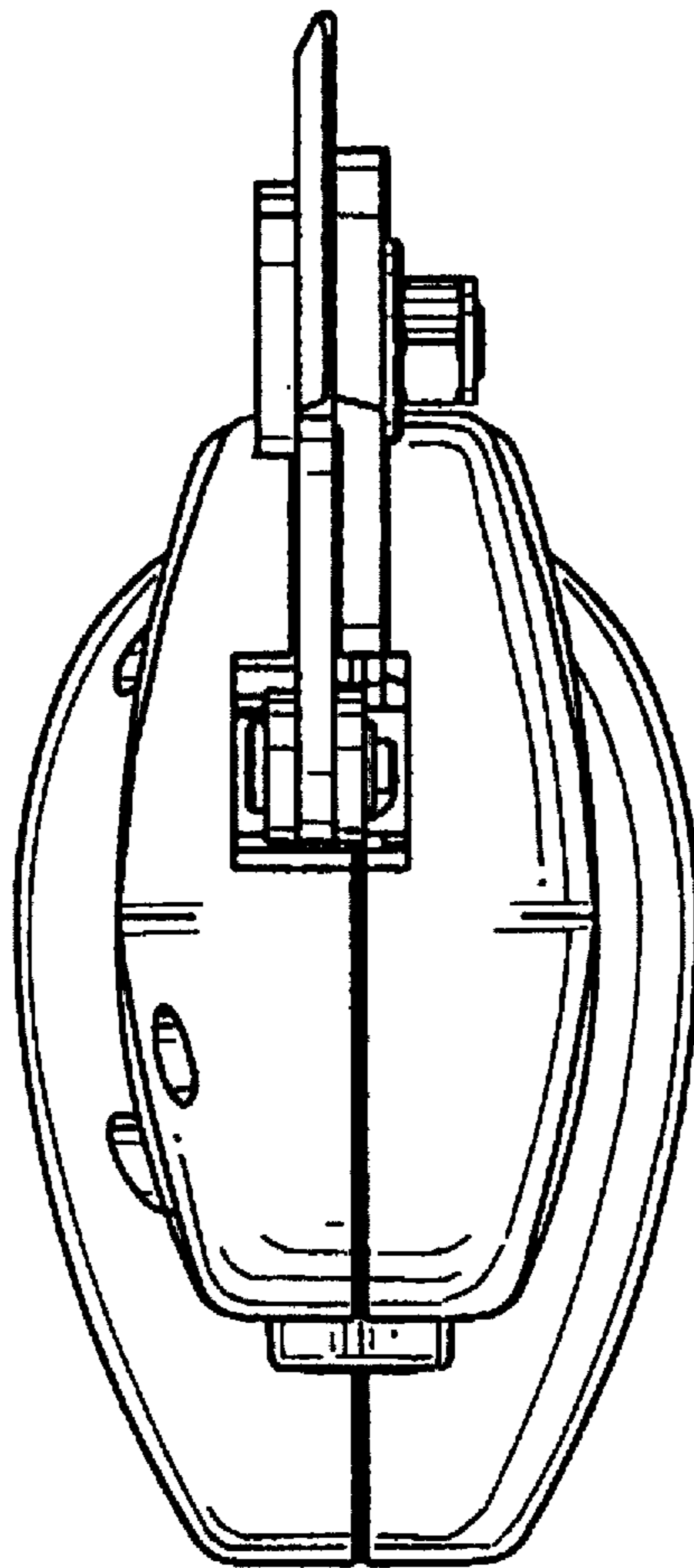


Fig. 7

