



US00D388299S

United States Patent [19] Hacker

[11] Patent Number: **Des. 388,299**
[45] Date of Patent: ****Dec. 30, 1997**

[54] **VIBRATING DARBY**
[76] Inventor: **Wesley Hacker, 610 Newport Center Dr., #100, Newport Beach, Calif. 92660**
[**] Term: **14 Years**
[21] Appl. No.: **63,836**
[22] Filed: **Dec. 17, 1996**
[51] LOC (6) Cl. **08-05**
[52] U.S. Cl. **D8/45**
[58] Field of Search **D8/45; 404/89, 404/97, 103, 113, 117; 15/235.4, 235.6, 235.8; 172/371, 381**

1,713,513 5/1929 Abram 15/235.8
3,090,066 5/1963 Ferrell, Jr. et al. 15/235.8

Primary Examiner—Antoine Duval Davis
Attorney, Agent, or Firm—James E. Brunton

[57] CLAIM

The ornamental design for “vibrating darby”, as shown.

DESCRIPTION

FIG. 1 is a generally perspective view of a vibrating darby showing my new design;
FIG. 2 is a side elevational view thereof;
FIG. 3 is a front view thereof;
FIG. 4 is a top view thereof; and,
FIG. 5 is a bottom view thereof.

[56] References Cited

U.S. PATENT DOCUMENTS

D. 324,980 12/1986 Hacker D8/45

1 Claim, 2 Drawing Sheets



FIG. 1

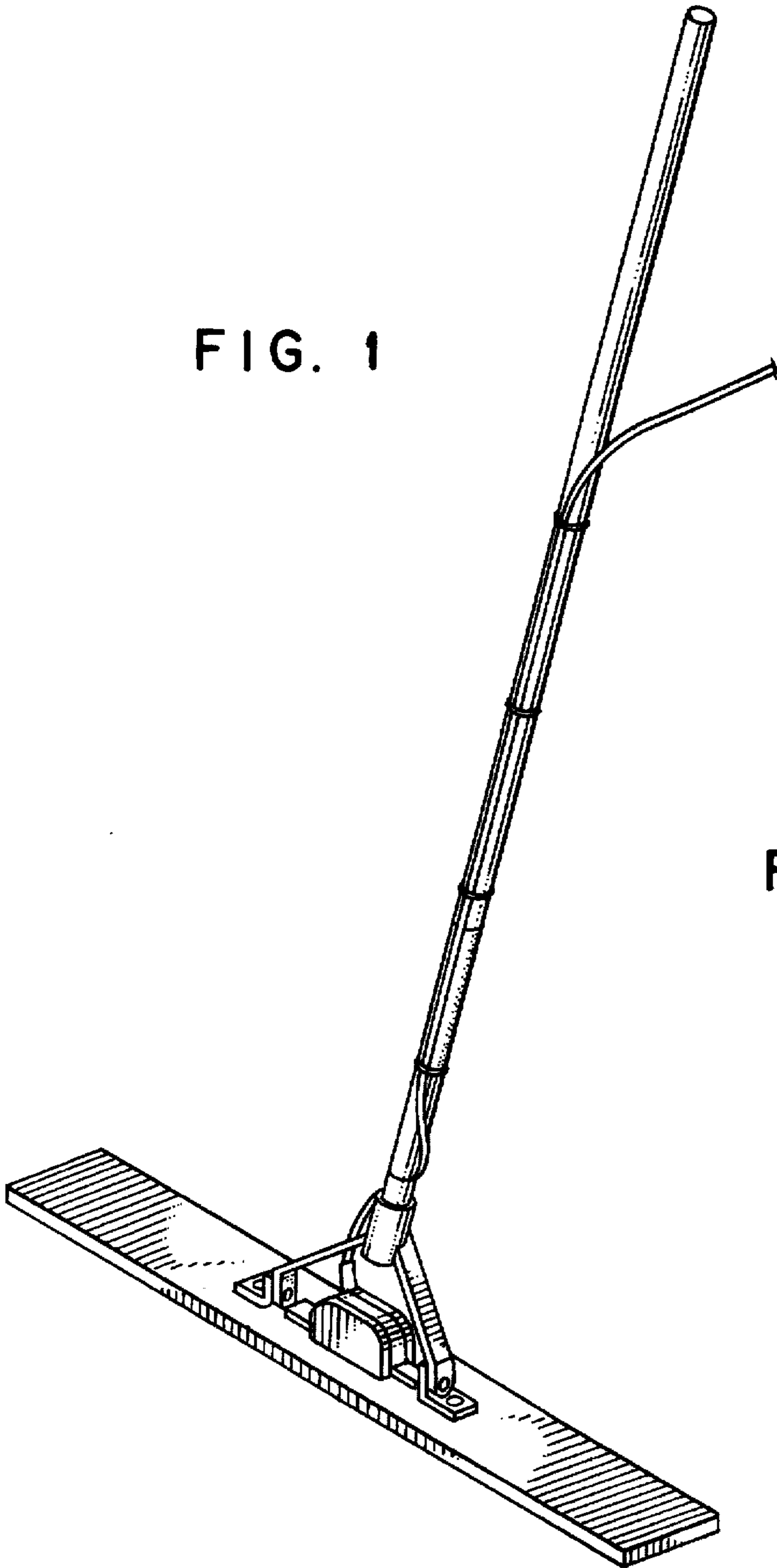


FIG. 2

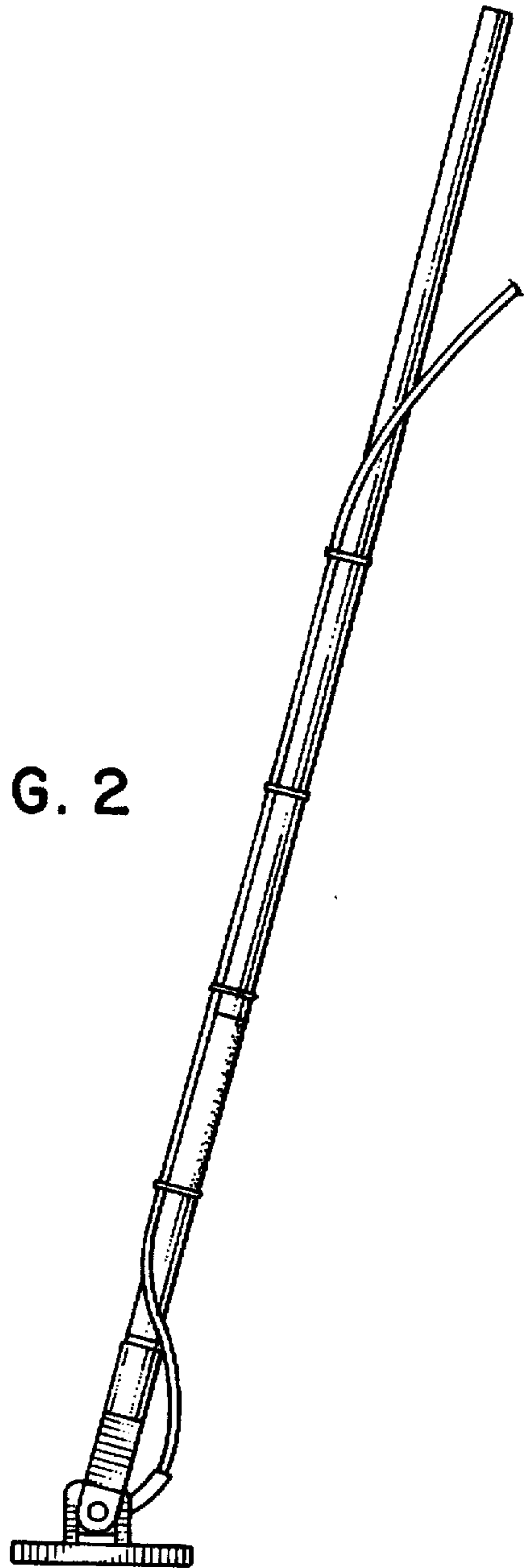


FIG. 3

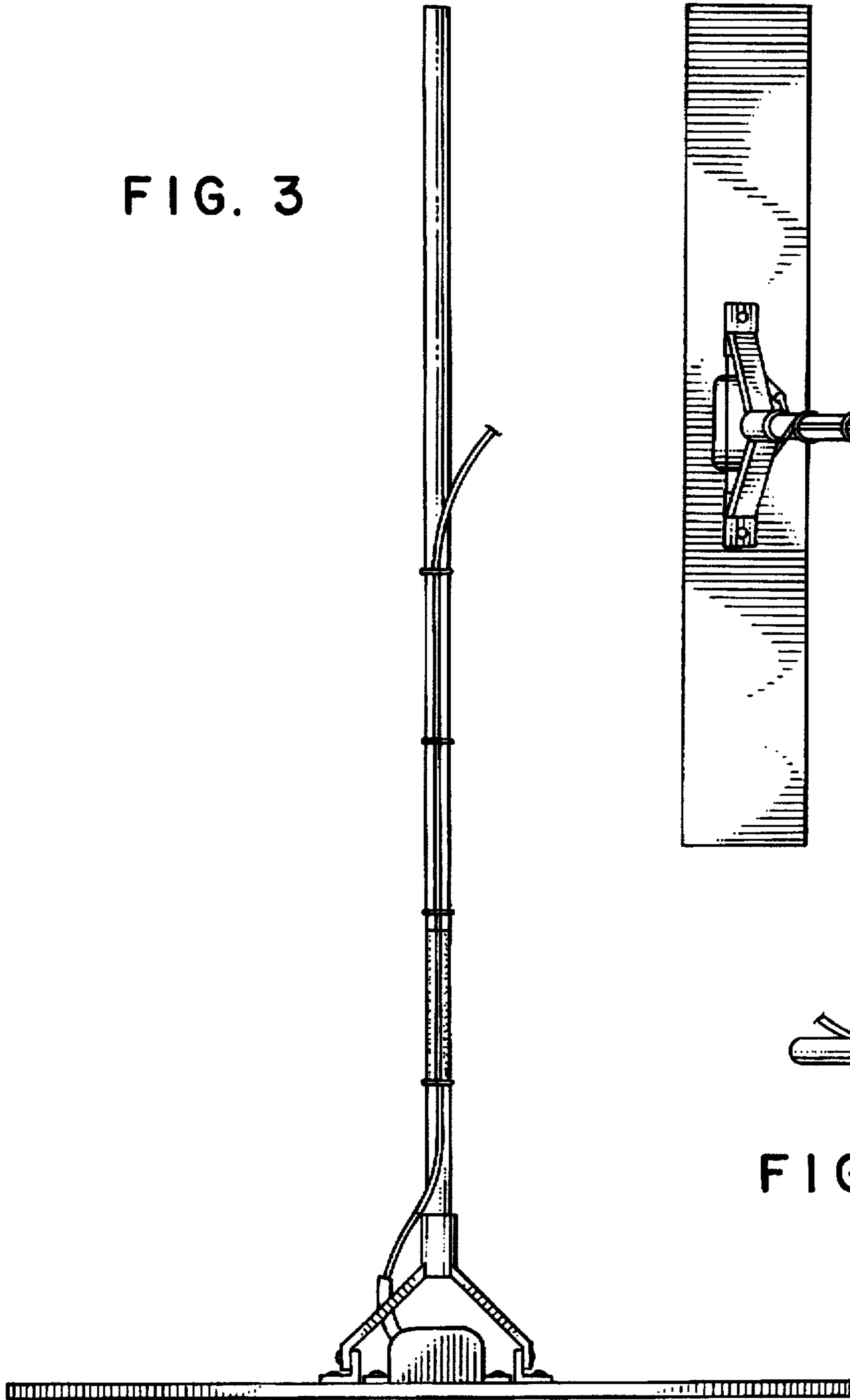


FIG. 4

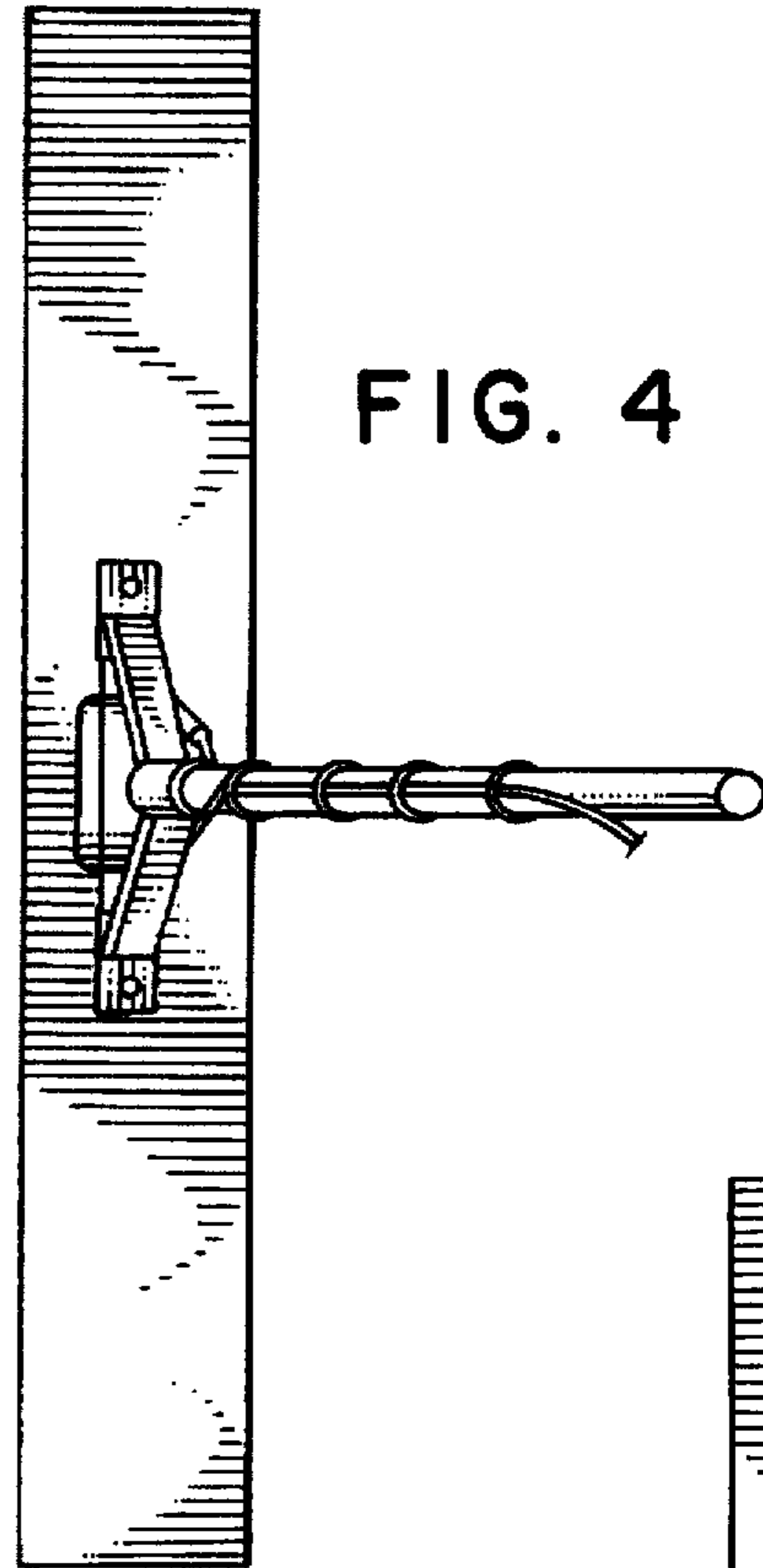


FIG. 5

