



US00D388298S

United States Patent [19]

Jerdee et al.

[11] Patent Number: **Des. 388,298**

[45] Date of Patent: ****Dec. 30, 1997**

[54] **HEAT GUN**

D. 297,397 8/1988 Pangani D8/29.1
5,612,849 3/1997 Prehodka et al. 392/385 X

[75] Inventors: **Jeffrey S. Jerdee**, Brooklyn Center;
Paul A. Piloni, Minneapolis; **Richard C. Schoenert**, Hopkins, all of Minn.

Primary Examiner—Antoine Duval Davis
Attorney, Agent, or Firm—Faegre & Benson

[73] Assignee: **Wagner Spray Tech Corporation**,
Minneapolis, Minn.

[57] **CLAIM**

The ornamental design for a heat gun, as shown.

[**] Term: **14 Years**

DESCRIPTION

[21] Appl. No.: **58,233**

FIG. 1 is a perspective view of the heat gun of the present invention with a strain relief and portion of a power cord shown in phantom;

[22] Filed: **Aug. 9, 1996**

FIG. 2 is a left hand side view thereof;

[51] LOC (6) Cl. **08-05**

[52] U.S. Cl. **D8/29.1**

[58] Field of Search D8/29.1; D28/13;
34/96-101; 219/368, 369, 370, 373, 385,
482, 497, 501, 507; 392/369, 383, 385,
384; 431/158, 347, 351, 352, 353

FIG. 3 is a right hand side view thereof;

FIG. 4 is a front view thereof;

FIG. 5 is a rear view thereof;

FIG. 6 is a top view thereof; and,

FIG. 7 is a bottom view thereof.

[56] **References Cited**

U.S. PATENT DOCUMENTS

D. 296,070 6/1988 Cunningham D8/29.1

1 Claim, 5 Drawing Sheets

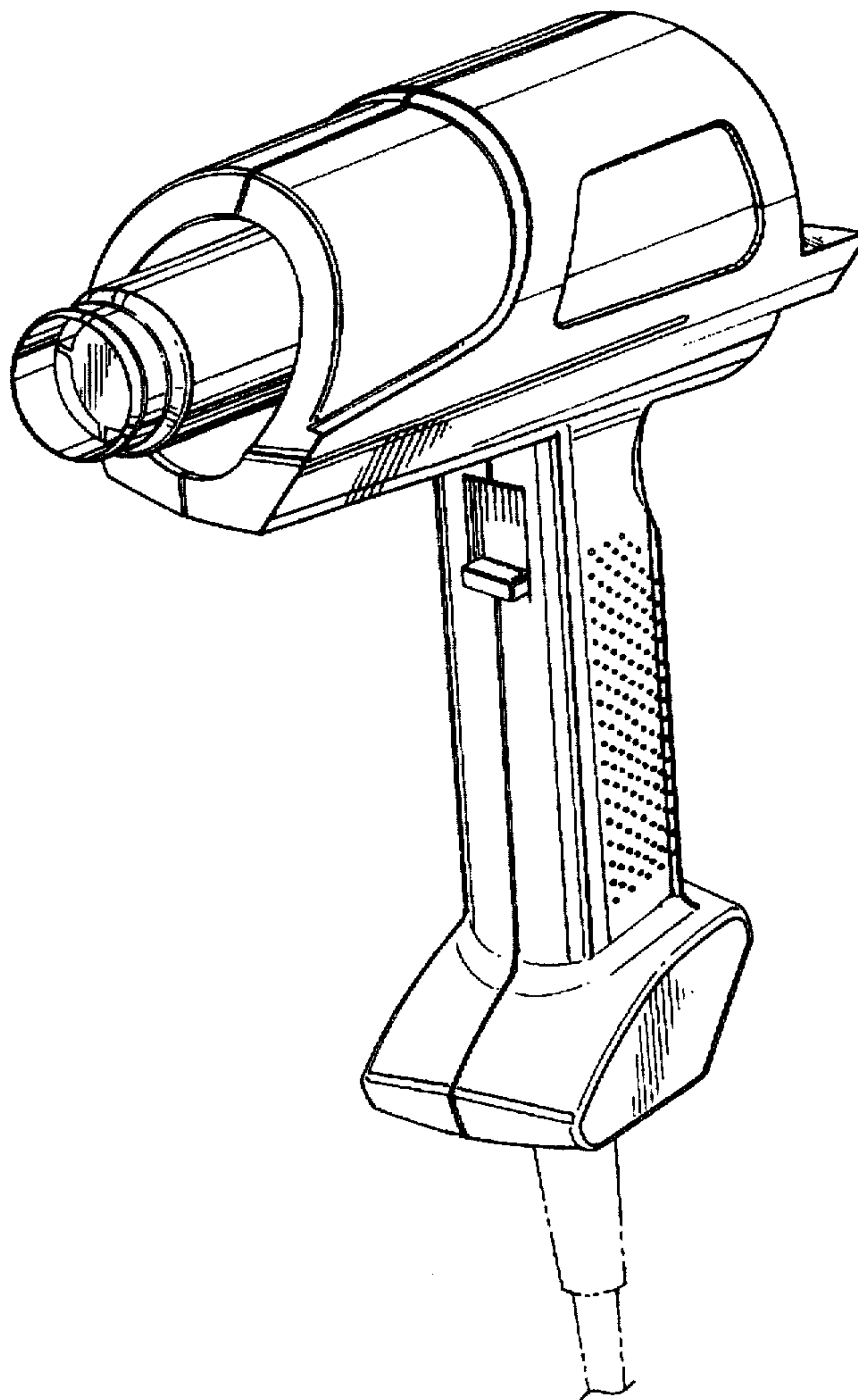


Fig. 1

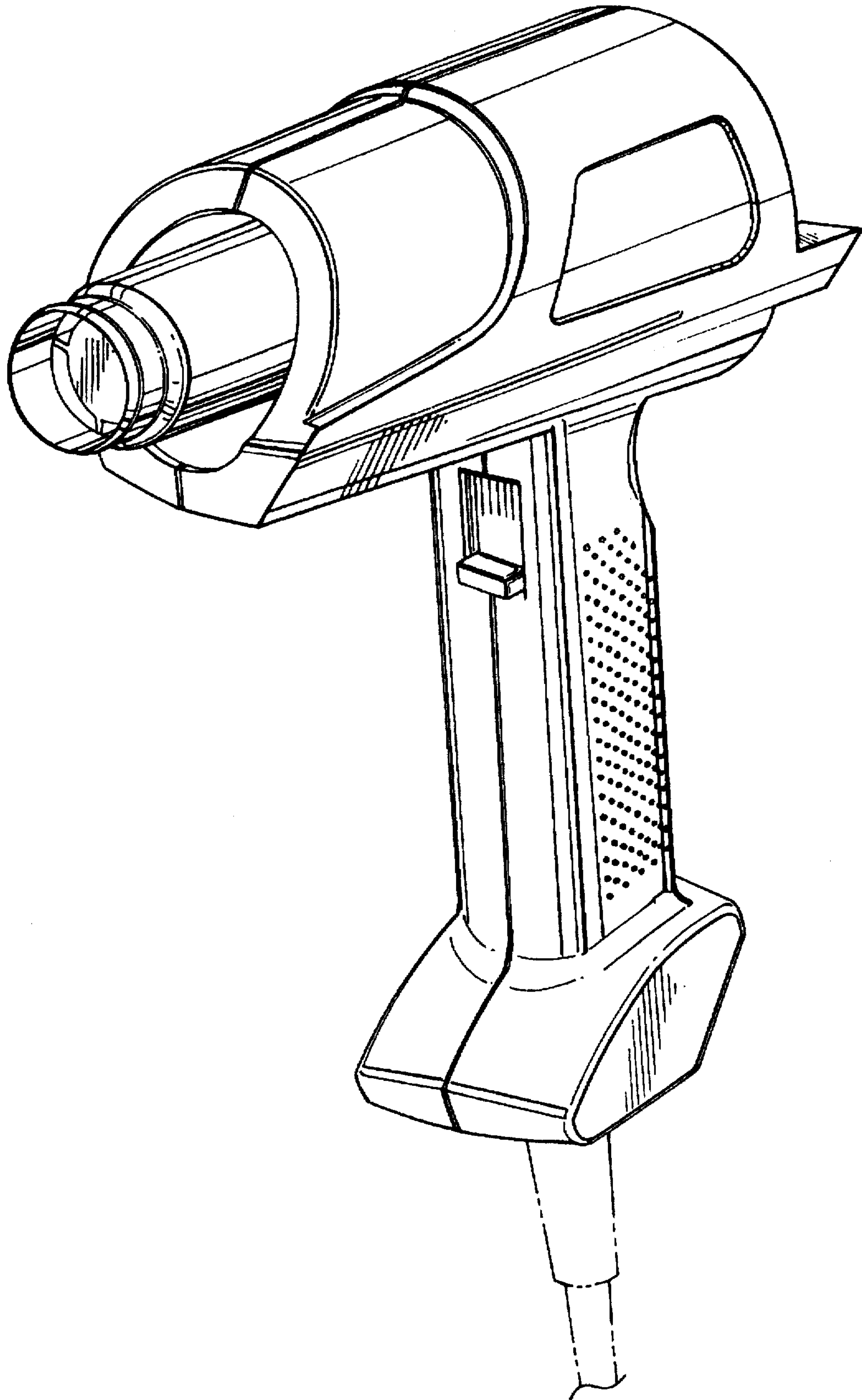


Fig. 2

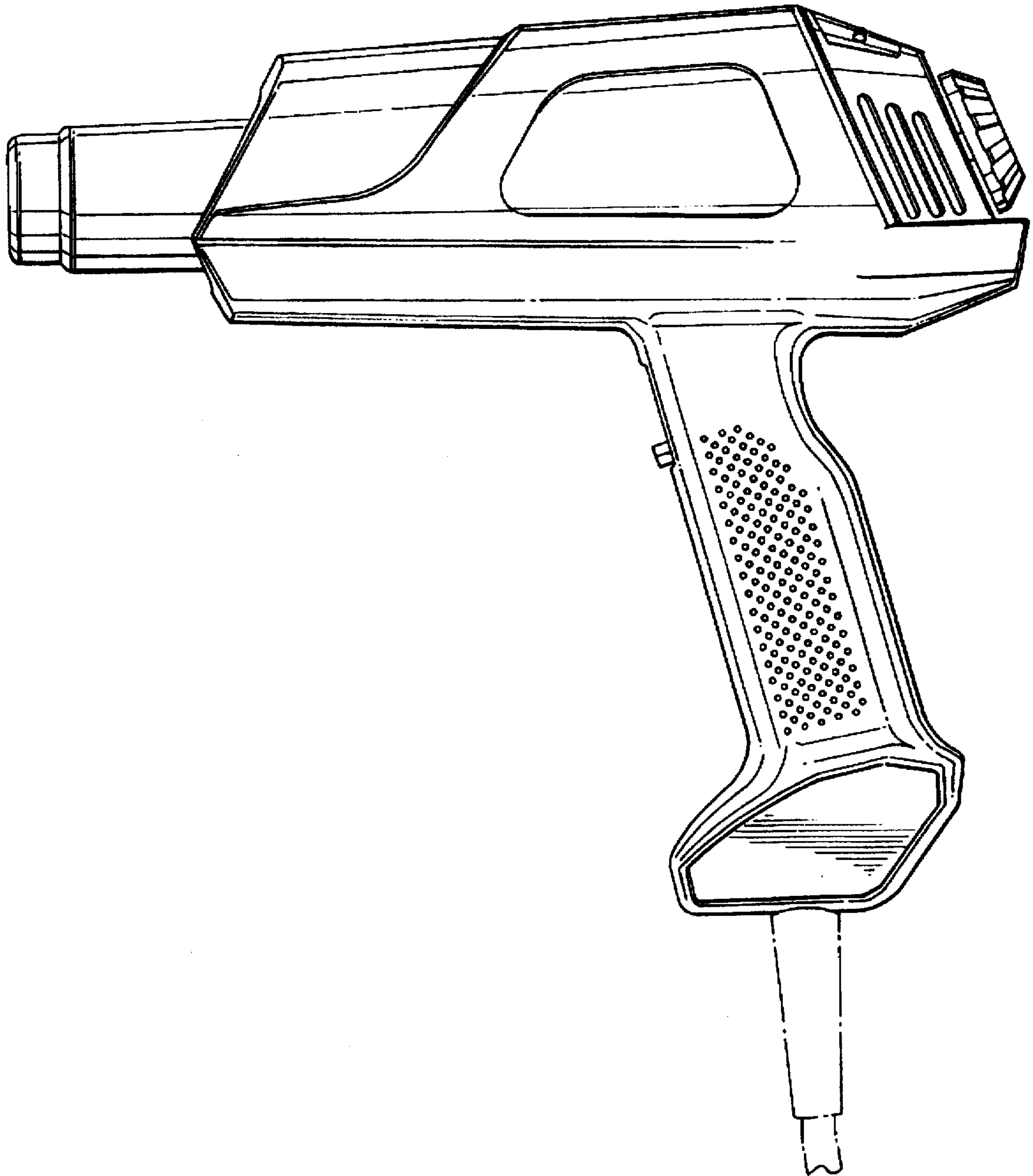


Fig. 3

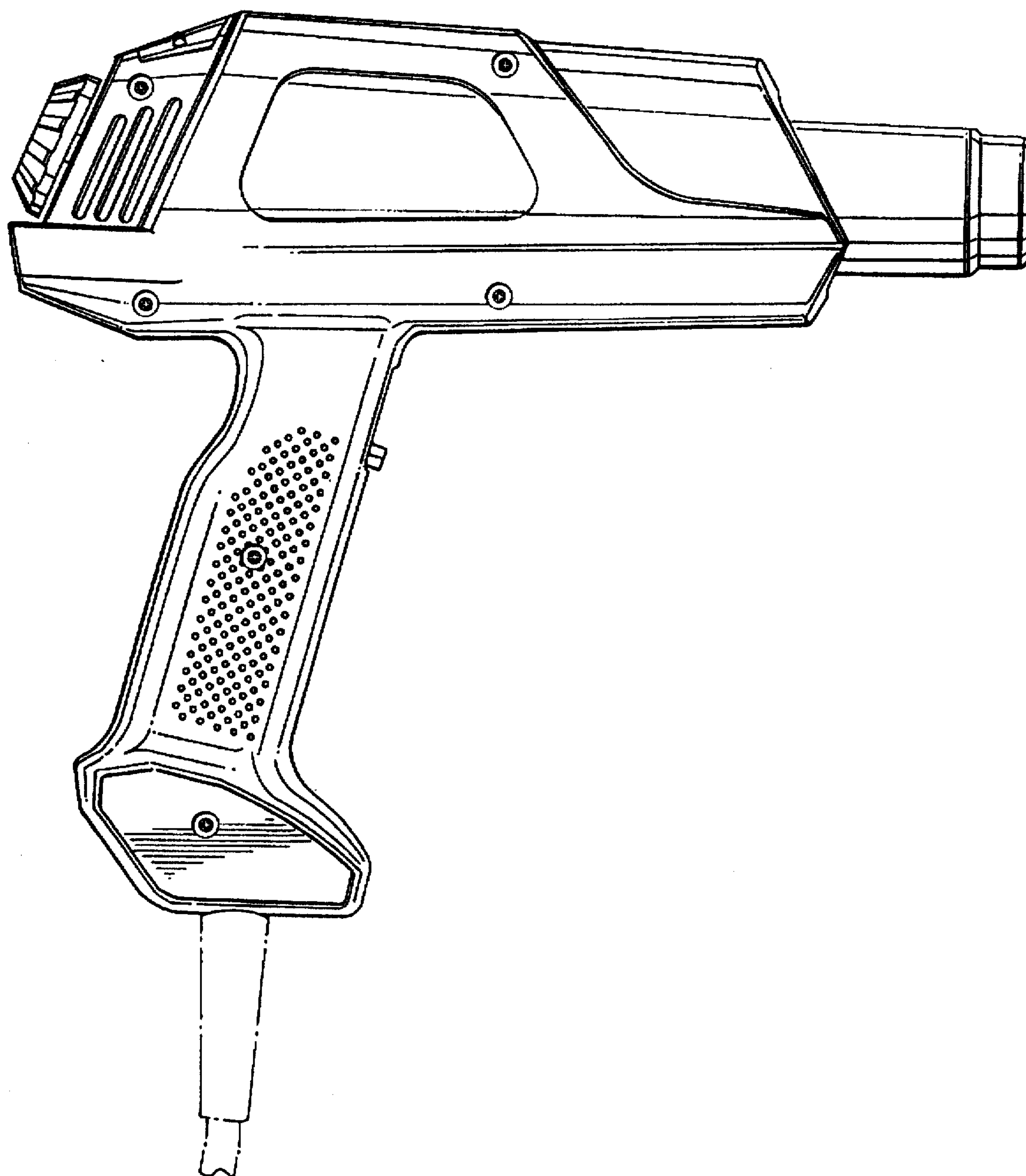


Fig. 4

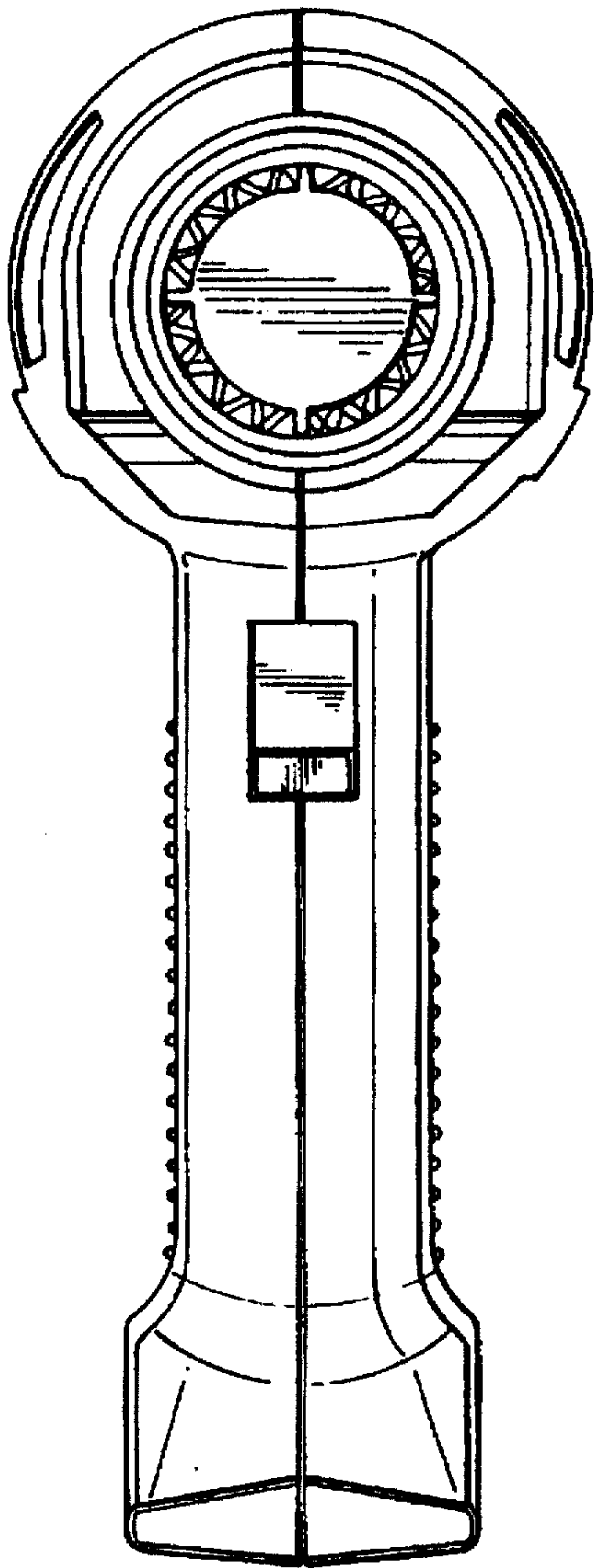


Fig. 5

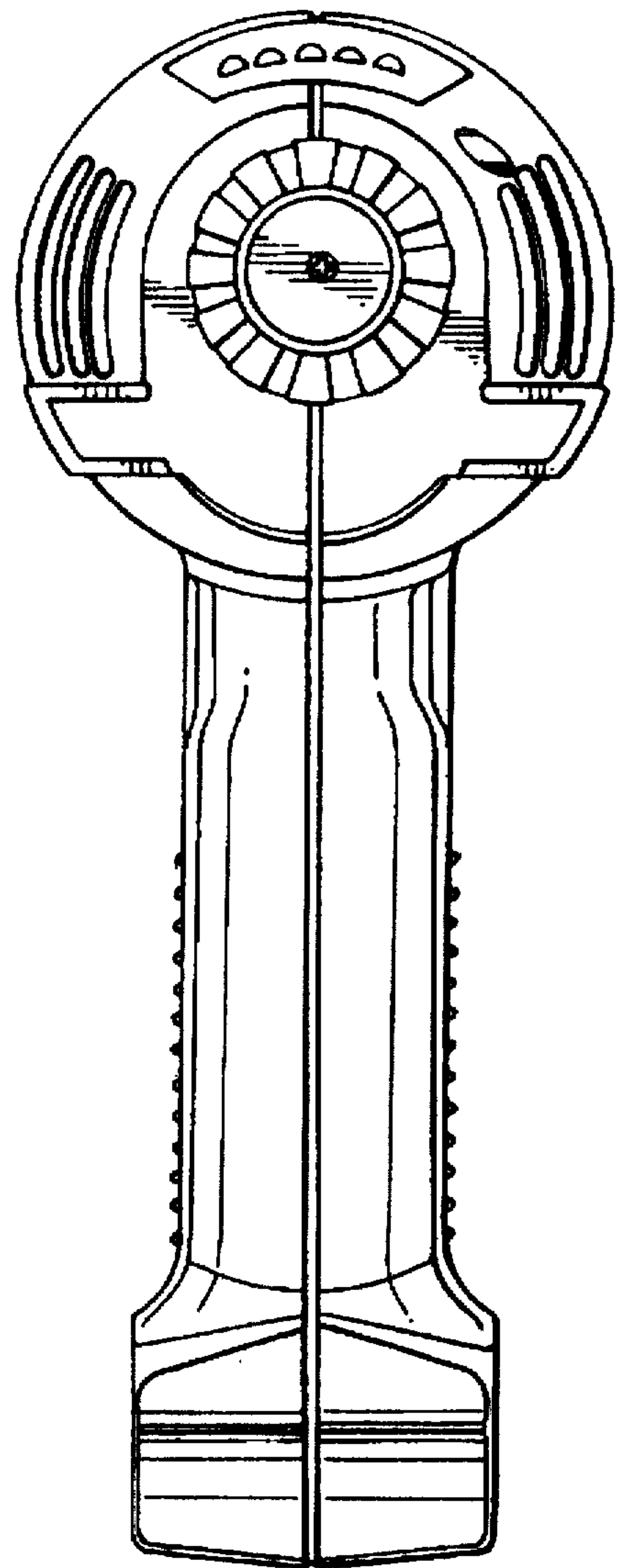


Fig. 6

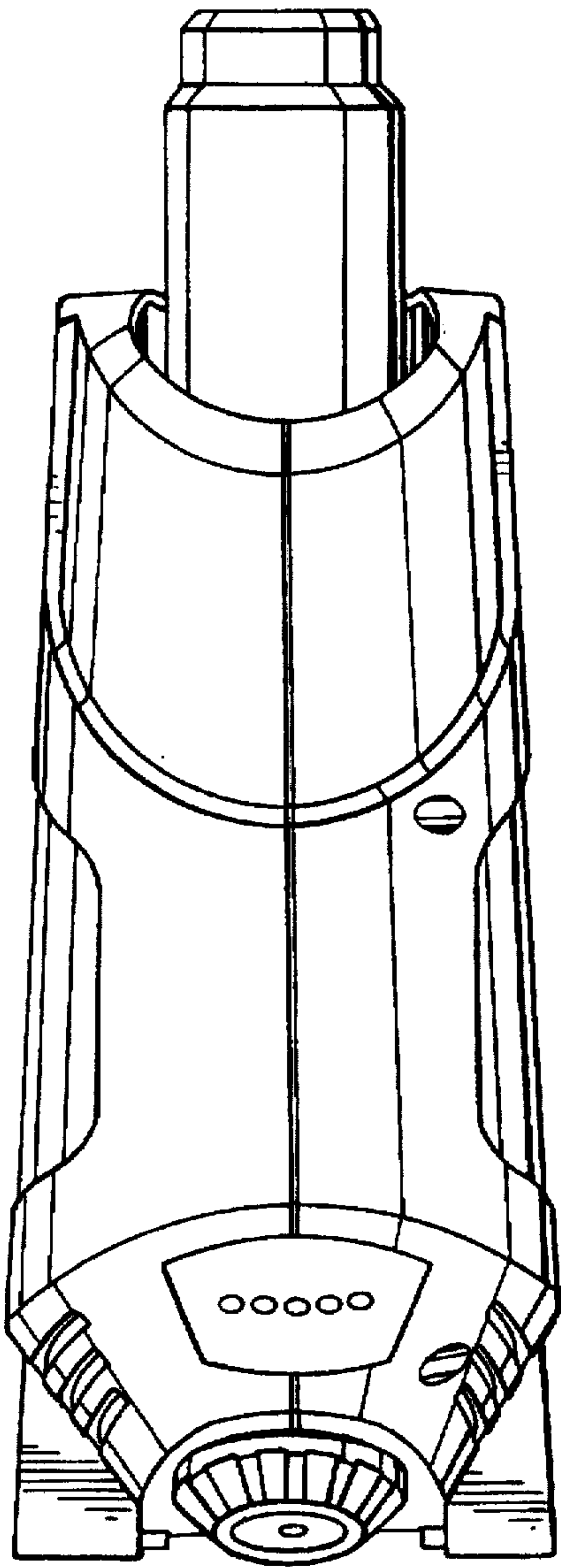


Fig. 7

