



US00D388290S

# United States Patent [19] Riccobene

[11] Patent Number: **Des. 388,290**

[45] Date of Patent: **\*\*Dec. 30, 1997**

[54] **GARDEN EDGER**

[76] Inventor: **Thomas S. Riccobene**, 532 Westgate La., NW., Albuquerque, N. Mex. 87107

[\*\*] Term: **14 Years**

[21] Appl. No.: **59,150**

[22] Filed: **Sep. 4, 1996**

[51] LOC (6) CL ..... **08-01**

[52] U.S. Cl. .... **D8/1; D8/113**

[58] Field of Search ..... **D8/1, 354, 356, D8/382, 384, 394; D25/35, 113, 118, 131, 133, 164, 199; 47/23, 33, 41.14; 52/102, 103, 155, 156, 590.2, 653.2; 403/65, 93, 169, 170, 205, 217, 381**

[56] **References Cited**

**U.S. PATENT DOCUMENTS**

3,373,668	3/1968	Moore et al.	47/33 X
4,128,357	12/1978	Barth et al.	
4,326,817	4/1982	Boiardi	
4,544,305	10/1985	Hair	
5,080,523	1/1992	Steiner	
5,119,587	6/1992	Waltz	47/33
5,173,003	12/1992	Hair	
5,186,574	2/1993	Tavares	
5,259,154	11/1993	Lilley	47/33

**FOREIGN PATENT DOCUMENTS**

004137814 A 5/1993 Germany ..... 47/33

**OTHER PUBLICATIONS**

Sweets General Building and Renovation Catalog Anchor 04200/anc-Buyline 6518 p. 11; Holland-Stone top of page & Anchor Cobble right side of page, 1994.

Brochure entitled "Pavestone Co. Modulare Concrete Beauty" (dated 1992) distributed by LPS Pavement Company showing photographs and drawings for decorative concrete landscaping.

*Primary Examiner*—Caron D. Veynar

*Attorney, Agent, or Firm*—Kevin Lynn Wildenstein, Esq.

[57] **CLAIM**

The ornamental design for the garden edger, as shown.

**DESCRIPTION**

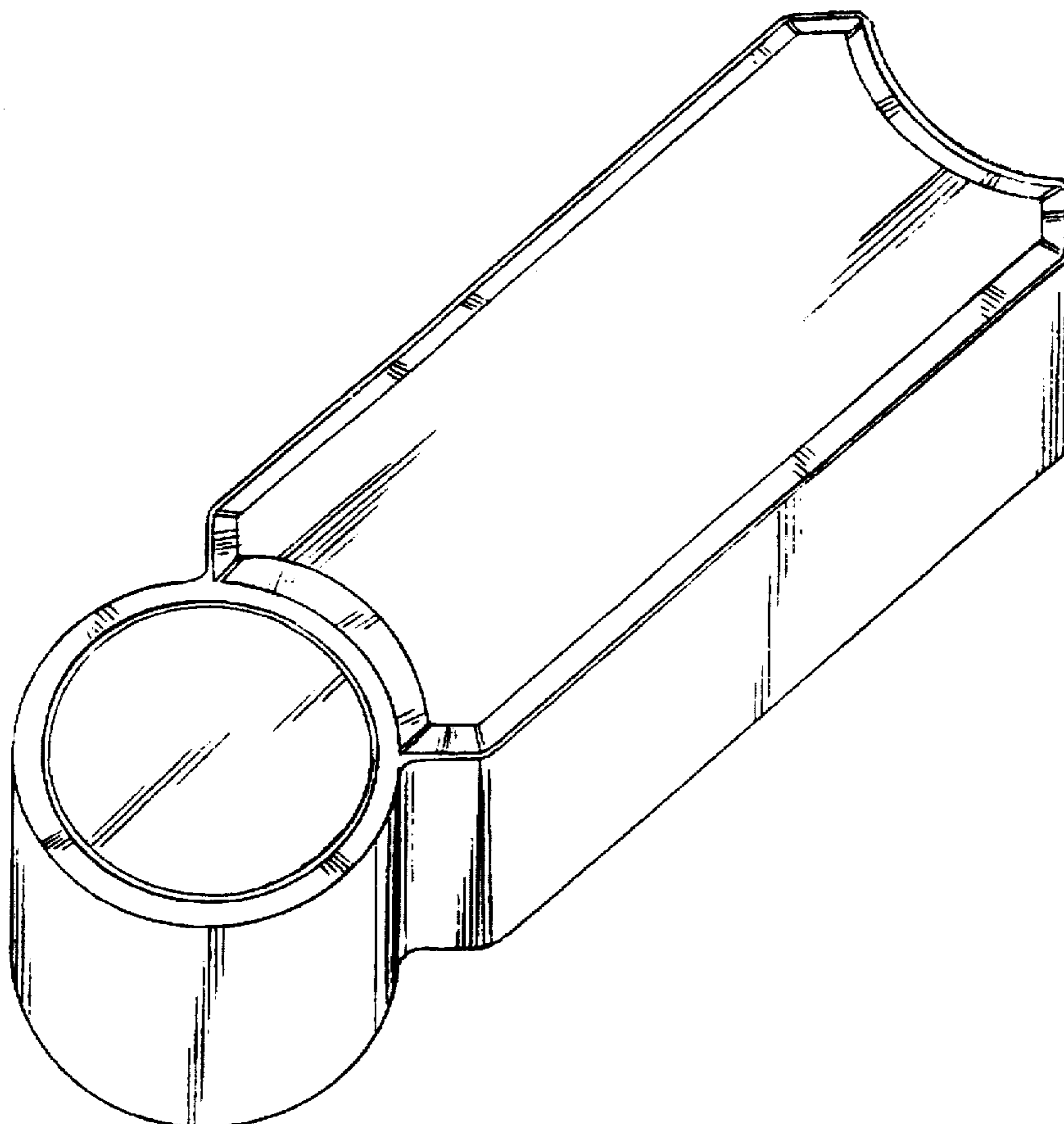
FIG. 1 is a front top perspective view of my ornamental design;

FIG. 2 is a rear top perspective view of my ornamental design shown in FIG. 1;

FIG. 3 is a bottom perspective view of my ornamental design shown in FIG. 2;

FIG. 4 is a top plan view of my ornamental design; and, FIG. 5 is a bottom plan view of my ornamental design.

**1 Claim, 5 Drawing Sheets**



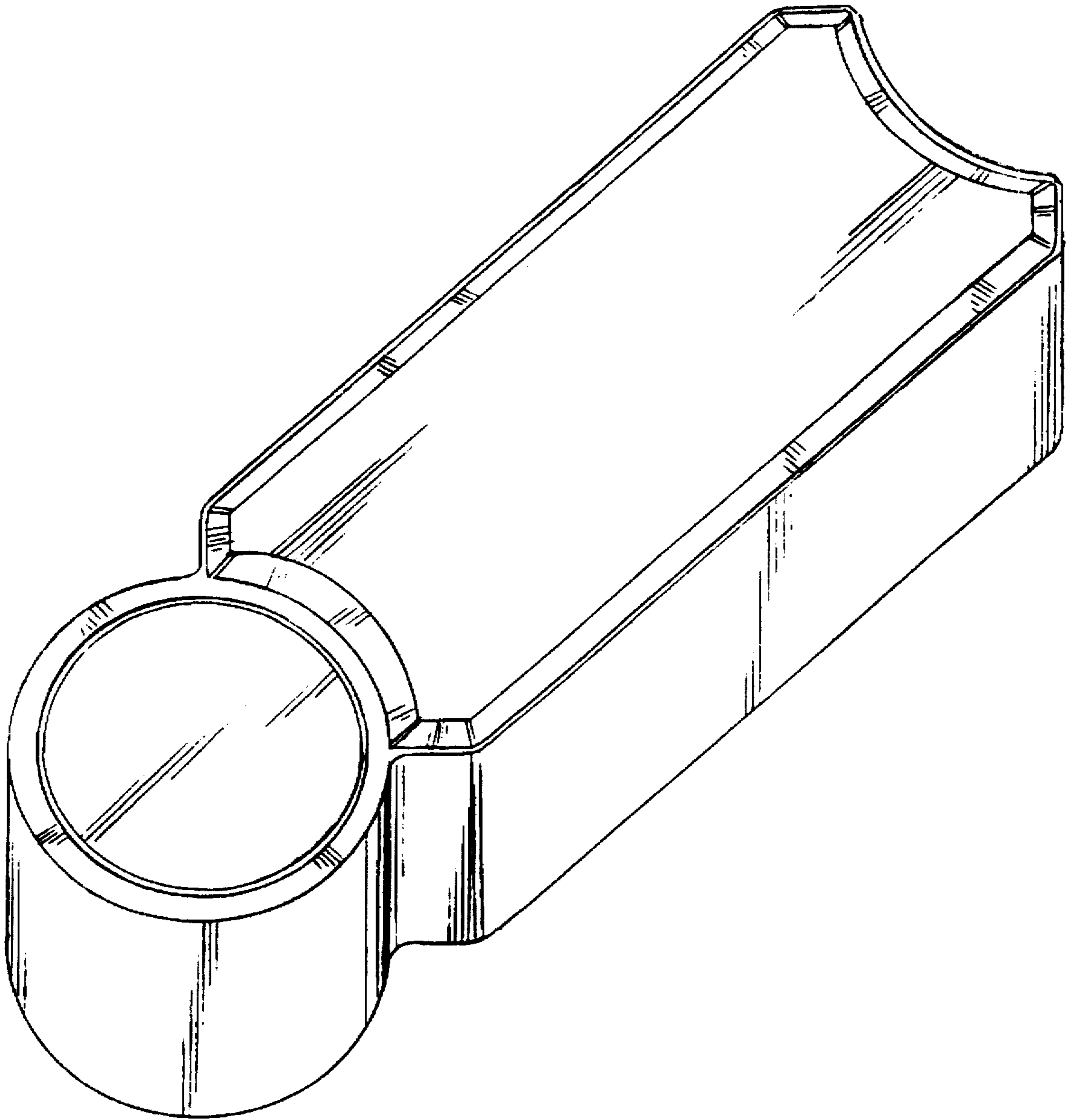


FIG-1

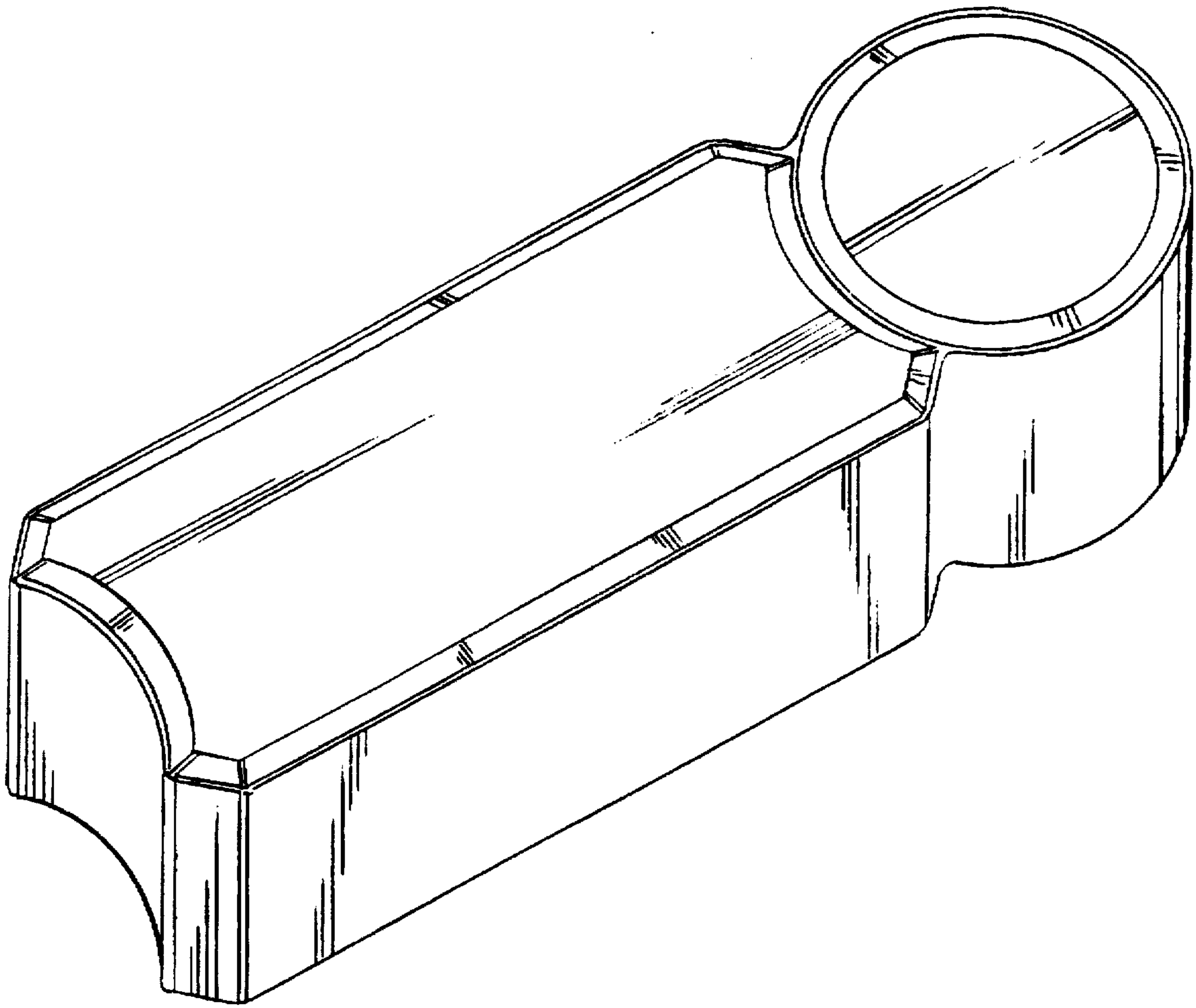


FIG-2

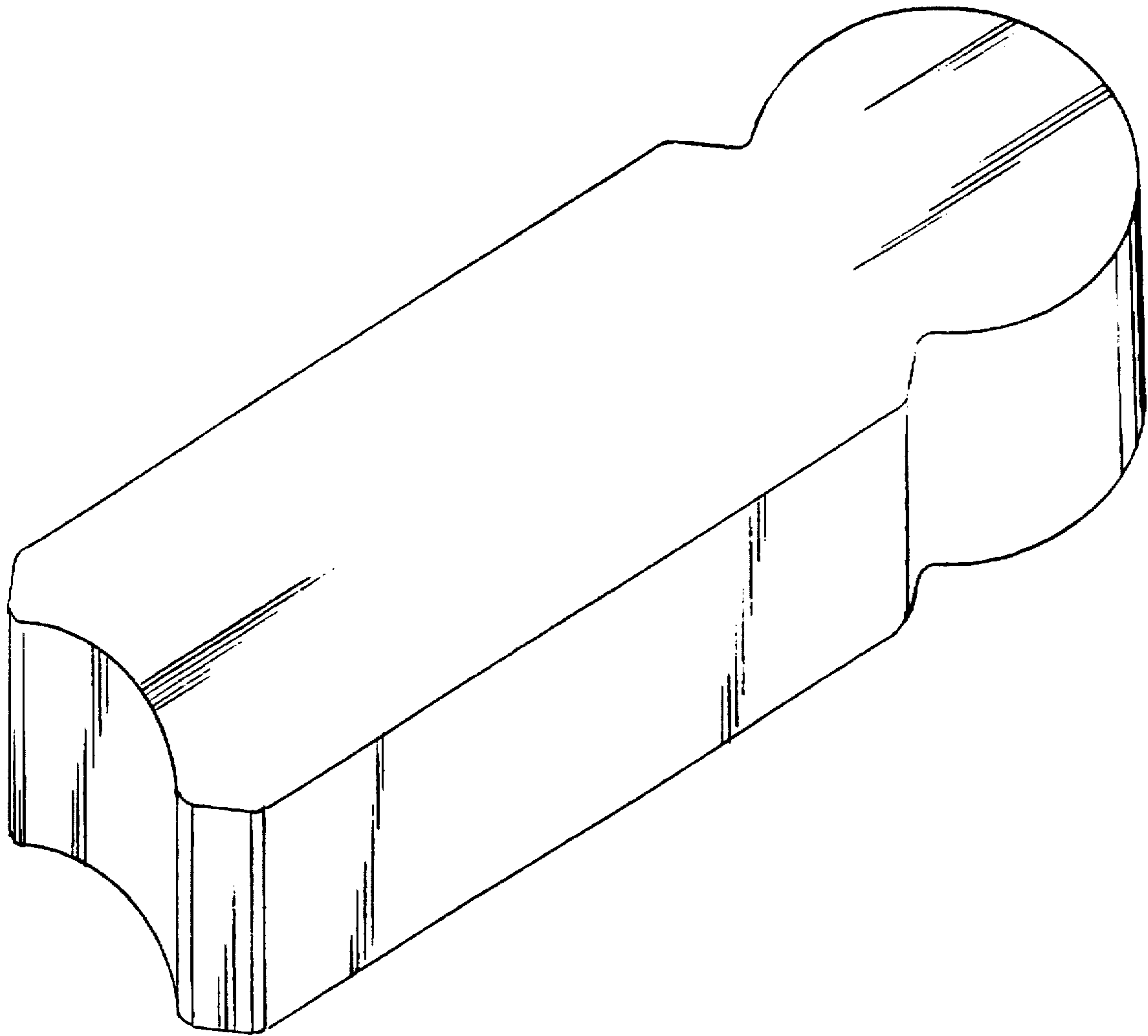


FIG-3

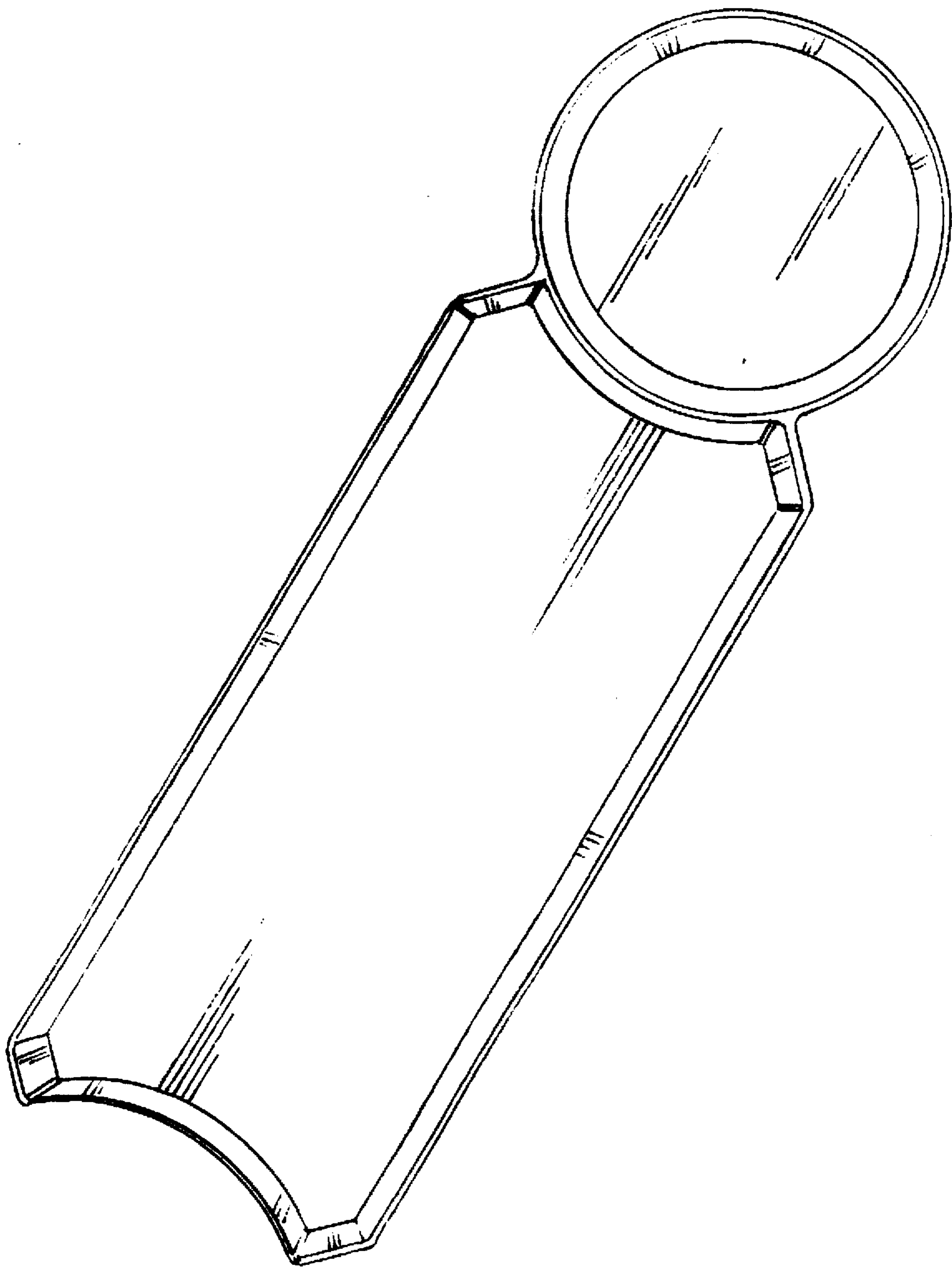


FIG-4

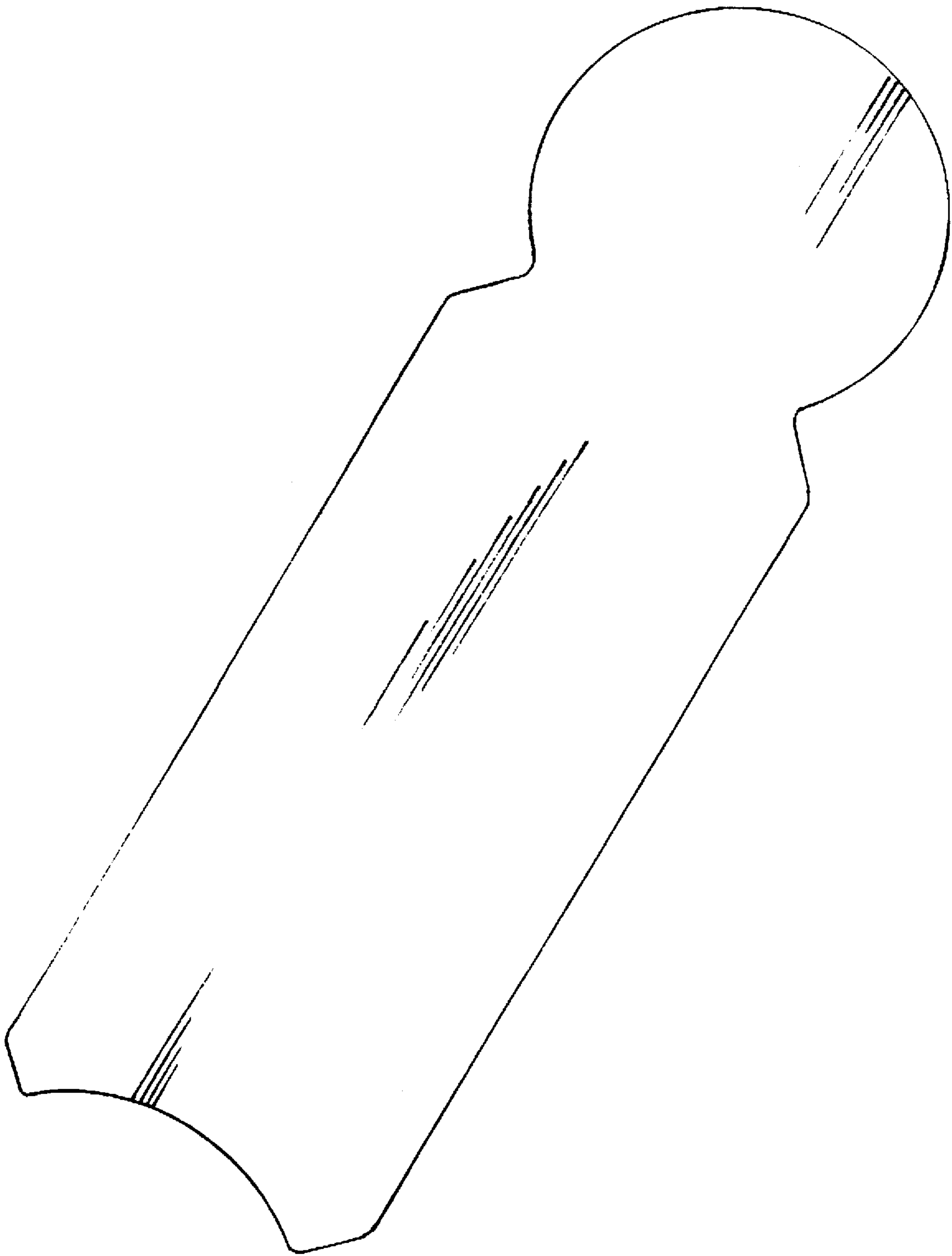


FIG-5