



US00D388289S

United States Patent [19]

[11] Patent Number: **Des. 388,289**

Denison et al.

[45] Date of Patent: ****Dec. 30, 1997**

[54] **SWIVEL BLADE SPATULA**

Primary Examiner—Terry A. Wallace
Attorney, Agent, or Firm—Harold H. Dutton, Jr.

[76] Inventors: **George Denison; Jeanette Denison,**
both of 15897 Vassar Ave., San
Lorenzo, Calif. 94580

[57] **CLAIM**

[**] Term: **14 Years**

The ornamental design for a swivel blade spatula, as shown and described.

[21] Appl. No.: **59,406**

DESCRIPTION

[22] Filed: **Sep. 10, 1996**

FIG. 1 is a perspective view of a swivel blade spatula showing our new design;

[51] LOC (6) CL. **07-02**

FIG. 2 is a right side view thereof;

[52] U.S. Cl. **D7/692**

FIG. 3 is a left side view thereof;

[58] Field of Search **D7/688-692; 294/7, 294/8, 55**

FIG. 4 is a top view thereof;

FIG. 5 is a bottom view thereof;

FIG. 6 is a front view thereof;

[56] **References Cited**

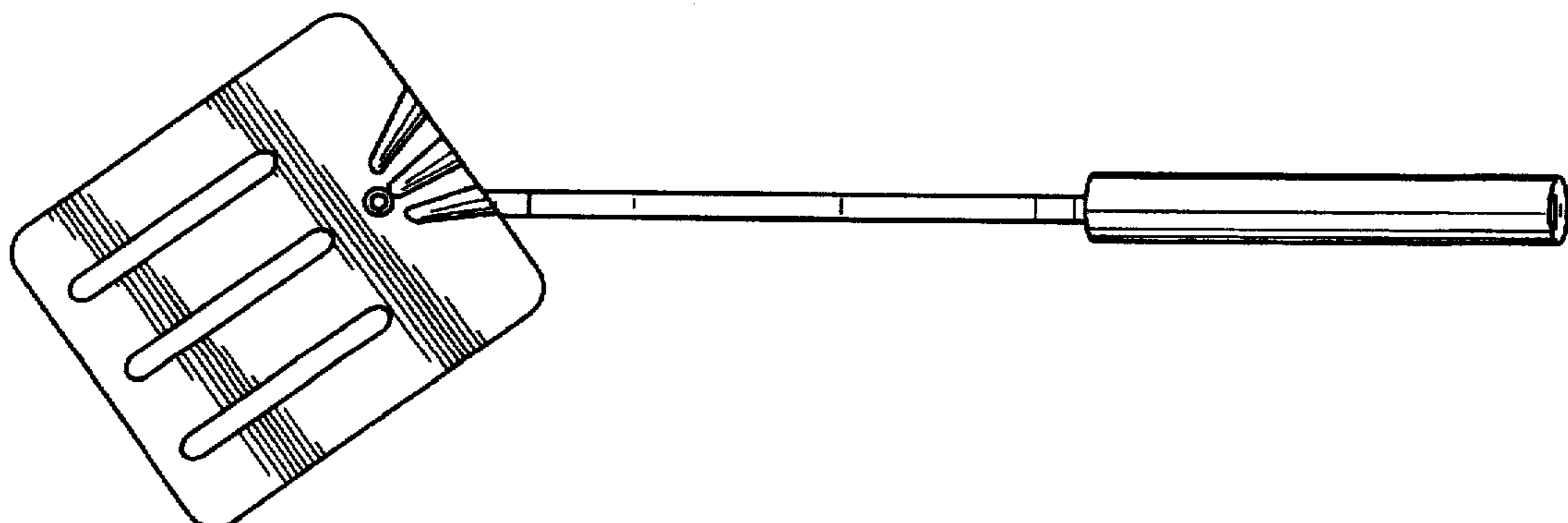
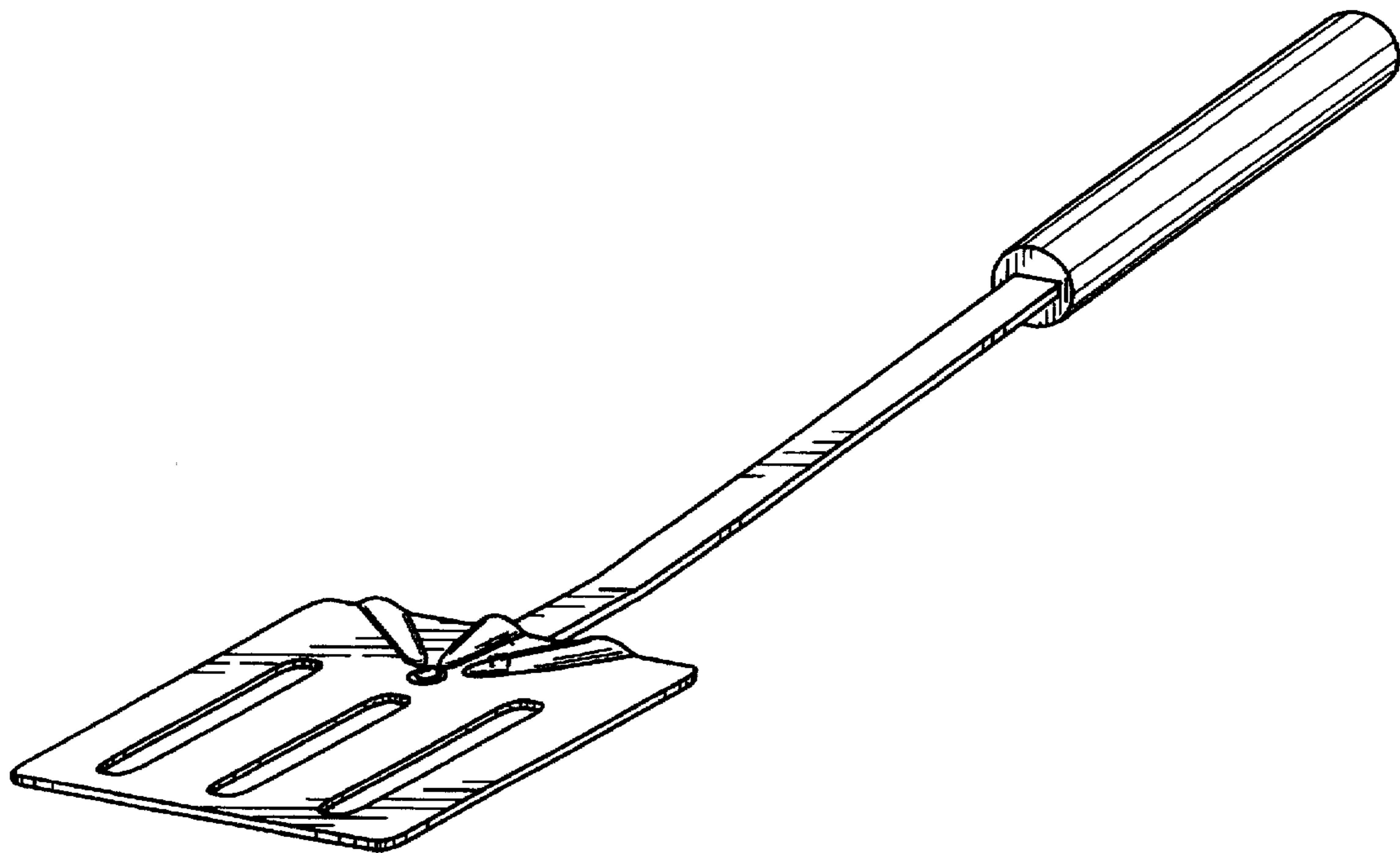
U.S. PATENT DOCUMENTS

FIG. 7 is a rear view thereof; and,

FIG. 8 is a top plan view showing the blade in a different position.

- D. 285,831 9/1986 Warnke D7/691 X
- D. 293,295 12/1987 Johnson D7/688
- D. 306,115 2/1990 Zimmerman D7/692 X

1 Claim, 5 Drawing Sheets



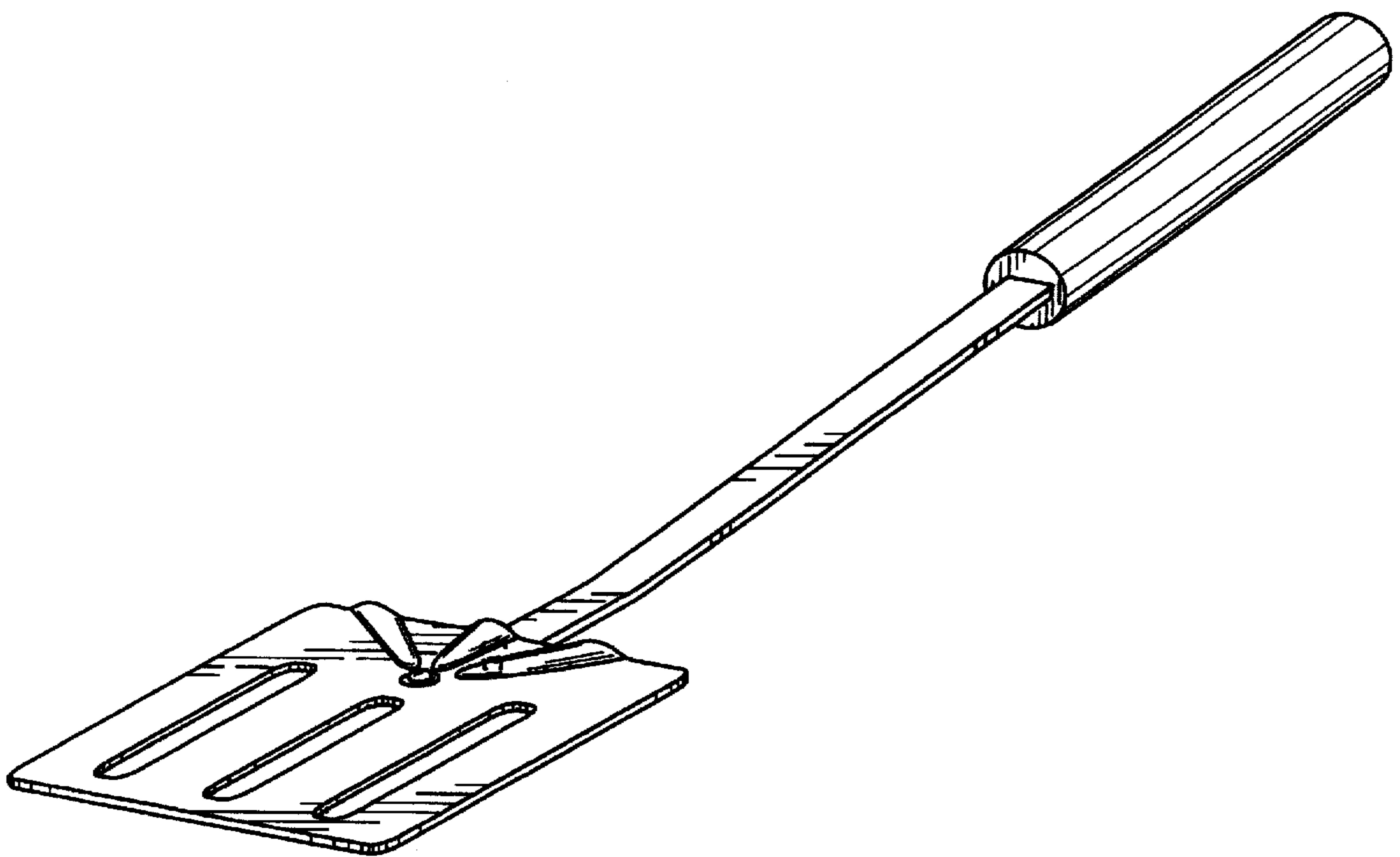


FIG. 1

FIG. 2

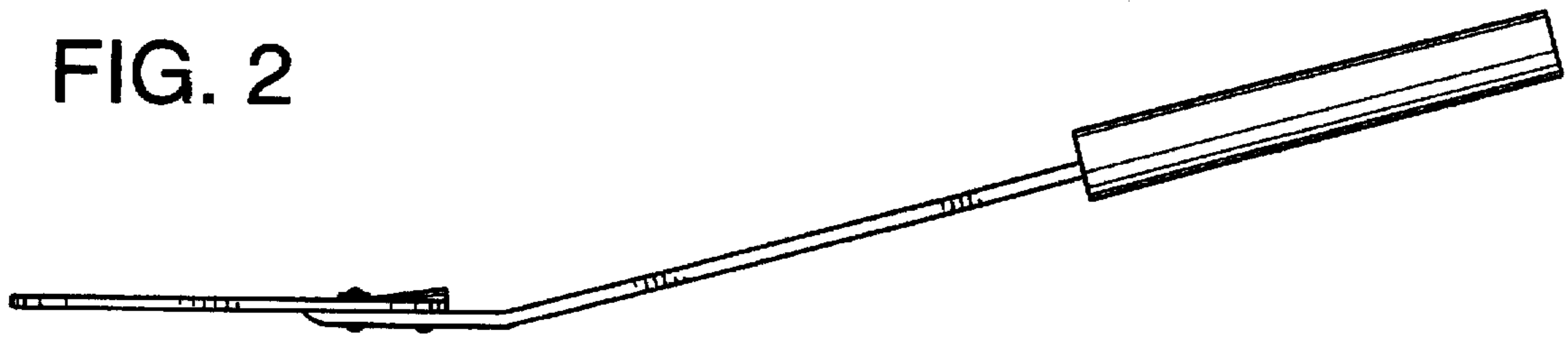
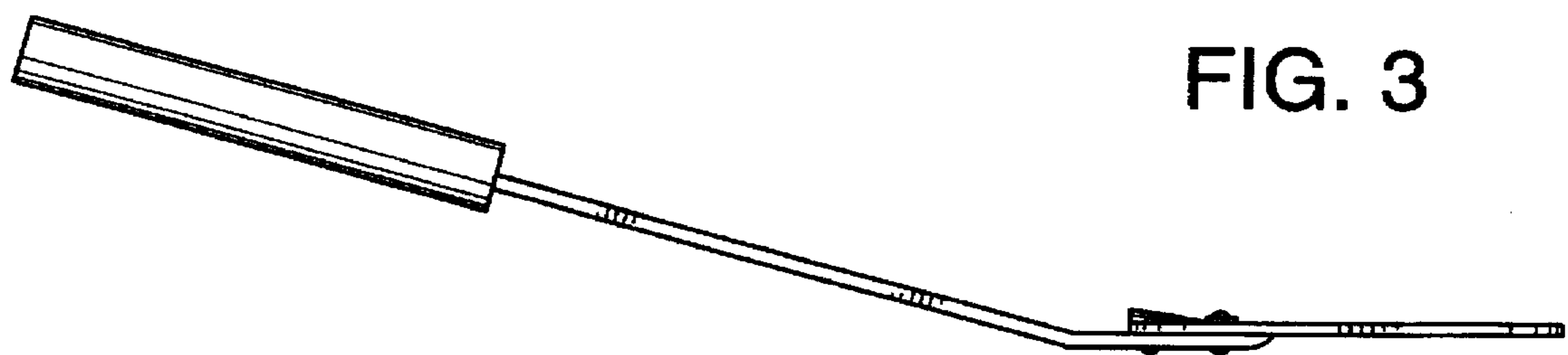


FIG. 3



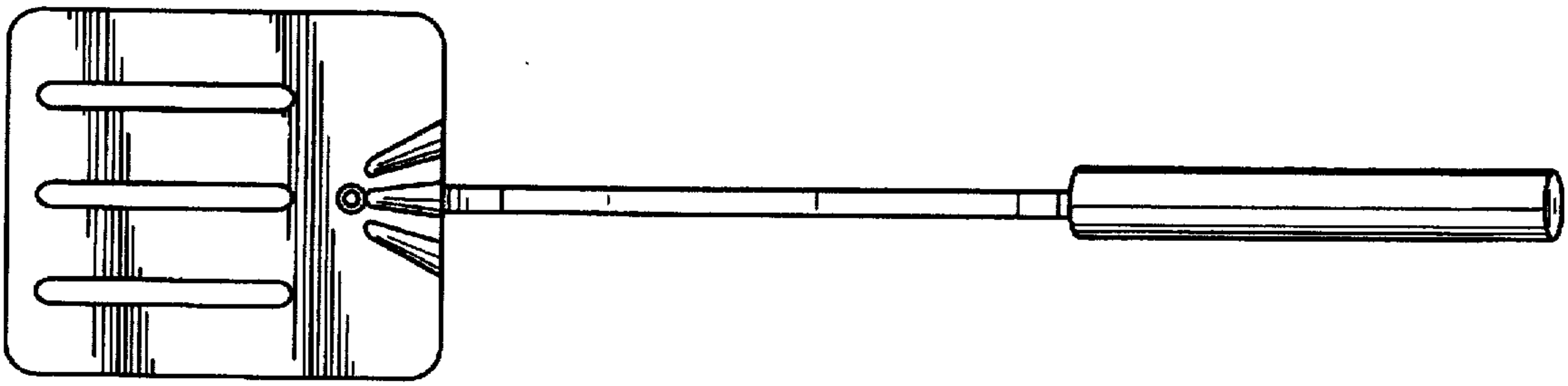


FIG. 4

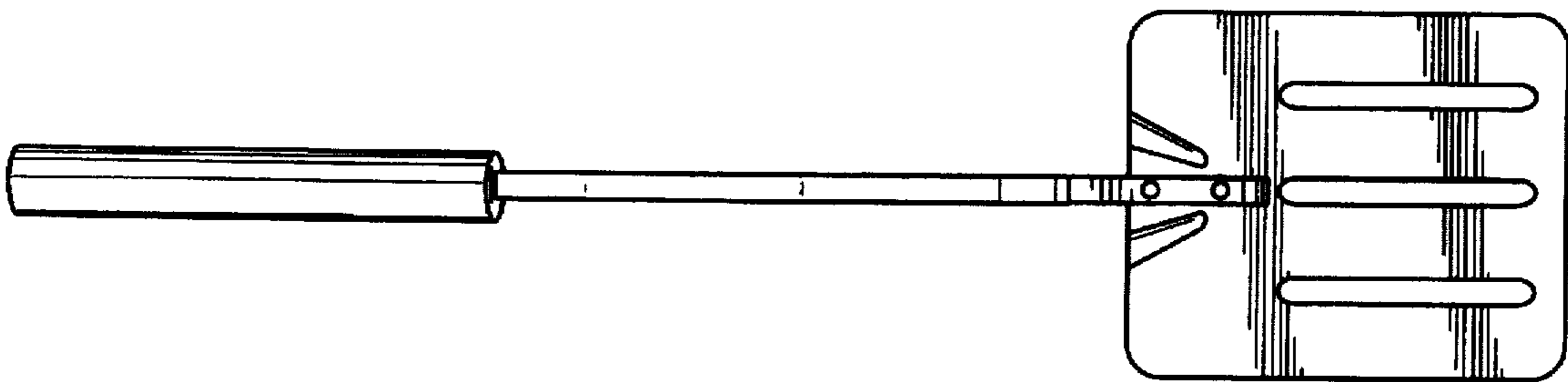


FIG. 5

FIG. 6

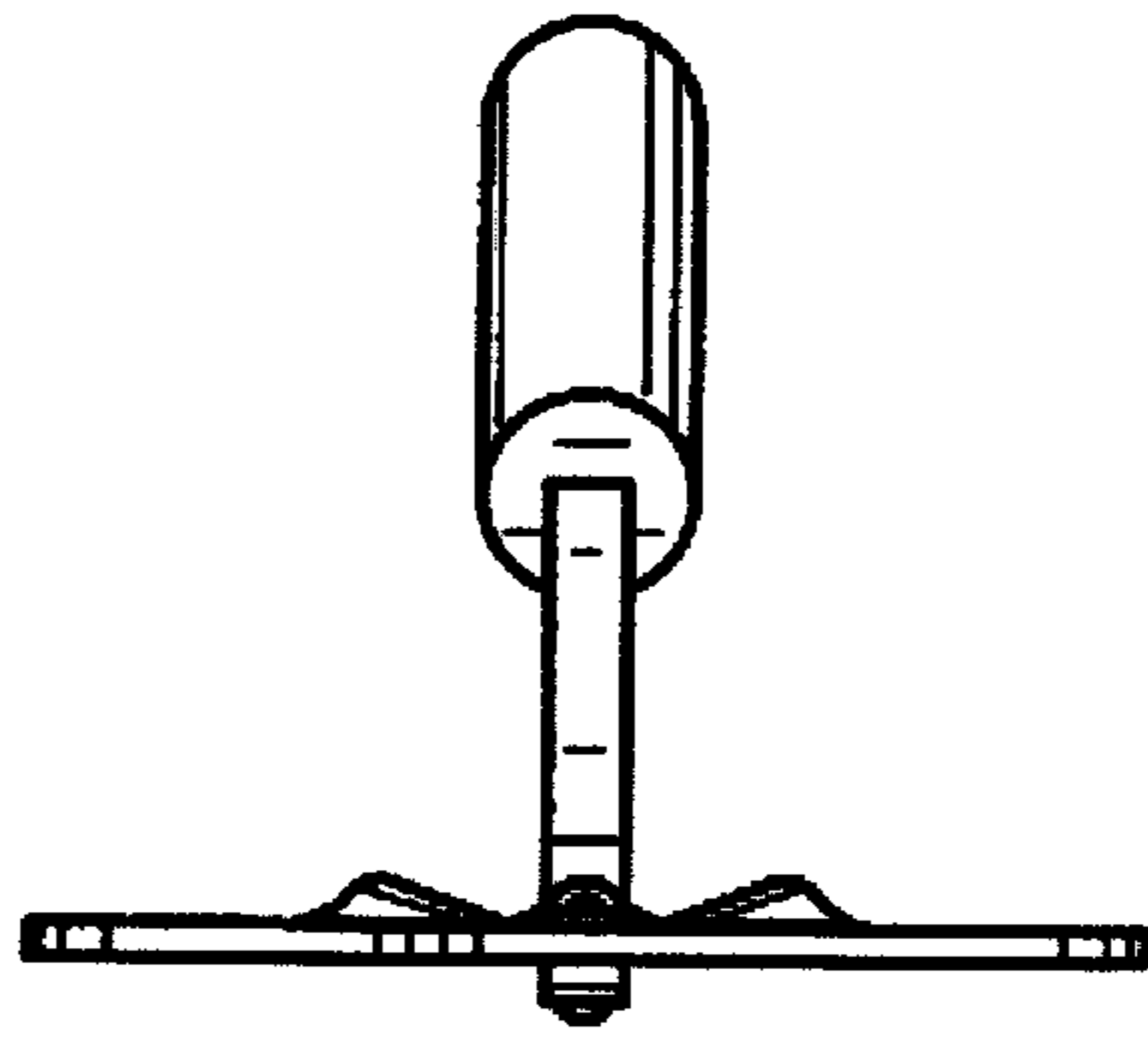
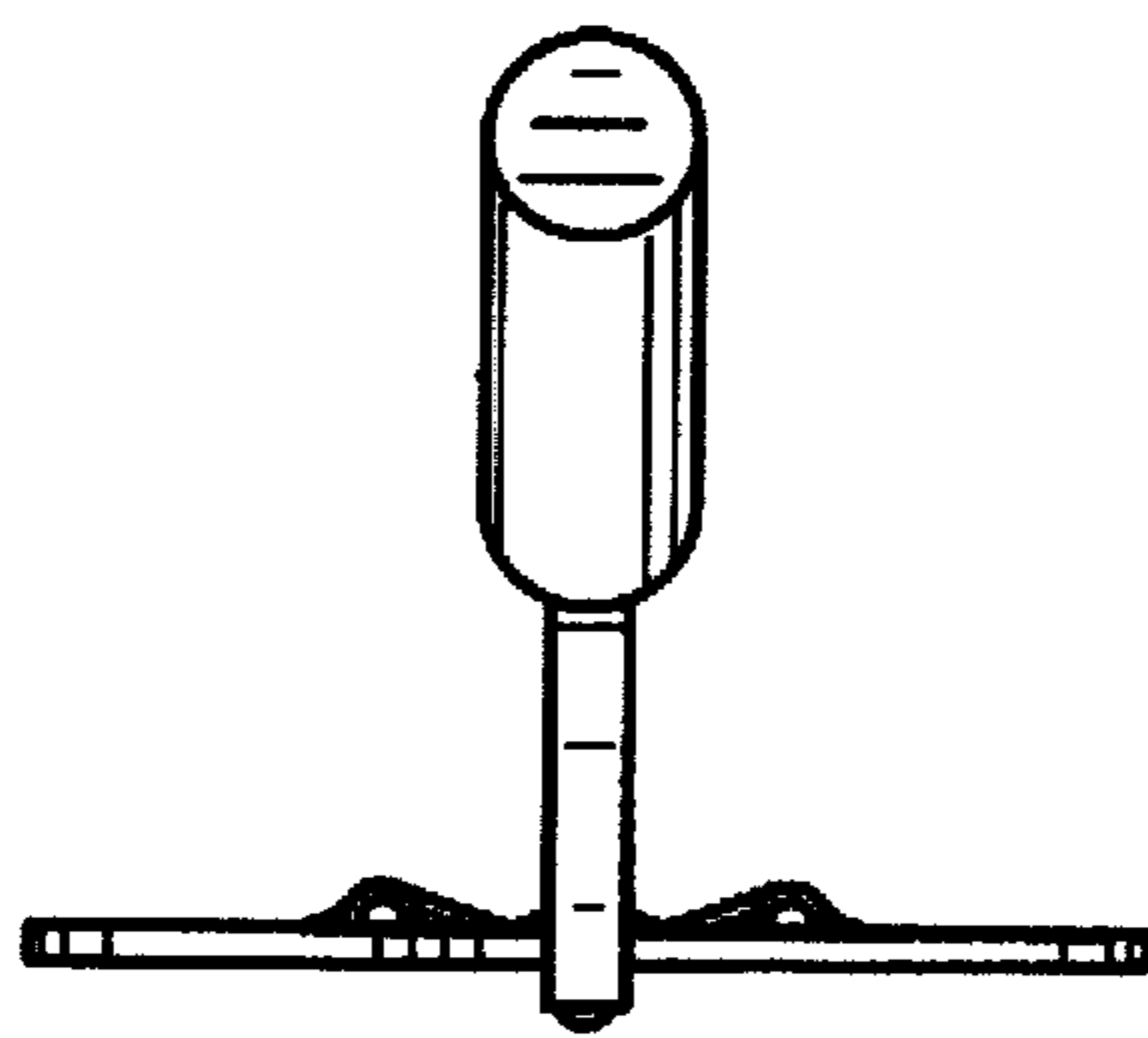


FIG. 7



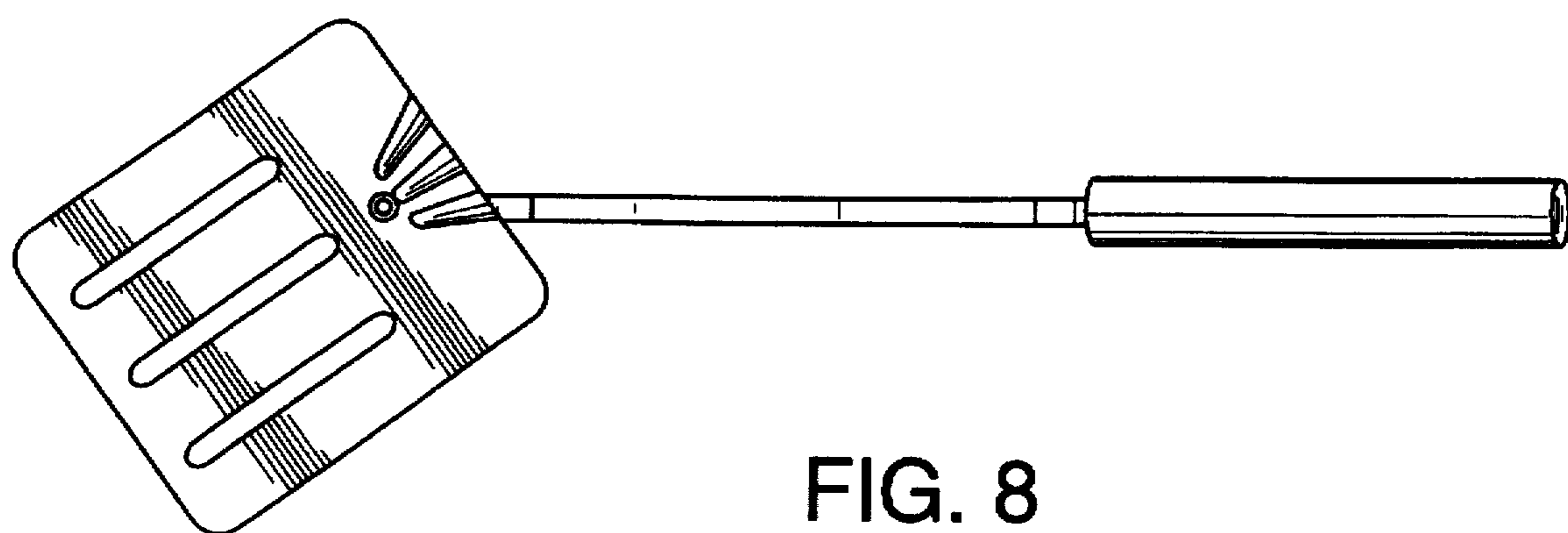


FIG. 8