



US00D388283S

United States Patent [19] Bencker

[11] Patent Number: **Des. 388,283**
[45] Date of Patent: ****Dec. 30, 1997**

[54] **HOLDER FOR A DRINK CONTAINER**

[76] Inventor: **Jody J. Bencker**, 1953 Arborcrest Rd.,
Moscow, Id. 83843

[**] Term: **14 Years**

[21] Appl. No.: **61,182**

[22] Filed: **Oct. 17, 1996**

[51] LOC (6) Cl. **07-06**

[52] U.S. Cl. **D7/622**

[58] Field of Search D7/619-622; 215/395,
215/396; 211/71, 74; 220/737, 738, 710.5;
248/311.2; D12/411, 419

[56] **References Cited**

U.S. PATENT DOCUMENTS

D. 290,571 6/1987 Rowe D7/622
4,653,289 3/1987 Hodgetts 62/239
4,779,831 10/1988 Anderson 248/311.2

4,852,843 8/1989 Chandler 248/311.2
4,892,137 1/1990 Bibik 165/80.1
5,165,646 11/1992 Gewecke 248/311.2
5,181,555 1/1993 Chruniak 165/41

Primary Examiner—Terry A. Wallace
Attorney, Agent, or Firm—David S. Thompson

[57] **CLAIM**

The ornamental design for a holder for a drink container, as shown and described.

DESCRIPTION

FIG. 1 is a front elevation view of a holder for a drink container showing my new design; FIG. 2 is a rear elevation view thereof; FIG. 3 is a side elevation view thereof; FIG. 4 is a top plan view thereof; and, FIG. 5 is a bottom plan view thereof.

1 Claim, 2 Drawing Sheets

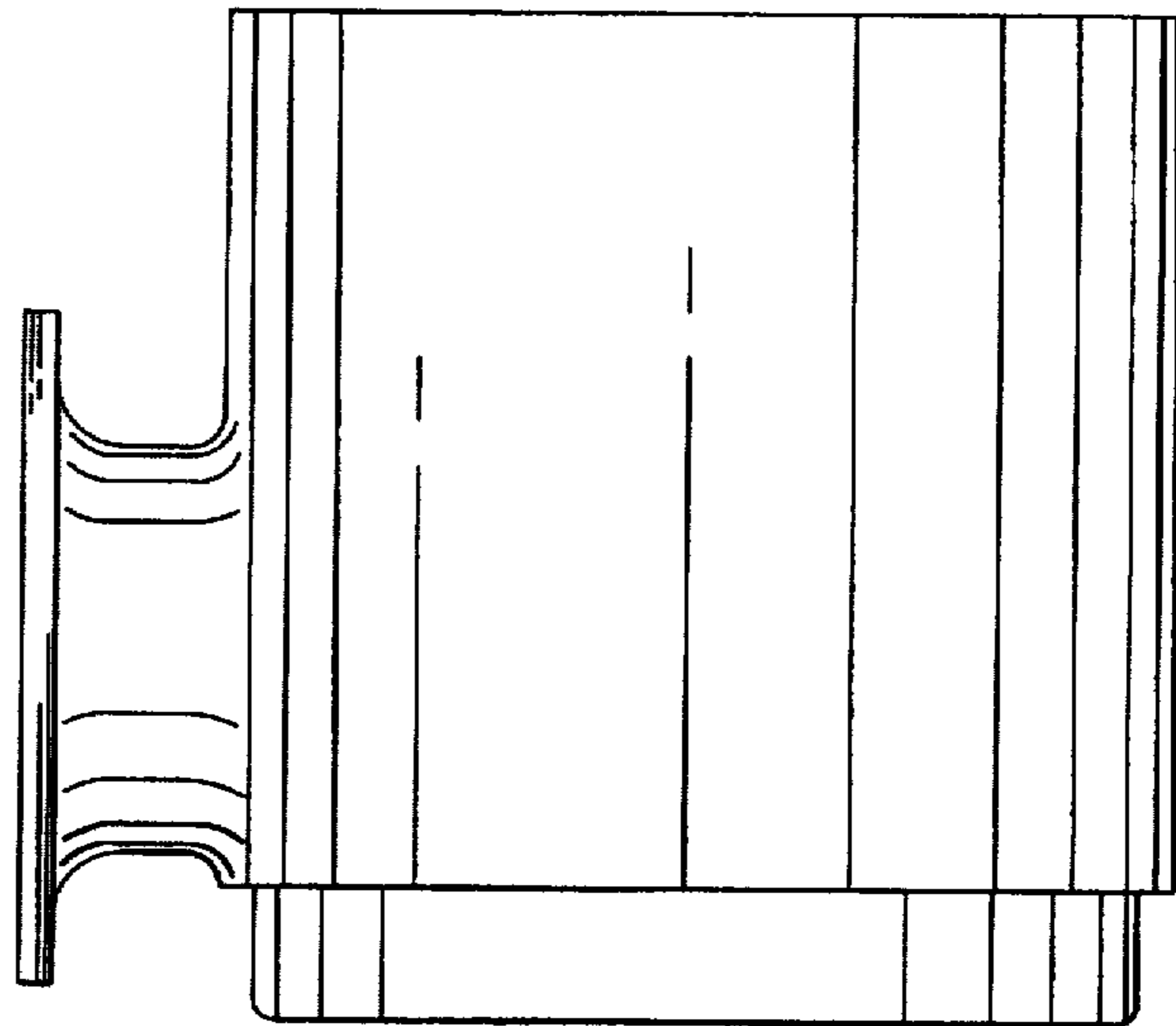
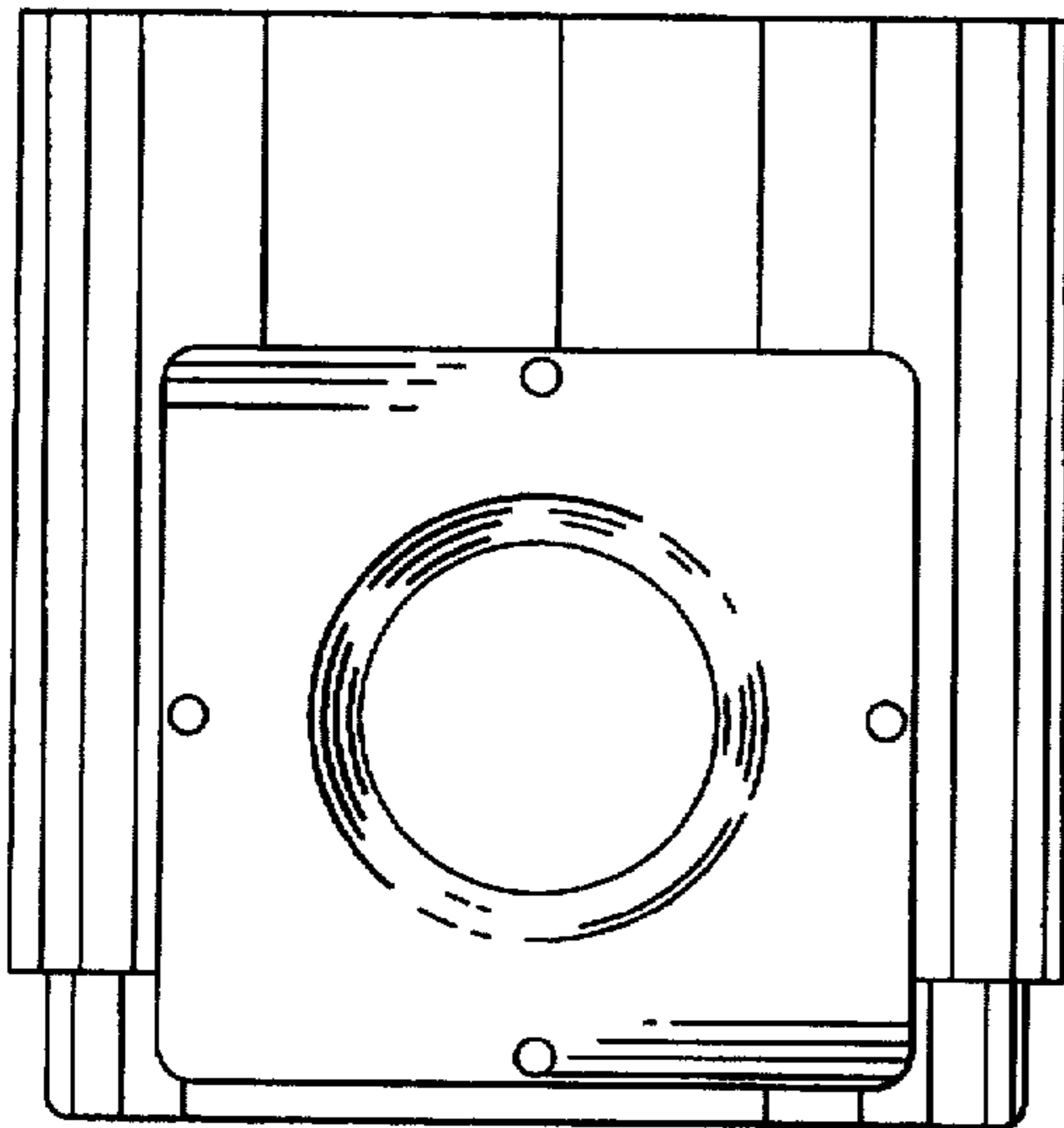


FIG. 1

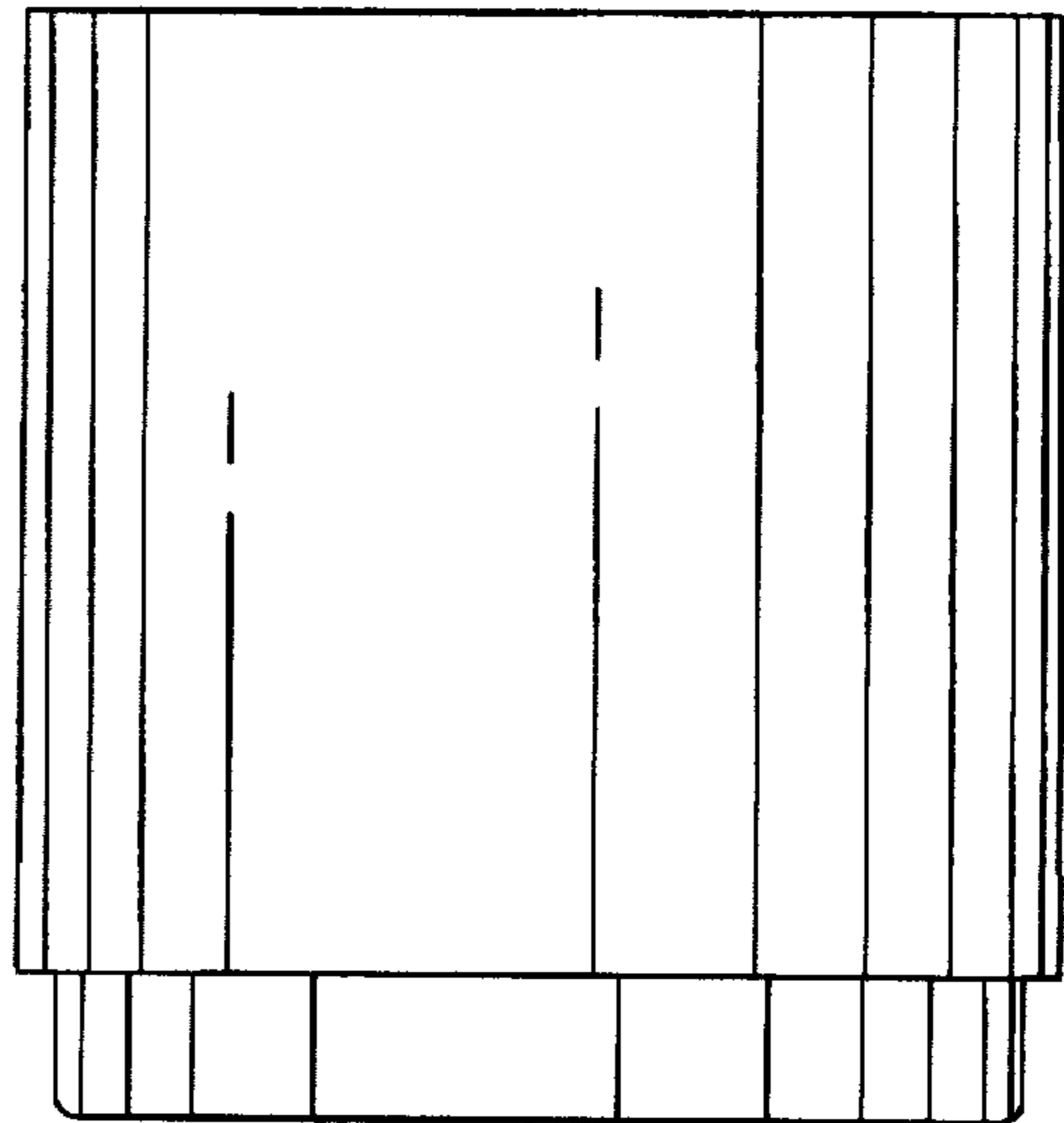


FIG. 2

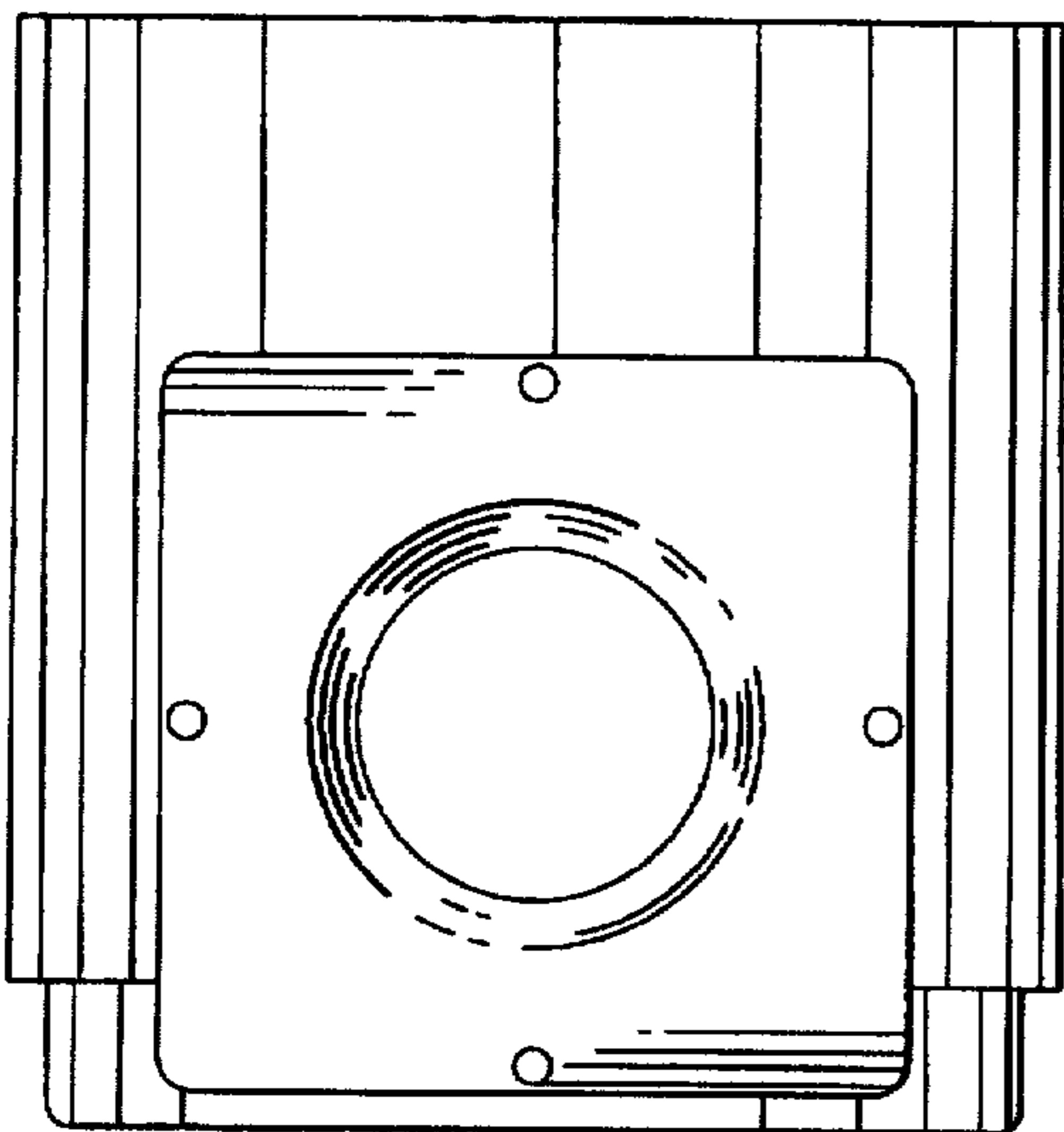
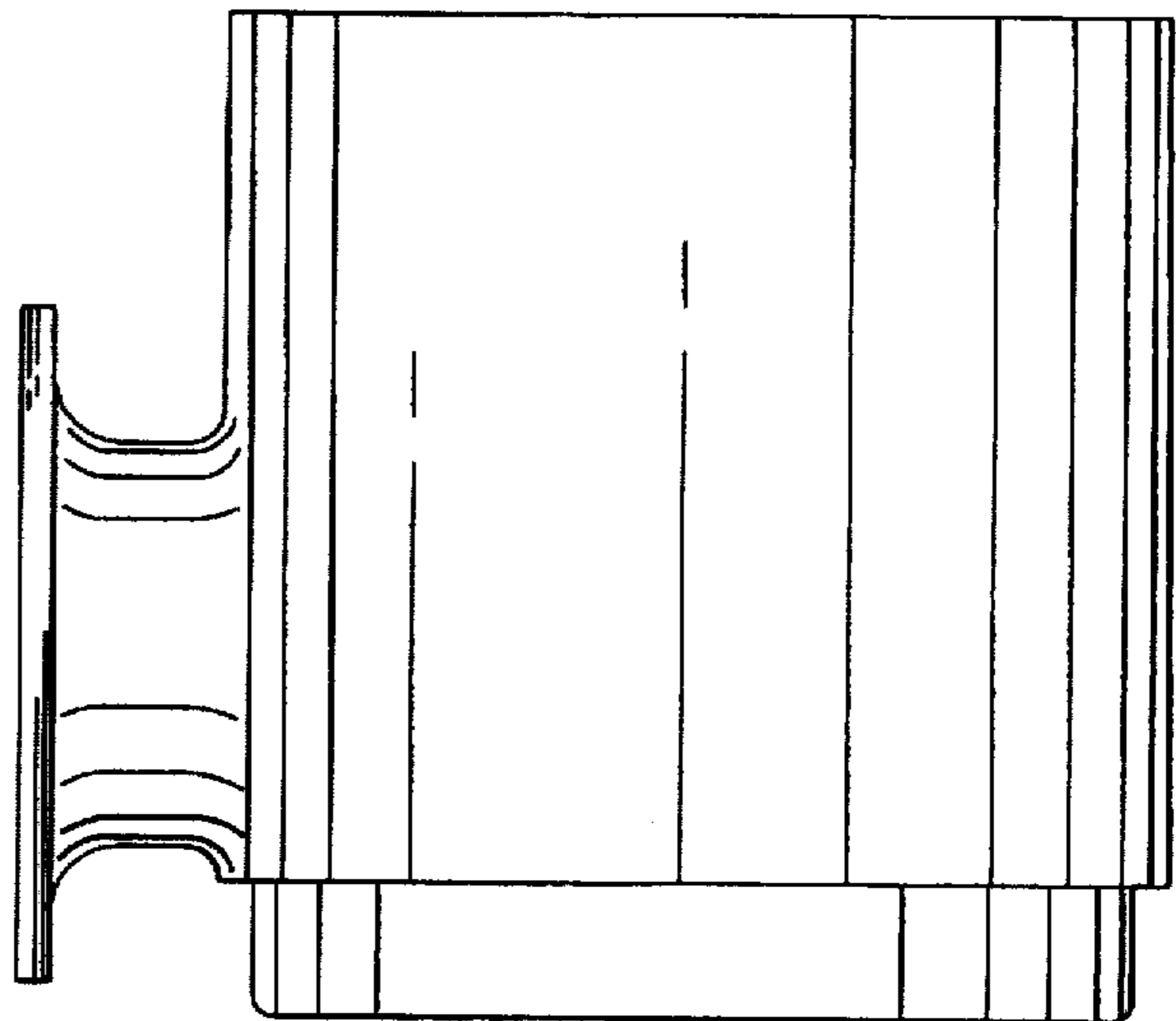


FIG. 3



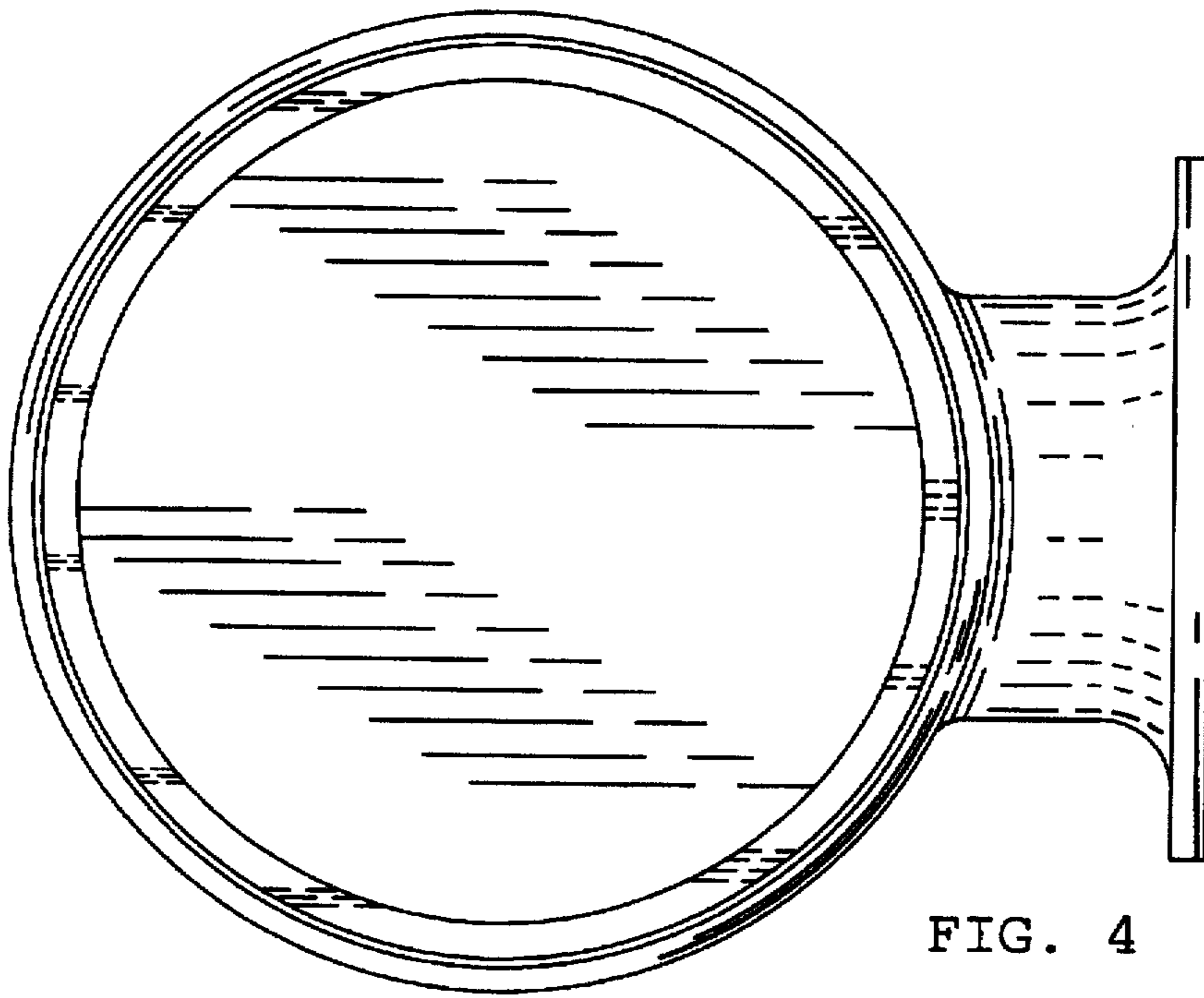


FIG. 4

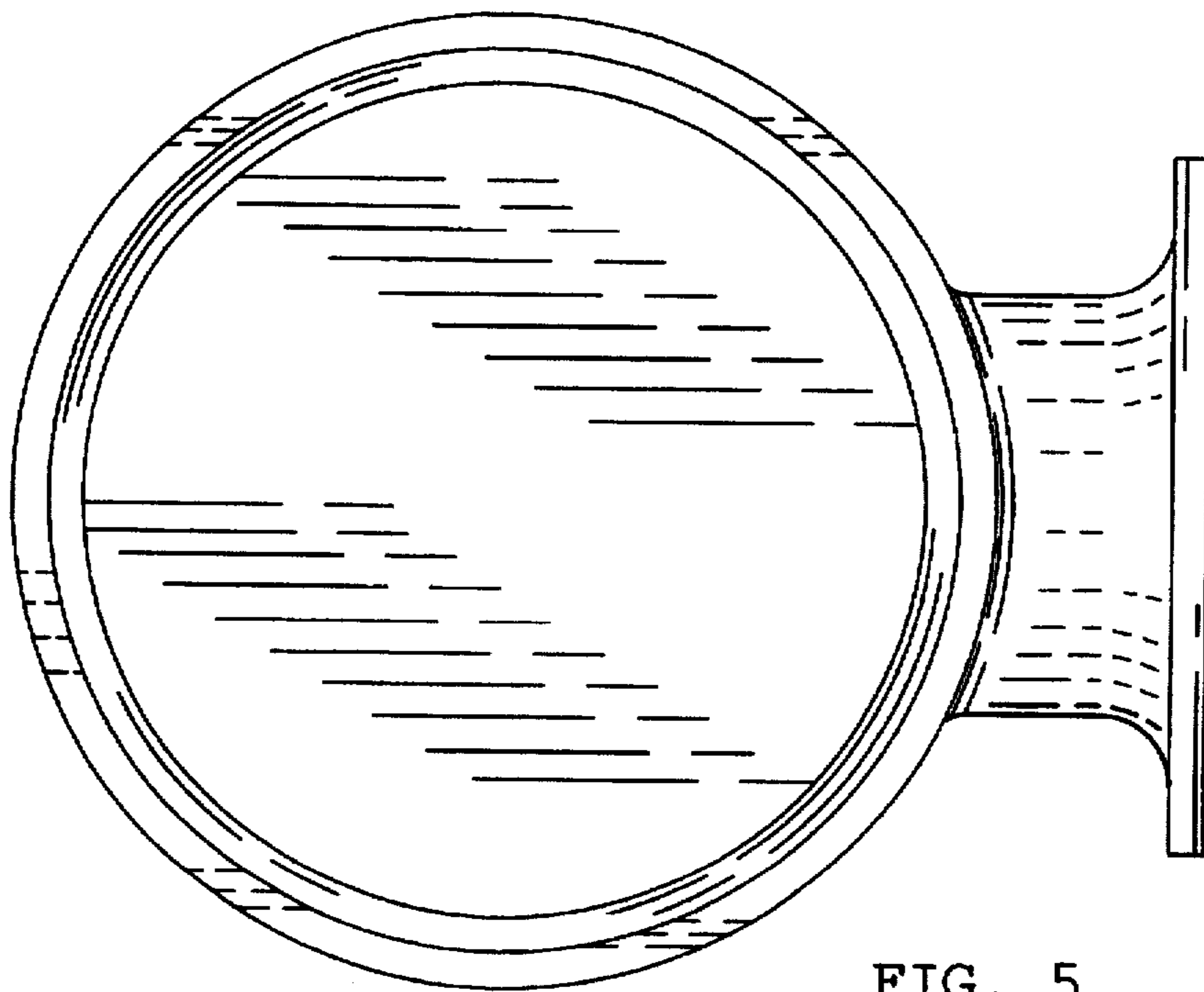


FIG. 5