



US00D388282S

United States Patent [19]

Floyd et al.

[11] Patent Number: **Des. 388,282**

[45] Date of Patent: ****Dec. 30, 1997**

[54] **LID FOR ICE CHEST**

[75] Inventors: **Greg Floyd; Kevin Rausch**, both of Wooster, Ohio

[73] Assignee: **Rubbermaid Specialty Products Inc.**, Wooster, Ohio

[**] Term: **14 Years**

[21] Appl. No.: **62,393**

[22] Filed: **Nov. 4, 1996**

[51] **LOC (6) CL** **07-01**

[52] **U.S. Cl.** **D7/605; D3/323**

[58] **Field of Search** **D7/603-608; D3/273, D3/323; 62/457.1, 457.7, 371; 220/410-412**

D. 353,305	12/1994	Miller	D7/605
D. 353,306	12/1994	Miller	D7/605
D. 354,419	1/1995	Kahl	D7/605
D. 366,599	1/1996	Brown et al.	D7/605
D. 370,159	5/1996	Fenton et al.	D7/605
D. 374,772	10/1996	Hotaling et al.	D7/605 X
3,057,508	10/1962	Kimbrough, Jr.	220/55.7
3,791,547	2/1974	Branscum	220/17
3,987,829	10/1976	Leone	150/5
4,024,731	5/1977	Branscum	62/457
4,592,482	6/1986	Seager	220/318
4,667,484	5/1987	Tarozzi et al.	62/371
4,696,412	9/1987	McGowan	220/335
4,846,493	7/1989	Mason	280/641
4,873,841	10/1989	Bradshaw et al.	62/239
4,889,257	12/1989	Steffes	220/331
5,249,438	10/1993	Rhaney	62/457.7
5,301,508	4/1994	Kahl et al.	62/3.62

[56] **References Cited**

U.S. PATENT DOCUMENTS

D. 197,814	3/1964	Piker	D58/17
D. 220,202	3/1971	Brown et al.	D7/605
D. 232,798	9/1974	Roche	.	
D. 237,135	10/1975	Wiant	.	
D. 239,249	3/1976	Branscum	.	
D. 244,822	6/1977	Havely et al.	.	
D. 247,152	2/1978	Rayfield	.	
D. 257,934	1/1981	Buss	.	
D. 268,979	5/1983	Ruxton	.	
D. 269,398	6/1983	Ruxton	.	
D. 283,480	4/1986	Bailey	.	
D. 322,198	12/1991	Dringenburg	D7/605
D. 325,323	4/1992	Kahl	D7/605
D. 325,324	4/1992	Kahl	D7/605
D. 325,853	5/1992	Kahl	D7/605
D. 327,203	6/1992	Kahl	D7/605
D. 328,221	7/1992	Piccarillo	D7/605
D. 328,689	8/1992	Riskowski	D7/605
D. 337,232	7/1993	Kahl et al.	D7/605
D. 340,620	10/1993	Peters	D7/605
D. 341,060	11/1993	Litt et al.	D7/605
D. 349,007	7/1994	Costello	D7/605
D. 350,048	8/1994	Kahl et al.	D7/605
D. 350,459	9/1994	Blackwell et al.	D7/605
D. 351,318	10/1994	Wedi	D7/605
D. 352,208	11/1994	Brookshire	D7/605
D. 352,420	11/1994	Costello	D7/350
D. 353,304	12/1994	Friedrich	D7/605

OTHER PUBLICATIONS

Pp. 10, 11, 13, 15 and 19; Lids for ice chest; Igloo Corporation, 1001 West Belt Drive, P.O. Box 19322, Houston, Texas 77224. Publication date 1985.

P. 27, Lid for ice chest; Igloo Corporation, 1001 West Belt Drive, P. O. Box 19322, Houston, Texas 77224. Publication date Oct. 1, 1994.

(List continued on next page.)

Primary Examiner—Terry A. Wallace

Attorney, Agent, or Firm—Richard B. O'Planick; Lisa B. Riedesel

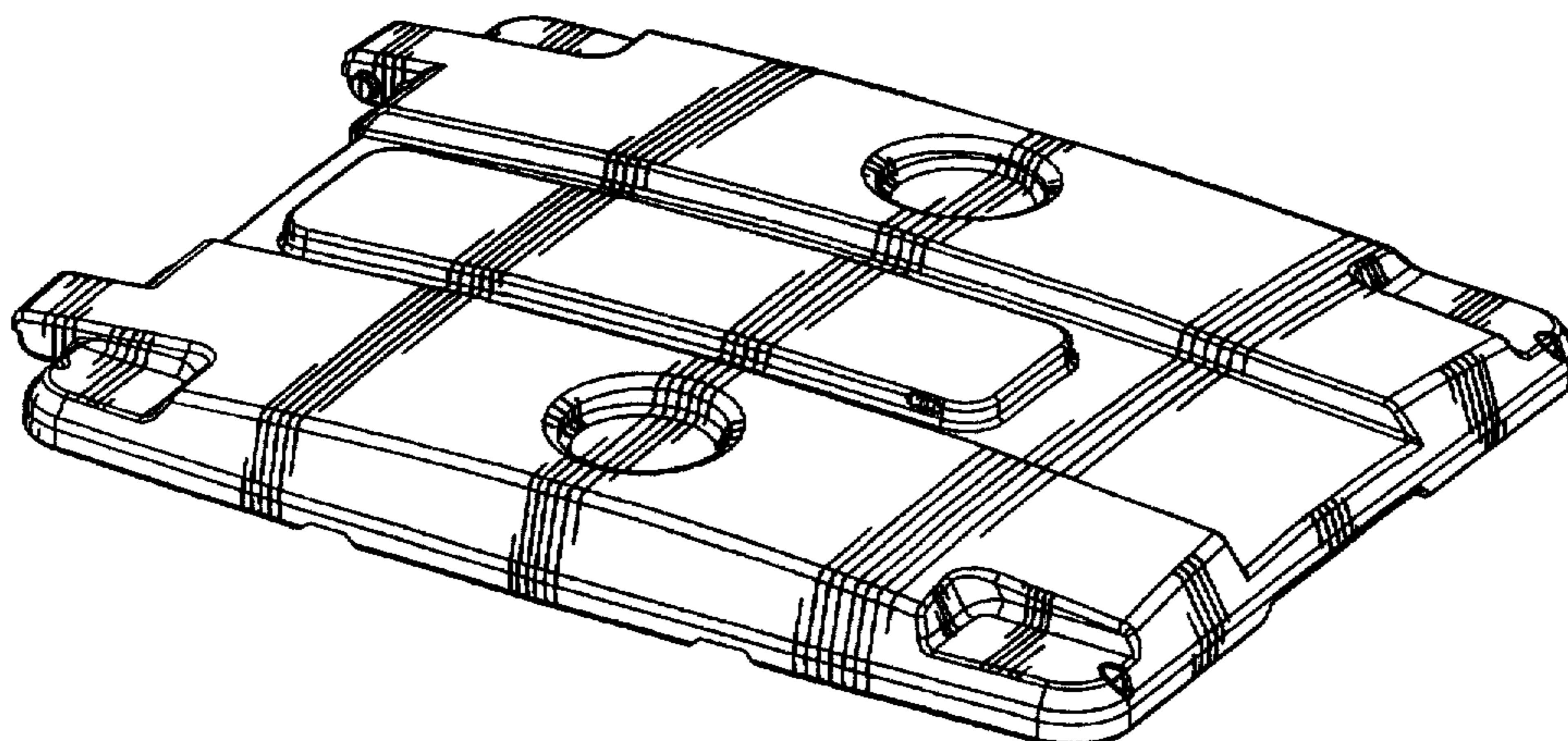
[57] **CLAIM**

The ornamental design for a lid for ice chest, as shown and described.

DESCRIPTION

FIG. 1 is a top front perspective view of a lid for ice chest showing our new design;
FIG. 2 is a top plan view thereof;
FIG. 3 is a left side elevational view thereof;
FIG. 4 is a right side elevational view thereof;
FIG. 5 is a front elevational view thereof; the rear elevational view being a mirror image; and,
FIG. 6 is a bottom plan view thereof.

1 Claim, 5 Drawing Sheets



OTHER PUBLICATIONS

Pp. 41, 42, 43, 45, 47, 48, 49 and 52; Lids for ice chests; The Coleman Company, Inc., P.O. Box 2931, Wichita, Kansas 67201. Publication date 1994.

Pp. 10 and 11, Lids for ice chests; The Coleman Company, Inc., P. O. Box 2931, Wichita, Kansas 67201. Publication date 1988.

Catalog page, Lids for ice chests; The Coleman Company, Inc., P. O. Box 2931, Wichita, Kansas 67201. Publication date 1988.

P. 2, Lids for ice chests; Thermos Outdoor Living Products, Route 75 East, Freeport, Illinois 61032. Publication date Aug. 1, 1988.

Pp. 9 and 10, Lids for ice chests; Gio Style S.p.A., Vai Privata Cascia 8, 20128 Milan, Italy. Published at least as early as Dec. 18, 1990.

Catalog page, Lid for ice chest; Quattro Elle S.p.A., via Battanina 12, 24059 Urgan, (Bergamo) Italy. Publication date 1990.

Catalog page, Lids for ice chests; Quattro Elle S.p.A., via Battanina 12, 24059 Urgan, (Bergamo) Italy. Publication date 1990.

Pp. 6, 18 and 19; Lids for ice chests; Quattro Elle S.p.A., via Battanina 12, 24059 Urgan, (Bergamo) Italy. Publication date 1993.

Catalog page, Lids for ice chests; Bee Plastics Corp., 2660 North Clybourne Avenue, Chicago, Illinois 60614. Publication date 1975.

Pp. 6 and 7, Lids for ice chests; Fremont Plastic Molds, Ltd., 478 West State Street, P. O. Box 505, Fremont, Ohio 43420. Publication date 1987.

Pp. 4, 5 and 8, Lids for ice chests; Rubbermaid Specialty Products Inc., 1147 Akron Road, Wooster, Ohio 44691. Publication date 1991.

Pp. 10, 11, 12 and 13, Lids for ice chests; Rubbermaid Speciality Products Inc., 1147 Akron Road, Wooster, Ohio 44691. Publication date 1991.

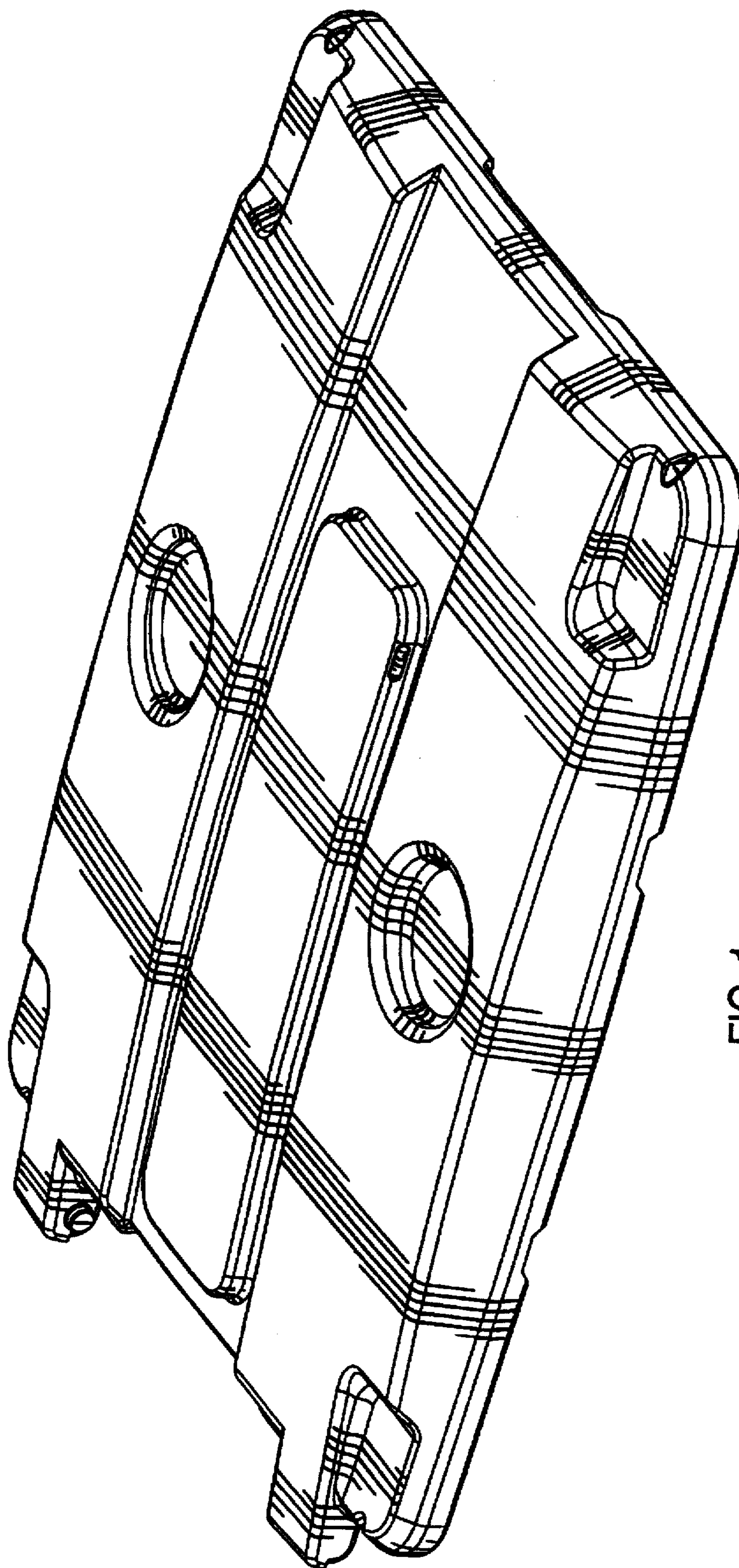


FIG. 1

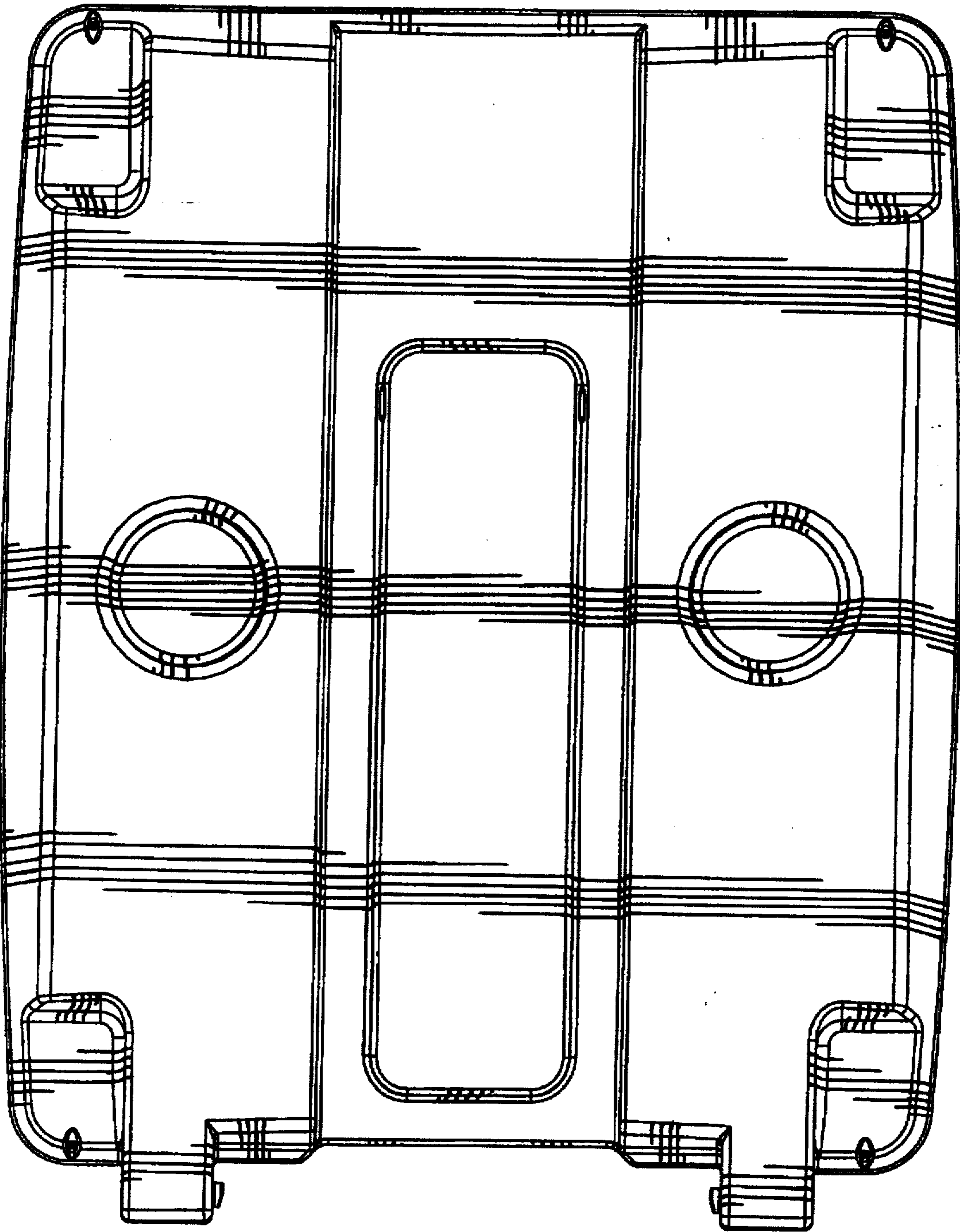


FIG. 2

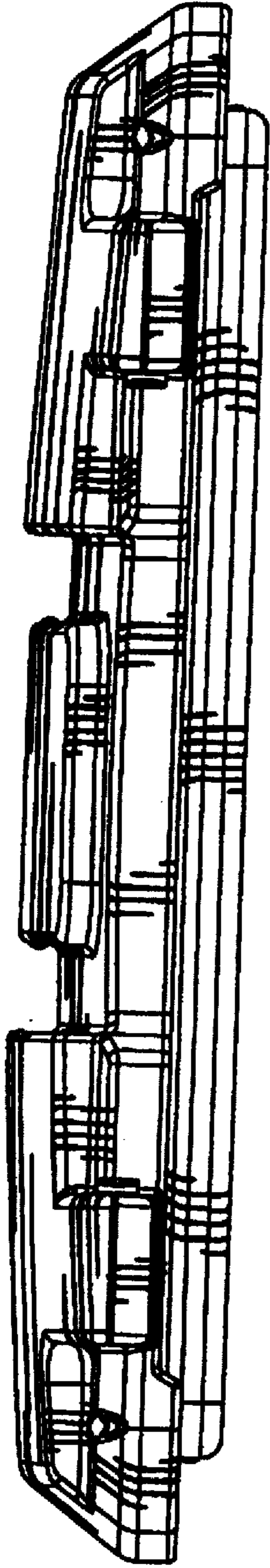


FIG. 3

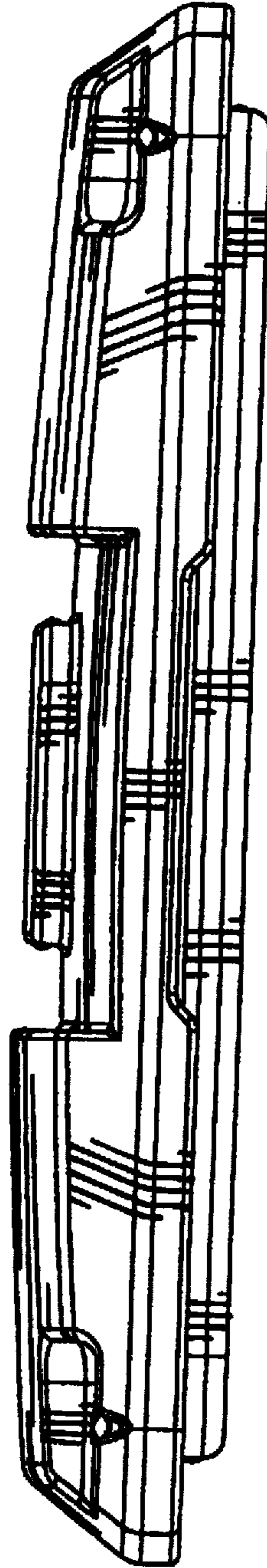


FIG. 4

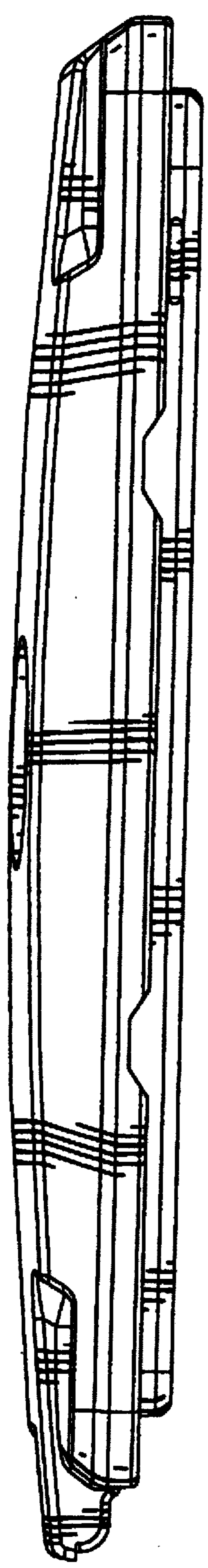


FIG. 5

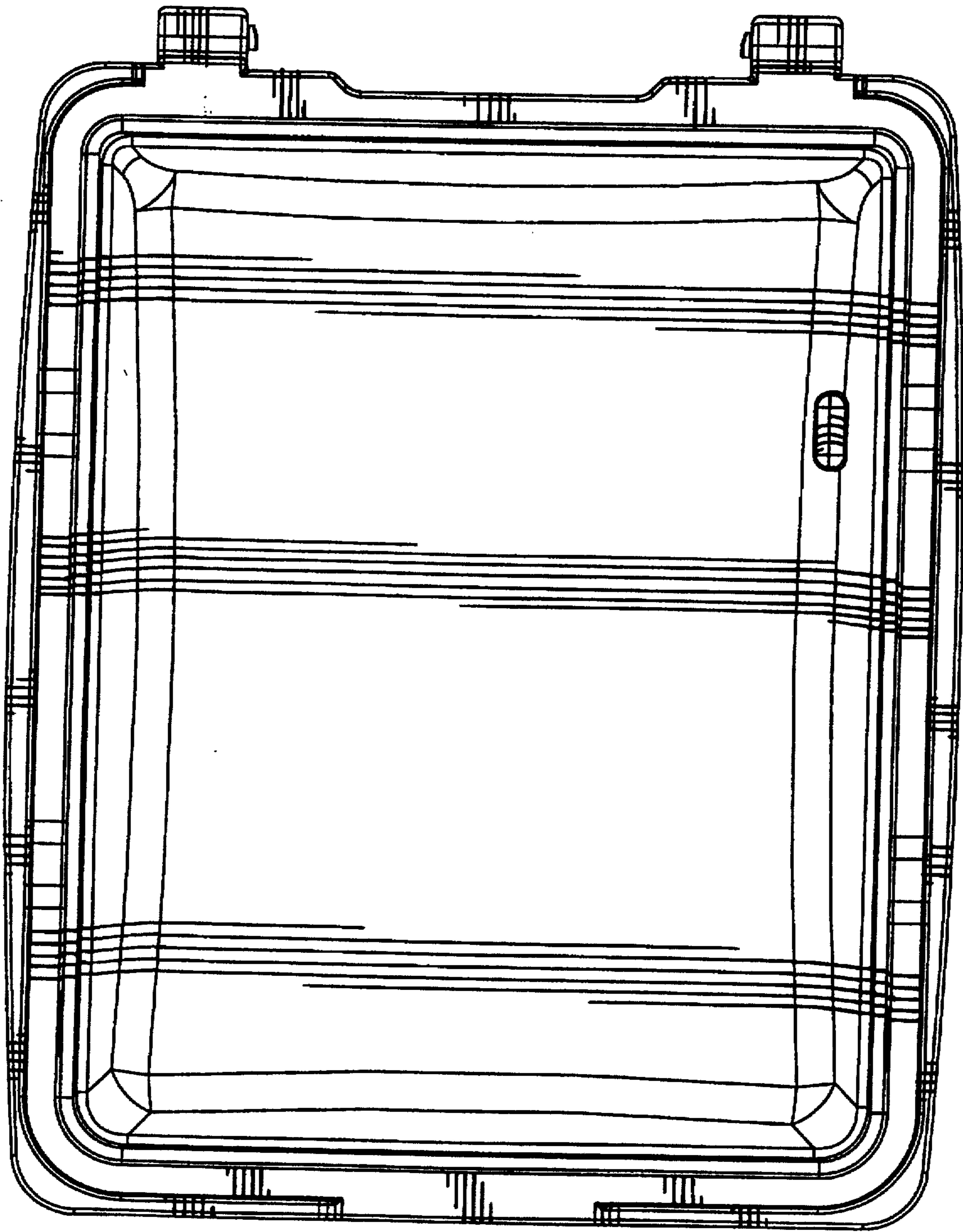


FIG. 6