



US00D388281S

**United States Patent** [19]  
**Trombley**

[11] **Patent Number:** **Des. 388,281**  
[45] **Date of Patent:** **\*\*Dec. 30, 1997**

[54] **GOLF MUG**  
[75] **Inventor:** **Edgar F. Trombley, Grosse Point Farms, Mich.**  
[73] **Assignee:** **Punch Products USA, Inc., Kenilworth, N.J.**  
[\*\*] **Term:** **14 Years**

D. 337,691 7/1993 Raunkaer ..... D7/317  
D. 360,109 7/1995 Blankenburg et al. .... D7/536 X  
D. 370,829 6/1996 Neale ..... D7/533 X  
D. 377,738 2/1997 Thorne ..... D7/533 X  
D. 378,263 3/1997 Lage ..... D7/536

**FOREIGN PATENT DOCUMENTS**

297165 1/1989 European Pat. Off. .... D7/536

*Primary Examiner*—M. N. Pandozzi  
*Attorney, Agent, or Firm*—David H. Judson

[21] **Appl. No.:** **52,451**  
[22] **Filed:** **Mar. 20, 1996**

[57] **CLAIM**

The ornamental design for a golf mug, as shown and described.

[51] **LOC (6) Cl.** ..... **07-01**  
[52] **U.S. Cl.** ..... **D7/515; D7/536; D7/533**  
[58] **Field of Search** ..... **D7/531, 544, 509, D7/619, 622, 533, 514, 515, 317, 536, 844; 270/711, 713**

**DESCRIPTION**

**FIG. 1** is a perspective view of the golf mug of the present invention;  
**FIG. 2** is a top view of the golf mug;  
**FIG. 3** is a side view of the golf mug;  
**FIG. 4** is a bottom view of the golf mug;  
**FIG. 5** is a handle side view of the golf mug; and,  
**FIG. 6** is a non-handle side view of the golf mug.

[56] **References Cited**

**U.S. PATENT DOCUMENTS**

D. 7,342 3/1874 Bakewell, Jr. .... D7/515  
D. 204,165 3/1966 Meyers ..... D7/622 X  
D. 275,253 8/1984 Durand ..... D7/536  
D. 301,003 5/1989 Burns ..... D7/515

**1 Claim, 3 Drawing Sheets**

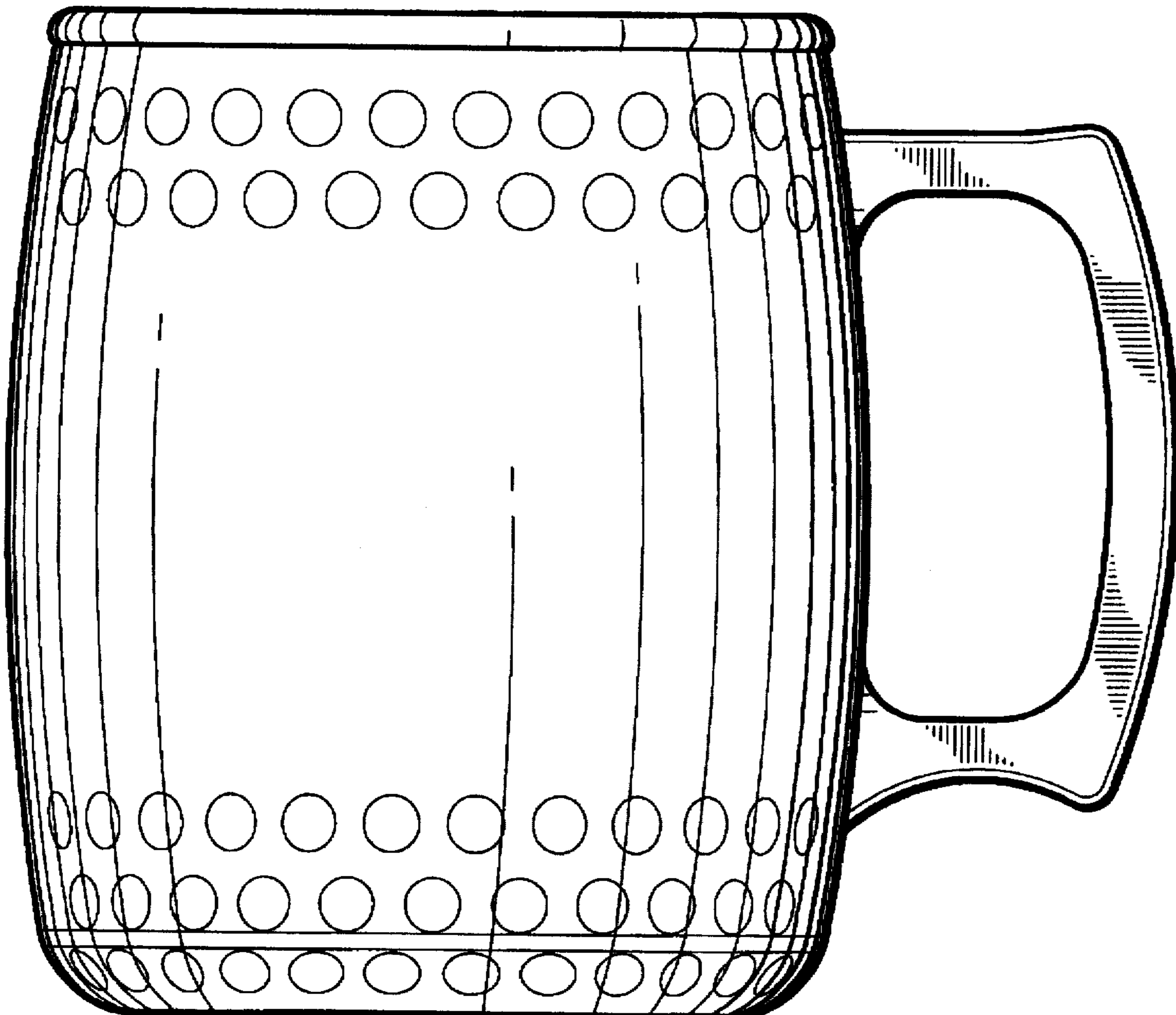


FIG. 1

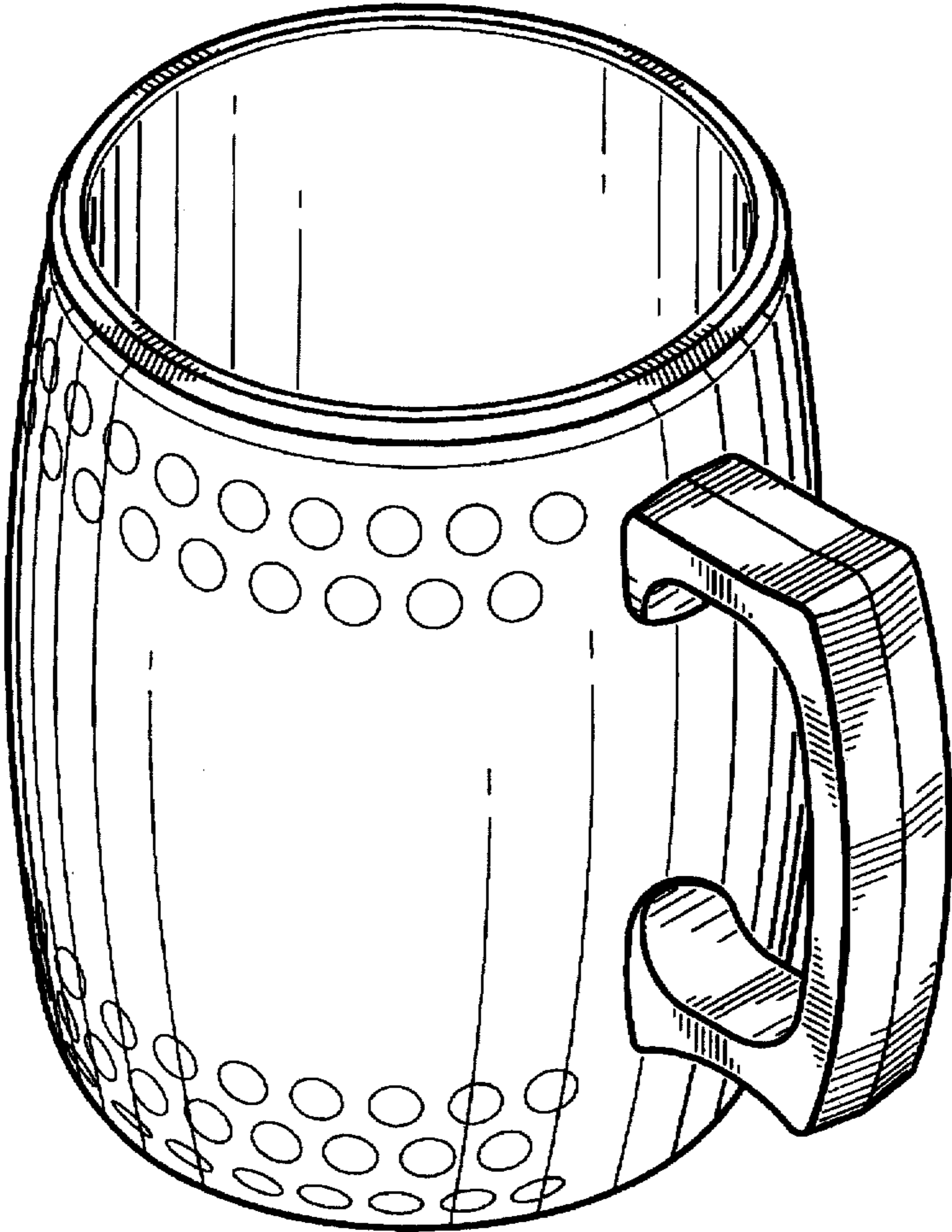


FIG. 2

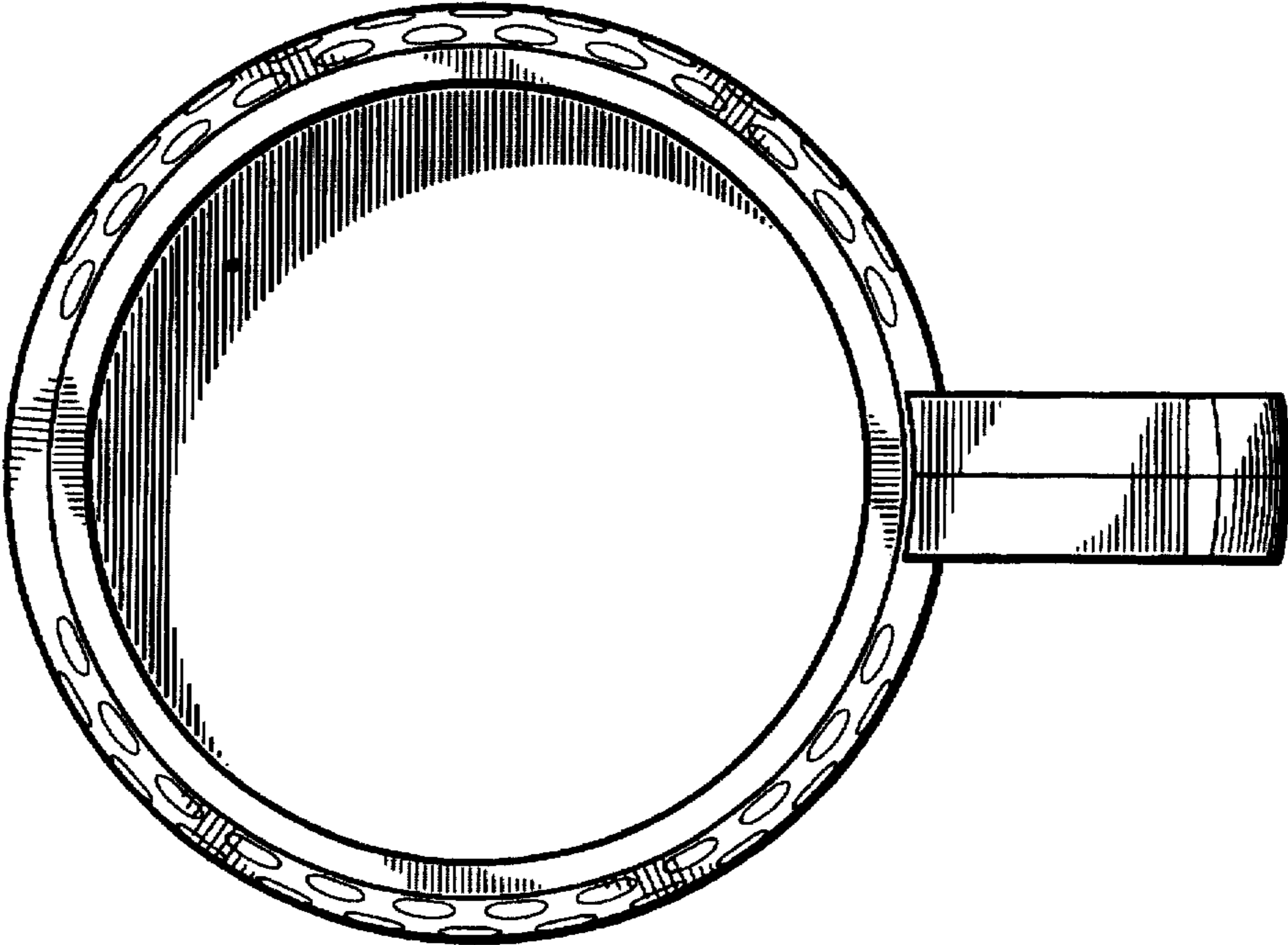


FIG. 3

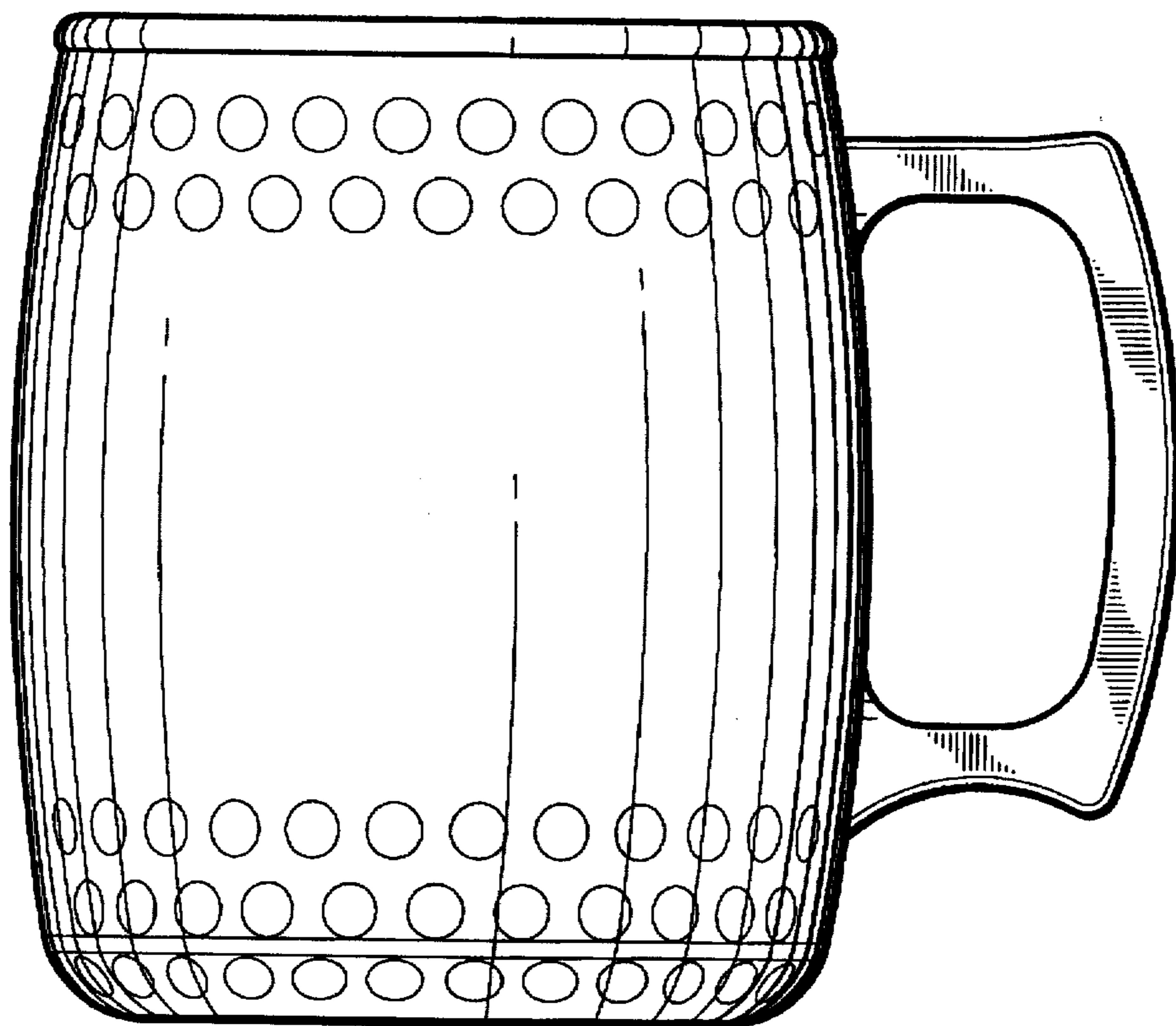


FIG. 4

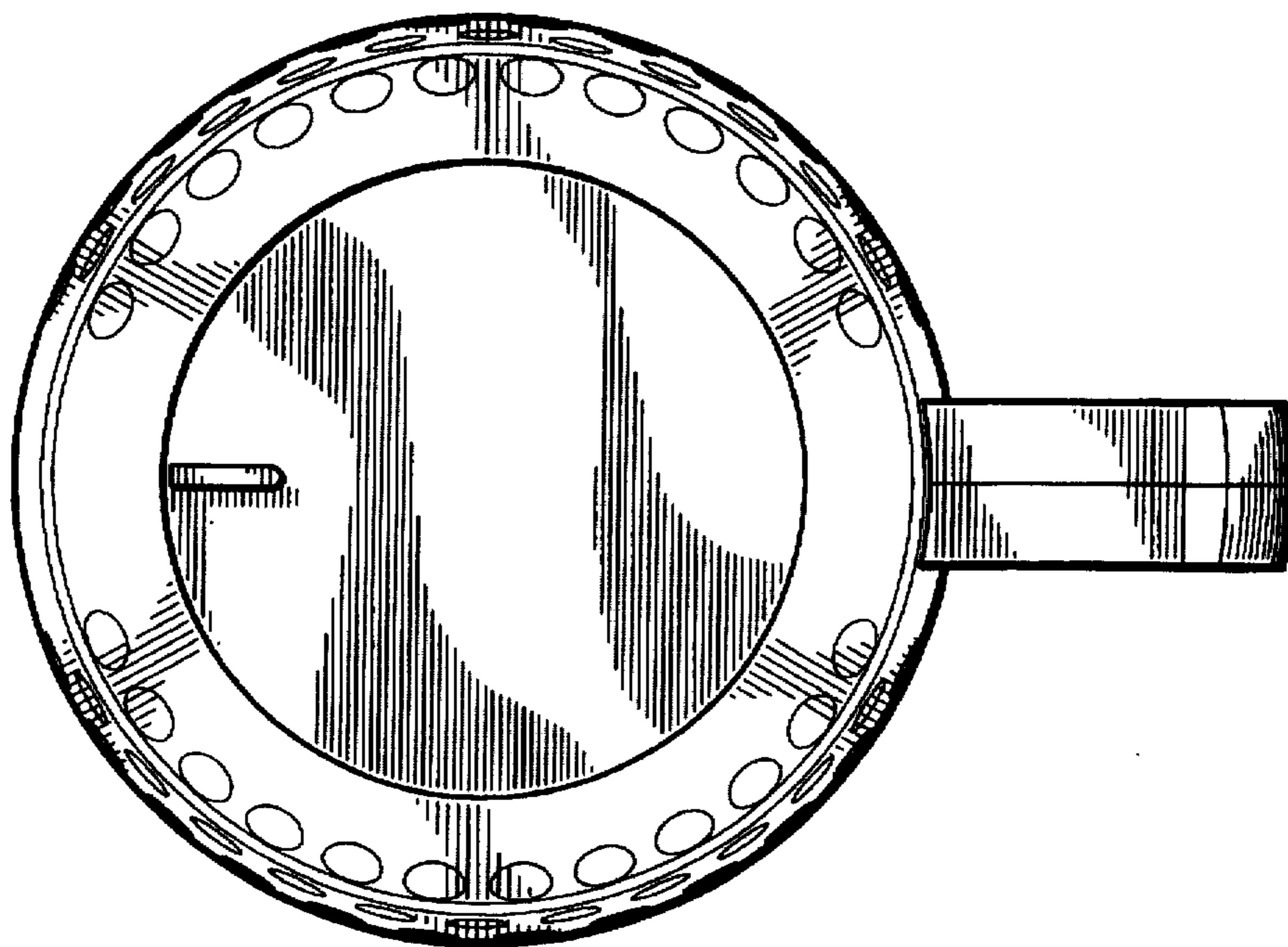




FIG. 5

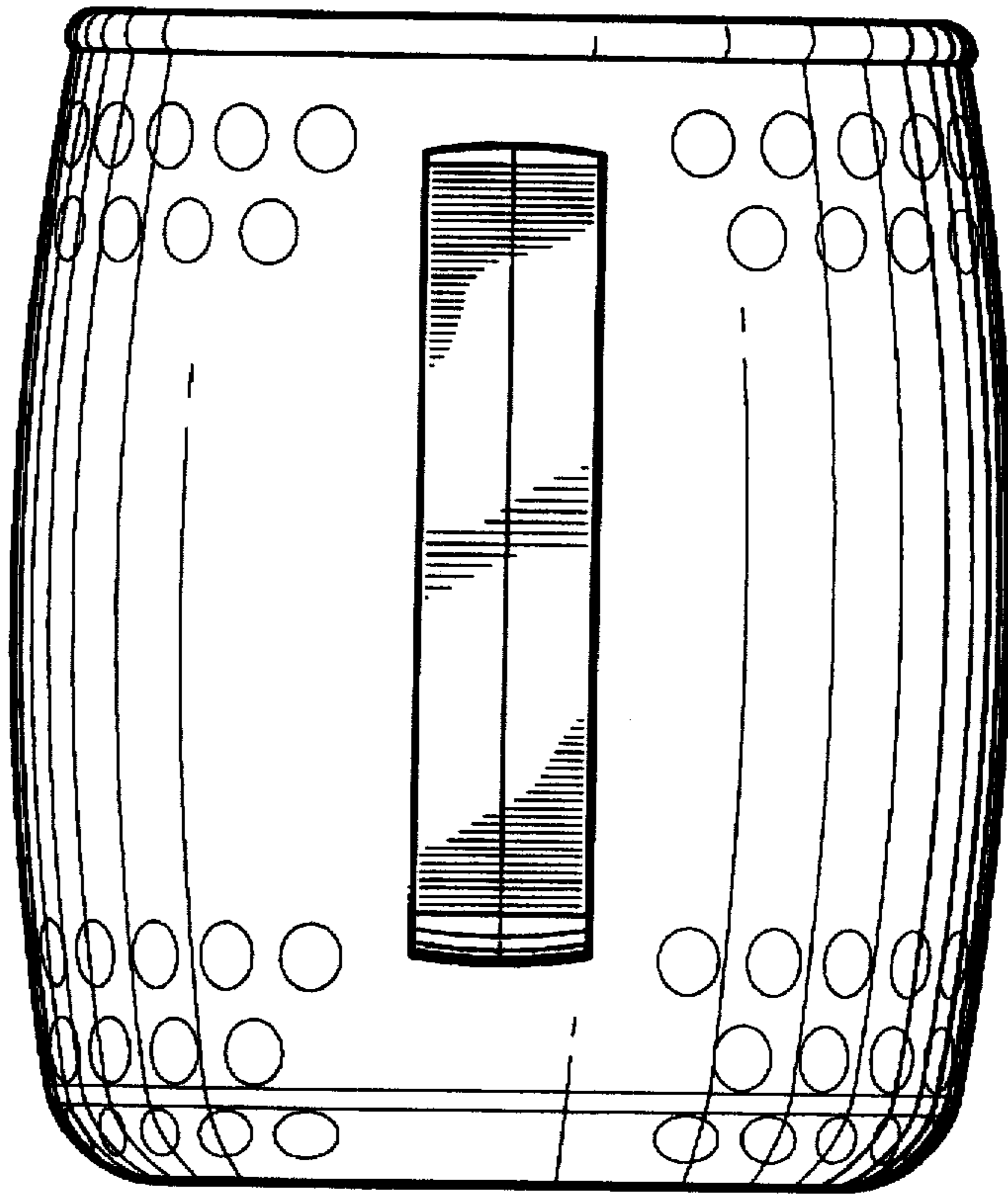


FIG. 6

