



US00D388280S

United States Patent [19] Kessler

[11] Patent Number: **Des. 388,280**

[45] Date of Patent: ****Dec. 30, 1997**

[54] **BATTERY POWERED SPARK IGNITER FOR A GAS GRILL**

[75] Inventor: **Daniel R. Kessler, Downers Grove, Ill.**

[73] Assignee: **Harper-Wyman Company, Aurora, Ill.**

[**] Term: **14 Years**

[21] Appl. No.: **55,904**

[22] Filed: **Jun. 14, 1996**

[51] LOC (6) Cl. **23-03**

[52] U.S. Cl. **D7/416**

[58] Field of Search D7/416, 417; 431/254, 431/258, 263, 264, 266; 219/260, 267, 270; 126/25 B, 25 R, 41 R; 361/247, 253, 255-258, 264; D13/126-127, 145, 184

[56] **References Cited**

U.S. PATENT DOCUMENTS

D. 285,334	8/1986	Johnson	D7/416
D. 346,530	5/1994	Elliott et al.	D7/407
D. 362,313	9/1995	Zeller	D7/416

3,823,345	7/1974	Mitts et al.	D7/416
4,029,936	6/1977	Schweitzer	D7/416
4,941,817	7/1990	Schlosser	431/263

Primary Examiner—Ruth McInroy
Attorney, Agent, or Firm—Mason, Kolehmainen, Rathburn & Wyss

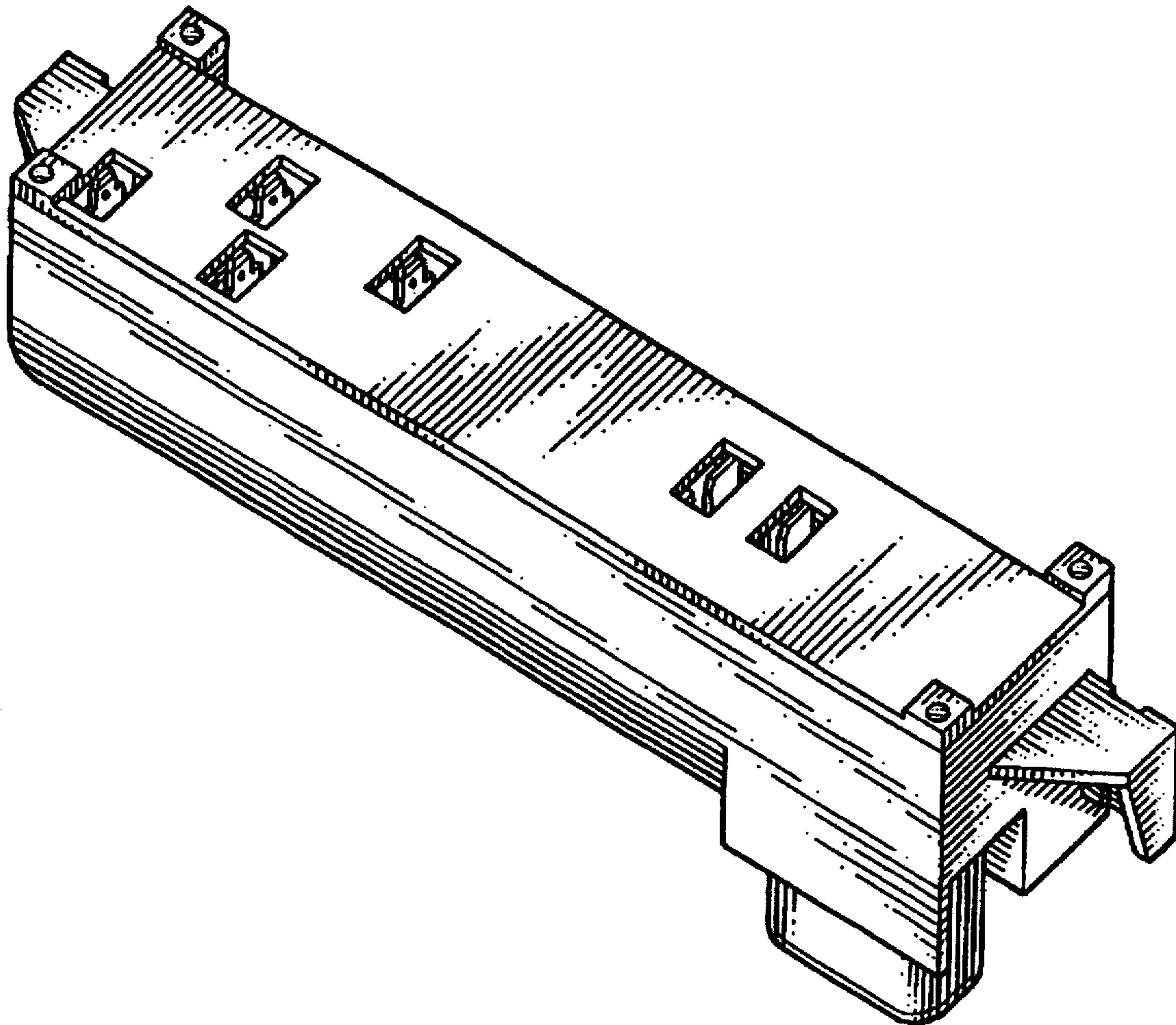
[57] **CLAIM**

The ornamental design for a battery powered spark igniter for a gas grill, as shown.

DESCRIPTION

FIG. 1 is a perspective view of a battery powered spark igniter for a gas grill showing my new design; FIG. 2 is a top plan view thereof; FIG. 3 is a side elevational view thereof; FIG. 4 is a front elevational view thereof; FIG. 5 is a side elevational view of the opposite side of FIG. 3; FIG. 6 is a bottom plan view thereof; and, FIG. 7 is a rear elevational view thereof.

1 Claim, 2 Drawing Sheets



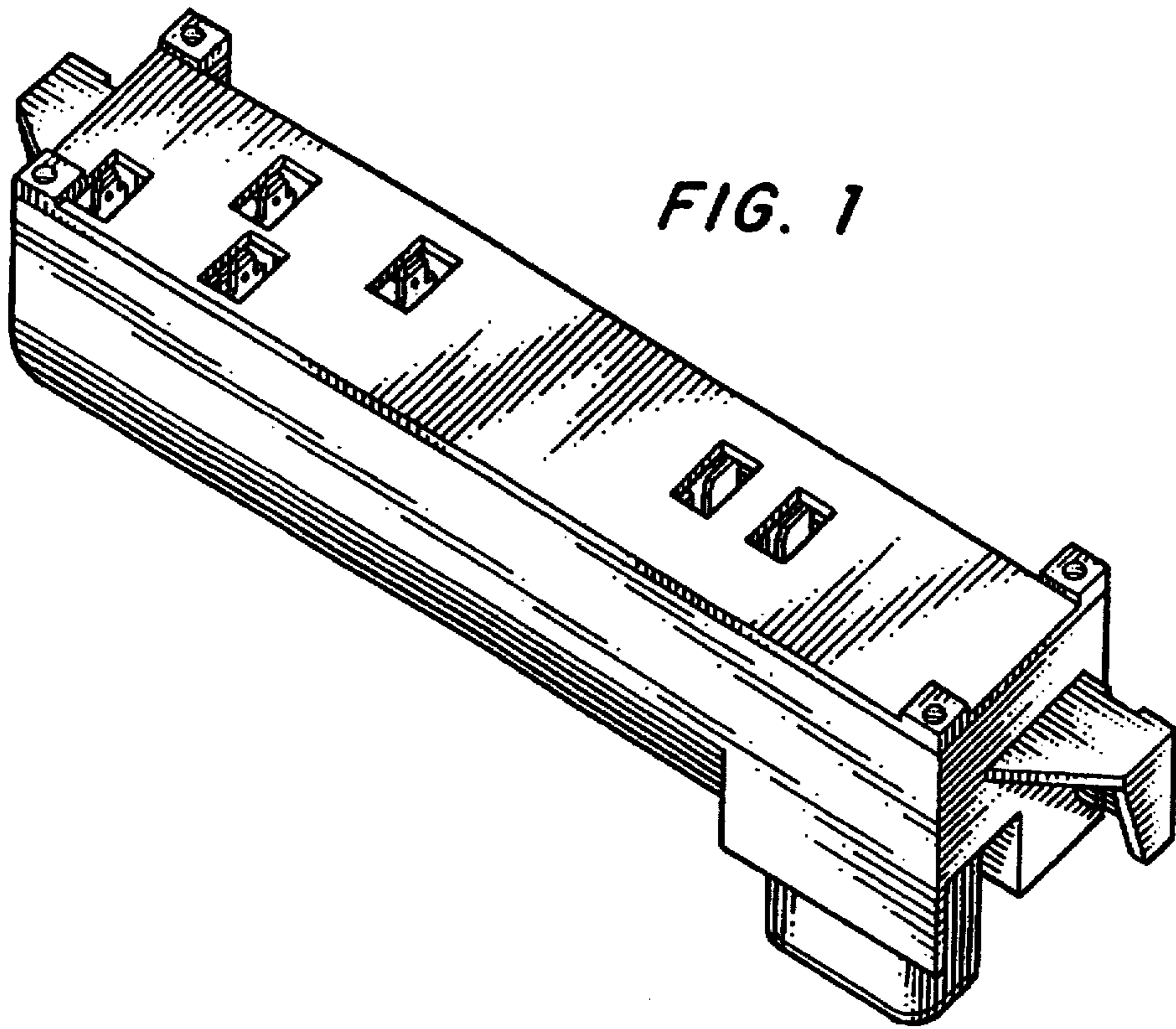


FIG. 1

FIG. 2

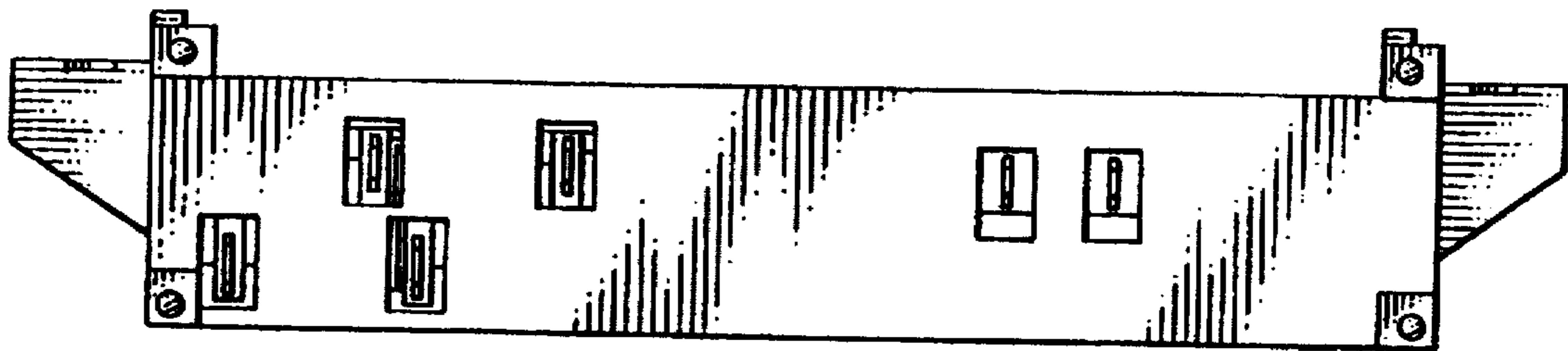


FIG. 4

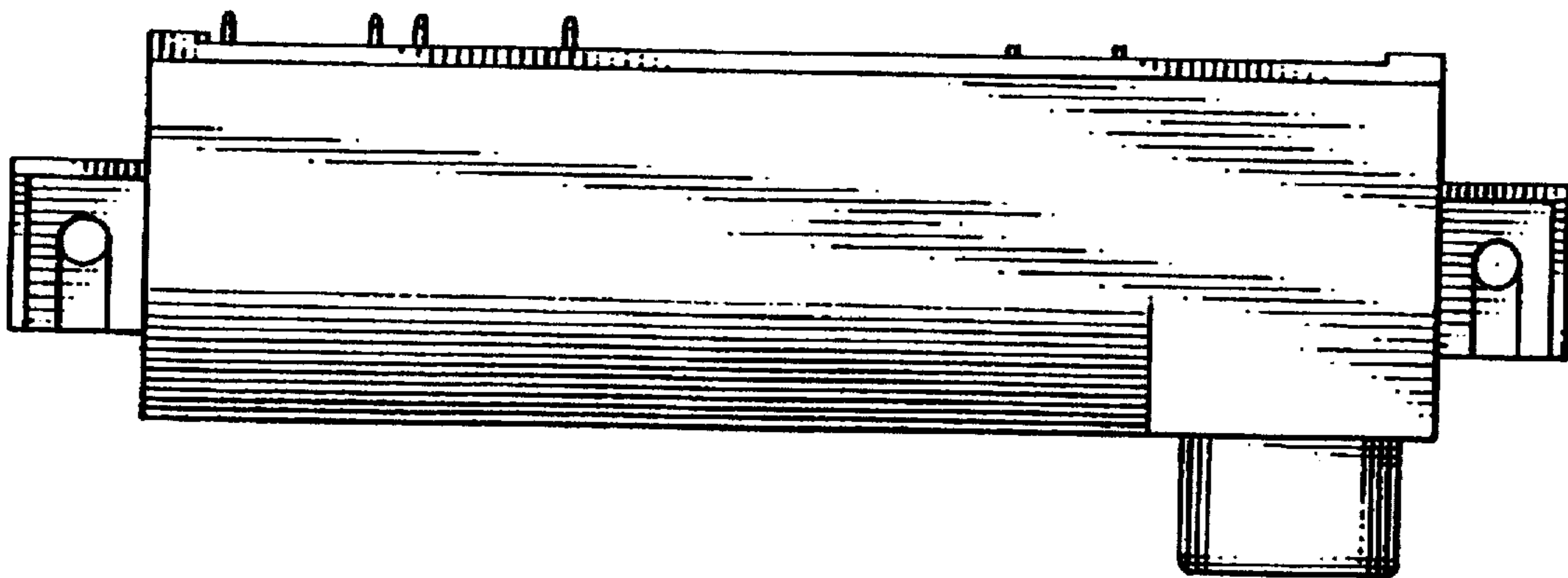


FIG. 3

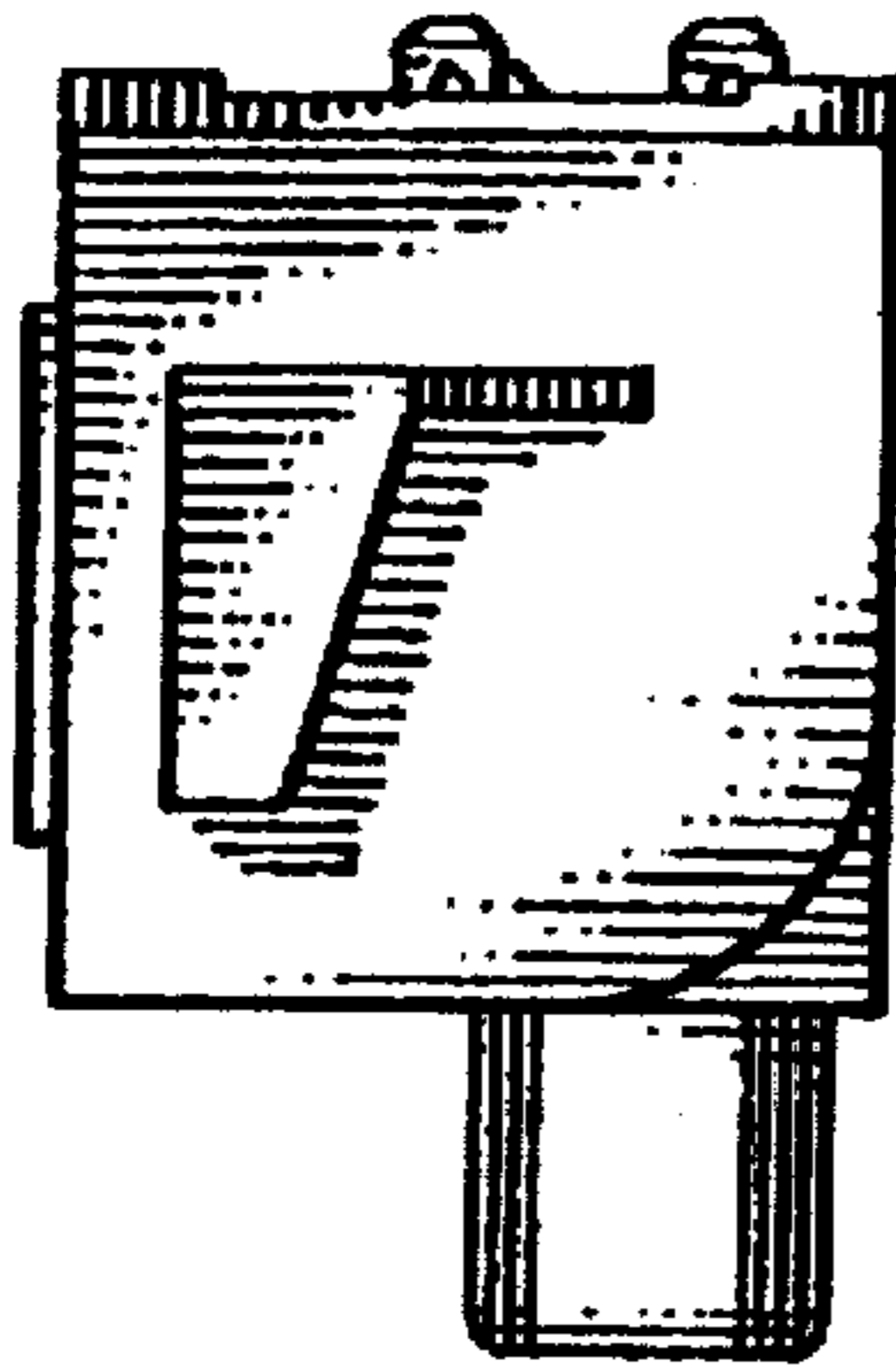


FIG. 5

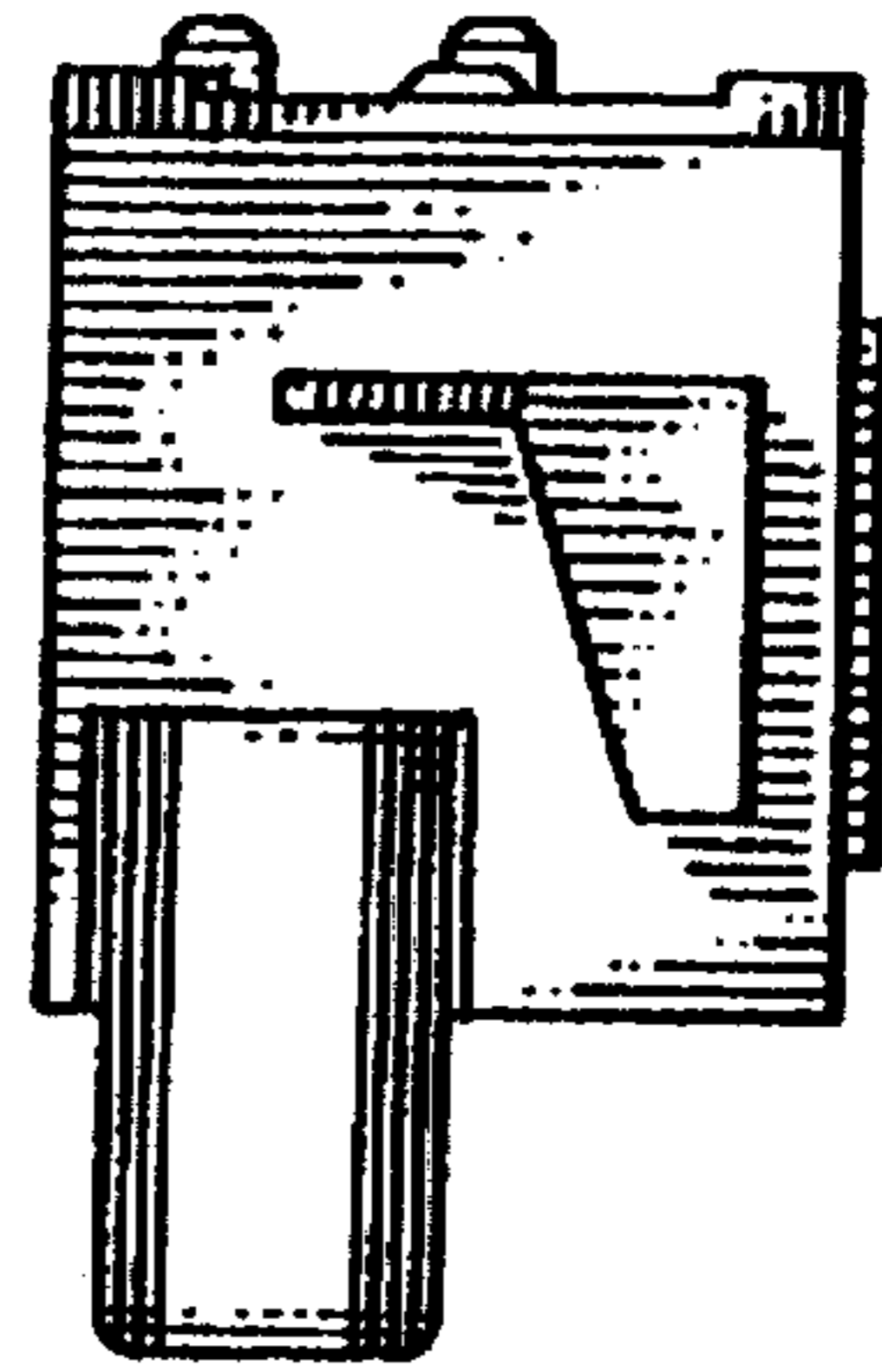


FIG. 7

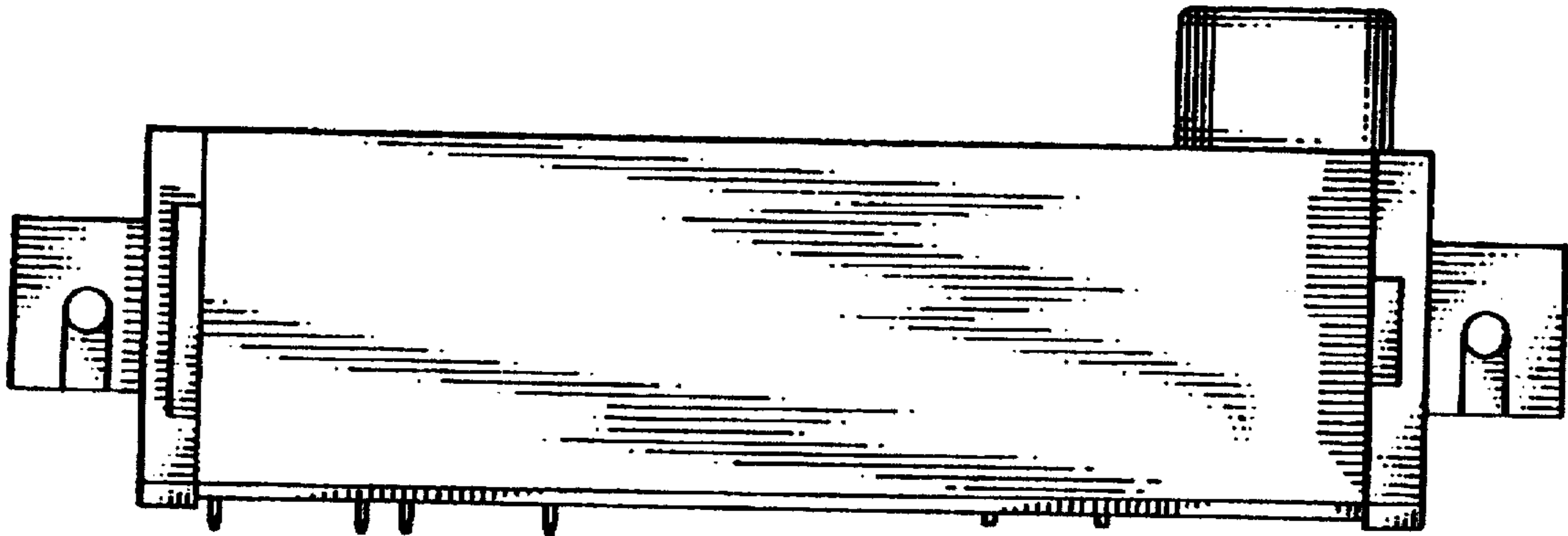


FIG. 6

