

US00D388279S

United States Patent [19]
Candianides

[11] **Patent Number: Des. 388,279**
[45] **Date of Patent: **Dec. 30, 1997**

[54] **KITCHEN UTENSIL COVER**

[75] **Inventor: Florence Candianides,**
Annecy-le-Vieux, France

[73] **Assignee: Tefal S.A., Rumilly, France**

[**] **Term: 14 Years**

[21] **Appl. No.: 57,883**

[22] **Filed: Aug. 2, 1996**

[30] **Foreign Application Priority Data**

Feb. 2, 1996 [FR] France 960662

[51] **LOC (6) Cl. 07-02**

[52] **U.S. Cl. D7/391**

[58] **Field of Search D7/354, 358, 360,**
D7/361, 387, 391-393; 220/203, 209, 316,
306, 367, 231; 99/347

[56] **References Cited**

U.S. PATENT DOCUMENTS

D. 28,261	2/1898	Bowers	D7/391
D. 34,212	3/1901	Reid	D7/391
D. 142,977	11/1945	Archer, Jr.	D7/391
D. 171,252	1/1954	De Lebecque	D7/391
D. 232,511	8/1974	Heiser et al.	D7/391
D. 305,493	1/1990	Ryser	D7/391
D. 313,727	1/1991	Gamez	D7/360
D. 347,964	6/1994	Davis	D7/354 X
D. 370,382	6/1996	Combe	D7/360
2,415,613	2/1947	Sulak	D7/391 X

Primary Examiner—Caron D. Veynar
Attorney, Agent, or Firm—Young & Thompson

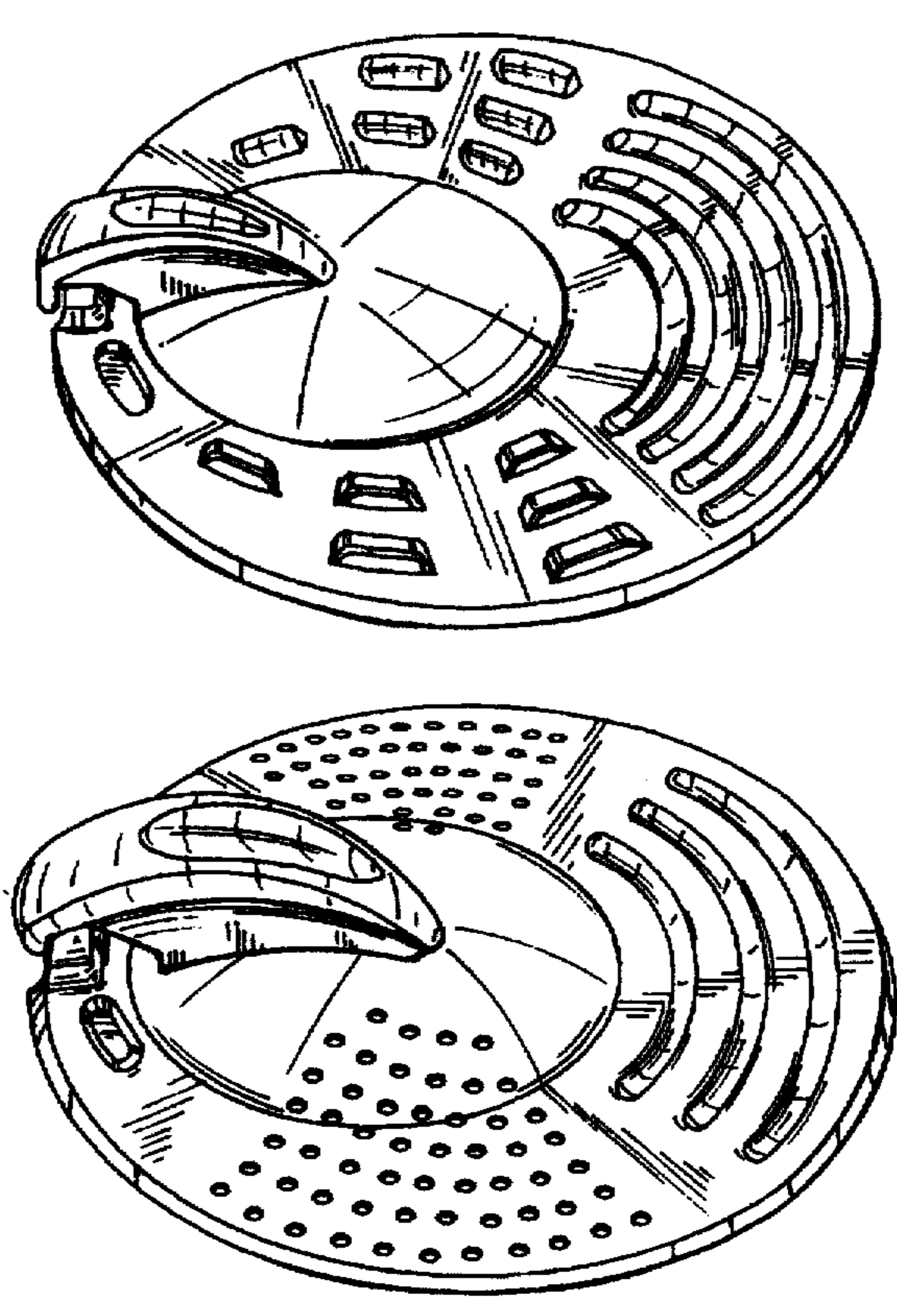
[57] **CLAIM**

The ornamental design for a kitchen utensil cover, as shown and described.

DESCRIPTION

FIG. 1 is a top perspective view of a first embodiment of a kitchen utensil cover, showing my new design;
 FIG. 2 is a top plan view thereof;
 FIG. 3 is a side elevational view thereof from the right of FIG. 2;
 FIG. 4 is a side elevational view thereof from the left of FIG. 2;
 FIG. 5 is a side elevational view thereof from the bottom of FIG. 2, the side opposite that shown in FIG. 5 being the mirror image thereof;
 FIG. 6 is a bottom plan view thereof; and
 FIG. 7 is a top perspective view of a second embodiment of the kitchen utensil cover shown in FIGS. 1-6;
 FIG. 8 is a top plan view thereof;
 FIG. 9 is a side elevational view thereof from the right of FIG. 7;
 FIG. 10 is a side elevational view thereof from the left of FIG. 7;
 FIG. 11 is a side elevational view thereof from the bottom of FIG. 7, the side opposite that shown in FIG. 11 being a mirror image thereof; and,
 FIG. 12 is a bottom plan view thereof.

1 Claim, 4 Drawing Sheets



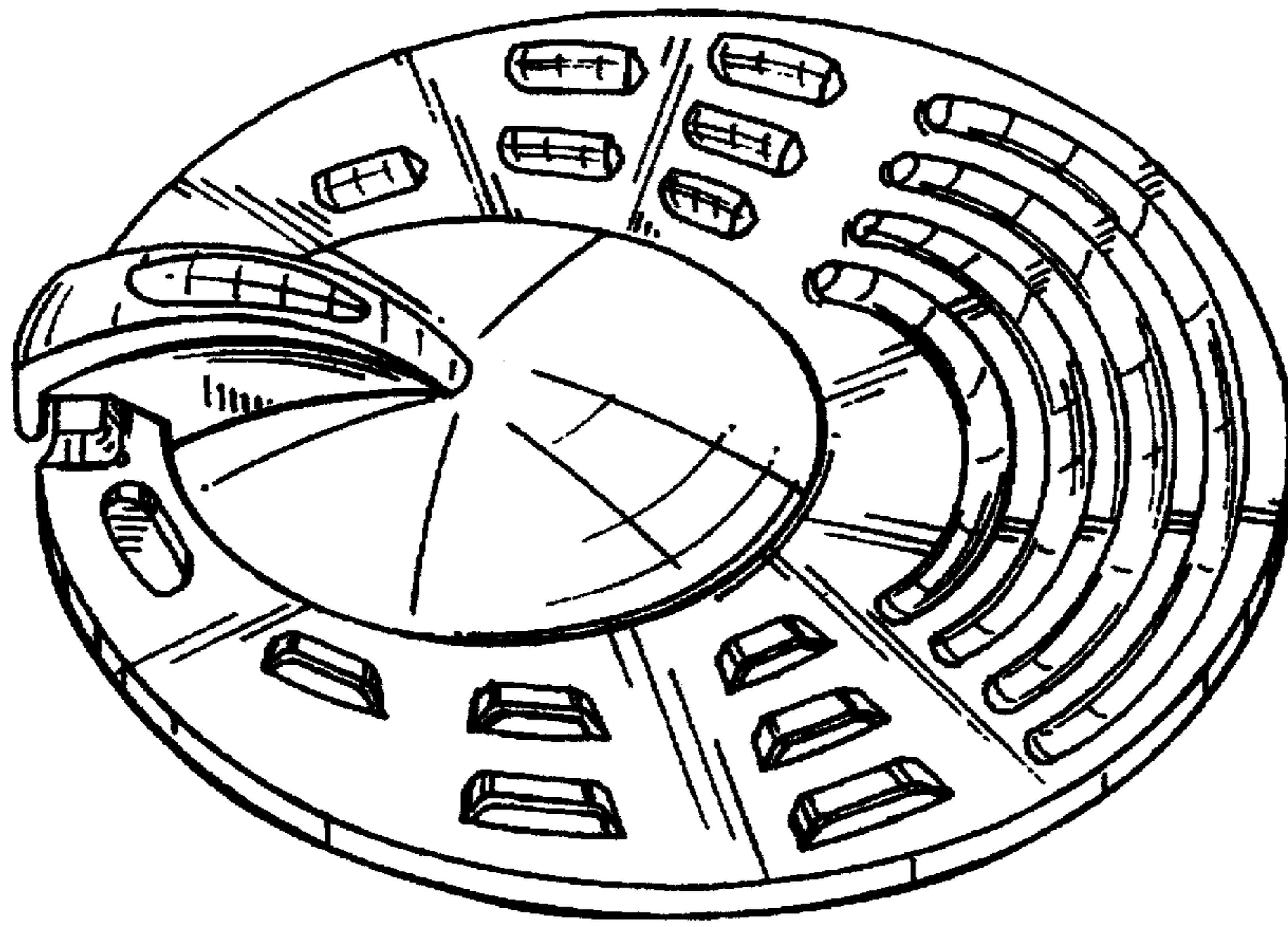


FIG. 1

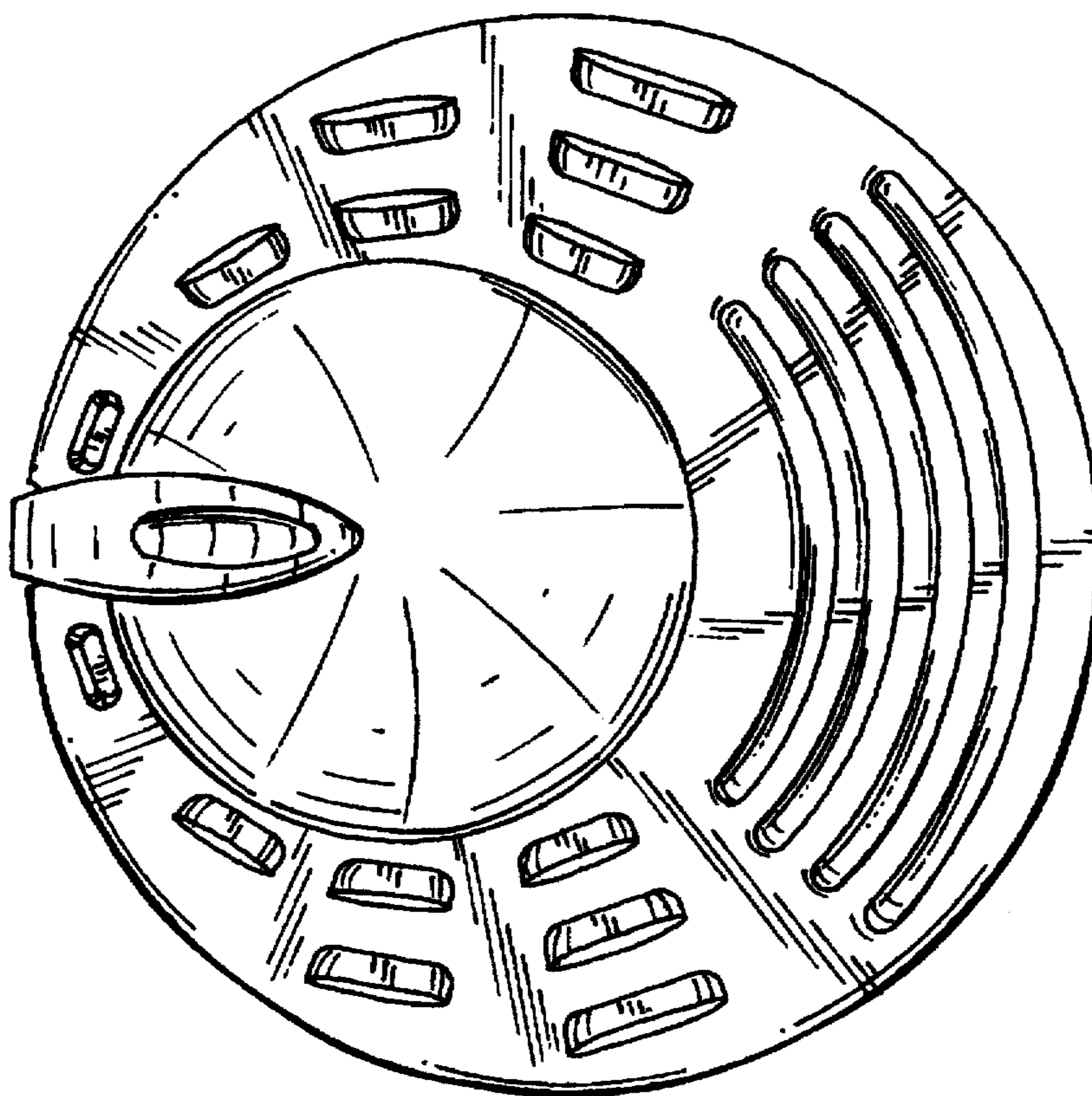


FIG. 2

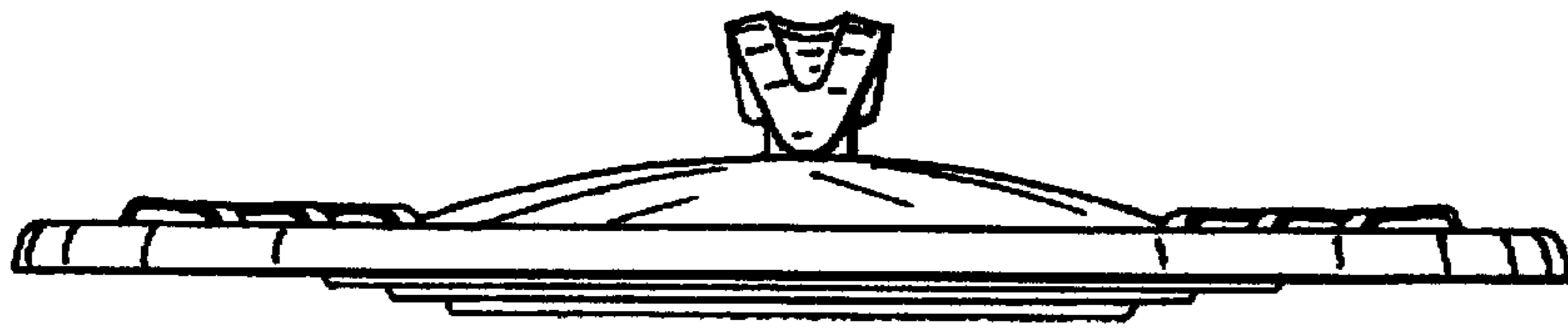


FIG. 3

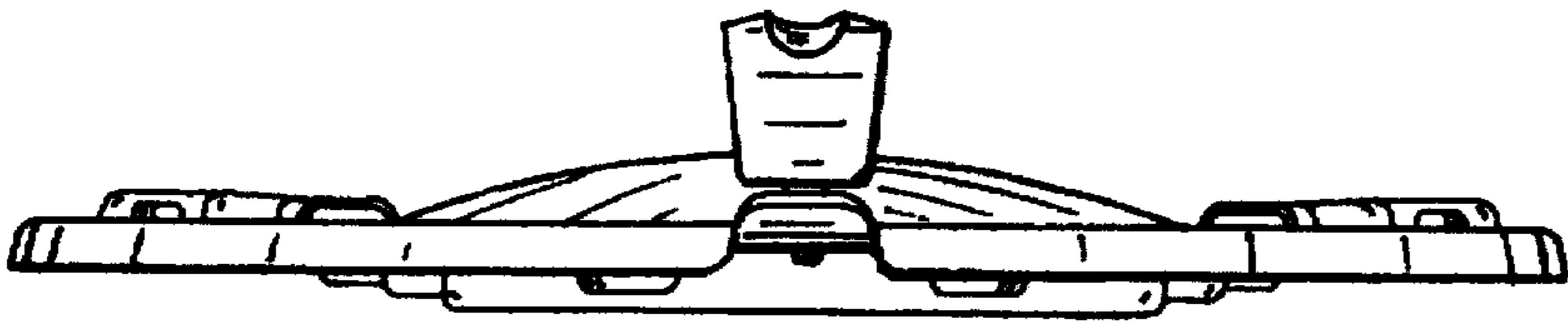


FIG. 4



FIG. 5

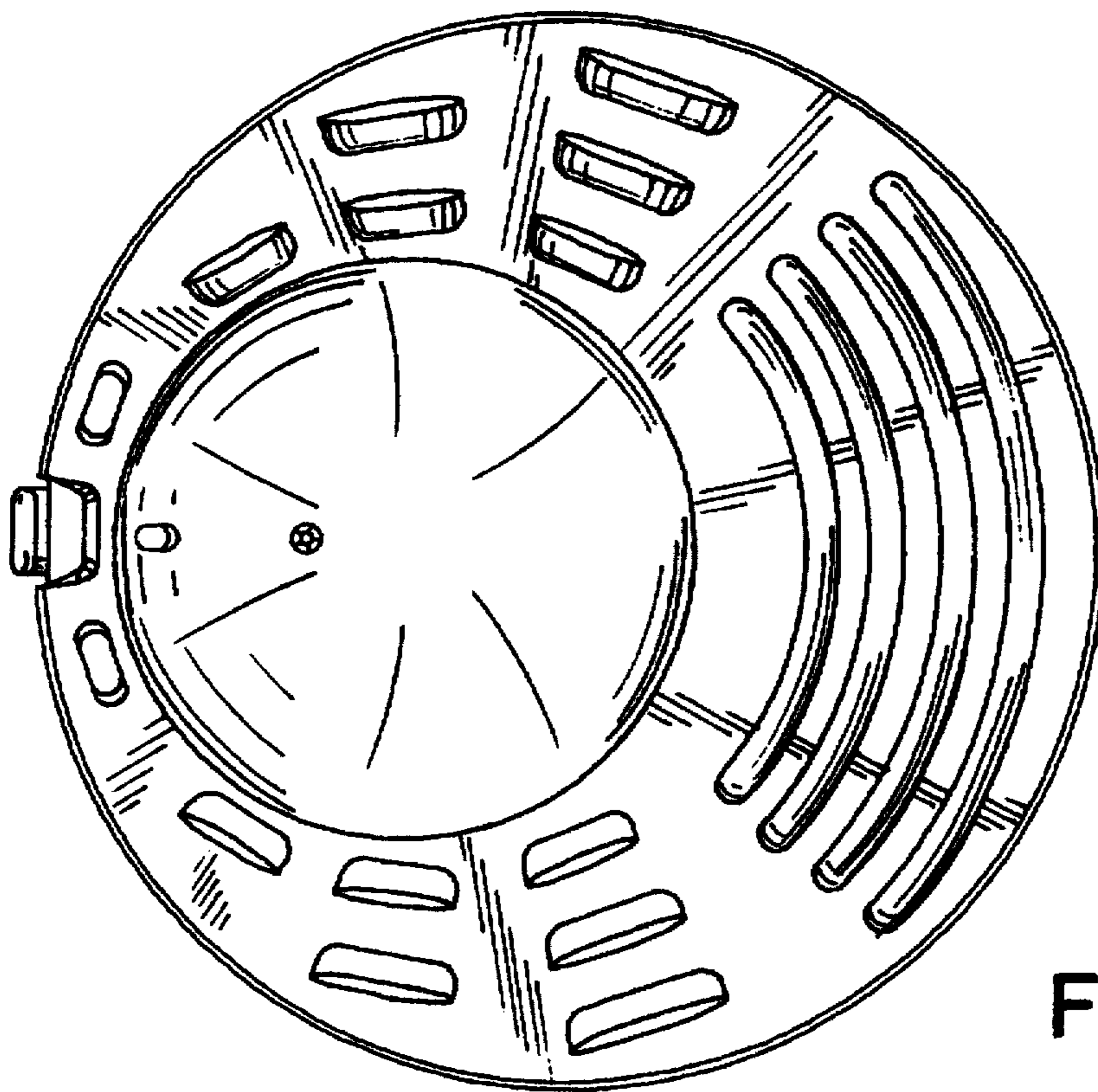


FIG. 6

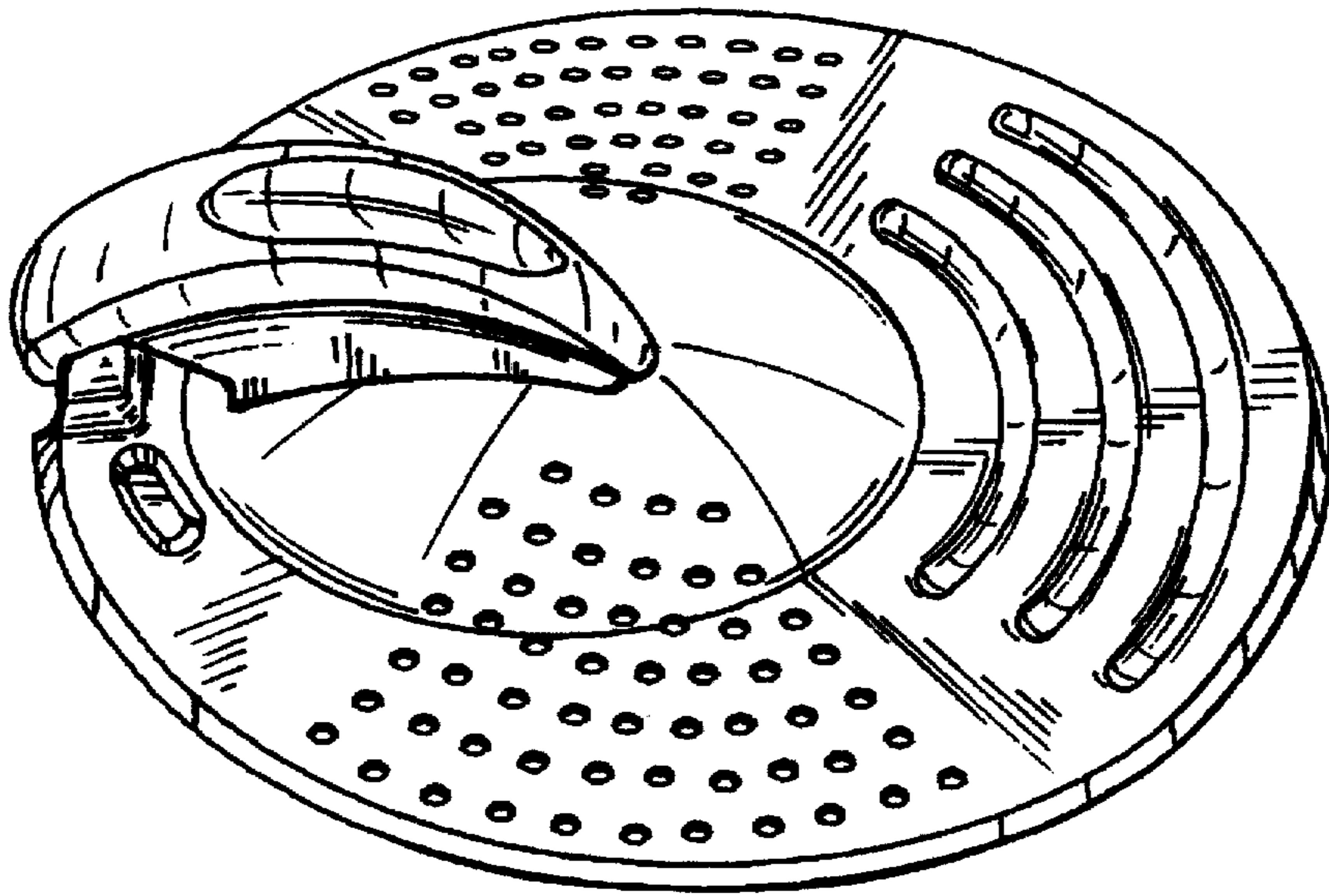


FIG. 7

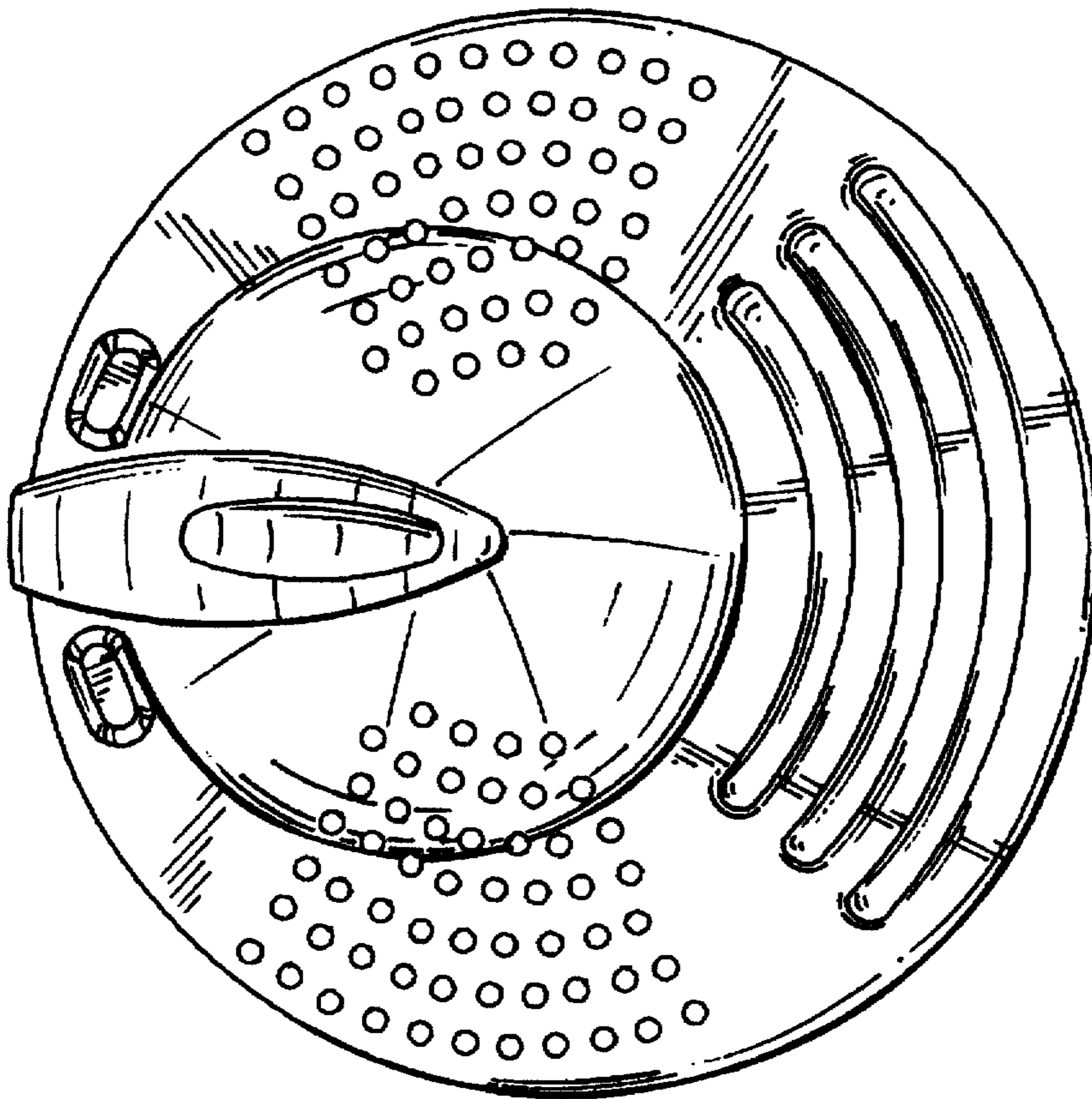


FIG. 8

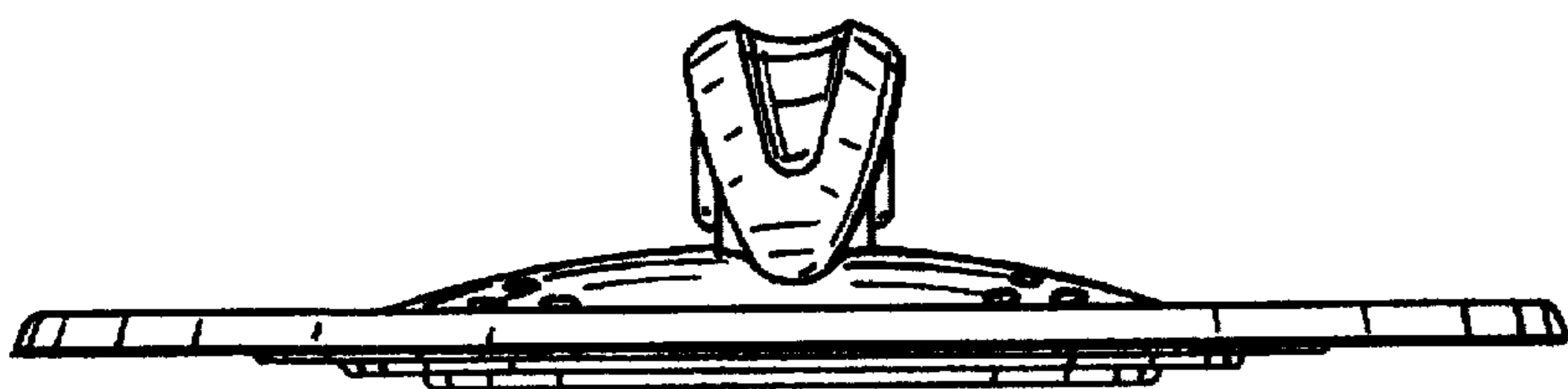


FIG. 9

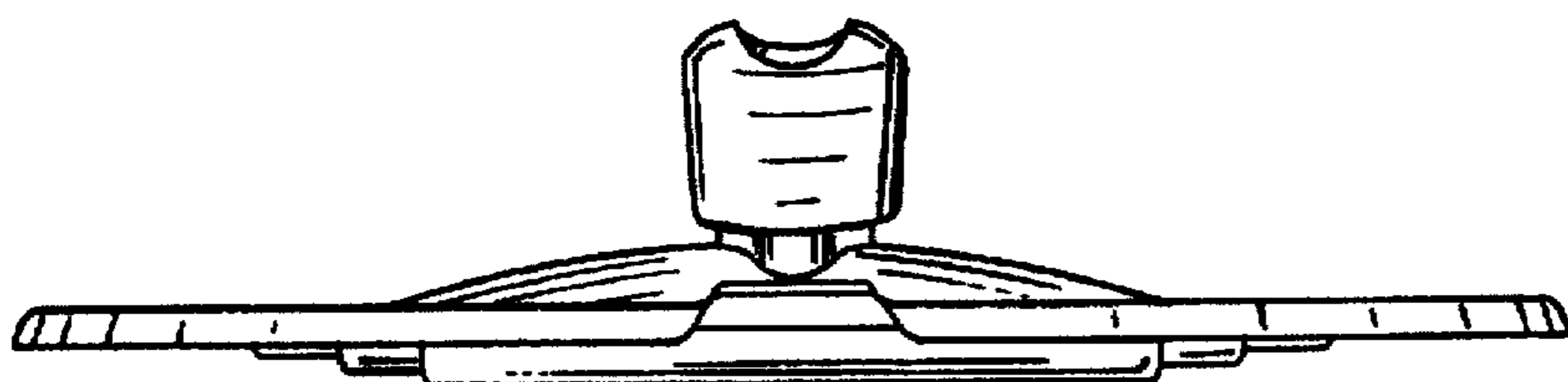


FIG. 10

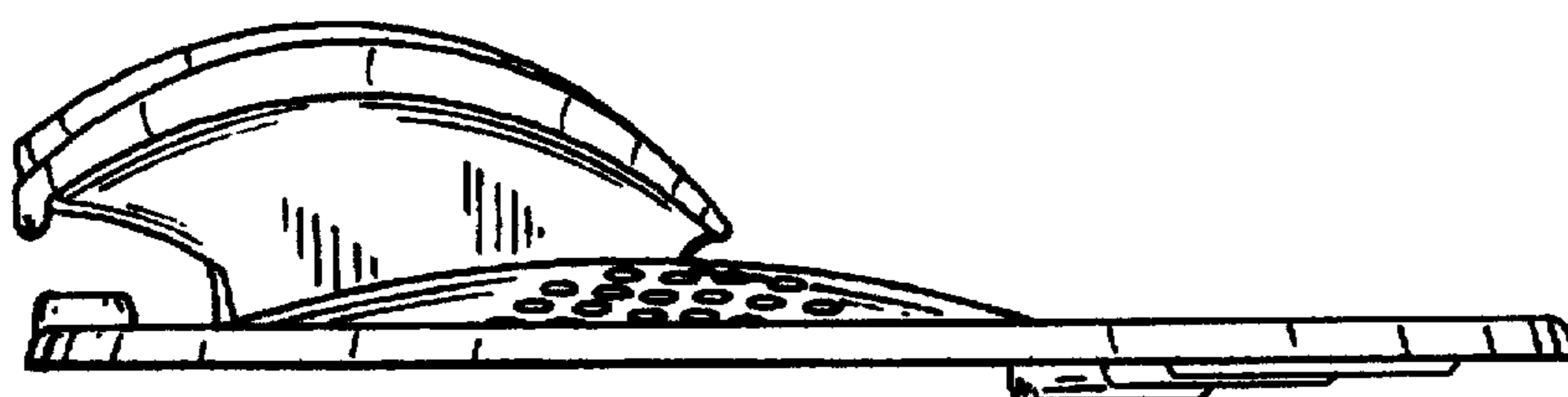


FIG. 11

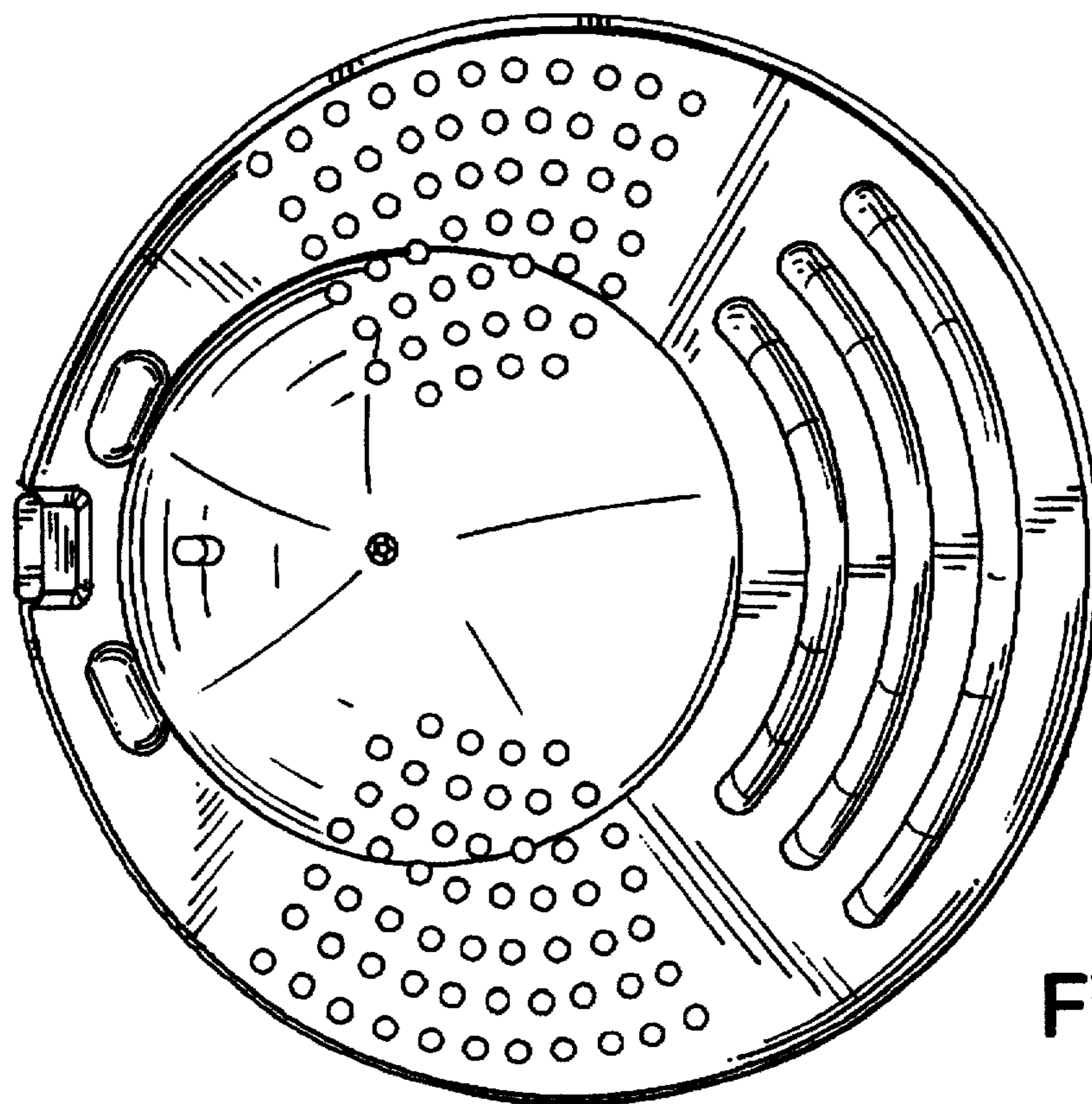


FIG. 12