



US00D388277S

United States Patent [19]
Scroggins

[11] **Patent Number: Des. 388,277**

[45] **Date of Patent: **Dec. 30, 1997**

[54] **BARBECUE GRILL**

[76] **Inventor: Timothy Alvin Scroggins, 1506½ Lone Oak, Houston, Tex. 77093**

[**] **Term: 14 Years**

[21] **Appl. No.: 54,296**

[22] **Filed: May 9, 1996**

[51] **LOC (6) Cl. 07-02**

[52] **U.S. Cl. D7/332**

[58] **Field of Search D7/332-337; 126/25 R, 126/25 A, 25 AA, 29, 30, 9 R, 9 B; D21/31**

[56] **References Cited**

U.S. PATENT DOCUMENTS

- D. 144,573 4/1946 Moore D7/334
- D. 279,536 7/1985 Braswell D7/335
- D. 284,256 6/1986 Moncrief D7/334

D. 292,547 11/1987 Bayer D7/332

Primary Examiner—Ruth McInroy
Attorney, Agent, or Firm—Arnold, White & Durkee

[57] **CLAIM**

The ornamental design for a barbecue grill, as shown and described.

DESCRIPTION

FIG. 1 is a side view of a barbecue grill showing my new design;

FIG. 2 is another side view of the barbecue grill of FIG. 1;

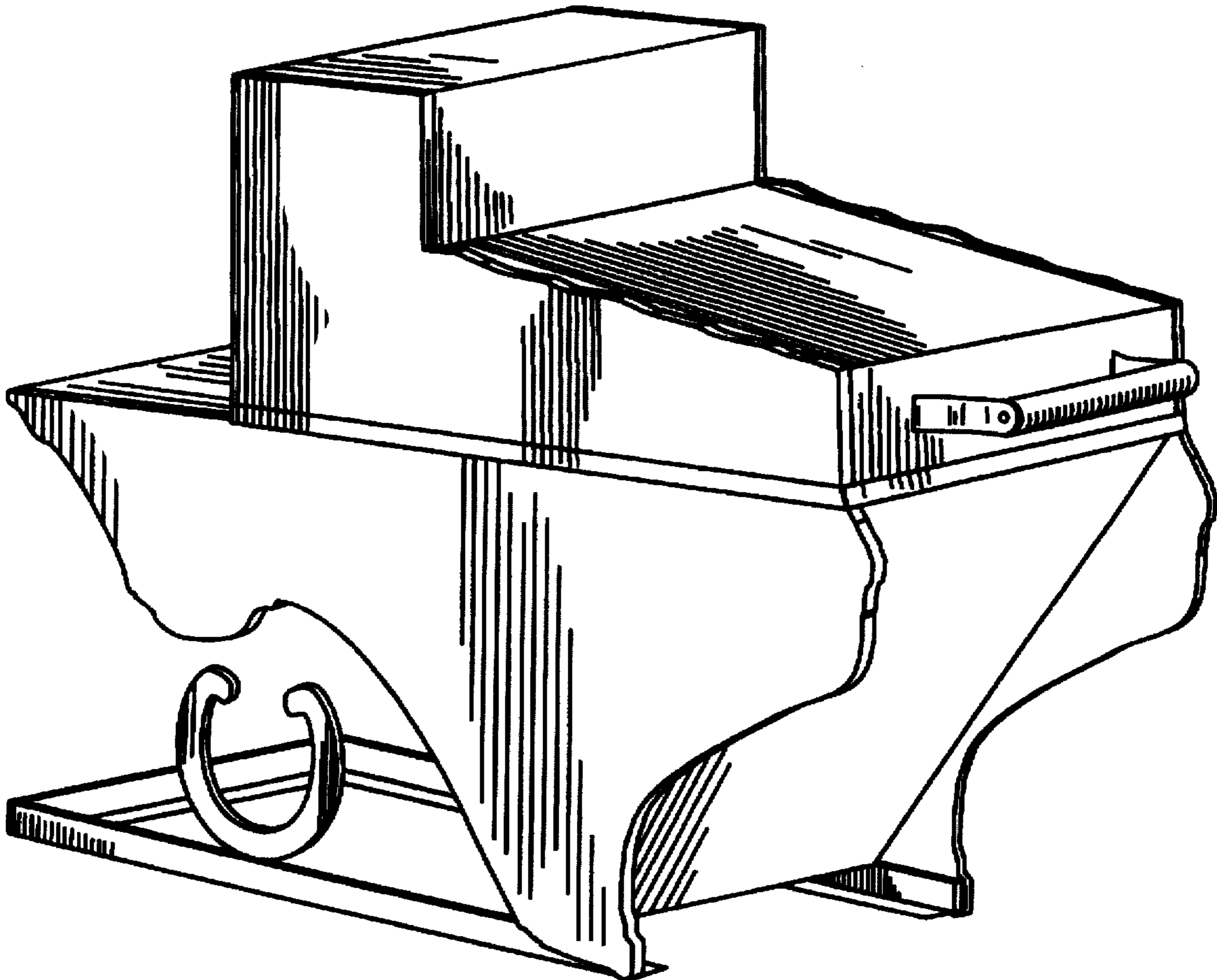
FIG. 3 is a rear view of the barbecue grill of FIG. 1;

FIG. 4 is a front view of the barbecue grill of FIG. 1;

FIG. 5 is a rear perspective view of the barbecue grill of FIG. 1; and,

FIG. 6 is a top plan view of the barbecue grill of FIG. 1.

1 Claim, 4 Drawing Sheets



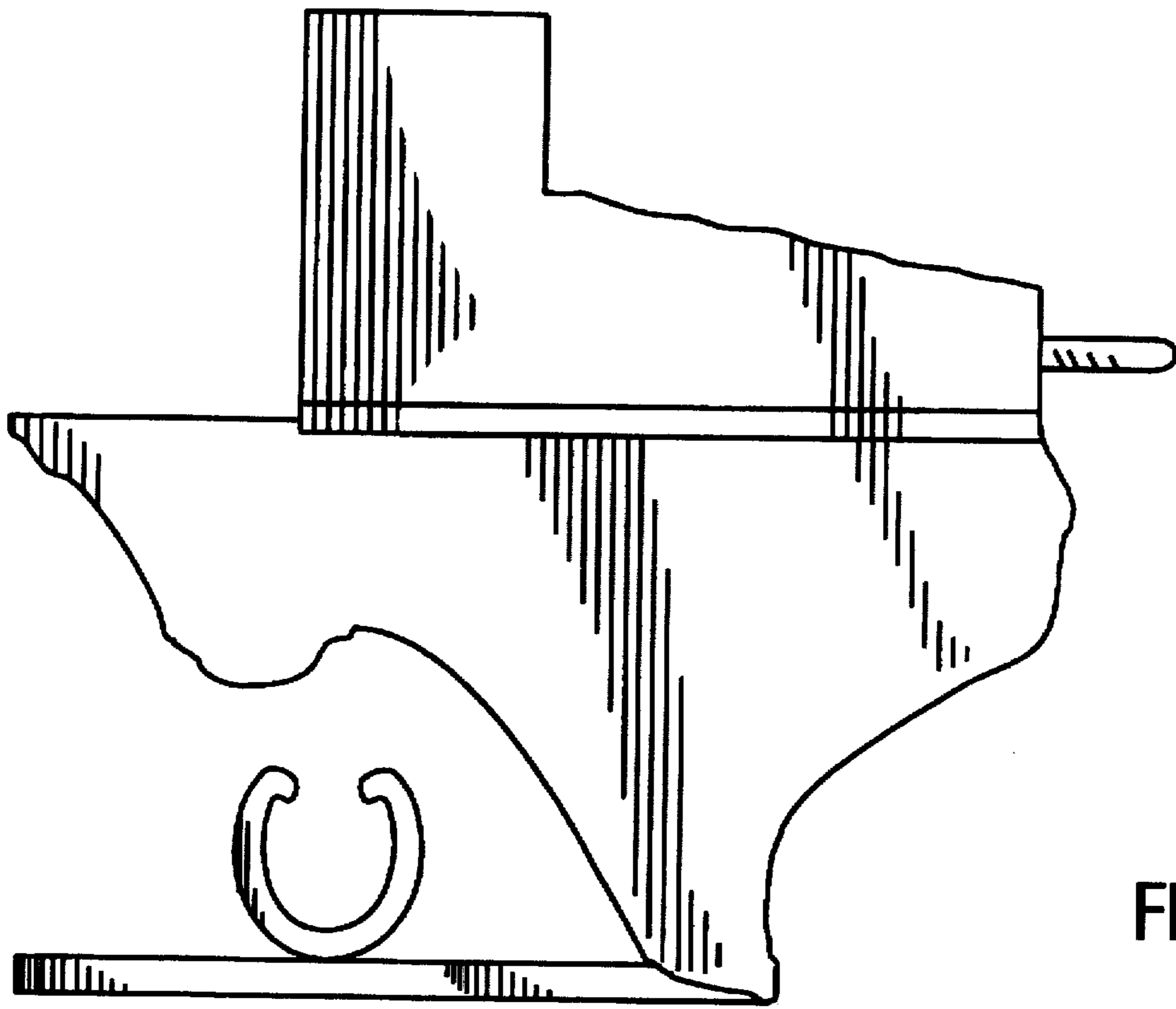


FIG. 1

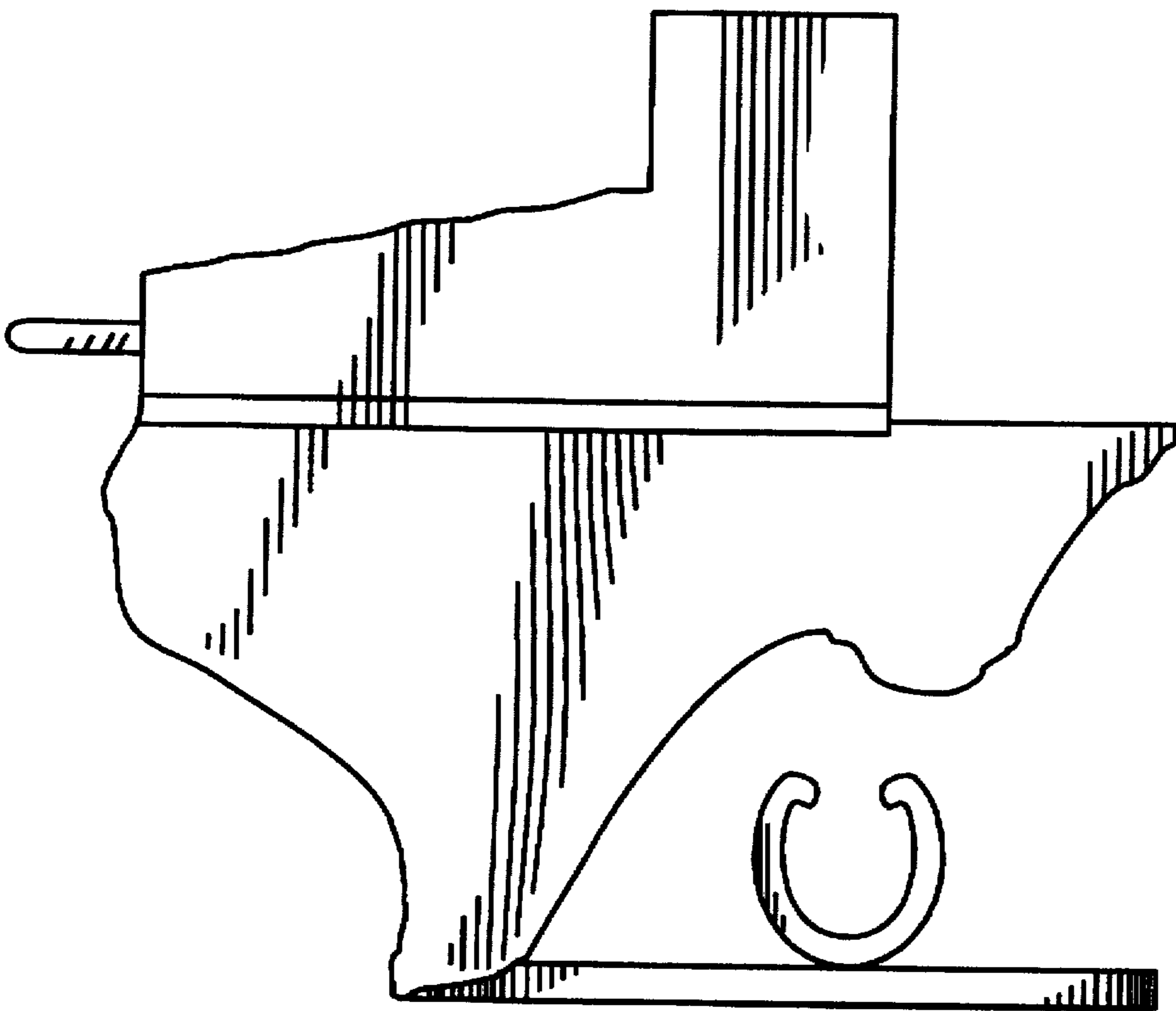


FIG. 2

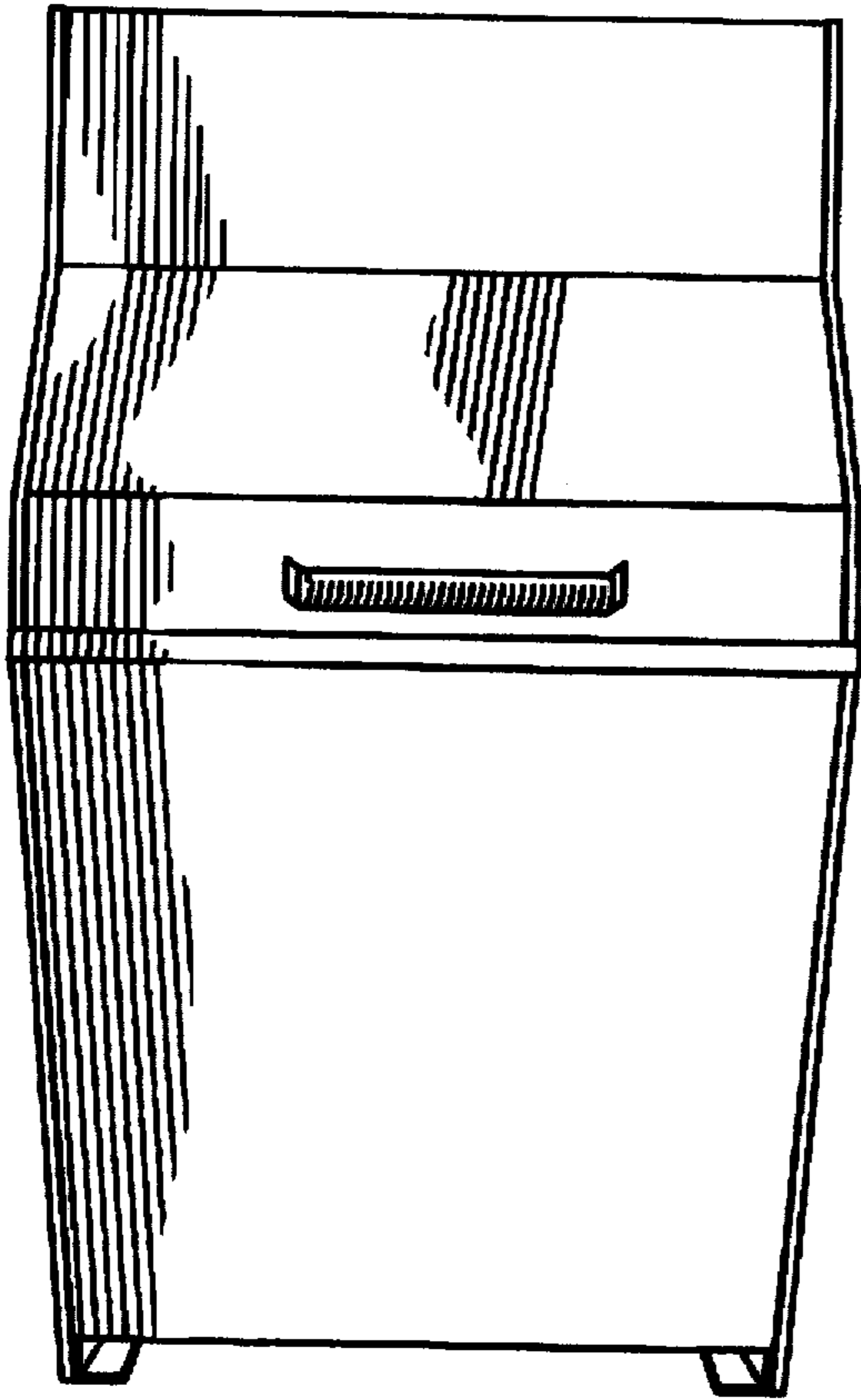


FIG. 3

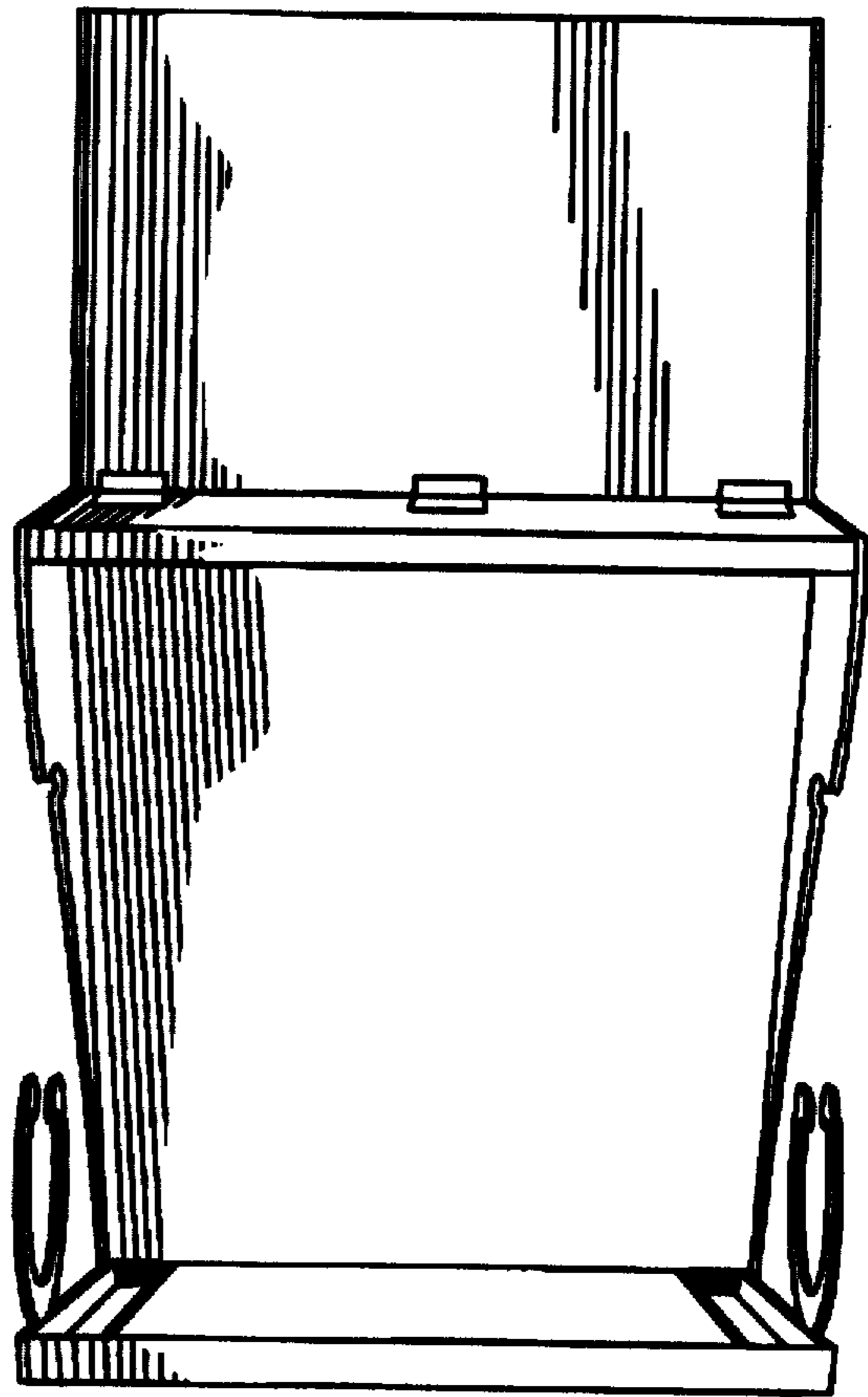


FIG. 4

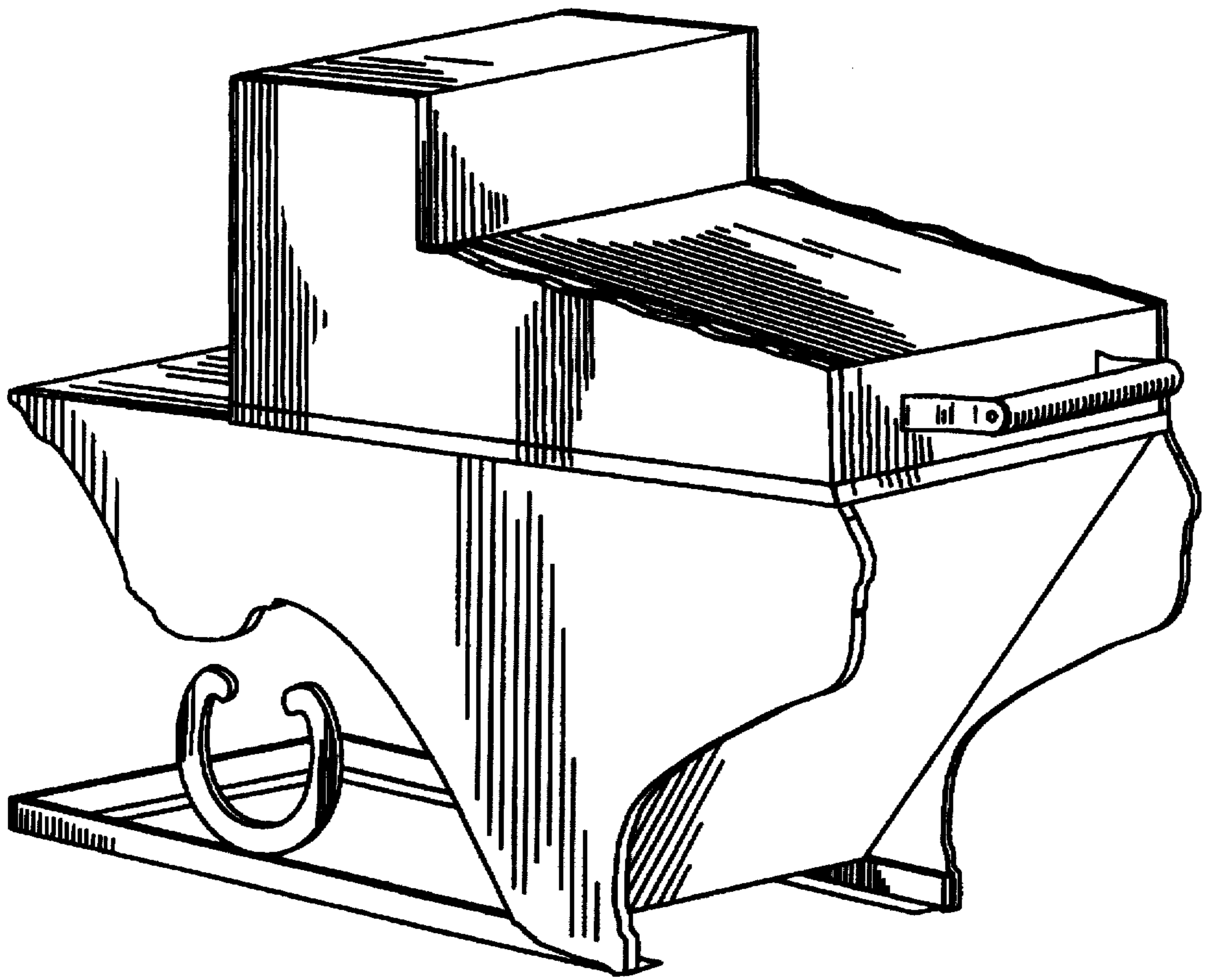


FIG. 5

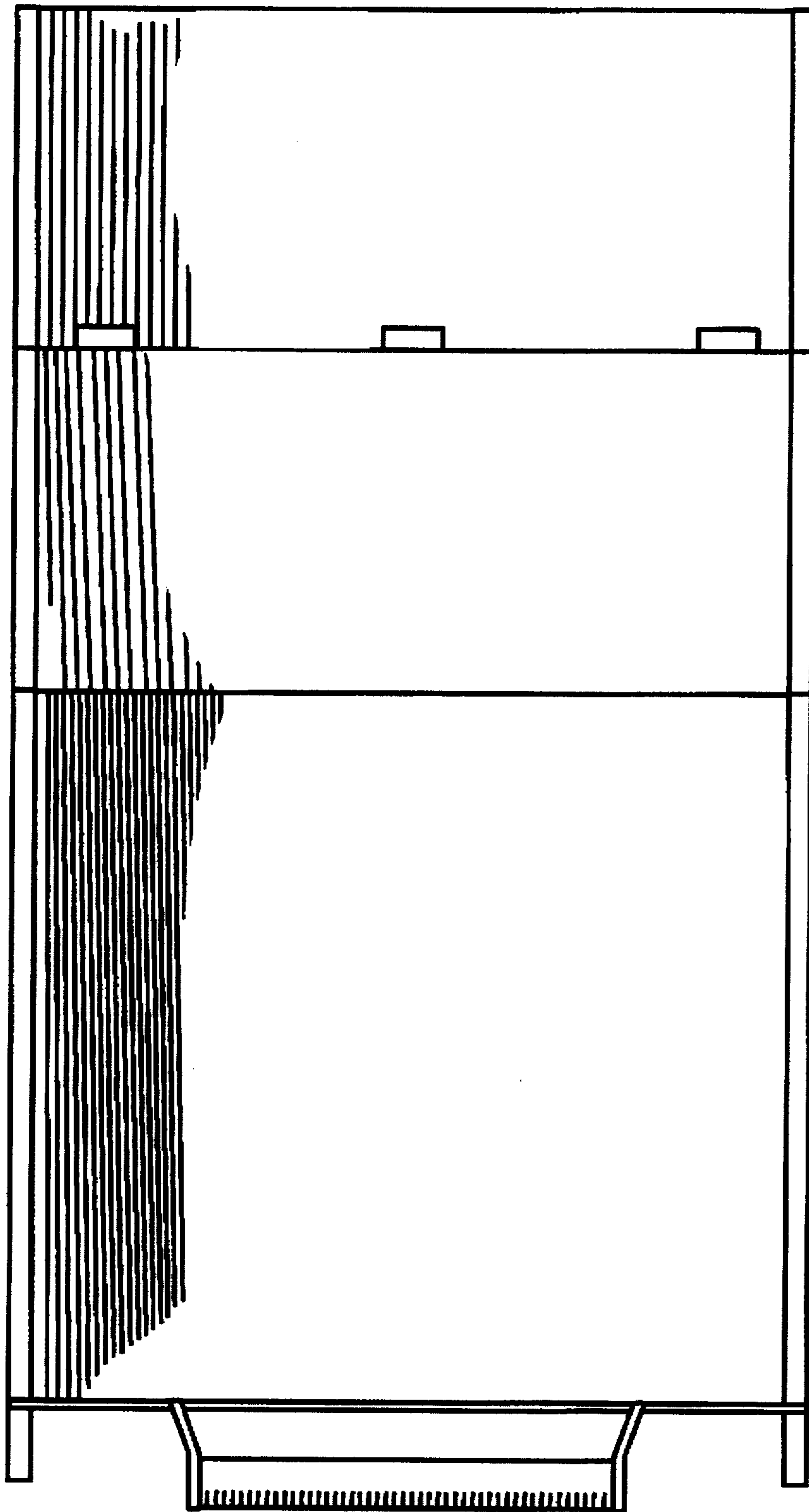


FIG. 6