



US00D388274S

# United States Patent [19]

Wang

[11] Patent Number: Des. 388,274

[45] Date of Patent: \*\*Dec. 30, 1997

## [54] TEA BREWING CONTAINER

[76] Inventor: **Chih-Hung Wang**, No. 81-8,  
Liu-Kuai-Liao, Liu-Jia Village, An-Ding  
Hsiang, Tainan Hsien, Taiwan

[\*\*] Term: 14 Years

[21] Appl. No.: 60,840

[22] Filed: Oct. 8, 1996

[51] LOC (6) Cl. .... 07-01

[52] U.S. Cl. .... D7/317; D7/318; D7/319

[58] Field of Search ..... D7/608, 300, 300.2,  
D7/312, 316, 317, 318, 319, 321, 322,  
397, 598, 600; D23/209, 212; D9/527;  
222/465.1

## [56] References Cited

### U.S. PATENT DOCUMENTS

D. 343,760 2/1994 Lin ..... D7/316 X

D. 368,404 4/1996 Zive ..... D7/318  
1,472,901 11/1923 Brenner et al. .... D7/317 X  
4,623,457 11/1986 Hankammer ..... D7/400 X

*Primary Examiner*—M. N. Pandozzi  
*Attorney, Agent, or Firm*—Kenyon & Kenyon

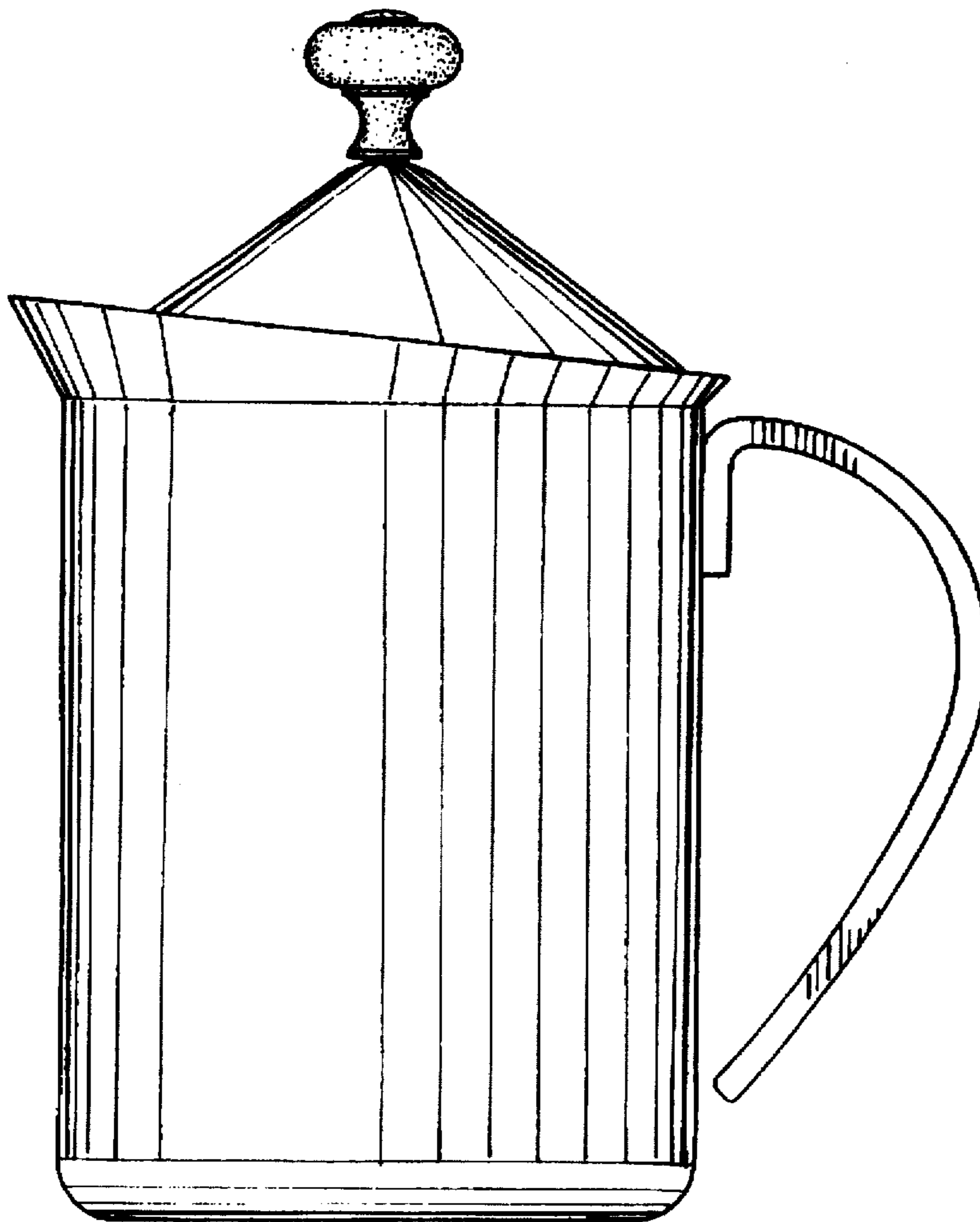
## [57] CLAIM

The ornamental design for tea brewing container, as shown and described.

## DESCRIPTION

FIG. 1 is a perspective view of tea brewing container showing my new design;  
FIG. 2 is a front elevational view thereof;  
FIG. 3 is a rear elevational view thereof;  
FIG. 4 is a left side elevational view thereof;  
FIG. 5 is a right side elevational view thereof;  
FIG. 6 is a top plan view thereof;  
FIG. 7 is a bottom plan view thereof; and,  
FIG. 8 is a sectional view thereof taken along line 8—8 of FIG. 2.

1 Claim, 5 Drawing Sheets



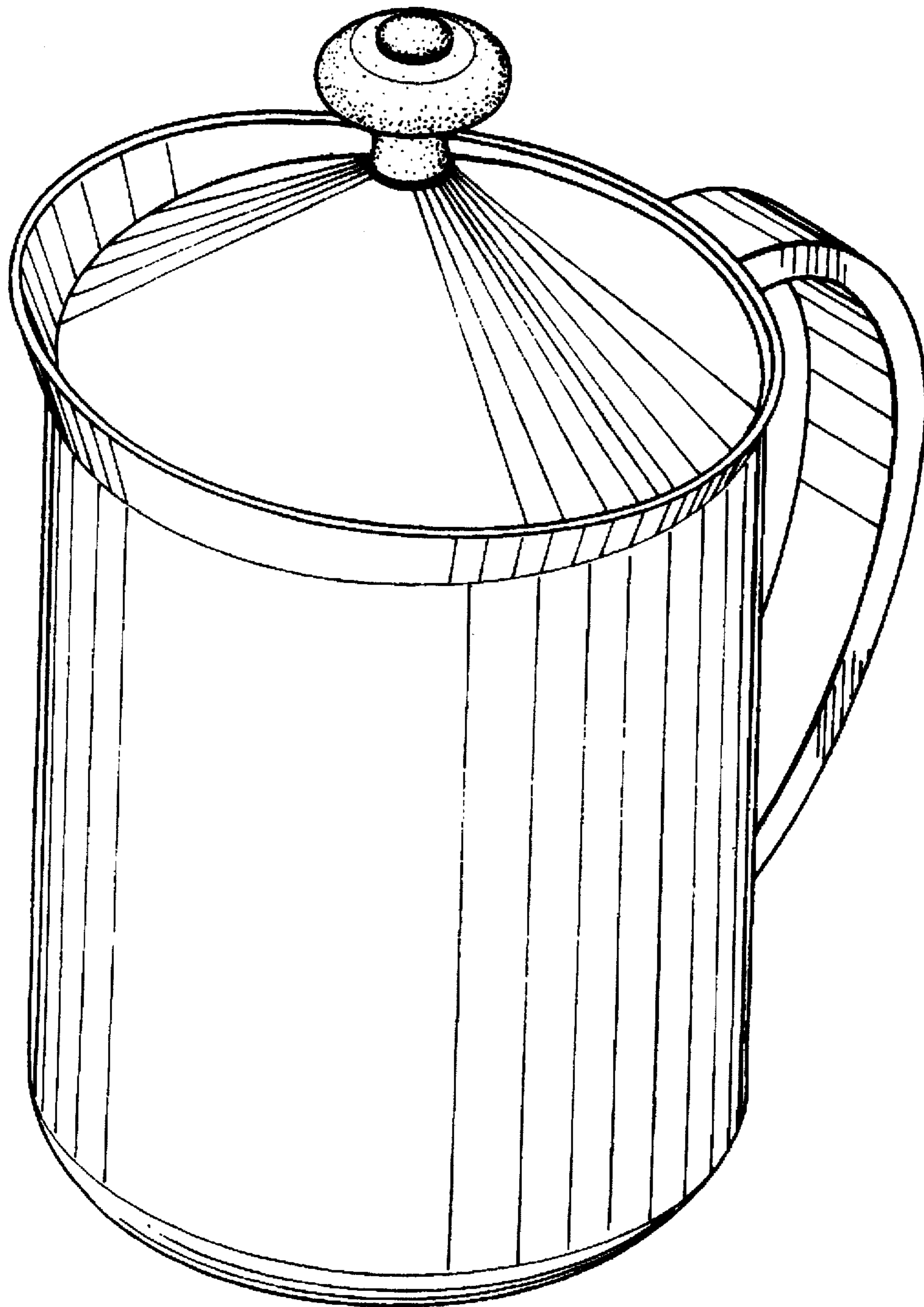


FIG. 1

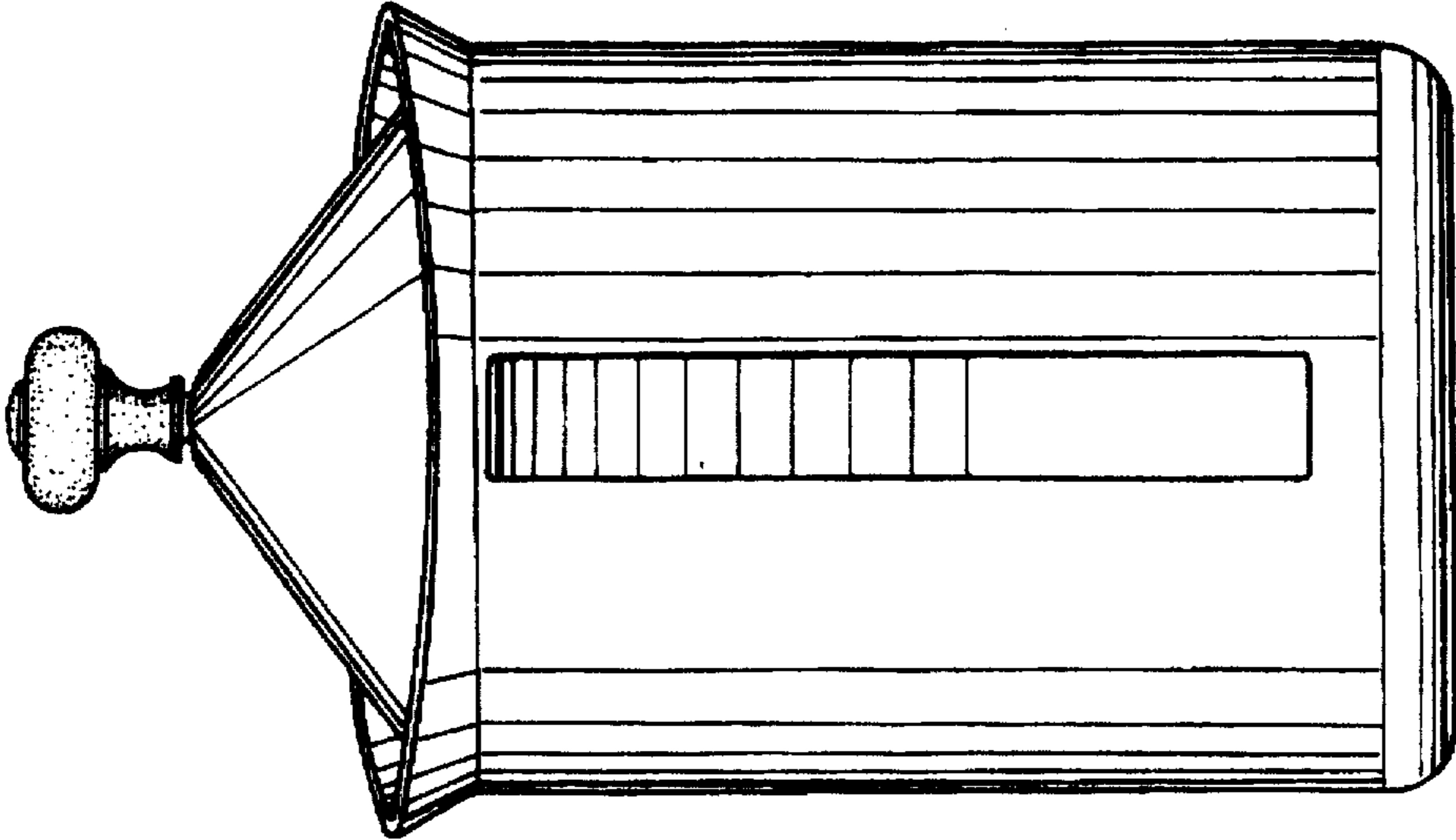


FIG. 3

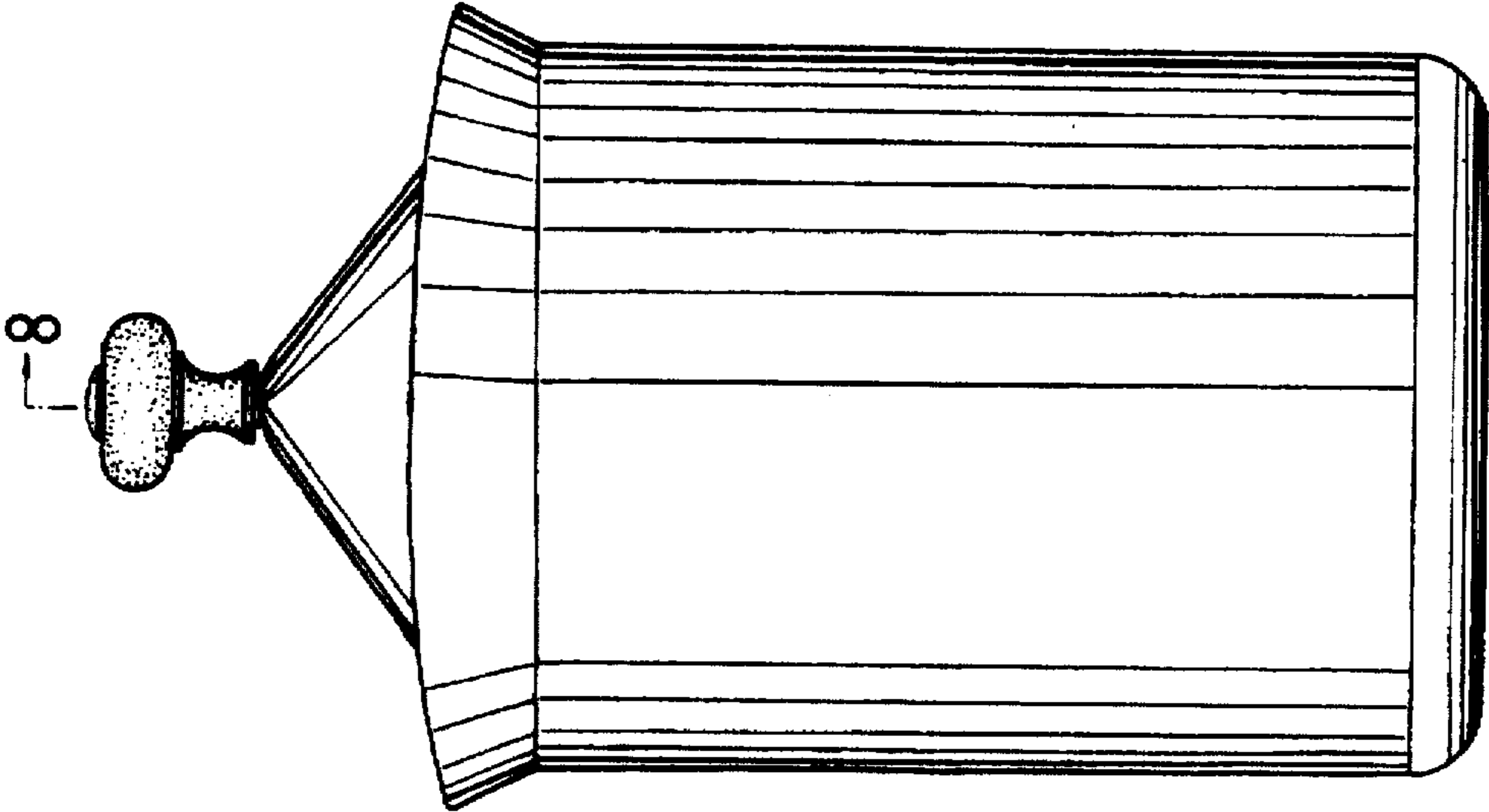


FIG. 2

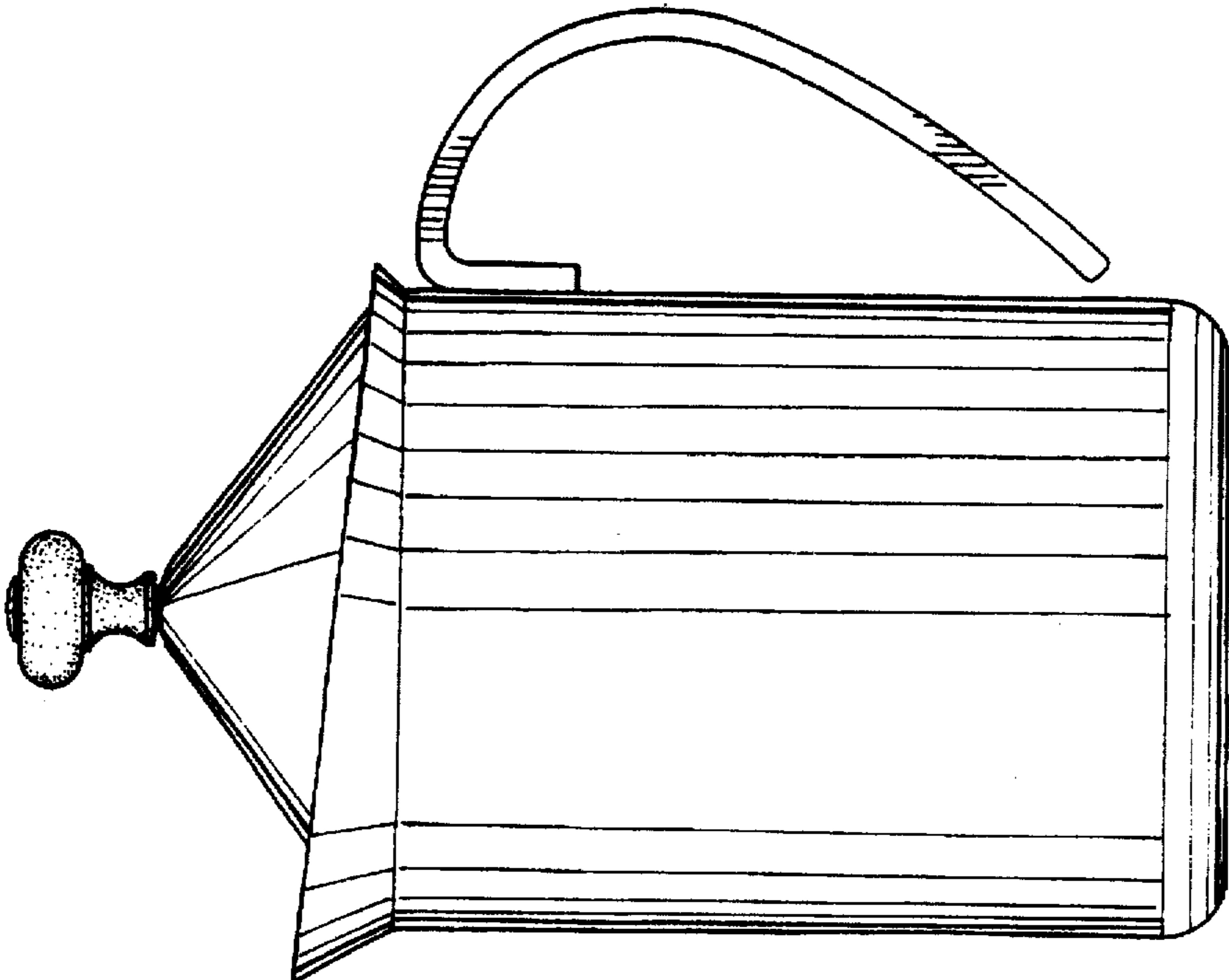


FIG. 5

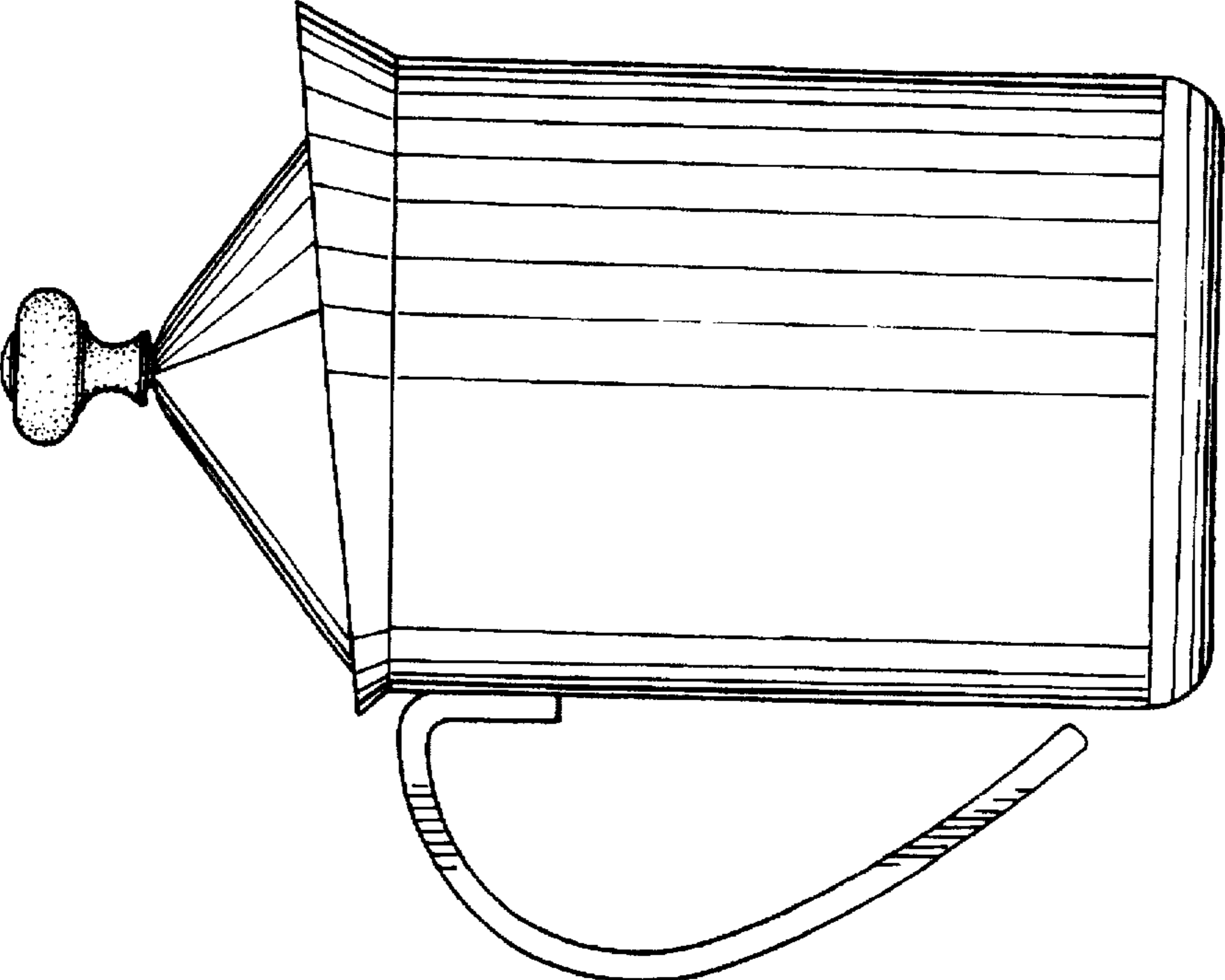


FIG. 4

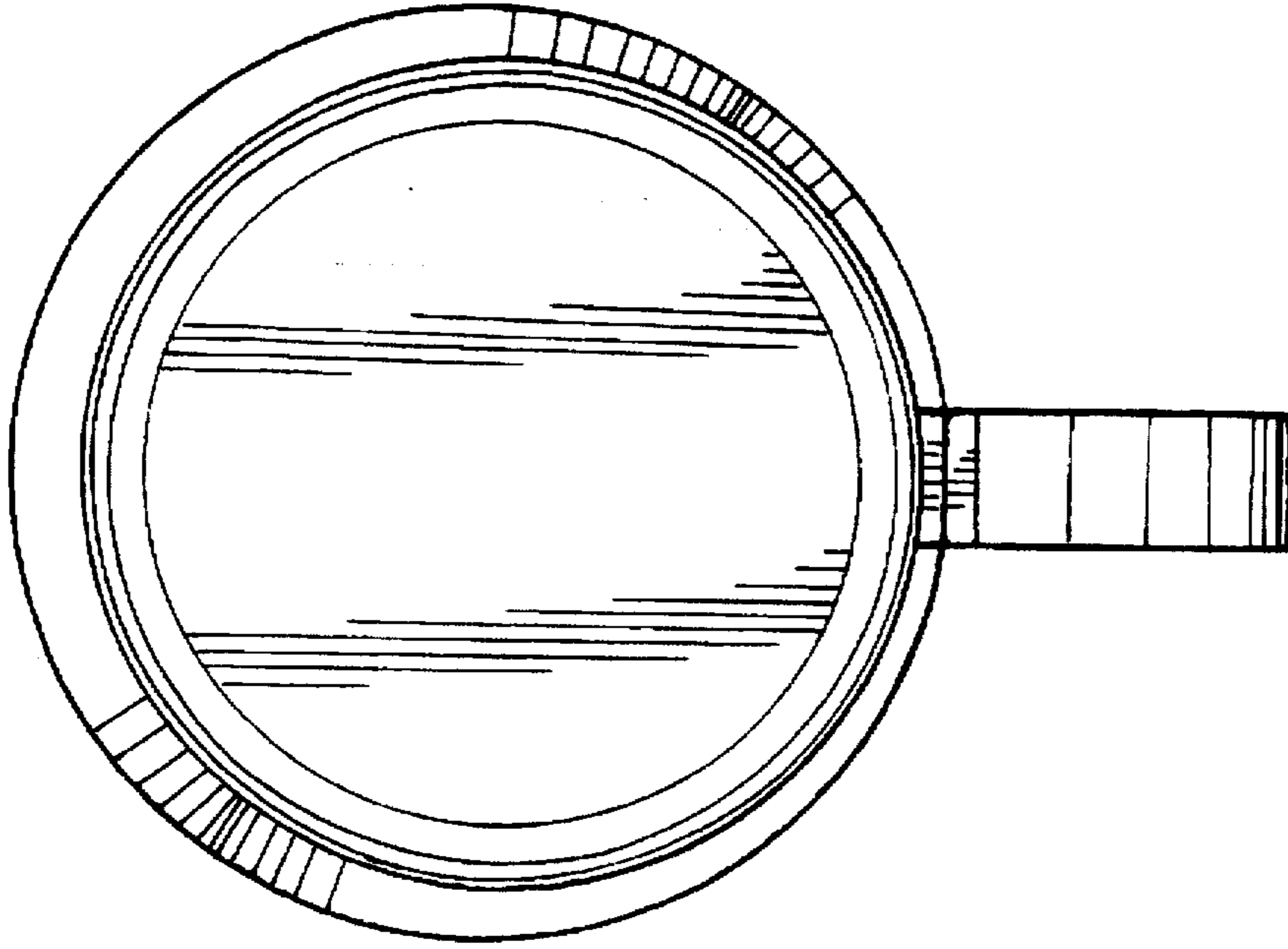


FIG. 7

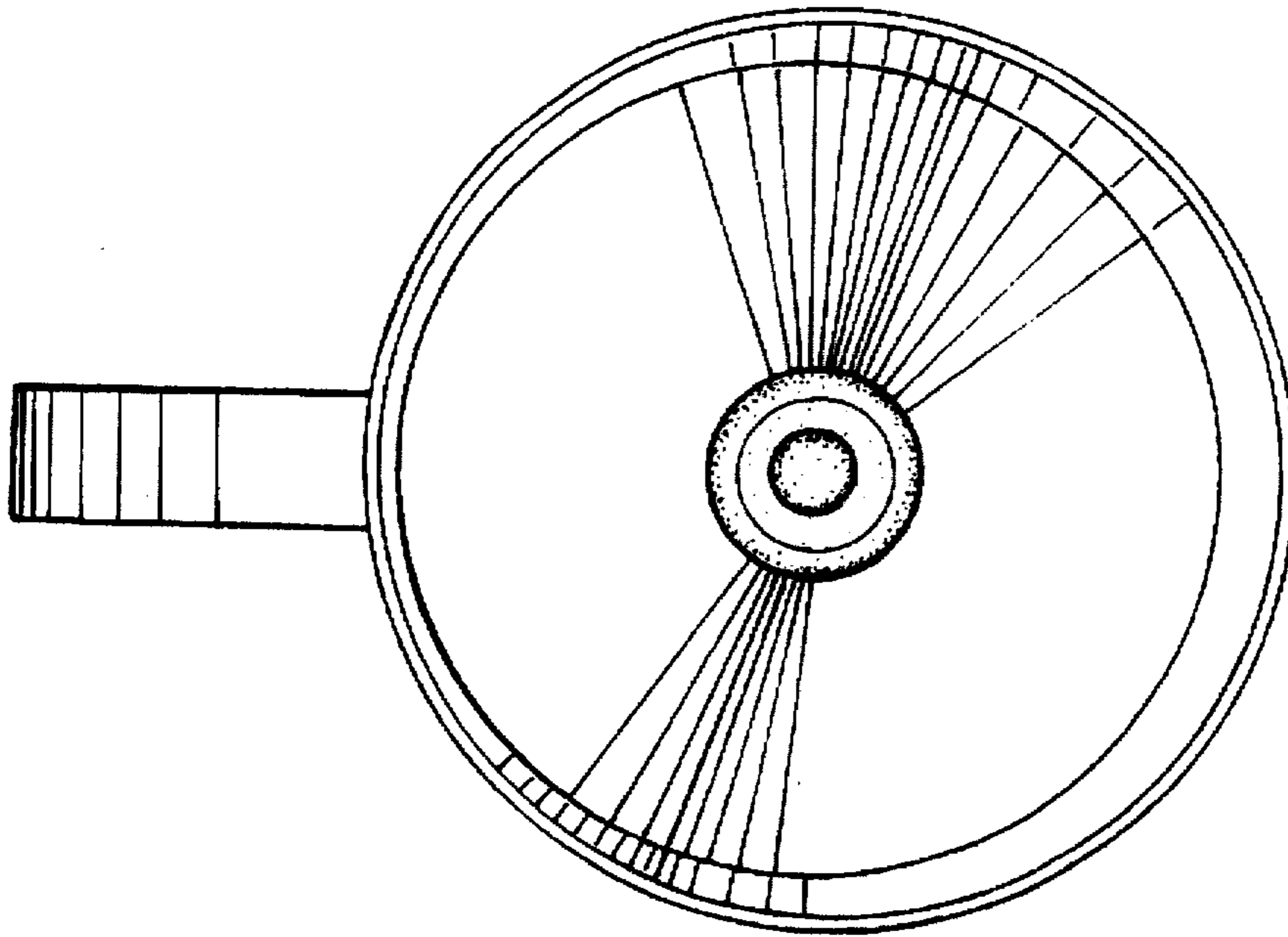


FIG. 6

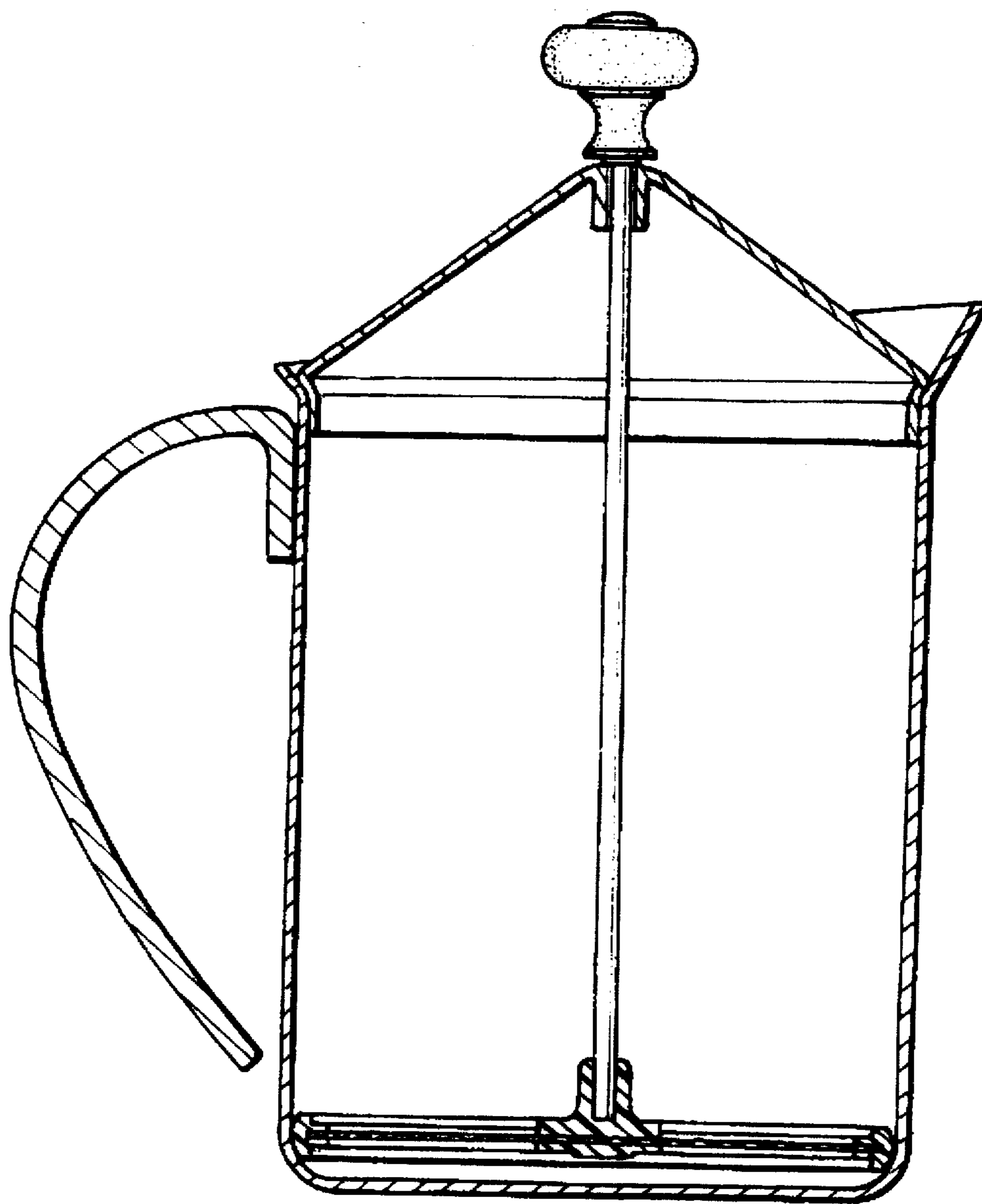


FIG. 8