



US00D388270S

United States Patent [19]

Schultz et al.

[11] Patent Number: Des. 388,270

[45] Date of Patent: **Dec. 30, 1997

[54] CHAIR ARM

[75] Inventors: Craig H. Schultz; Douglas A. Schroeder, both of Muscatine, Iowa

[73] Assignee: HON Industries Inc., Muscatine, Iowa

[**] Term: 14 Years

[21] Appl. No.: 64,158

[22] Filed: Dec. 23, 1996

[51] LOC (6) Cl. 06-06

[52] U.S. Cl. D6/501

[58] Field of Search D6/334, 364, 365, D6/366, 367, 379, 500, 501, 502; 297/411.2

[56] **References Cited**

U.S. PATENT DOCUMENTS

- D. 273,640 5/1984 Pettit D6/366
- D. 273,918 5/1984 Keeler D69/367

- D. 288,387 2/1987 Oshsner D6/366
- D. 312,176 11/1990 Heidmann D6/502

Primary Examiner—Gary D. Watson
Attorney, Agent, or Firm—Jones, Day, Reavis & Pogue

[57] **CLAIM**

The ornamental design for a chair arm, as shown and described.

DESCRIPTION

FIG. 1 is a front perspective view of a chair arm showing our new design;
 FIG. 2 is a front elevational view thereof;
 FIG. 3 is a rear elevational view thereof;
 FIG. 4 is a top plan view thereof;
 FIG. 5 is a right side elevational view thereof;
 FIG. 6 is a left side elevational view thereof; and,
 FIG. 7 is a bottom plan view thereof.
 The broken lines shown in FIG. 1 are for environmental purposes only and do not form a part of our design.

1 Claim, 3 Drawing Sheets

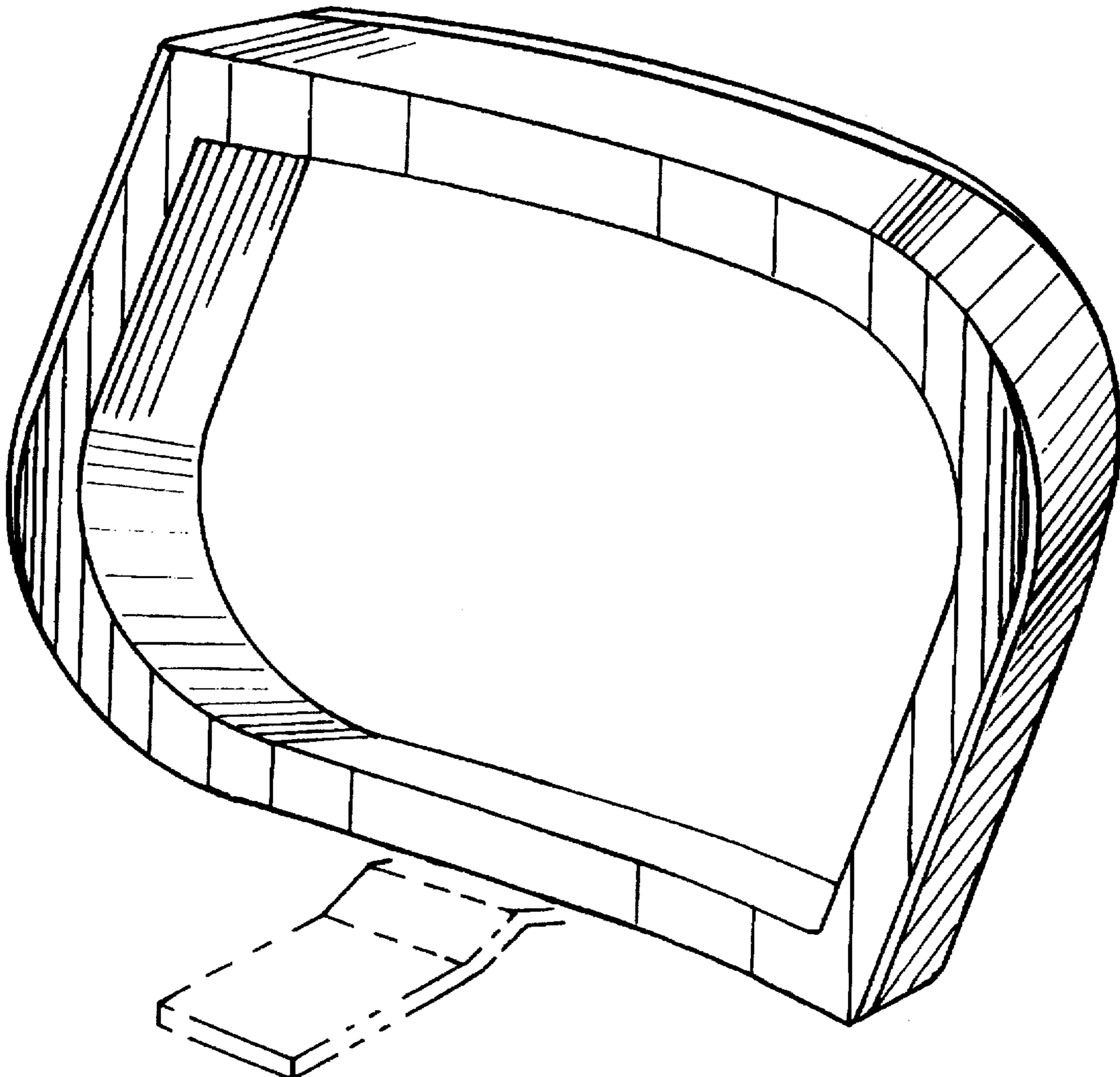


FIG. 1

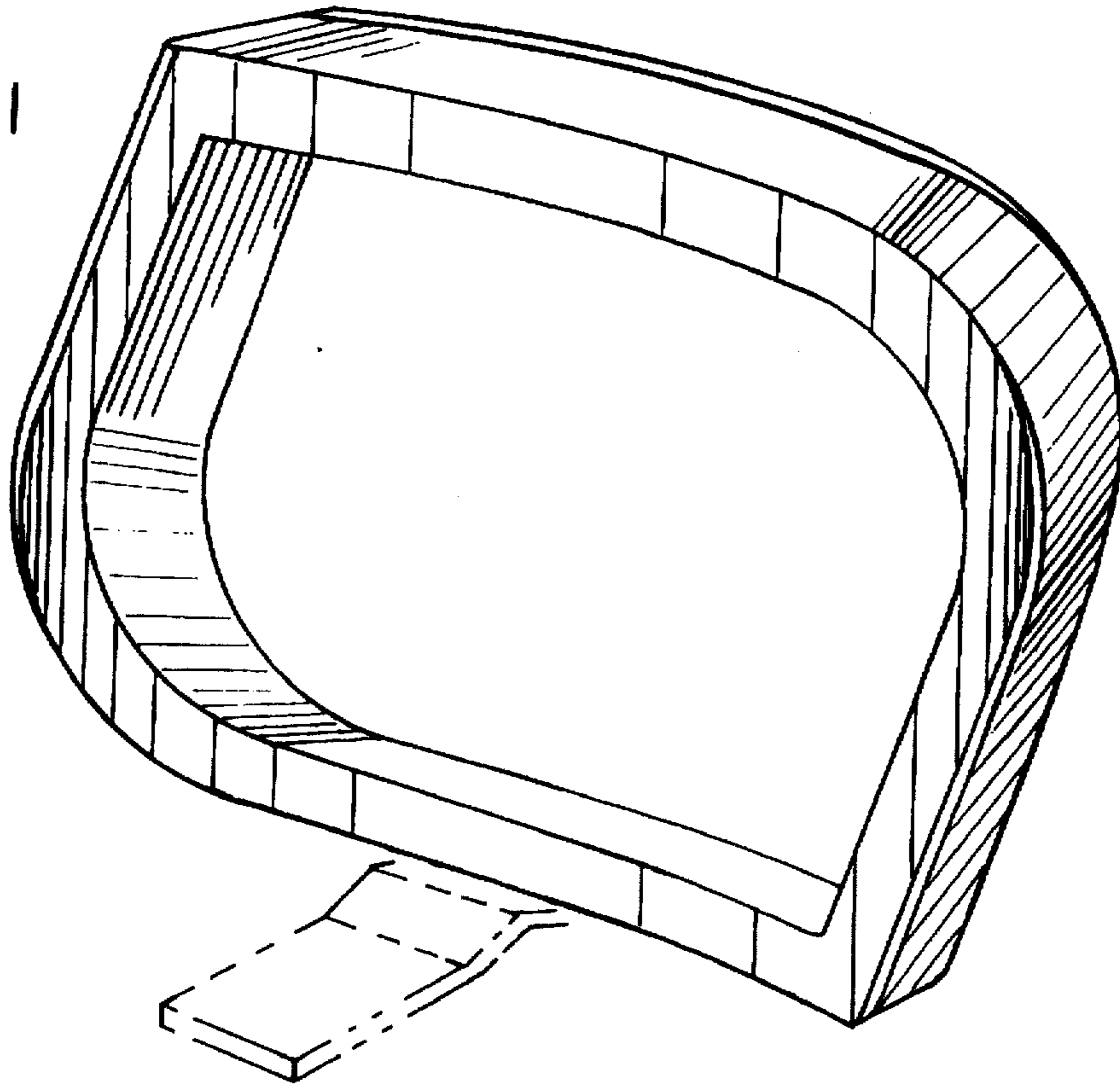


FIG. 3

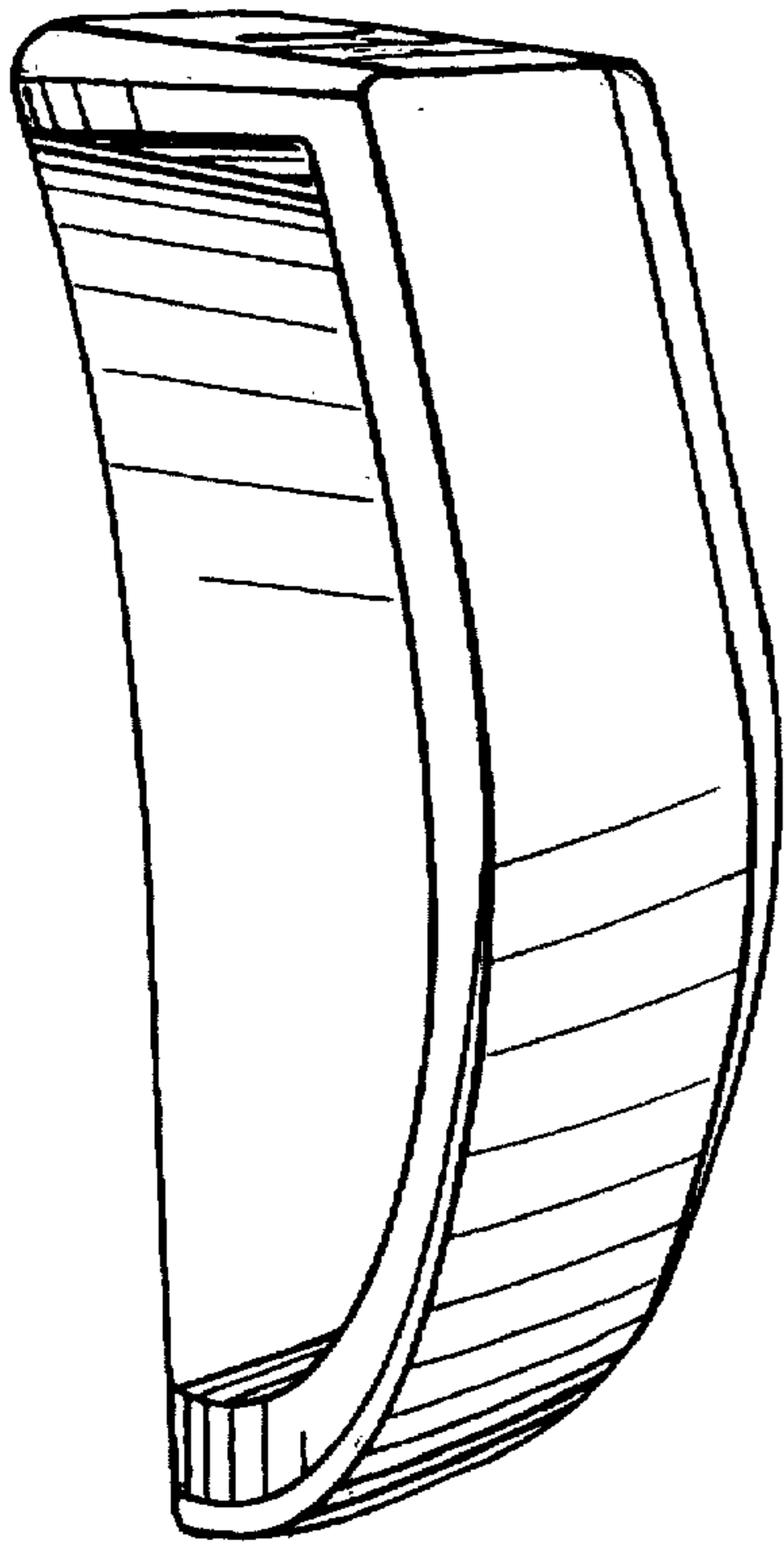


FIG. 2

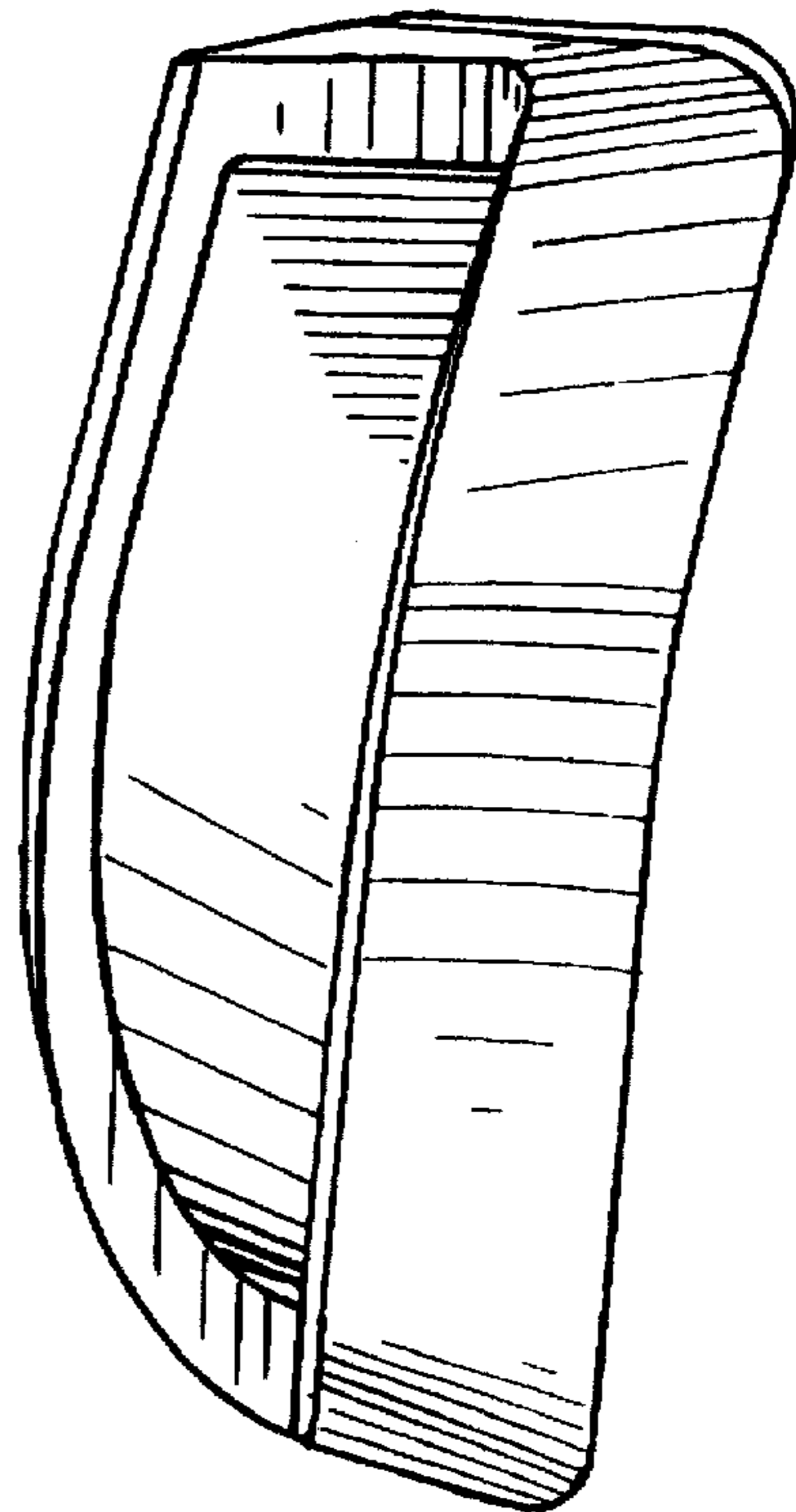


FIG. 4

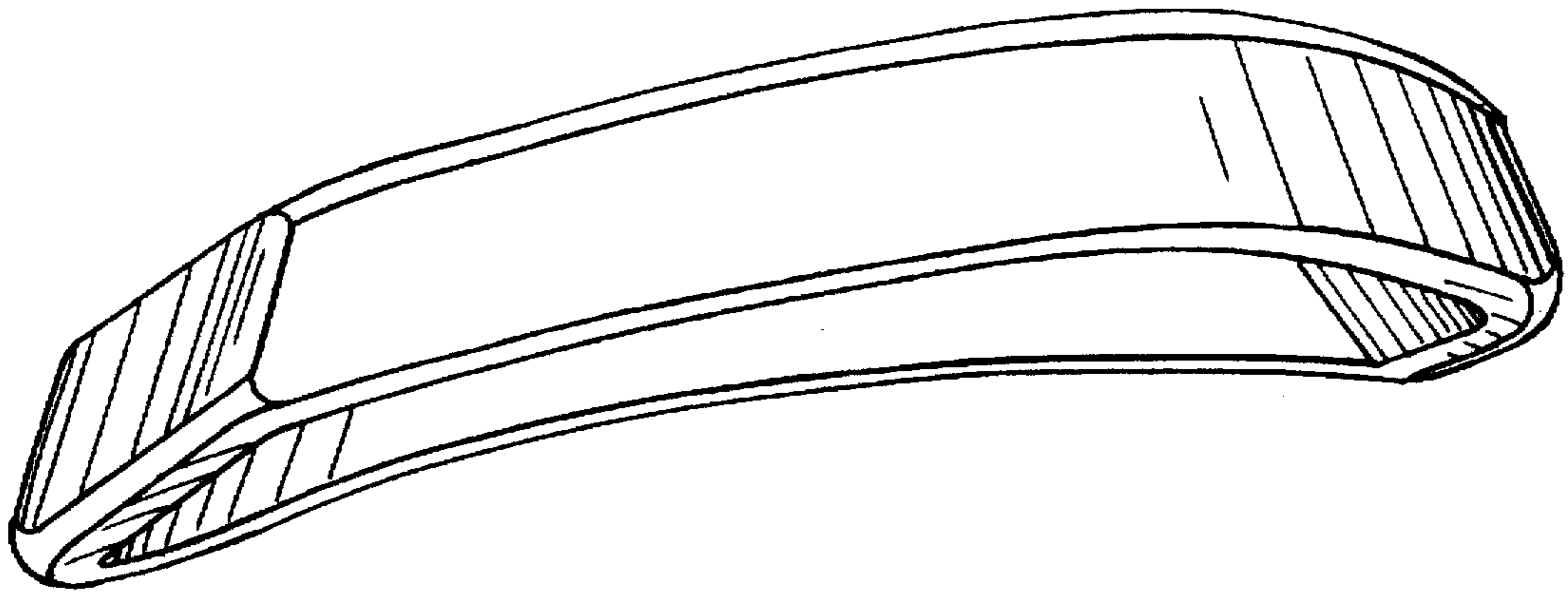


FIG. 5

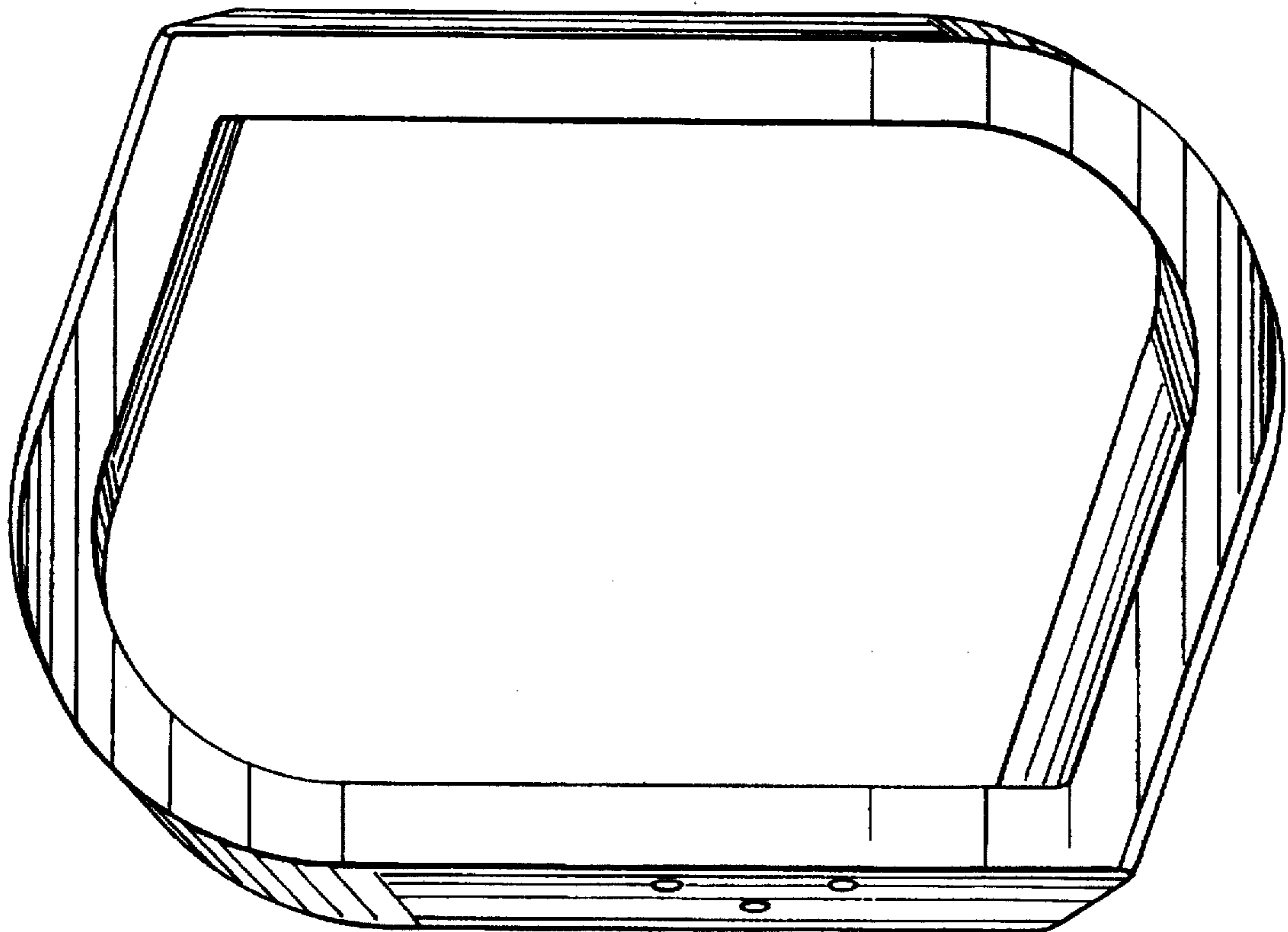


FIG. 6

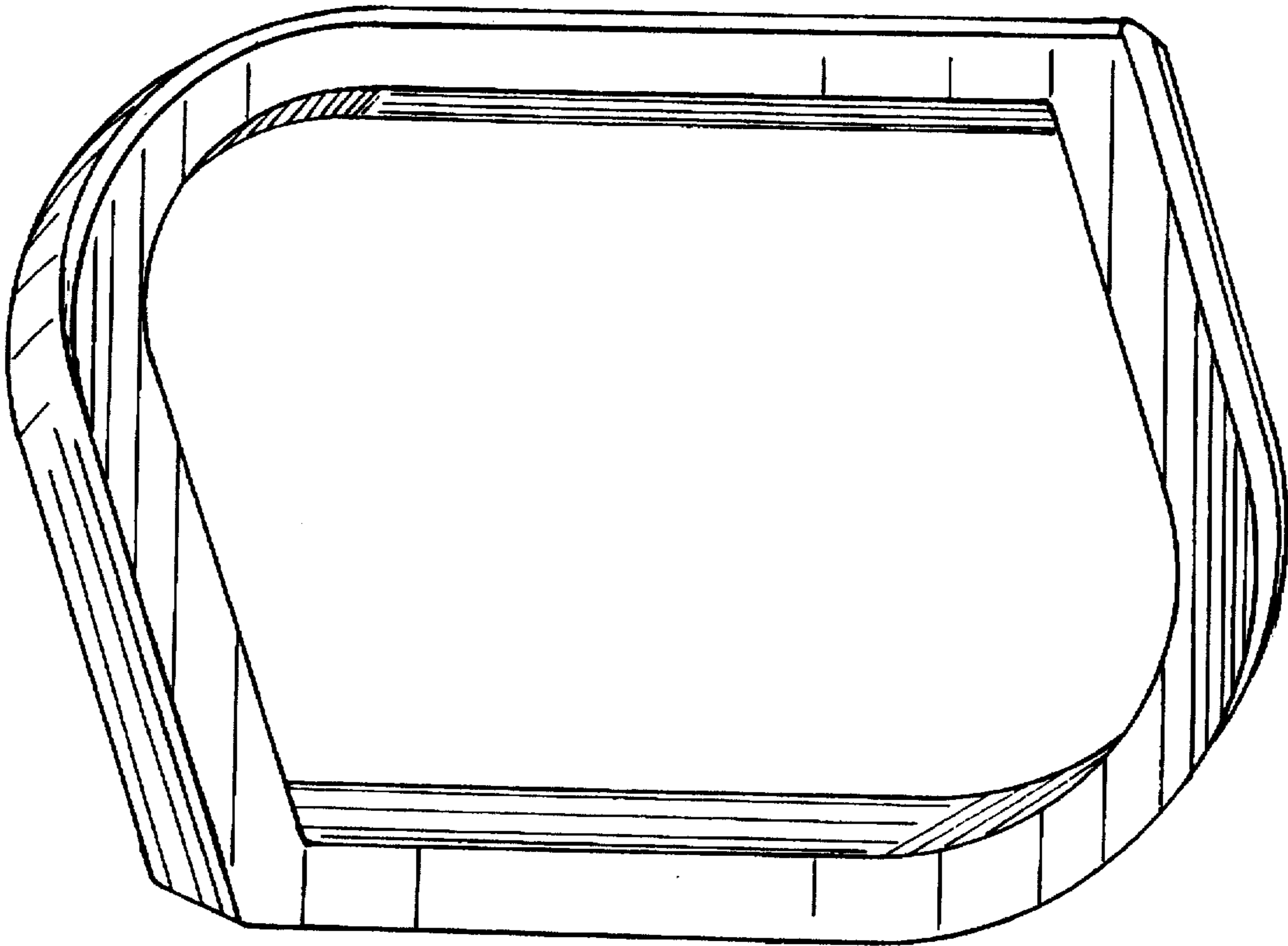


FIG. 7

