



US00D388269S

# United States Patent [19]

Tedesco et al.

[11] Patent Number: Des. 388,269

[45] Date of Patent: \*\*Dec. 30, 1997

[54] PAIR OF CHAIR ARMS

[75] Inventors: **Romeo Tedesco, Weston; Jocelyn Beaulieu**, Newmarket, both of Canada

[73] Assignee: **Global Upholstery Company**, Downsview, Canada

[\*\*] Term: 14 Years

[21] Appl. No.: 50,888

[22] Filed: Feb. 29, 1996

### Related U.S. Application Data

[63] Continuation-in-part of Ser. No. 497,657, Jun. 30, 1995, Pat. No. 5,577,804, and Ser. No. 557,260, Nov. 14, 1995.

[51] LOC (6) CL ..... 06-06

[52] U.S. Cl. .... D6/501; D6/366

[58] Field of Search ..... D6/334, 365, 366, D6/367, 379, 500, 501, 502; 297/411.2

### [56] References Cited

#### U.S. PATENT DOCUMENTS

D. 108,890	3/1938	Powell	.....	D6/366
D. 109,152	4/1938	Powell	.....	D6/366
D. 282,510	2/1986	Diffrient	.....	D6/366
D. 299,799	2/1989	Muller-Deisig et al.	.....	D6/500
D. 299,987	2/1989	Jenkins	.....	D6/366
D. 305,183	12/1989	Carter et al.	.....	D6/366
D. 348,570	7/1994	Scheyer et al.	.....	D6/366

D. 348,786	7/1994	Tolleson et al.	.....	D6/366
D. 366,792	2/1996	McDiarmid	.....	D6/501
D. 369,705	5/1996	George et al.	.....	D6/500
D. 374,778	10/1996	Tedesco et al.	.....	D6/366

### OTHER PUBLICATIONS

Interiors, Apr. 1982, p. 6, Knoll Chair Shown. Wholesale Furniture, Chair #88306 at mid page right.

Primary Examiner—Gary D. Watson  
Attorney, Agent, or Firm—Philip Mendes da Costa Bereskin & Parr

### [57] CLAIM

The ornamental design for a pair of chair arms, as shown and described.

### DESCRIPTION

FIG. 1 is a prospective view from the front and to one side of the arms of a chair. The chair is shown in dotted outline and does not form part of the design;

FIG. 2 is a front elevational view of a chair having the arms of FIG. 1.

FIG. 3 is a side elevational view of an arm of FIG. 1, the opposite arm being a mirror image thereof;

FIG. 4 is a rear elevational view of a chair having the arms of FIG. 1; and,

FIG. 5 is a top plan view of a chair having the arms of FIG. 1.

1 Claim, 2 Drawing Sheets





FIG. 1.

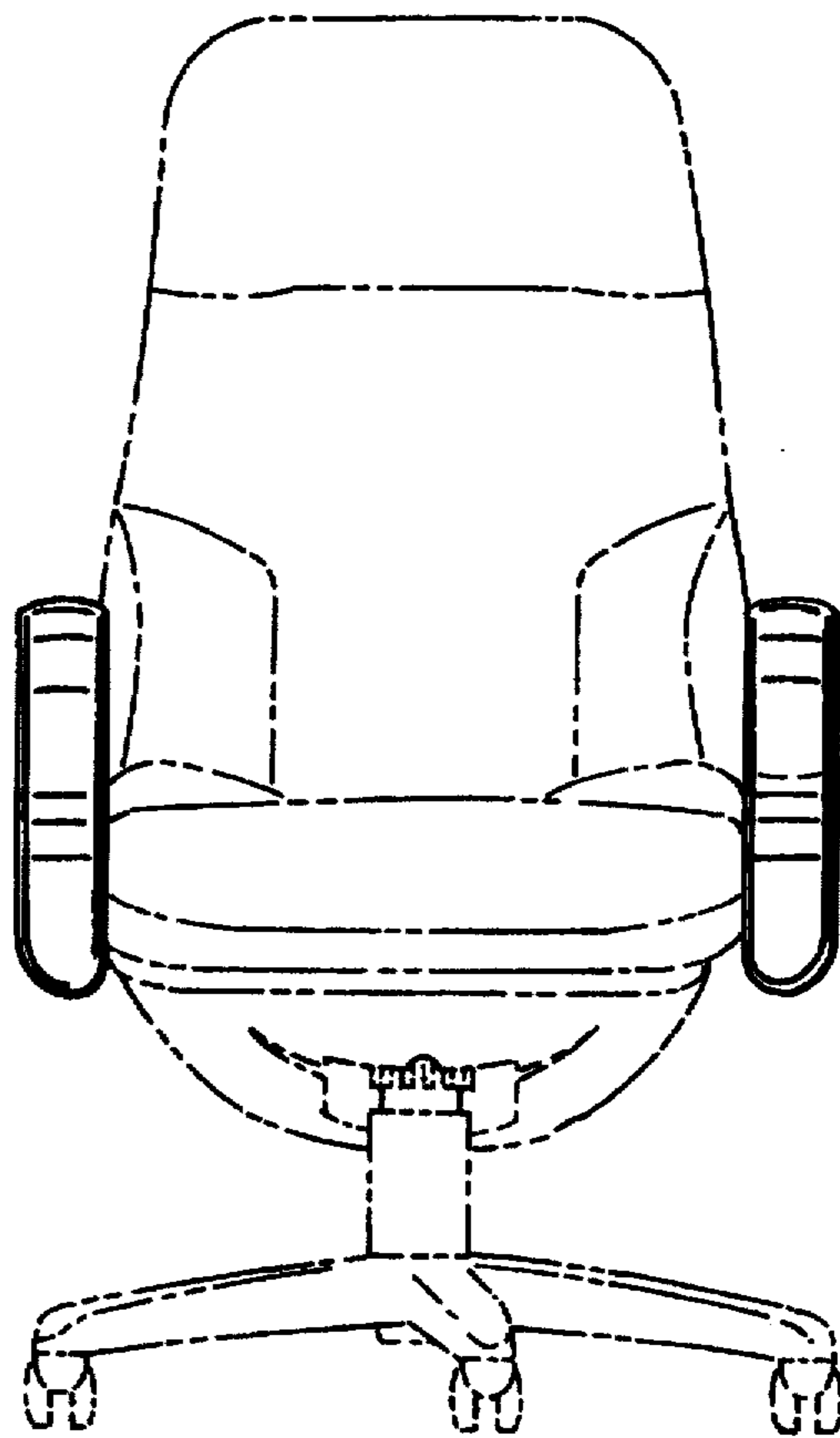


FIG. 2.

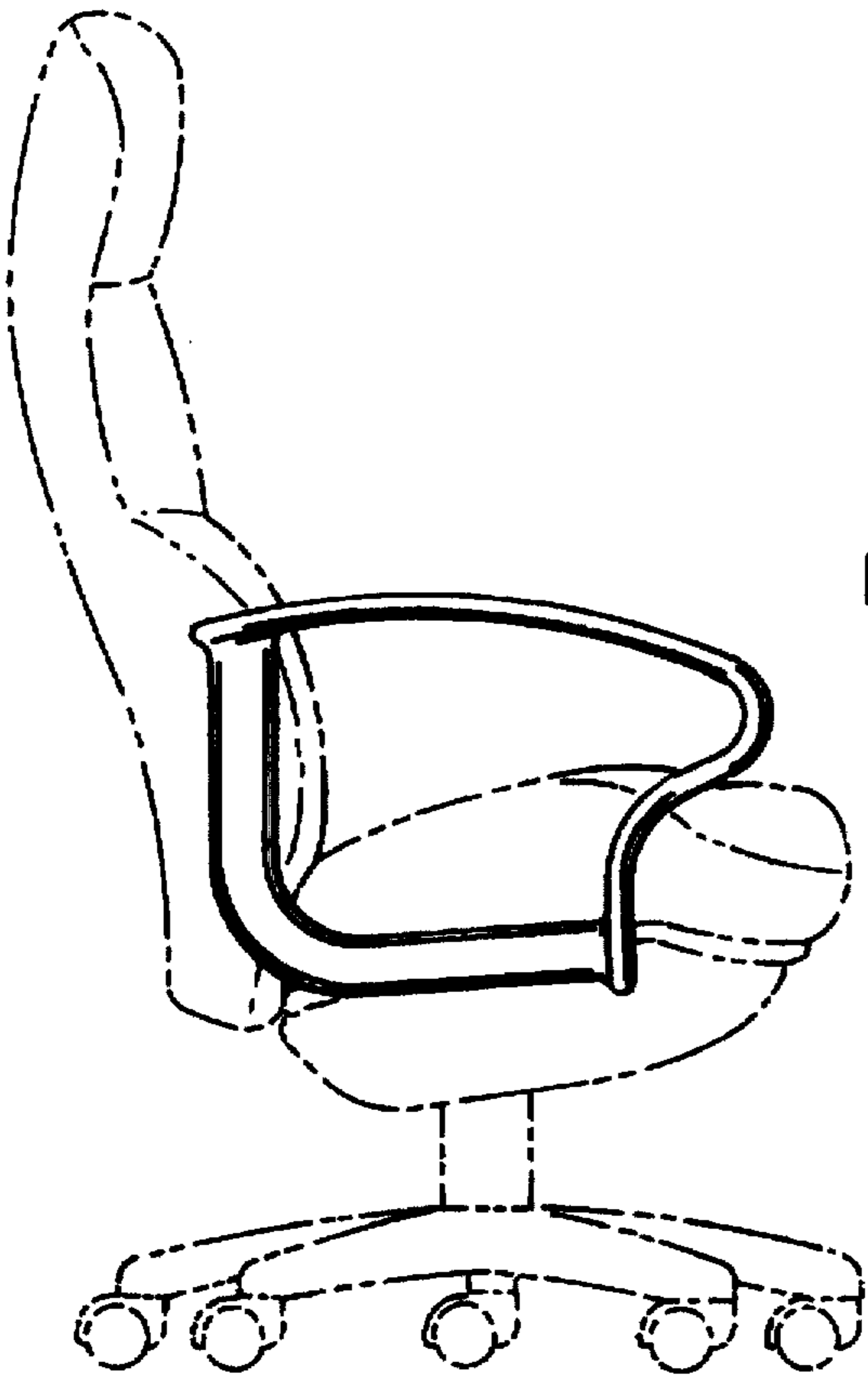


FIG. 3.

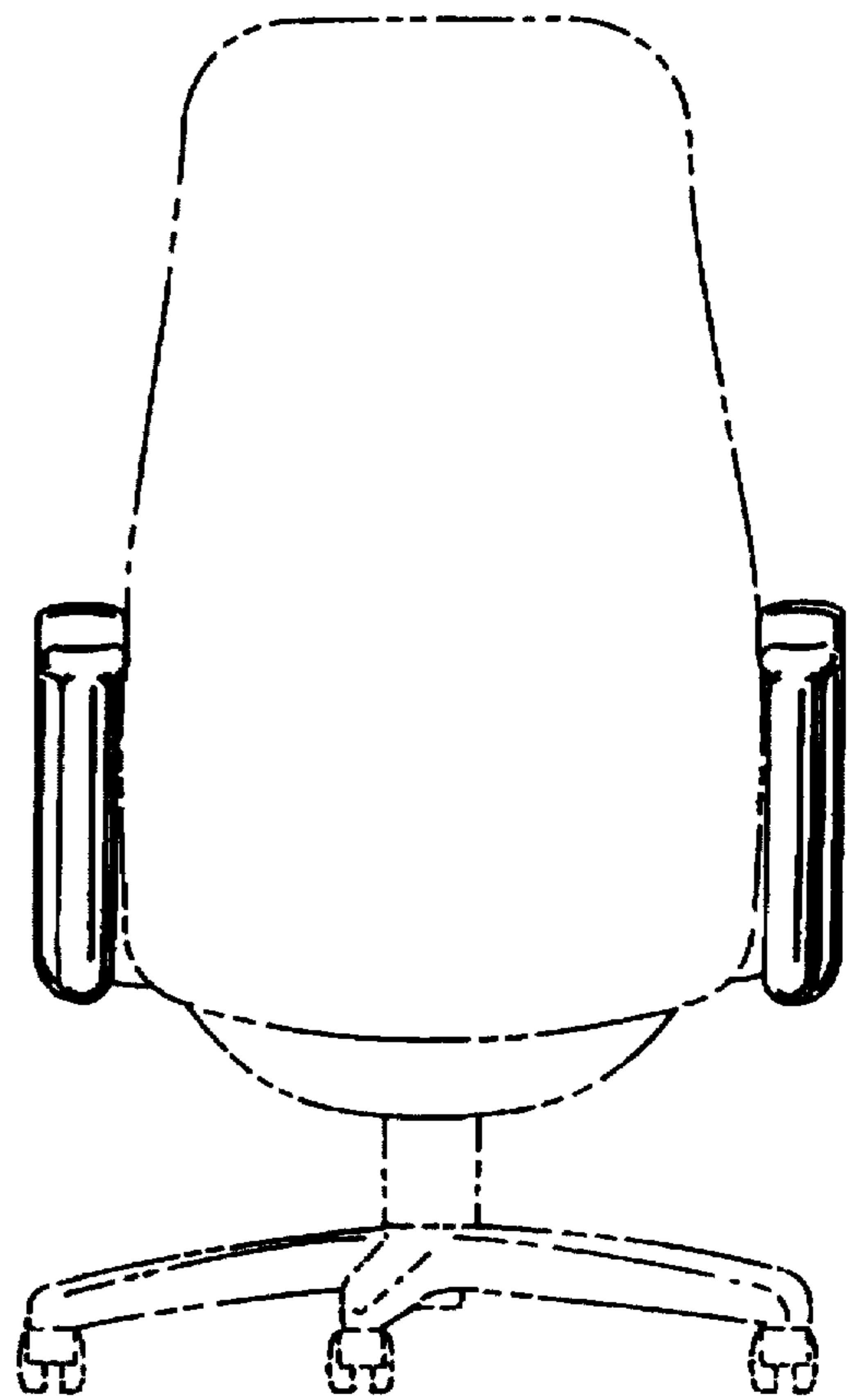


FIG. 4.

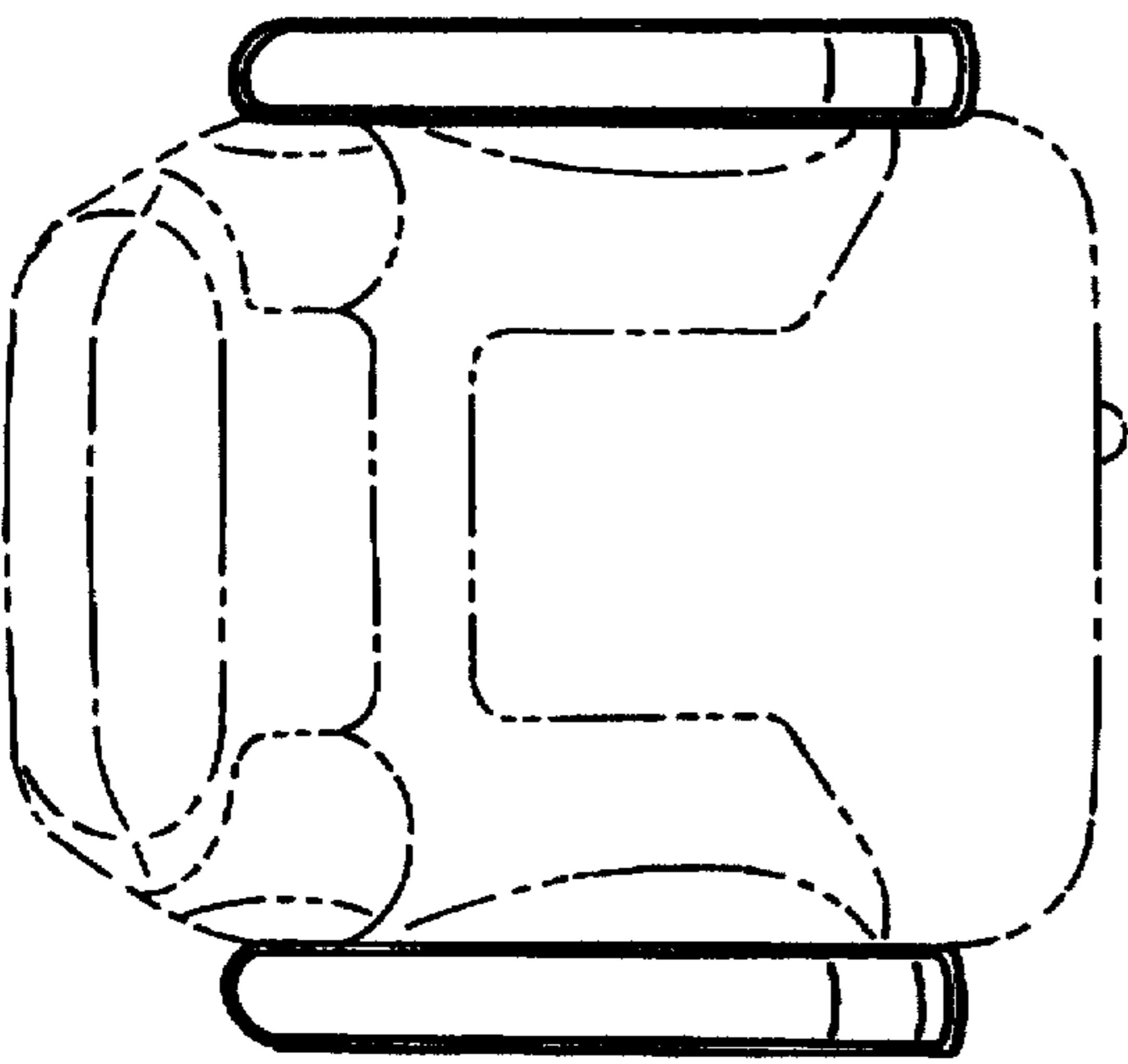


FIG. 5.