



US00D388253S

United States Patent [19]

[11] Patent Number: Des. 388,253

Ra

[45] Date of Patent: **Dec. 30, 1997

[54] TOOTHBRUSH

[76] Inventor: Dojin Ra, 128 E. Harwood Ter., Palisades Park, N.J. 07650

[**] Term: 14 Years

[21] Appl. No.: 59,999

[22] Filed: Sep. 19, 1996

[51] LOC (6) Cl. 04-02

[52] U.S. Cl. D4/104

[58] Field of Search D4/104-113, 121, D4/132, 134, 138; 15/143.1, 159.1, 167.1, 167.2, 176.4, 176.5, 186, 187

[56] **References Cited**

U.S. PATENT DOCUMENTS

D. 268,795	5/1983	Ohama	D4/104
D. 328,392	8/1992	Holstein, II et al.	D4/104
D. 334,288	3/1993	Witzig-Jaggi	D4/104
D. 360,076	7/1995	Schneider	D4/104
D. 360,760	8/1995	Halm	D4/104
2,225,331	12/1940	Campbell	15/176.5 X
4,890,349	1/1990	Nitzche	15/167.1
5,555,590	9/1996	Blum et al.	15/176.4 X
5,572,763	11/1996	Eguchi	15/167.1

Primary Examiner—Alan P. Douglas

Assistant Examiner—Lavone D. Tabor
Attorney, Agent, or Firm—Weingram & Associates, P.C.

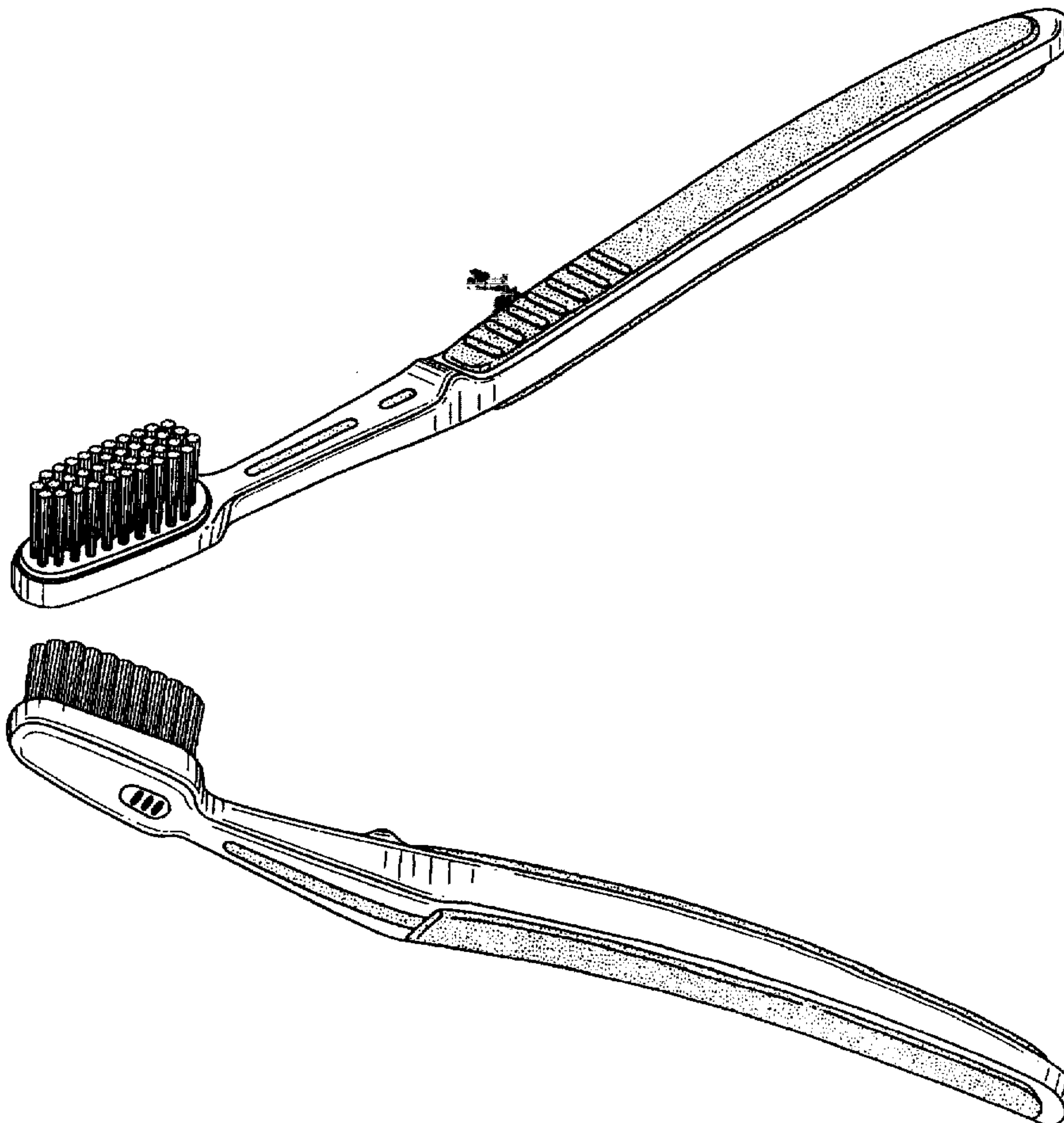
[57] **CLAIM**

The ornamental design for a toothbrush, as shown and described.

DESCRIPTION

FIG. 1 is a top perspective view of a toothbrush, showing my new design;
 FIG. 2 is a bottom perspective view;
 FIG. 3 is a top plan view;
 FIG. 4 is a side elevational view; the opposite side being a mirror image thereto;
 FIG. 5 is a bottom plan view;
 FIG. 6 is a front elevational view;
 FIG. 7 is a rear elevational view;
 FIG. 8 is an exploded bottom perspective view;
 FIG. 9 is an enlarged top perspective view of the toothbrush head which is shown separately for clarity of illustration only;
 FIG. 10 is a front elevational view thereof;
 FIG. 11 is a rear elevational view thereof;
 FIG. 12 is a top plan view thereof;
 FIG. 13 is a side elevational view, the opposite side being a mirror image thereto; and,
 FIG. 14 is a bottom plan view thereof.

1 Claim, 7 Drawing Sheets



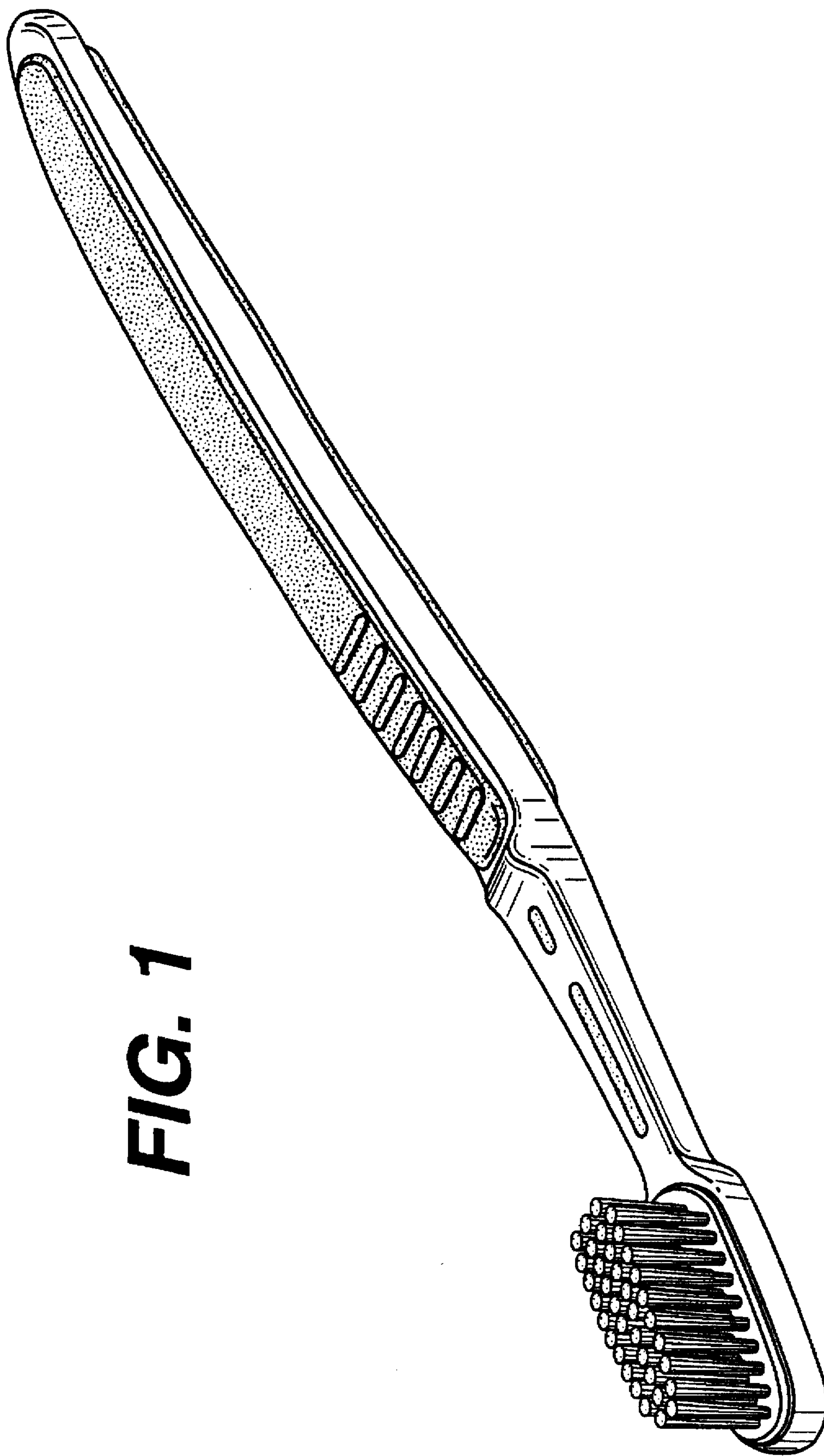


FIG. 1

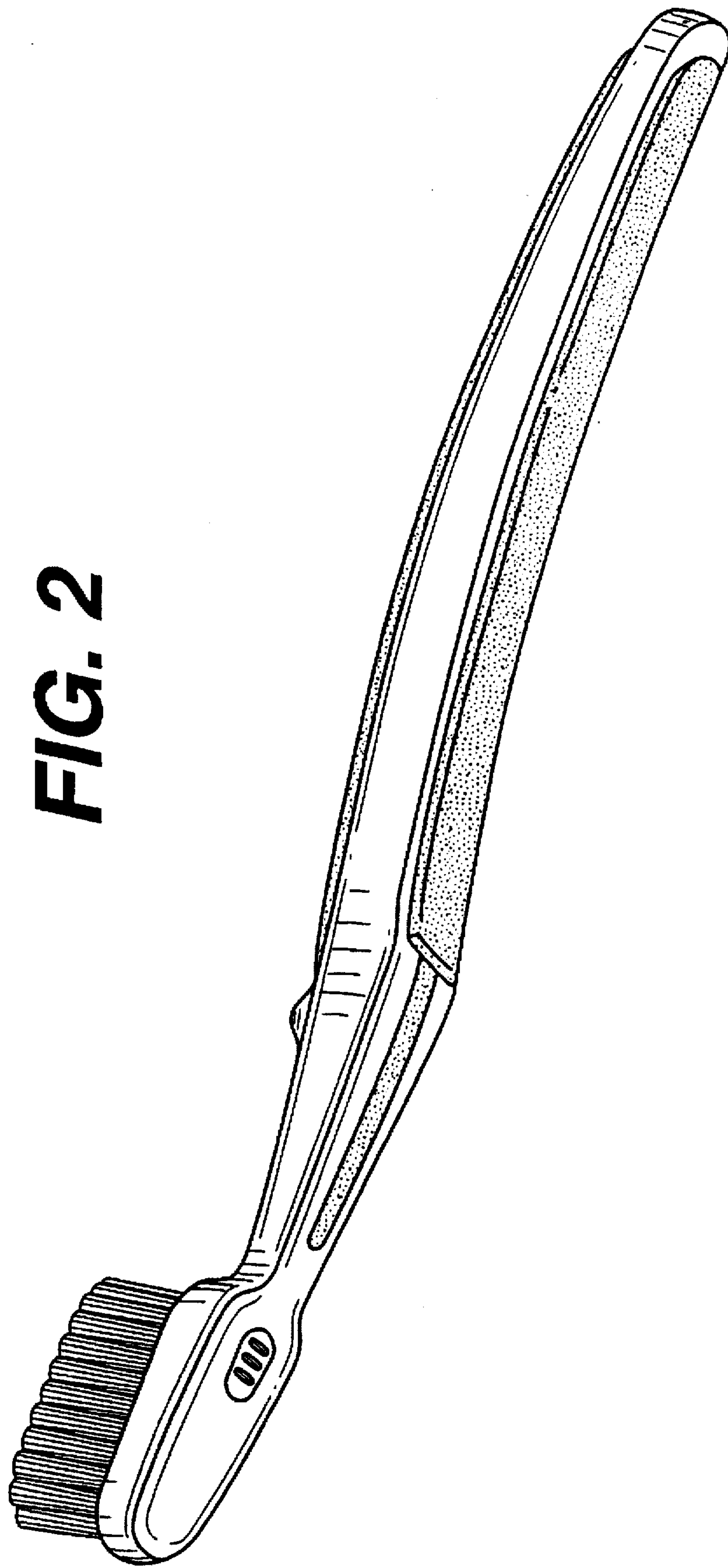


FIG. 2

FIG. 3

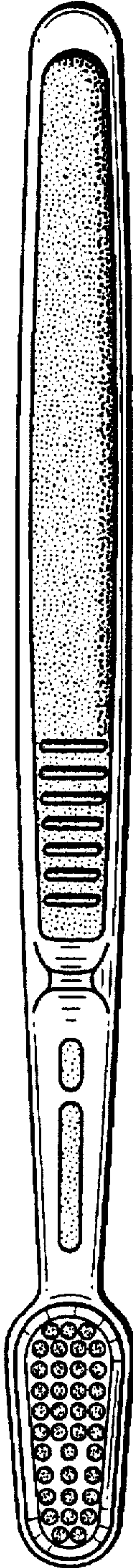


FIG. 4

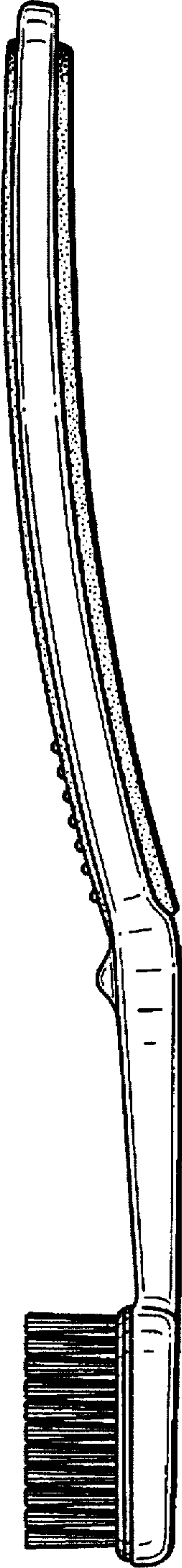


FIG. 5

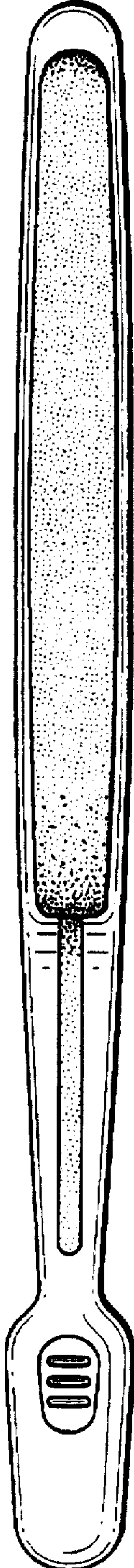


FIG. 6

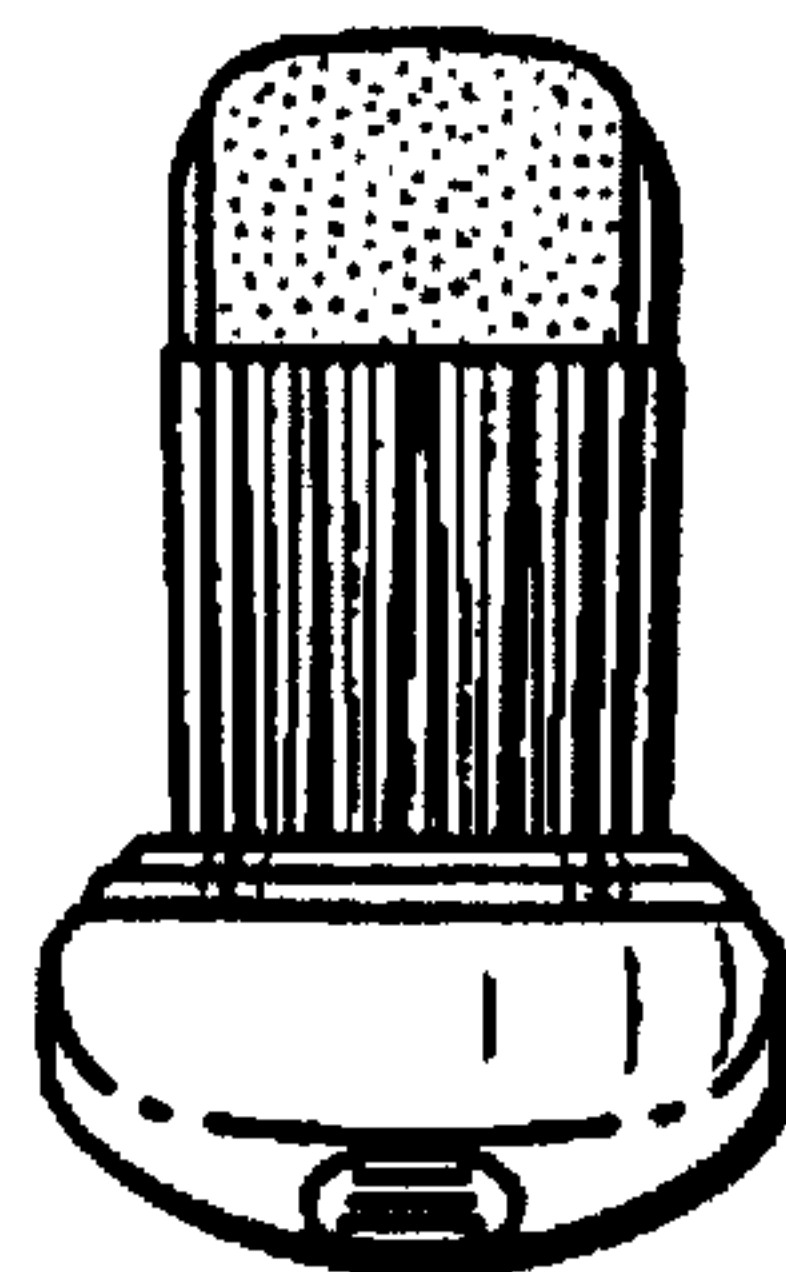
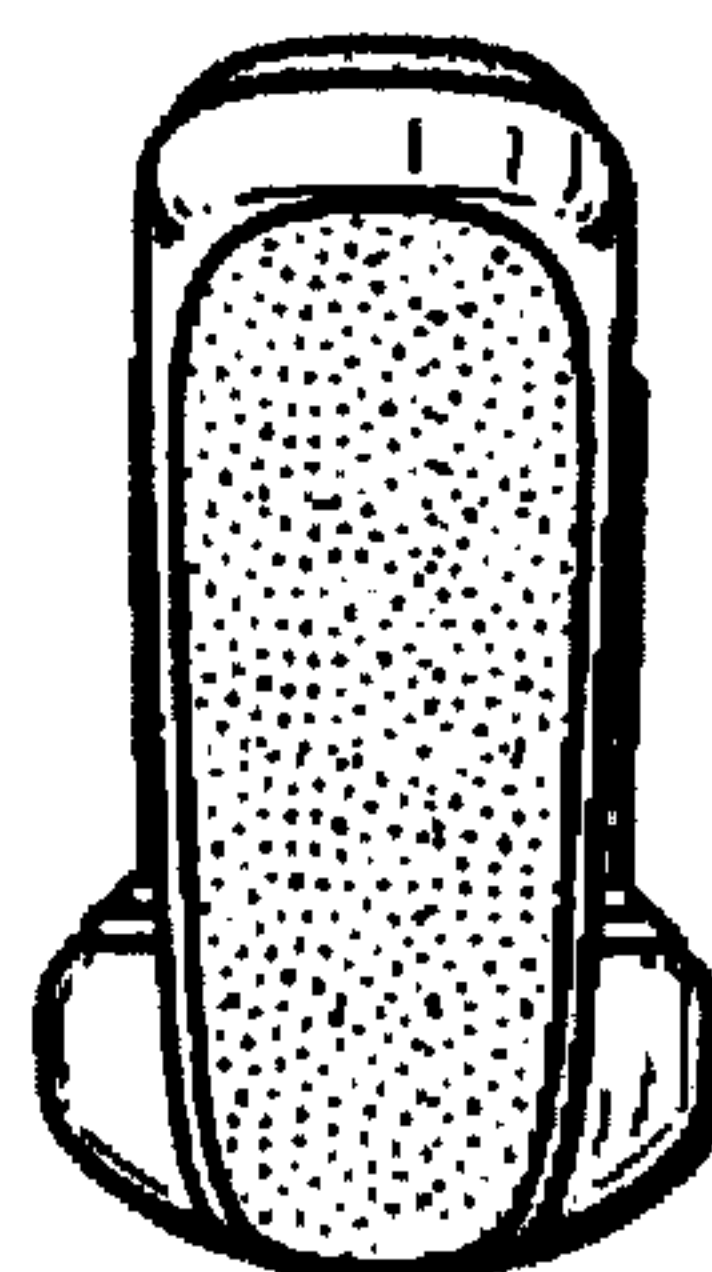


FIG. 7



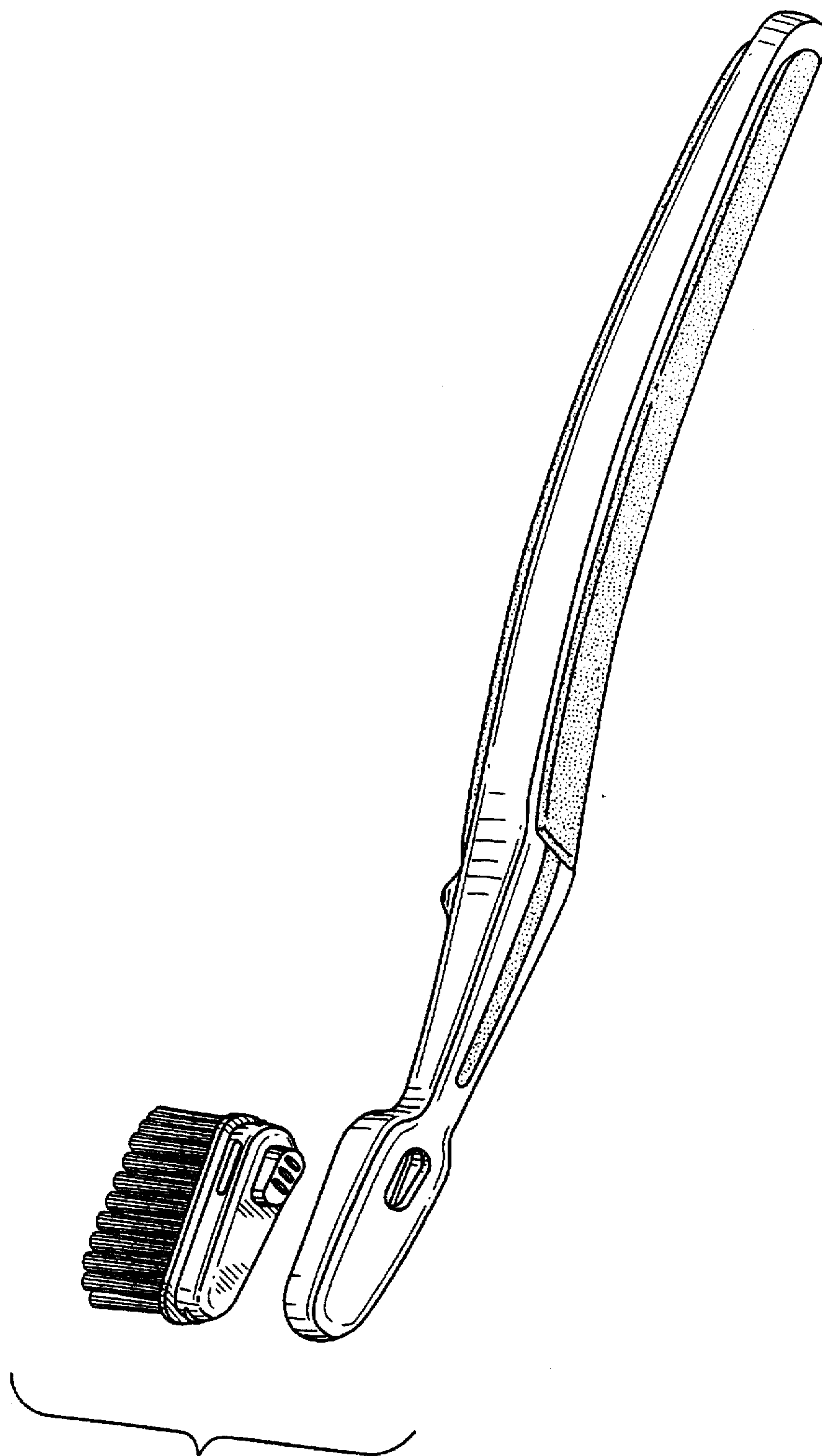


FIG. 8

FIG. 9

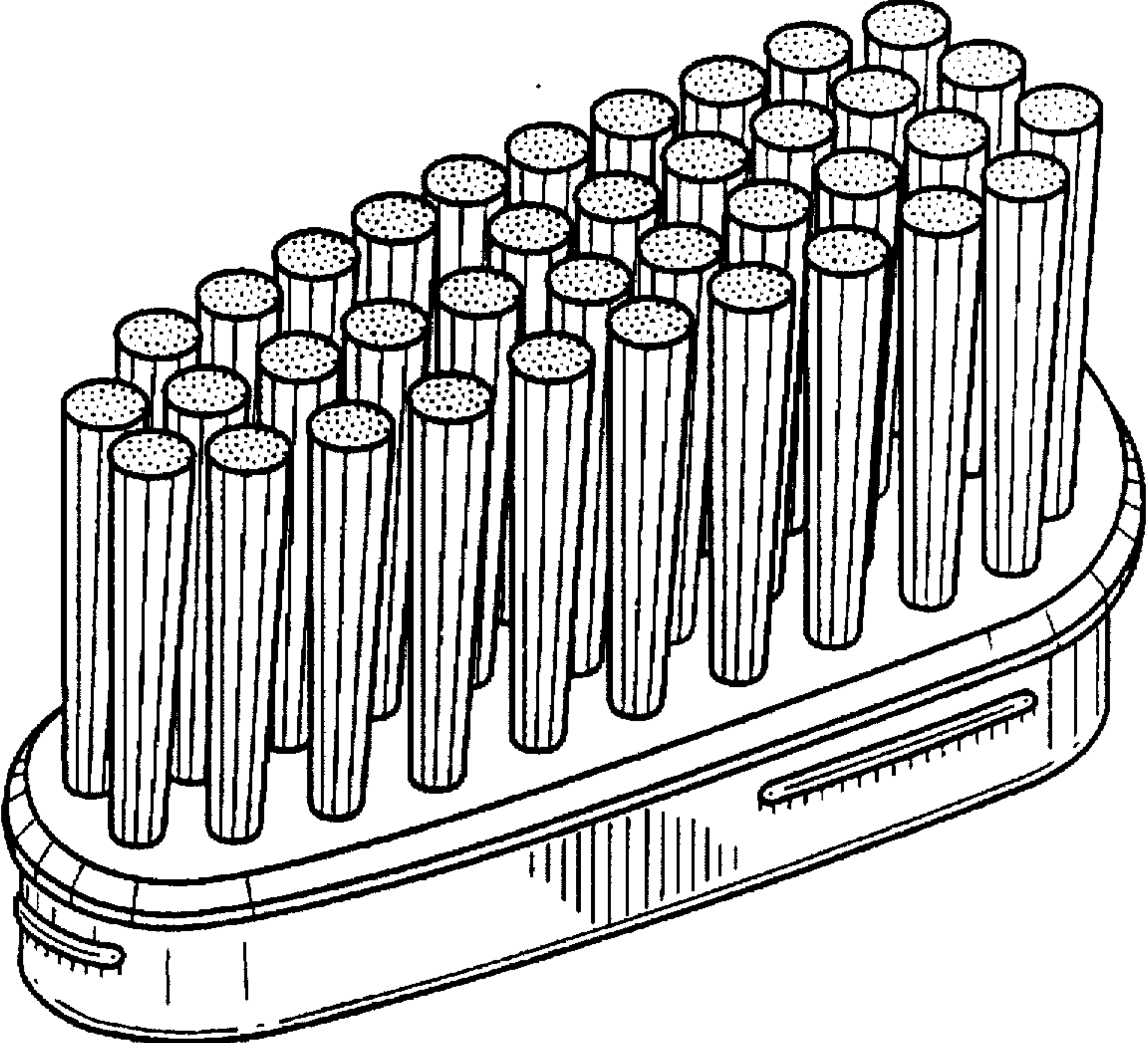


FIG. 10

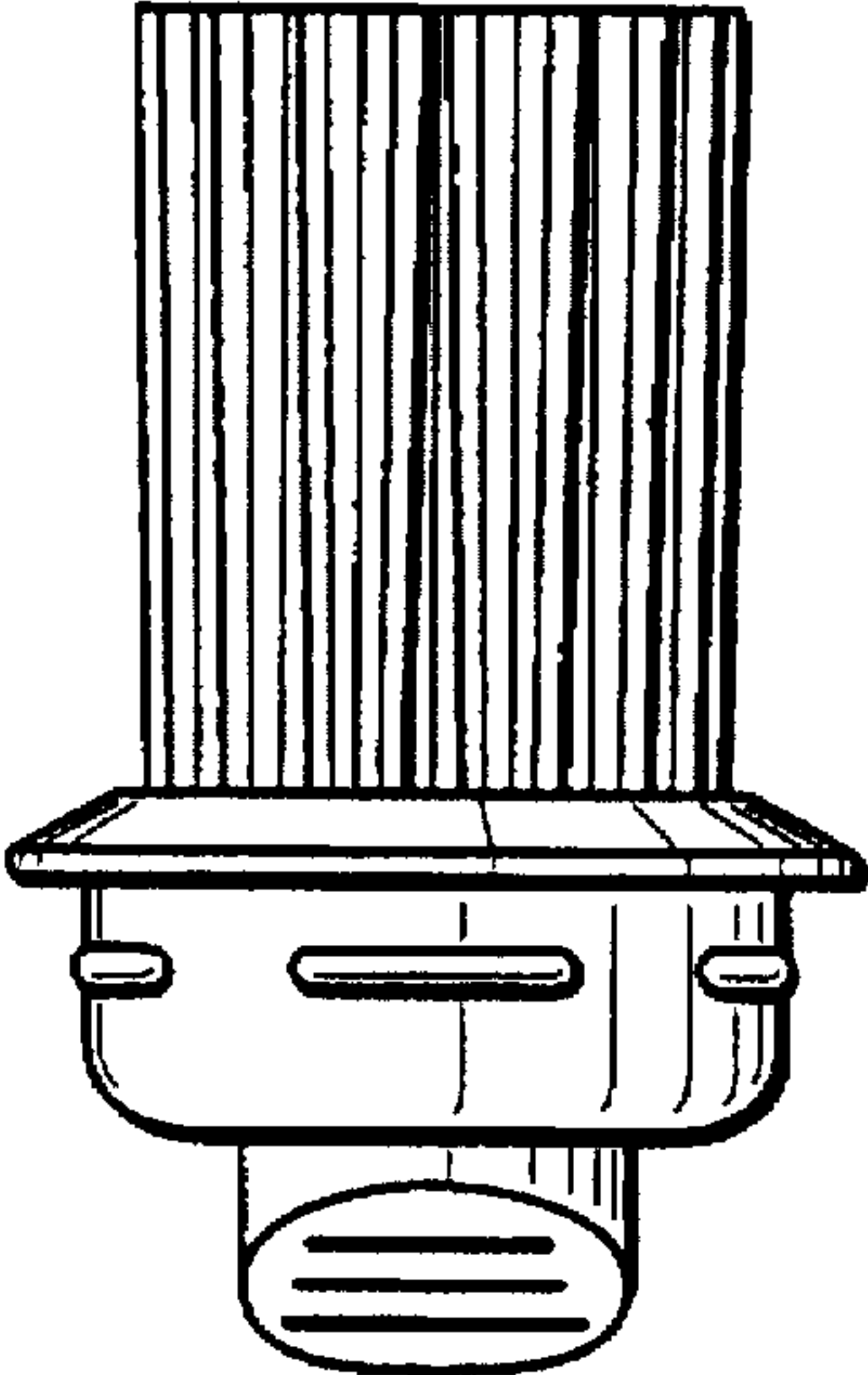


FIG. 11

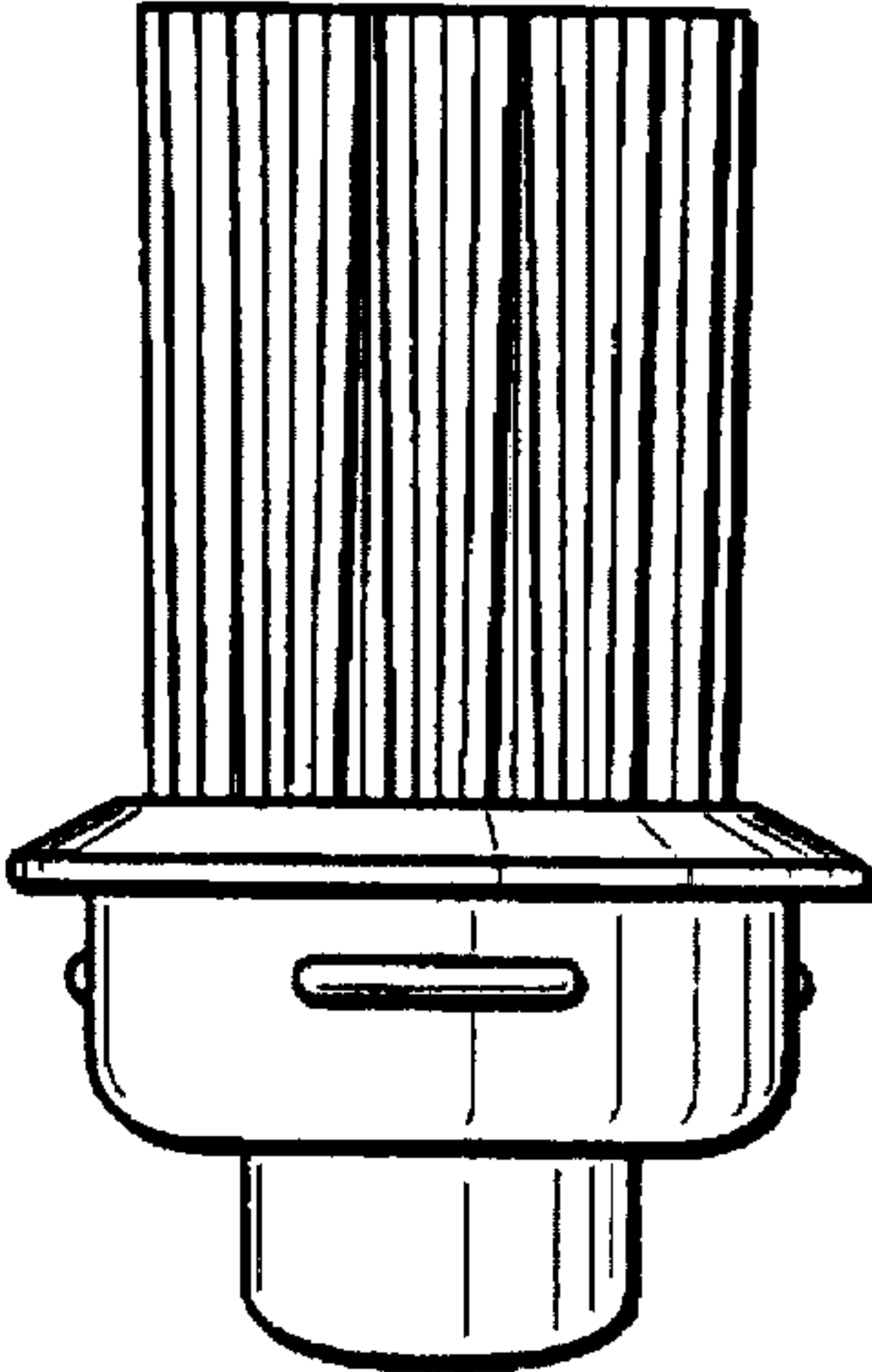


FIG. 12

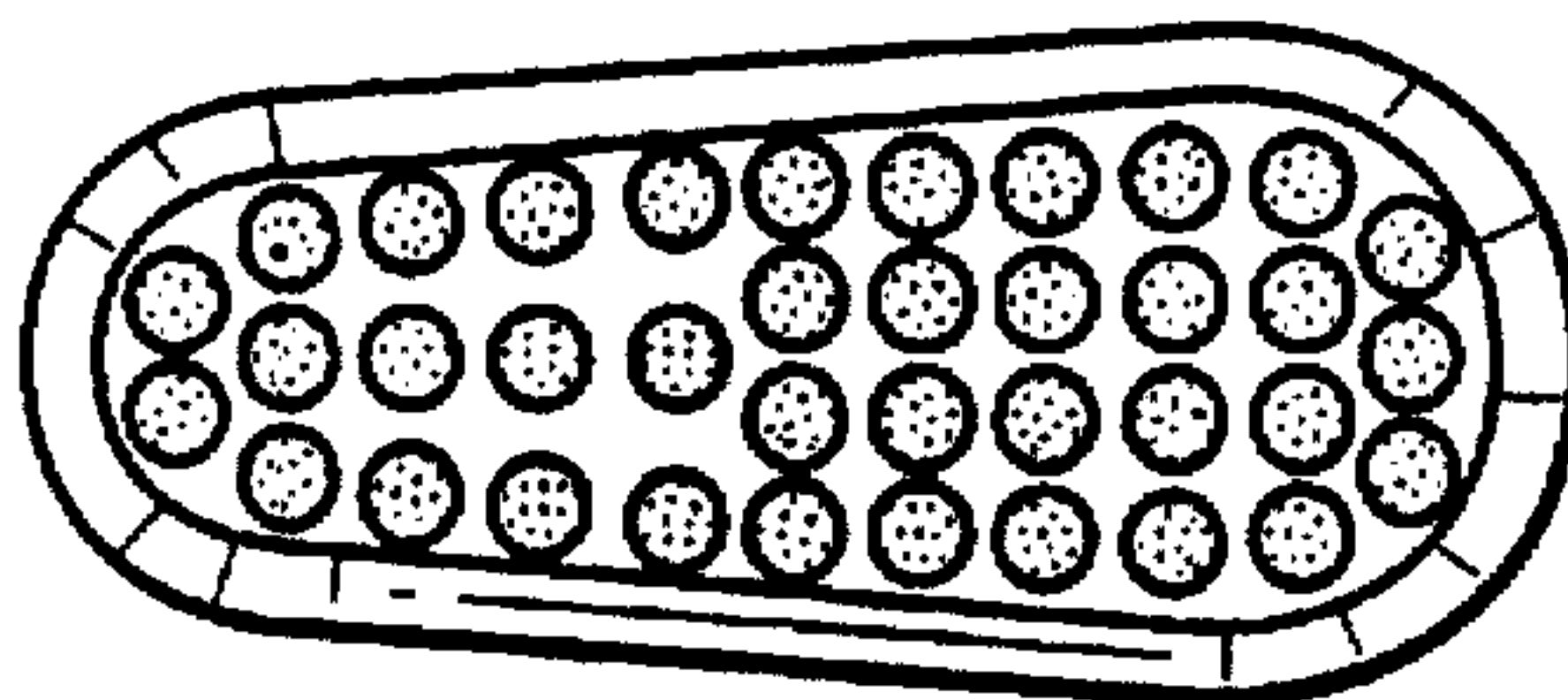


FIG. 13

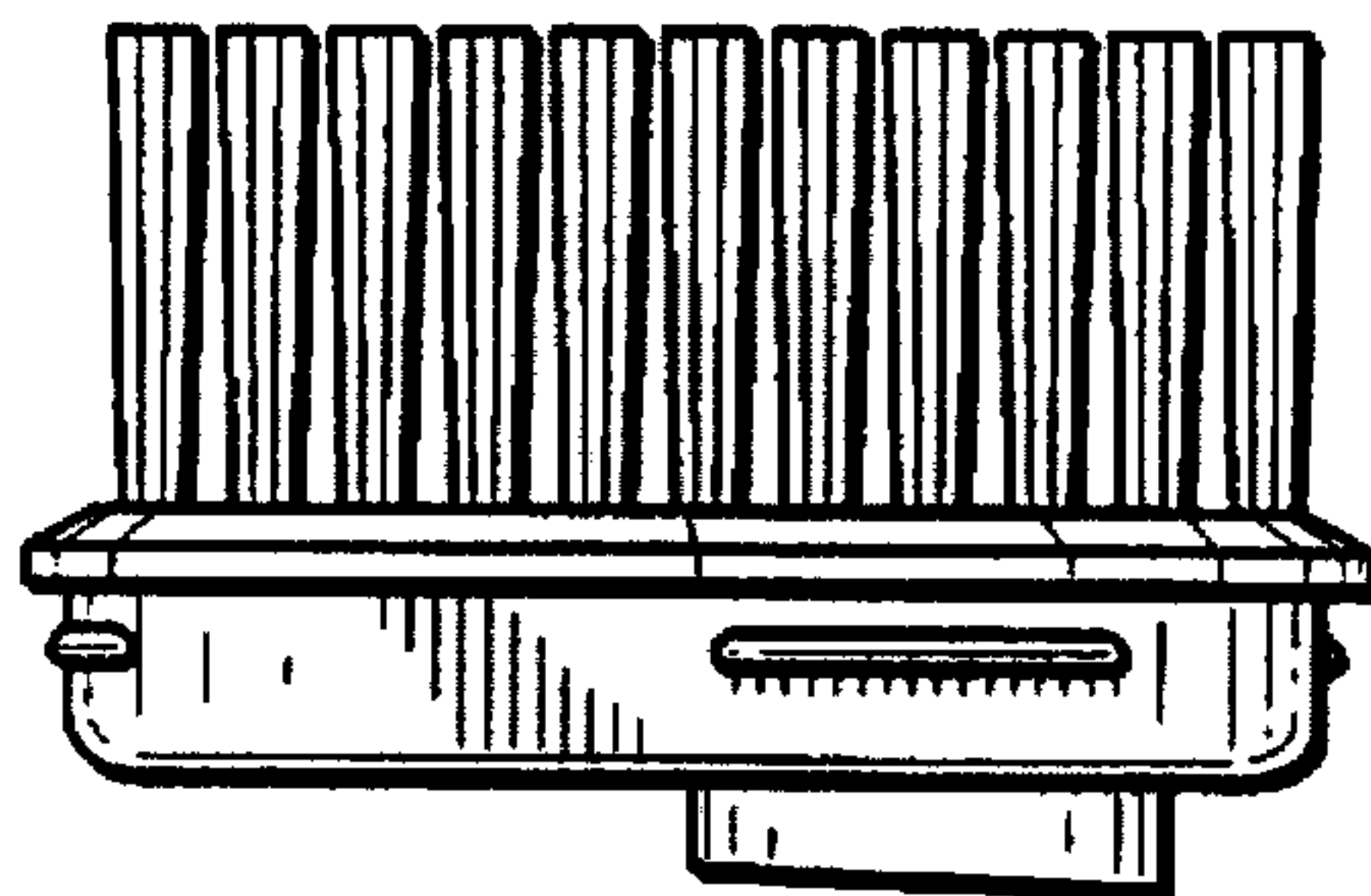


FIG. 14

