



US00D388251S

United States Patent [19] Smith

[11] Patent Number: Des. 388,251

[45] Date of Patent: ***Dec. 30, 1997

[54] **HAND LUGGAGE FOR CARRYING PET SUPPLIES**

[76] Inventor: **Judy Smith**, P.O. Box 1784, Middleburg, Va. 22117

[*] Notice: The portion of the term of this patent subsequent to Nov. 25, 2011, has been disclaimed.

[**] Term: **14 Years**

[21] Appl. No.: **46,252**

[22] Filed: **Nov. 9, 1995**

[51] LOC (6) Cl. **03-01**

[52] U.S. Cl. **D3/291; D30/133**

[58] Field of Search **D30/108-109; 119/83, 482, 496-497, 453-454, 165-168, 498-499; D3/242, 291, 272, 273, 268, 284, 276, 283, 292, 294, 295**

[56] References Cited

U.S. PATENT DOCUMENTS

D. 100,473	7/1936	Hershfield	D3/272
D. 129,108	8/1941	Sprague	D3/268
D. 143,491	1/1946	Hopkins	D3/272
D. 202,160	8/1965	Territo	D3/284
D. 211,526	6/1968	Ikelheimer	D30/109
D. 281,837	12/1985	Lin	D3/284
3,487,814	1/1970	Ingebritsen	119/497
3,890,932	6/1975	Sanzoue et al.	119/19
3,941,092	3/1976	Winters	119/19

4,119,181	10/1978	Jones	119/83
4,171,683	10/1979	Godin	119/482
4,484,540	11/1984	Yamamoto	119/497
4,779,567	10/1988	Smith	119/165
5,134,974	8/1992	Houser	119/168

Primary Examiner—Cathy Anne MacCormac
Attorney, Agent, or Firm—Aquilino & Welsh

[57] CLAIM

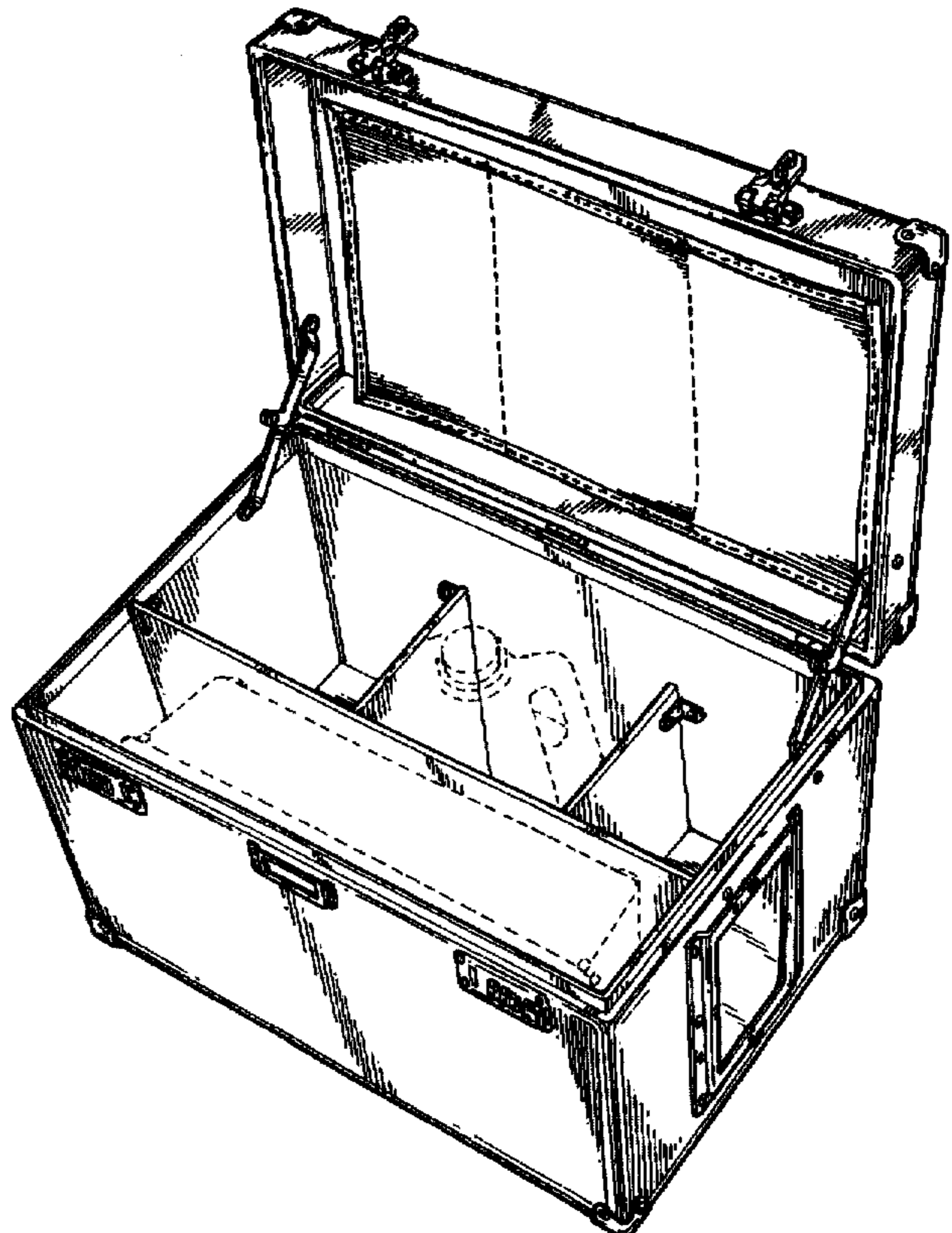
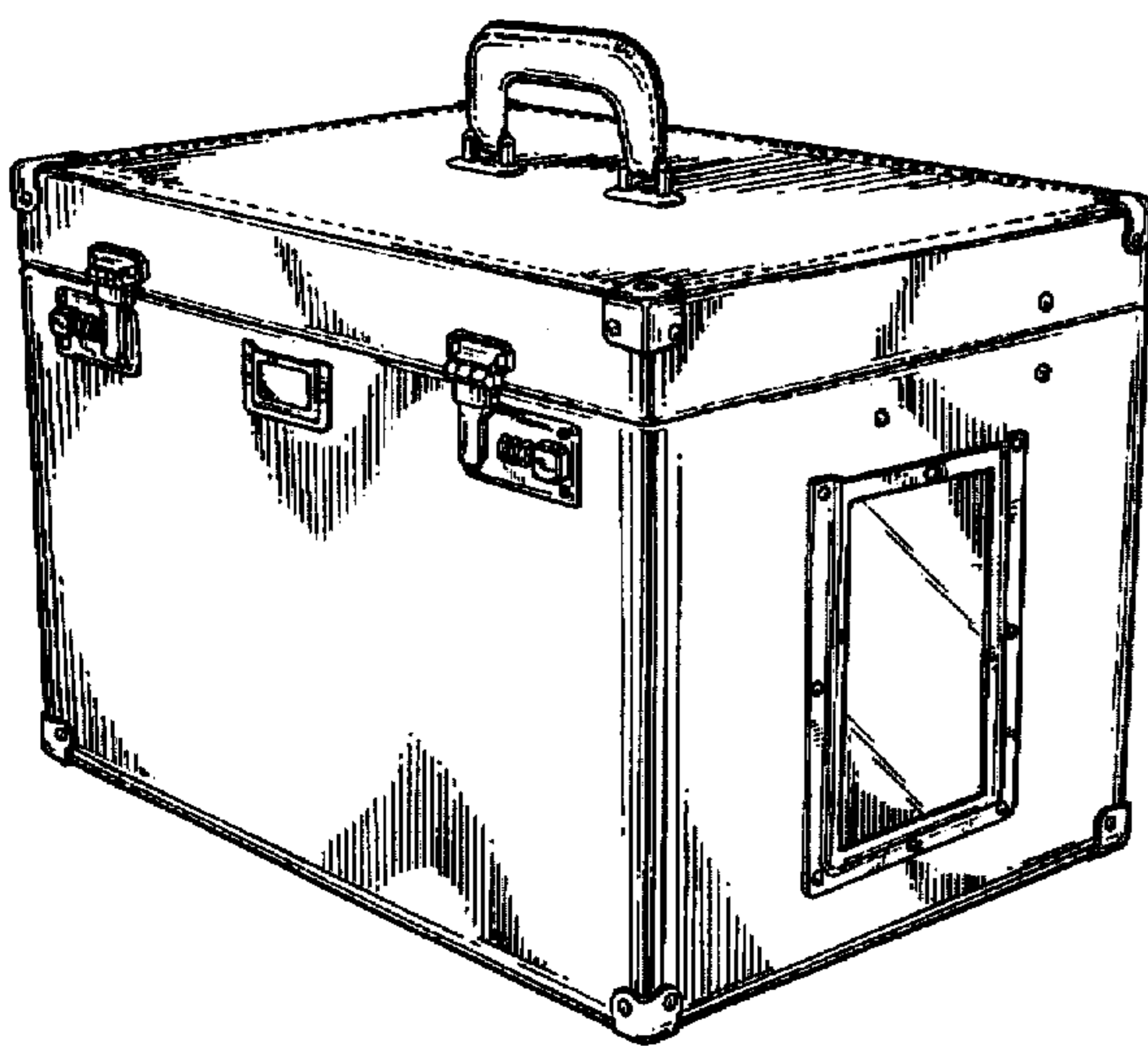
The ornamental design for a hand luggage for carrying pet supplies, as shown and described.

DESCRIPTION

FIG. 1 is a perspective view of a hand luggage for carrying pet supplies showing my new design;
 FIG. 2 is a front elevation view thereof;
 FIG. 3 is an end view thereof, the opposite end being a mirror image;
 FIG. 4 is a top plan view thereof;
 FIG. 5 is a rear plan view thereof;
 FIG. 6 is a bottom plan view thereof;
 FIG. 7 is an internal view of the hand luggage for carrying pet supplies showing compartments and an identification label; and,
 FIG. 8 is an exploded internal view of the hand luggage for carrying pet supplies showing compartments and a detached identification label.

The broken lines in FIG. 7 are for purposes of illustration only and form no part of the claimed design. The dashed lines in all views represent conventional stitching.

1 Claim, 8 Drawing Sheets



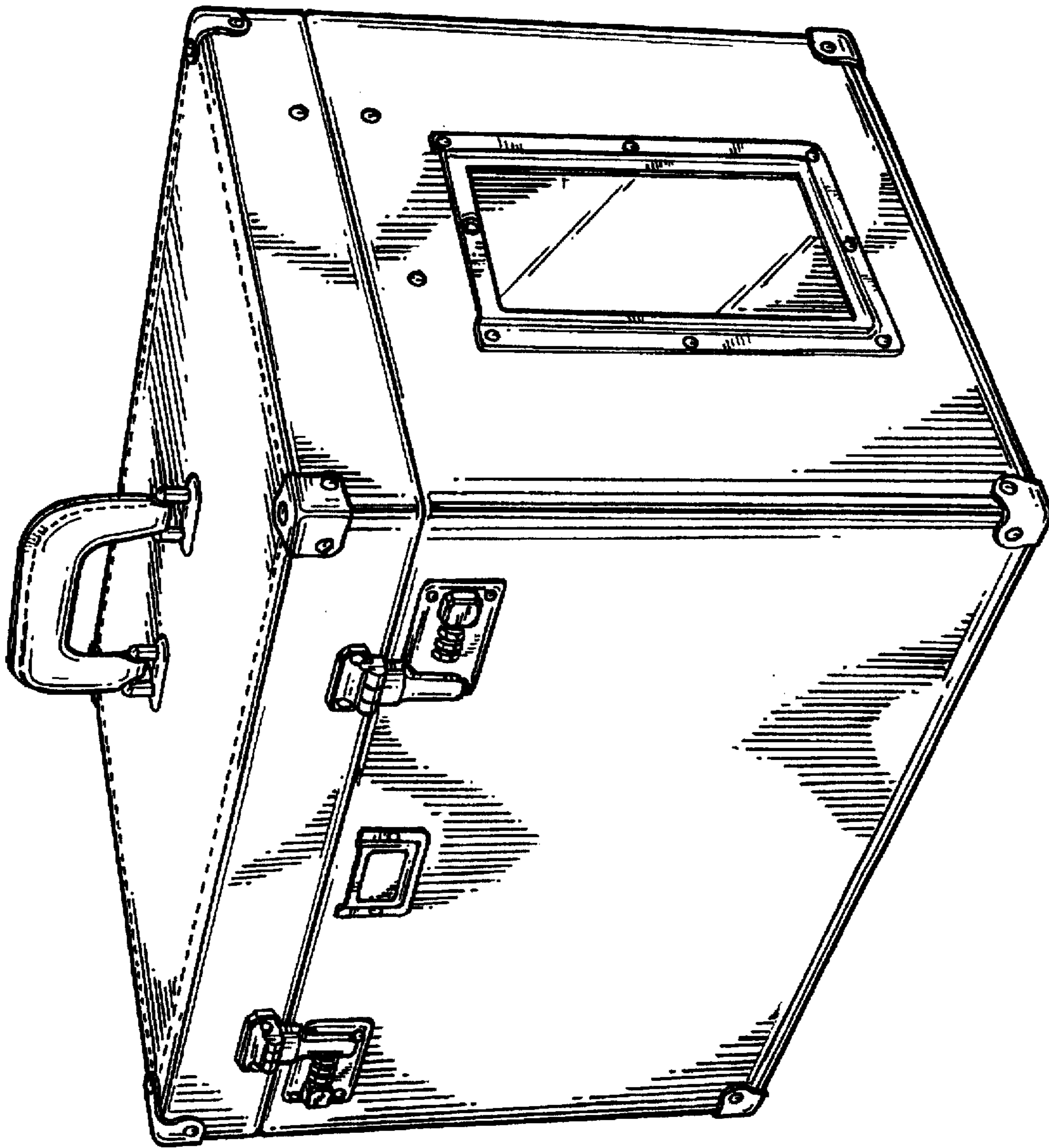


FIG. 1

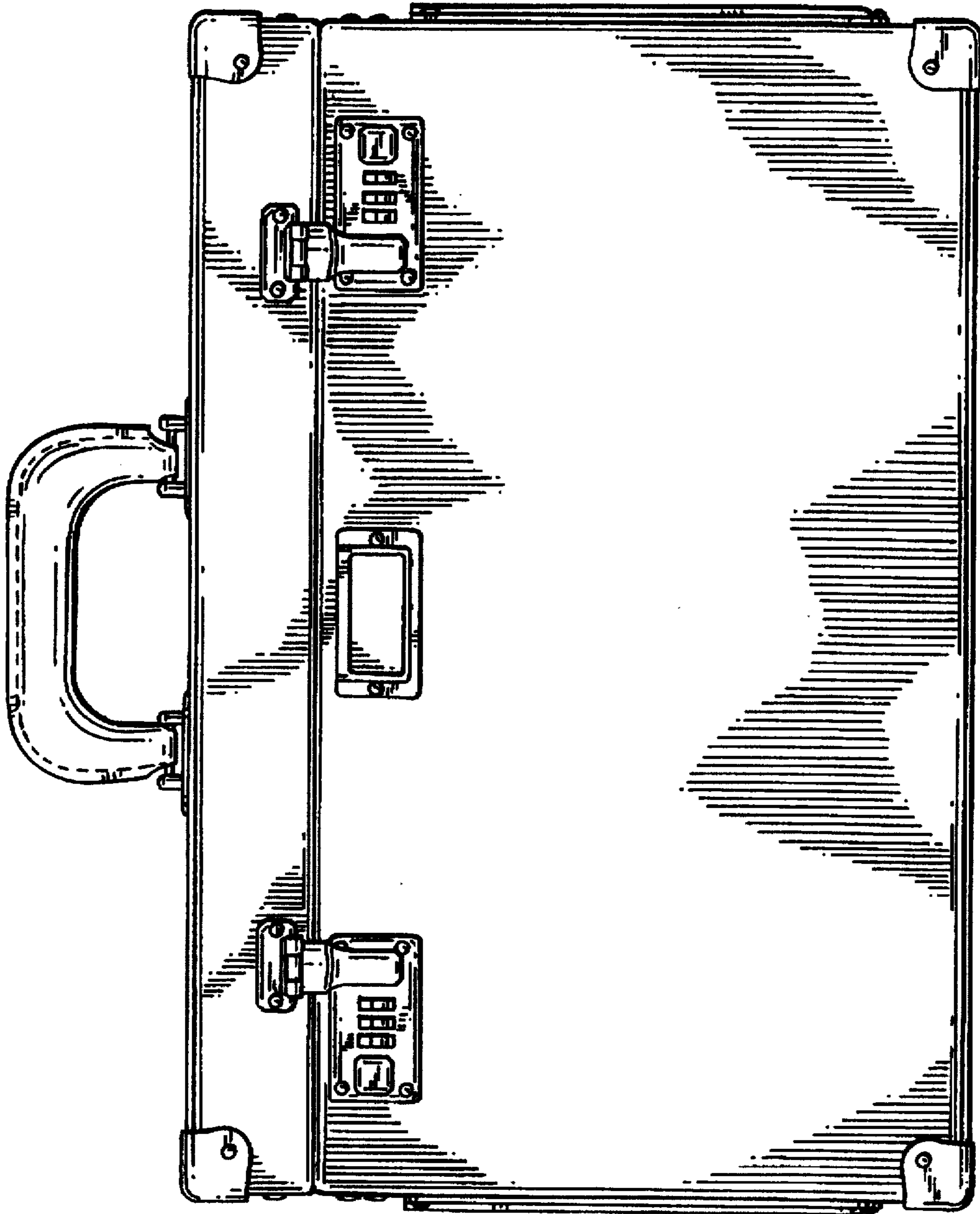


FIG. 2

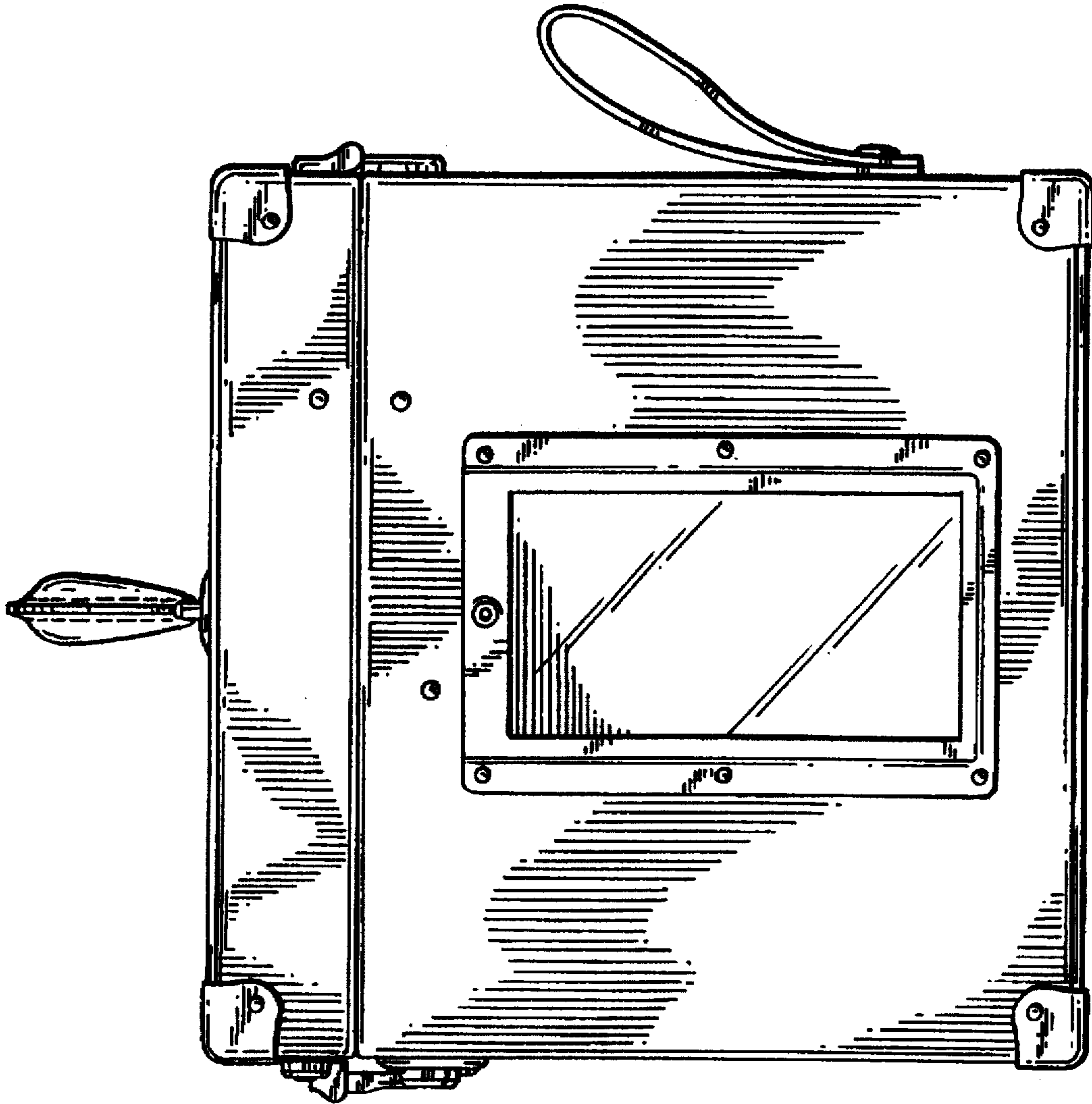


FIG. 3

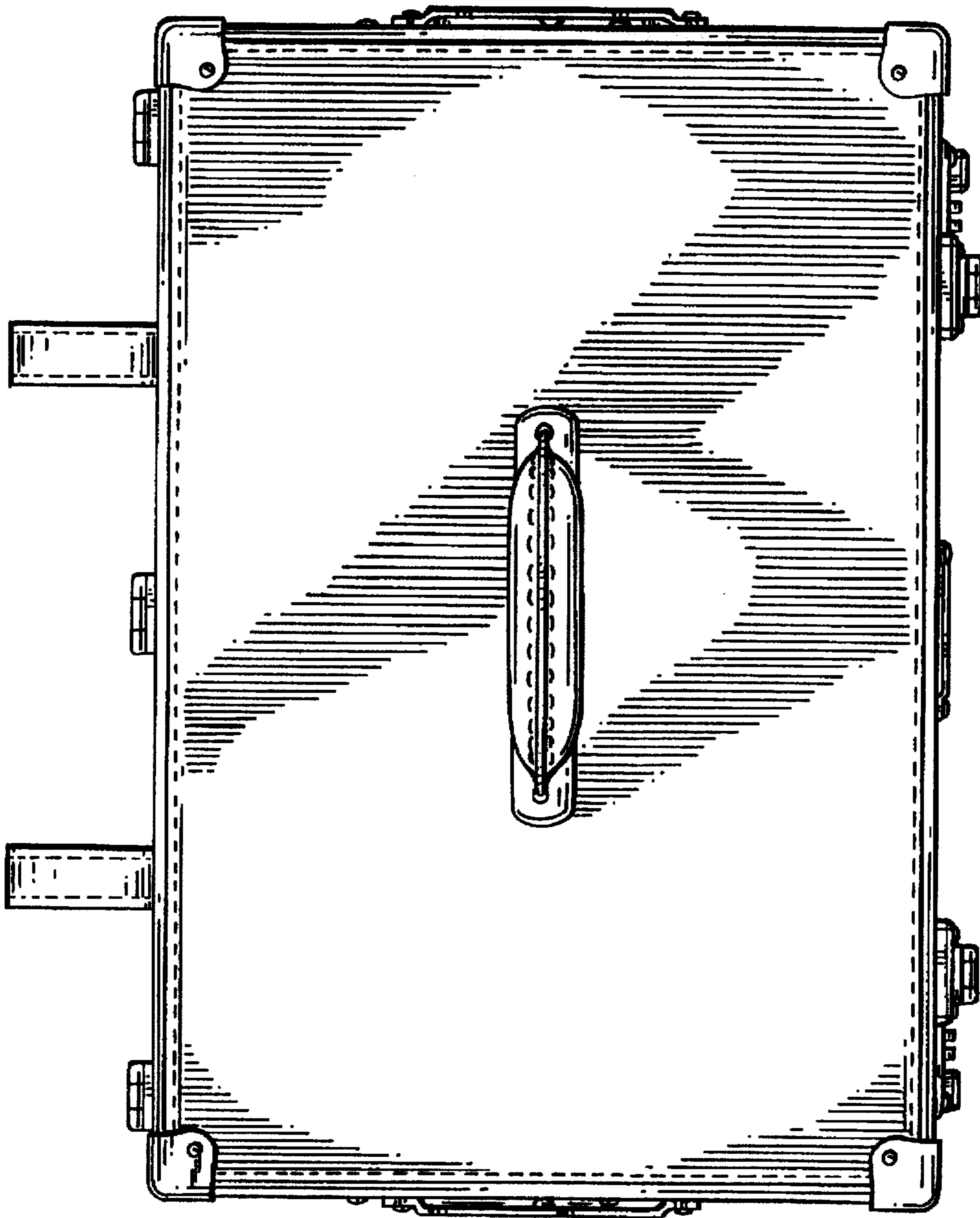


FIG. 4

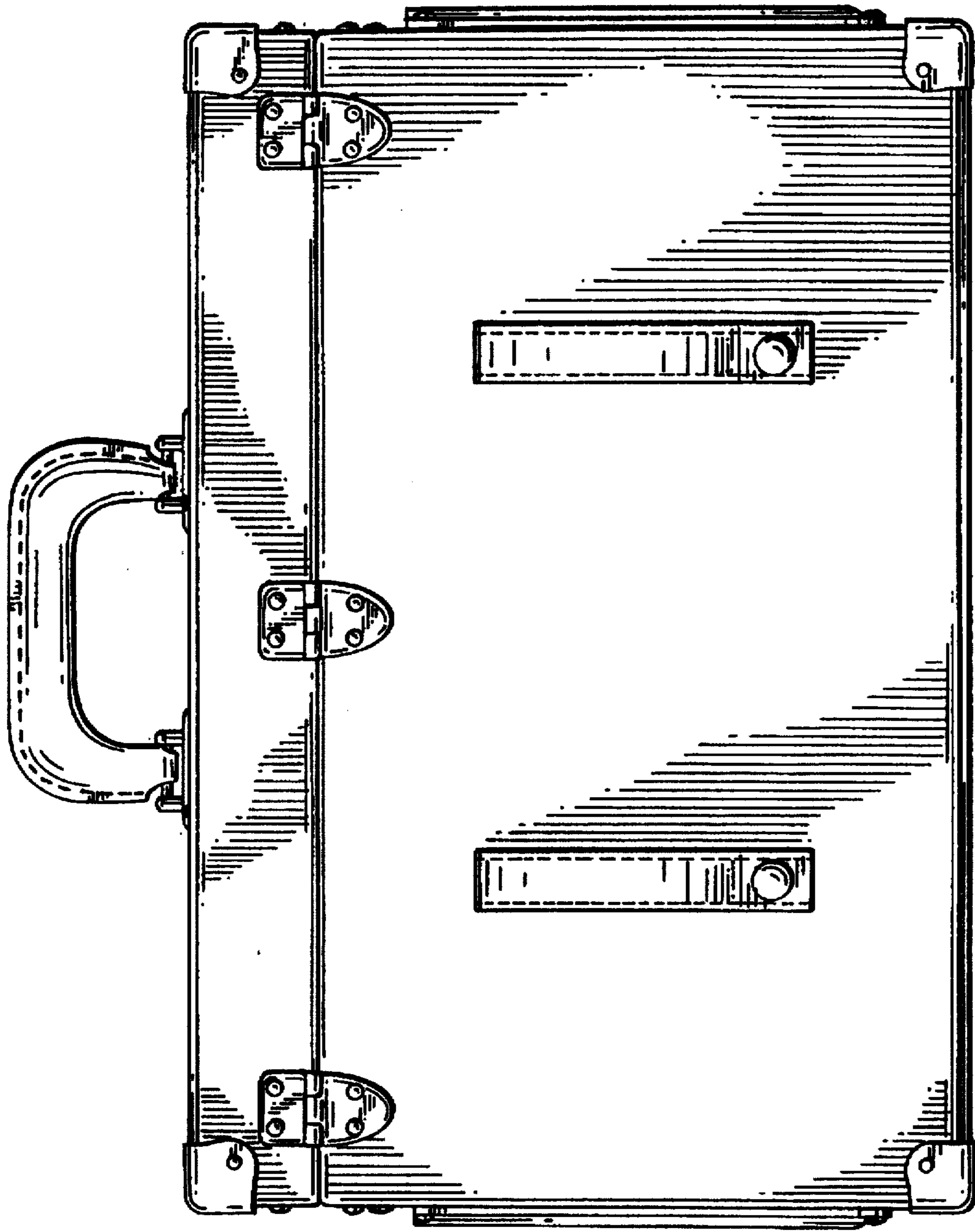


FIG. 5

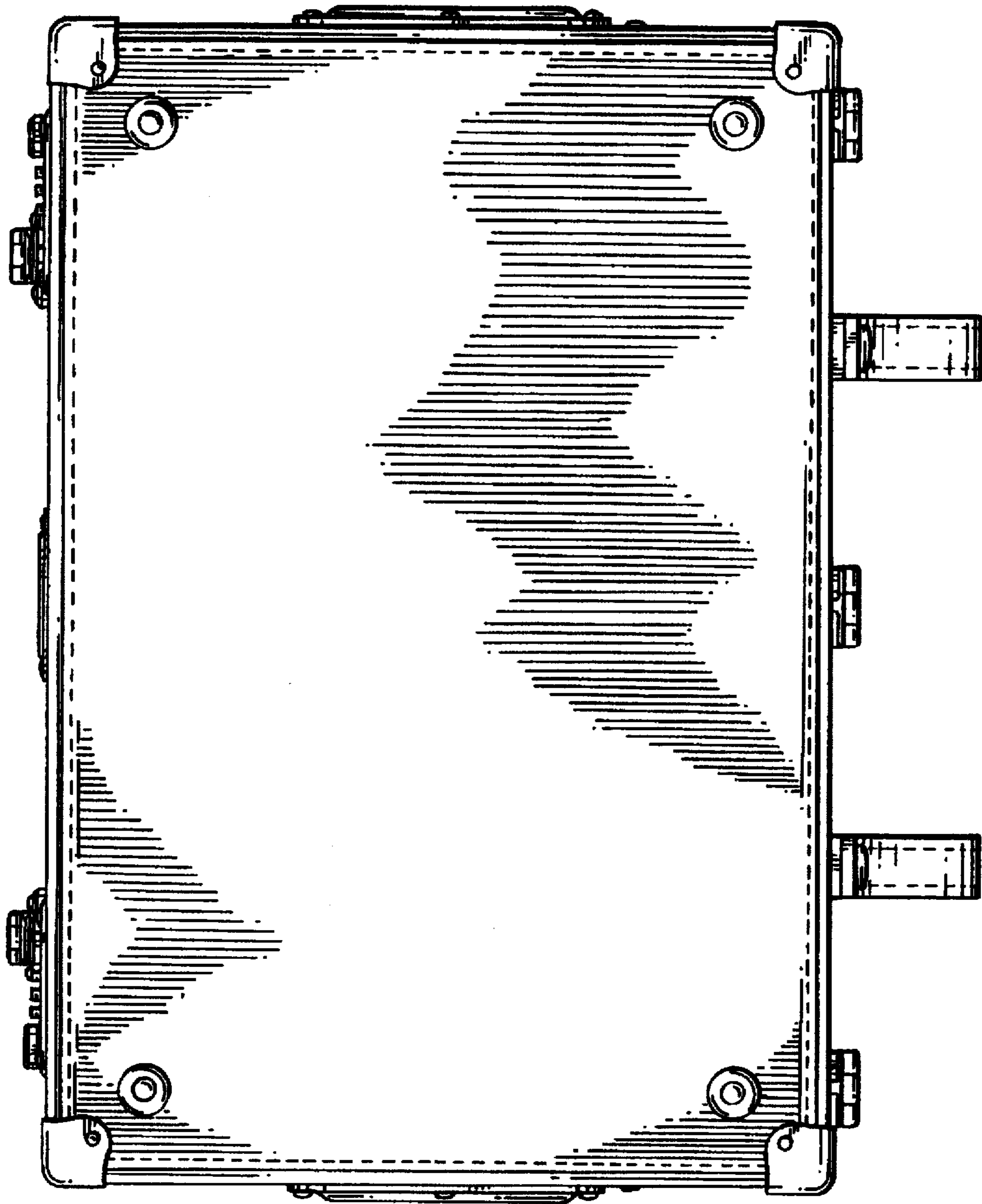


FIG. 6

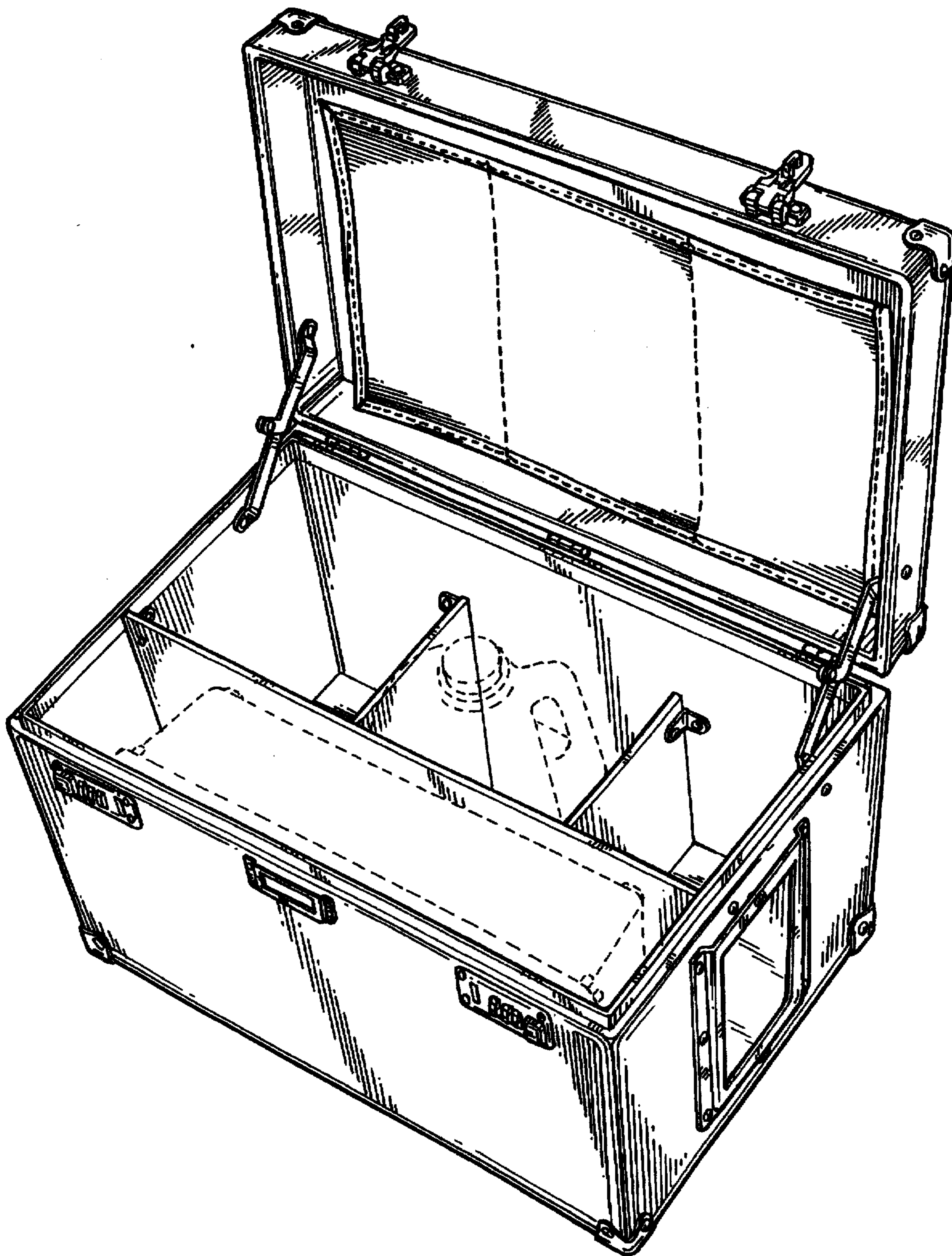


FIG. 7

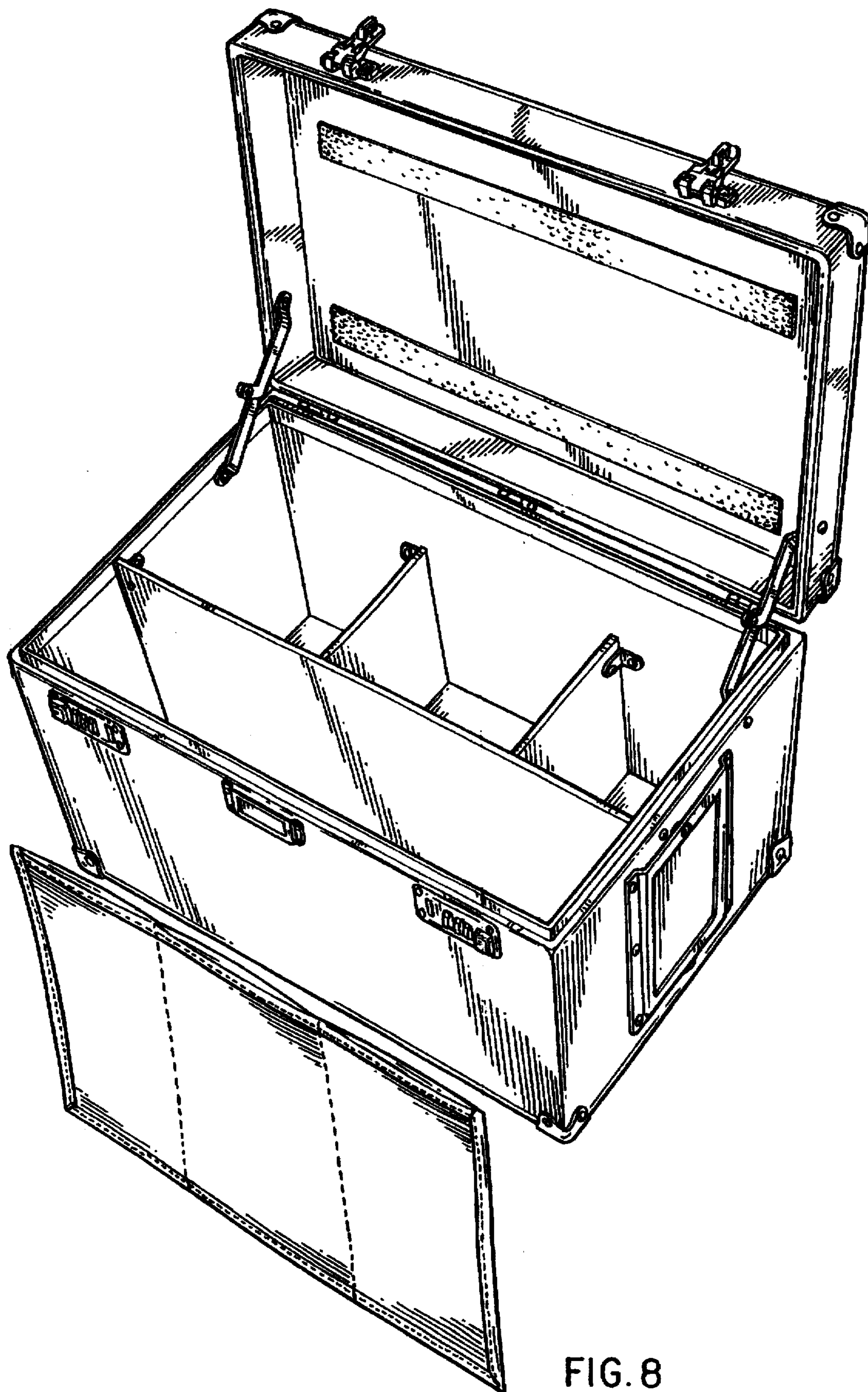


FIG. 8