



US00D388244S

United States Patent [19] Serna

[11] Patent Number: **Des. 388,244**
[45] Date of Patent: ****Dec. 30, 1997**

[54] **SHOE TONGUE COVER**

[75] Inventor: **Ralph Serna**, Long Beach, Calif.

[73] Assignee: **Vans, Inc.**, Santa Fe Springs, Calif.

[**] Term: **14 Years**

[21] Appl. No.: **64,001**

[22] Filed: **Dec. 20, 1996**

[51] LOC (6) Cl. **02-99**

[52] U.S. Cl. **D2/972; D2/975; D2/973**

[58] Field of Search **D2/896, 902, 907, D2/908, 946, 970, 972, 974, 978, 975; 36/83, 84, 45, 50.1, 114, 117.9, 58.5**

4,377,913	3/1983	Stone .
4,428,101	1/1984	Harkavy .
4,536,975	8/1985	Harrell .
4,630,383	12/1986	Gamm .
4,766,682	8/1988	Malloy, III .
4,823,426	4/1989	Bragga .
4,879,787	11/1989	Walls .
5,042,119	8/1991	Williams .
5,165,190	11/1992	Smyth .
5,209,000	5/1993	Rowland et al. .
5,307,569	5/1994	Melcher .
5,313,719	5/1994	Koethe .
5,416,987	5/1995	Bemis et al. .
5,421,106	6/1995	Emrick .
5,459,947	10/1995	Lasher .

Primary Examiner—Dominic Simone
Attorney, Agent, or Firm—Fish & Richardson P.C.

[56] **References Cited**

U.S. PATENT DOCUMENTS

Re. 32,585	2/1988	Antonious .	
D. 283,173	4/1986	Malone	D2/907
D. 299,884	2/1989	Brown et al.	D2/974
D. 339,446	9/1993	Teague	D2/970
D. 365,923	1/1996	Crowley	D2/974
3,175,292	3/1965	MacQuaid et al. .	
3,334,427	8/1967	Edwards et al. .	
3,473,198	10/1969	Meier .	
3,783,534	1/1974	Phillips et al. .	
4,065,861	1/1978	Pelfrey .	
4,079,527	3/1978	Antonious .	

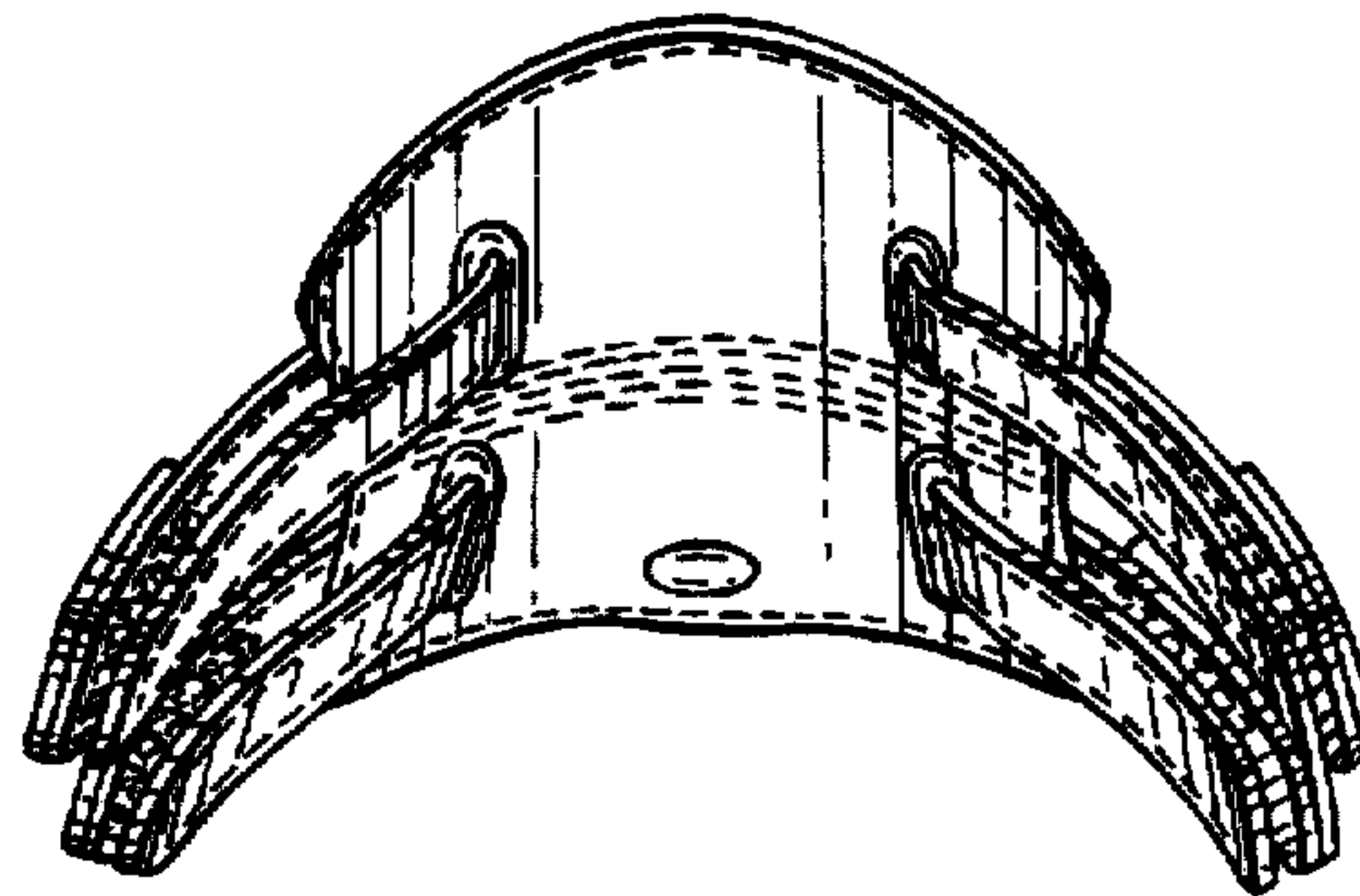
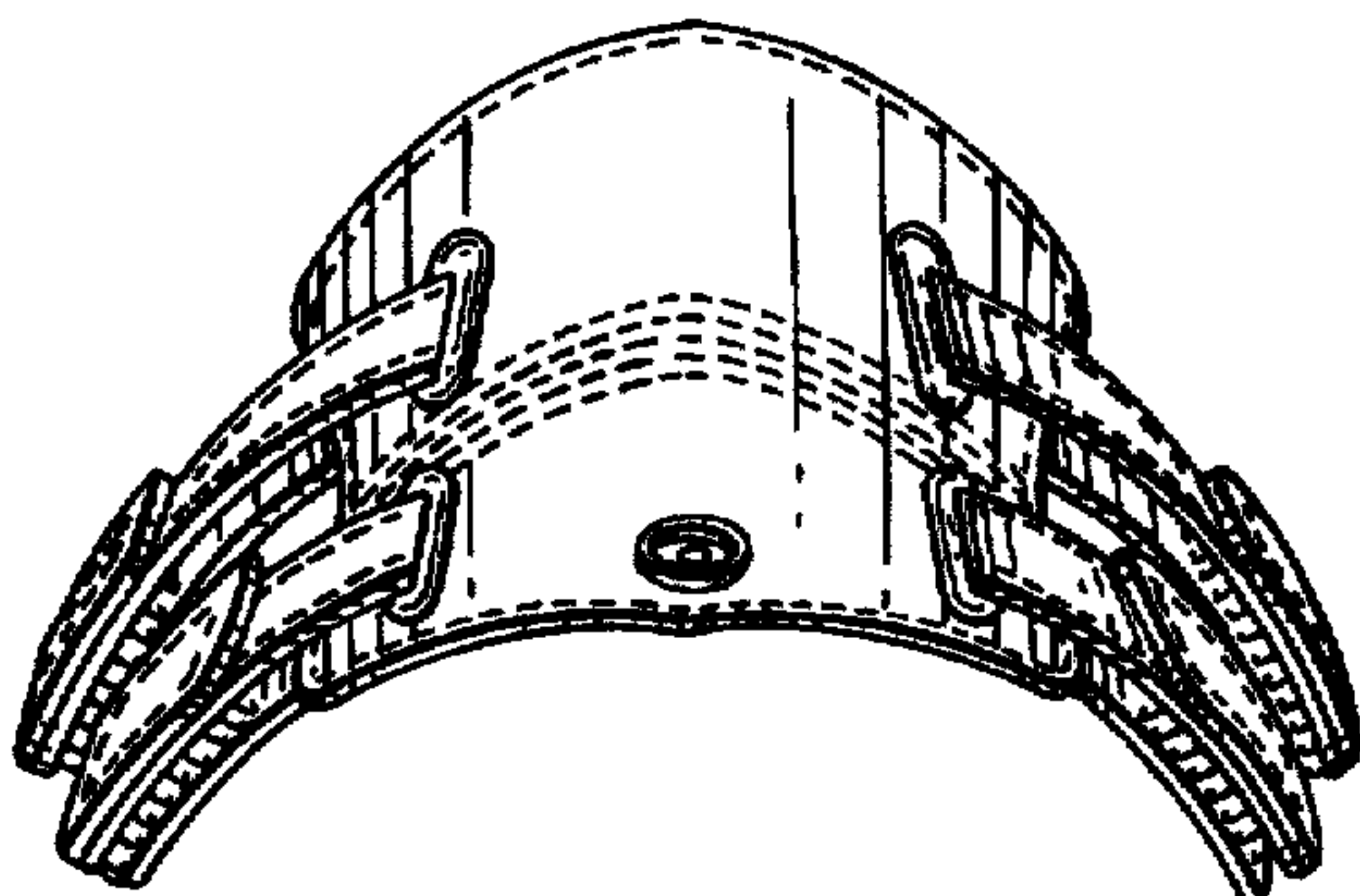
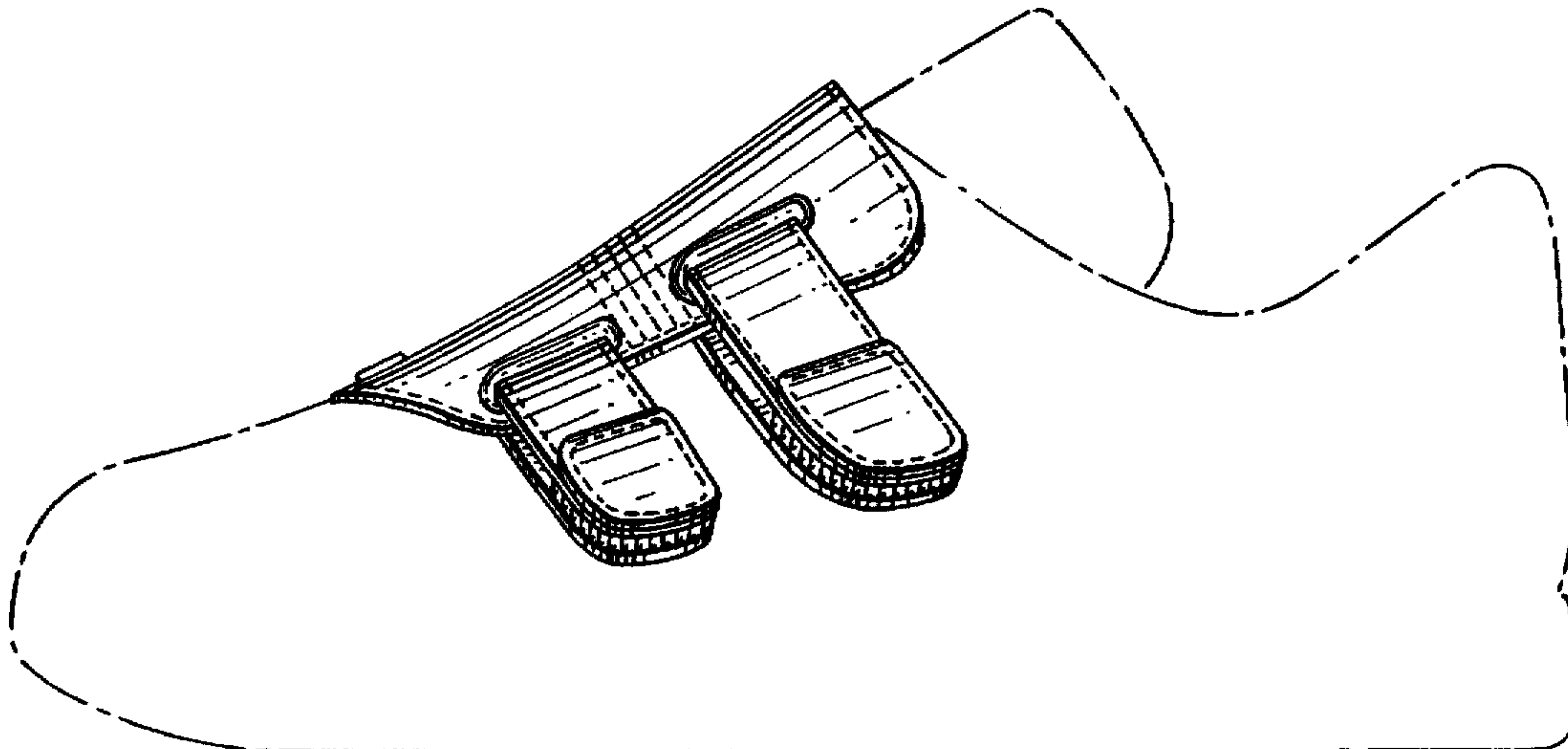
[57] **CLAIM**

The ornamental design for a shoe tongue cover, as shown and described.

DESCRIPTION

FIG. 1 is a right side view of a shoe tongue cover showing my new design, the left side view being a mirror image; FIG. 2 is a front view thereof; FIG. 3 is a top view thereof; FIG. 4 is a rear view thereof; and, FIG. 5 is a bottom view thereof.

1 Claim, 2 Drawing Sheets



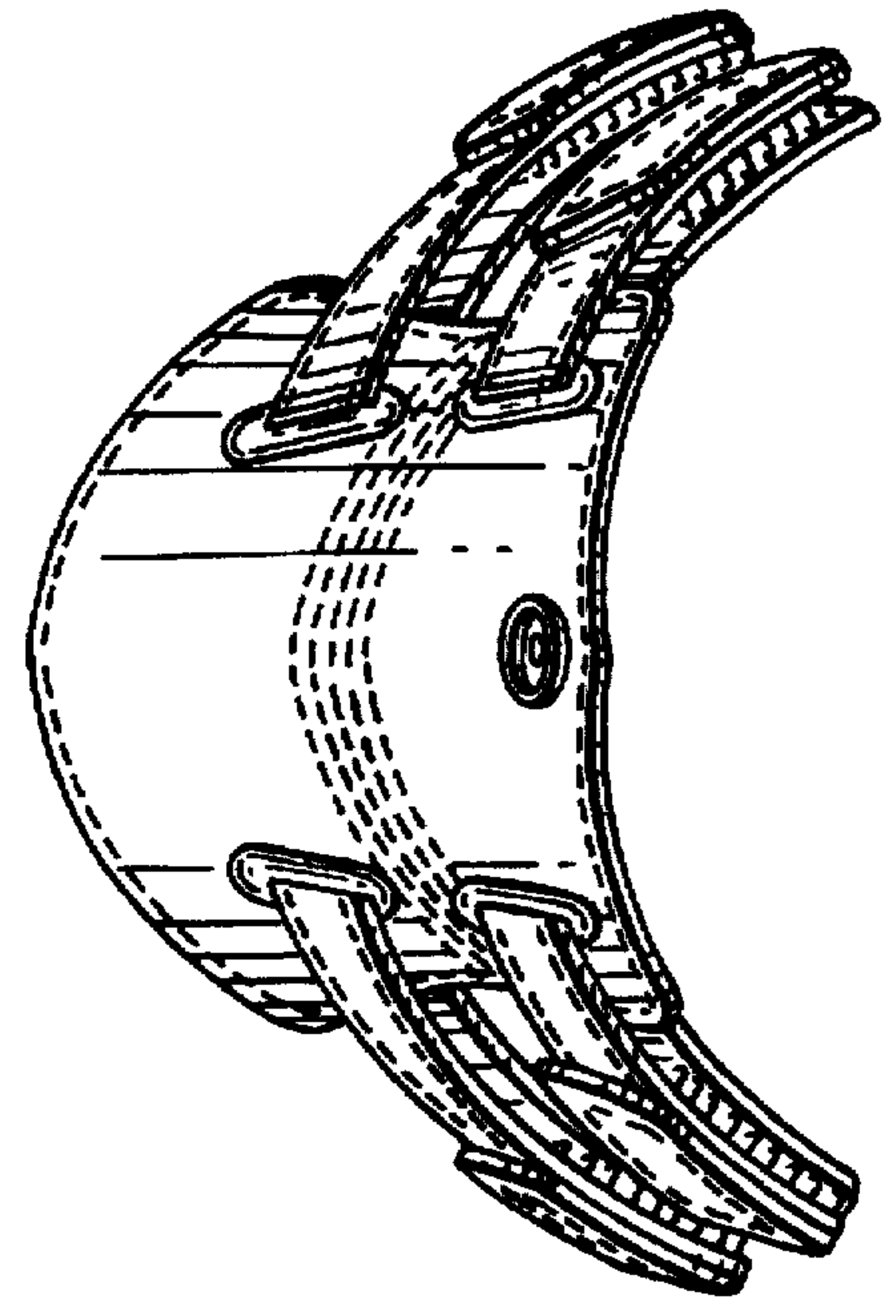
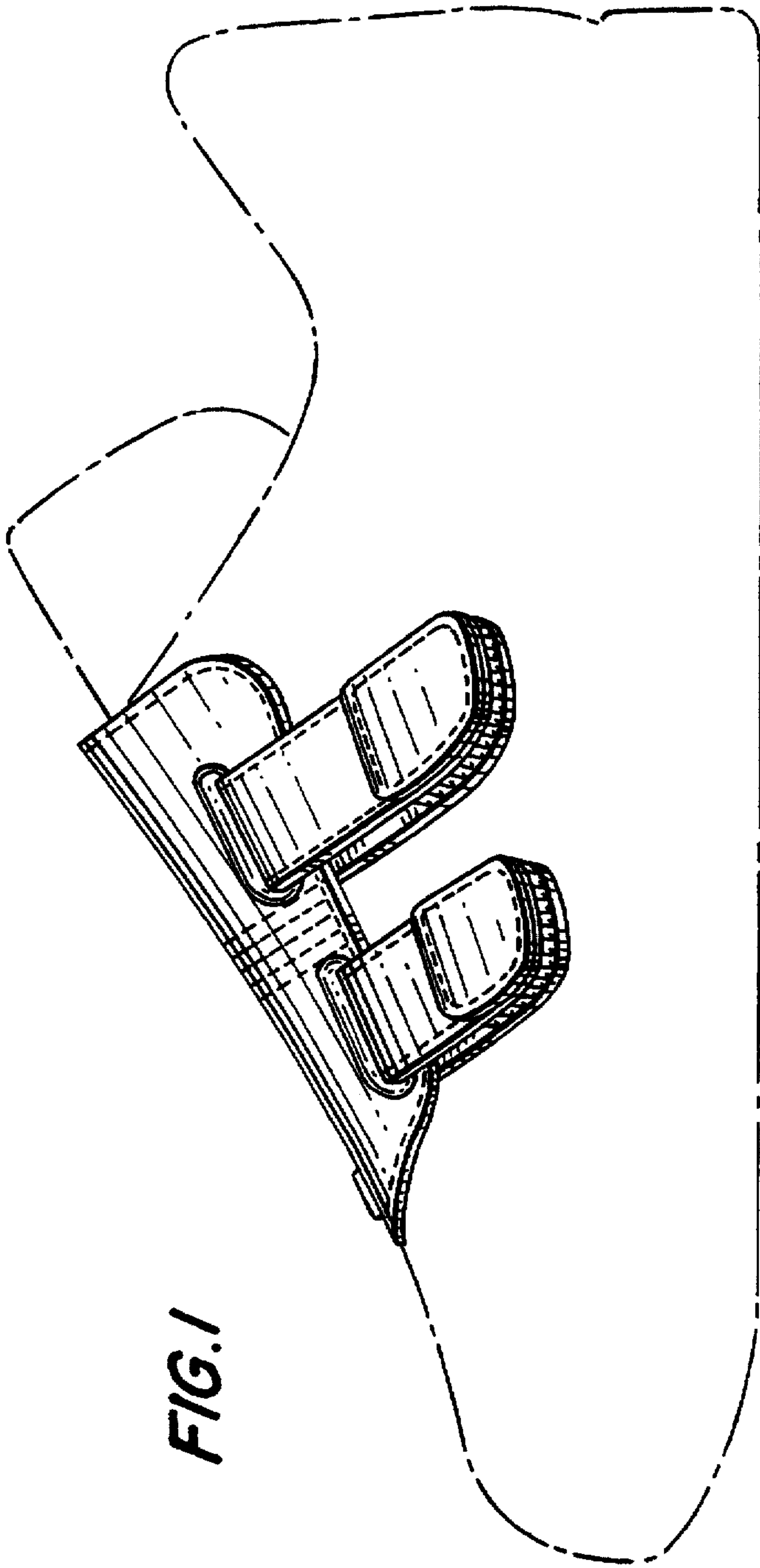


FIG. 3

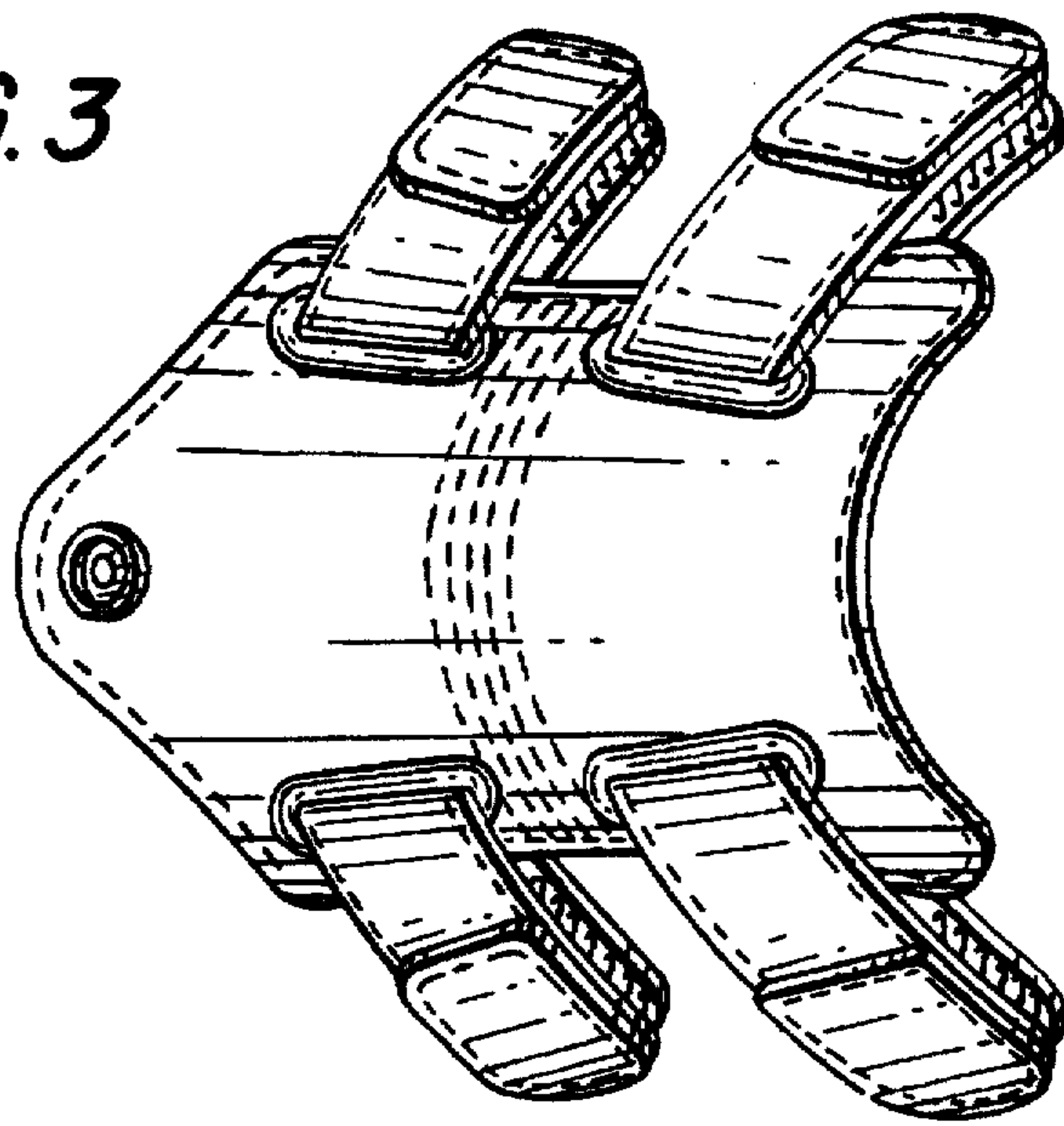


FIG. 4

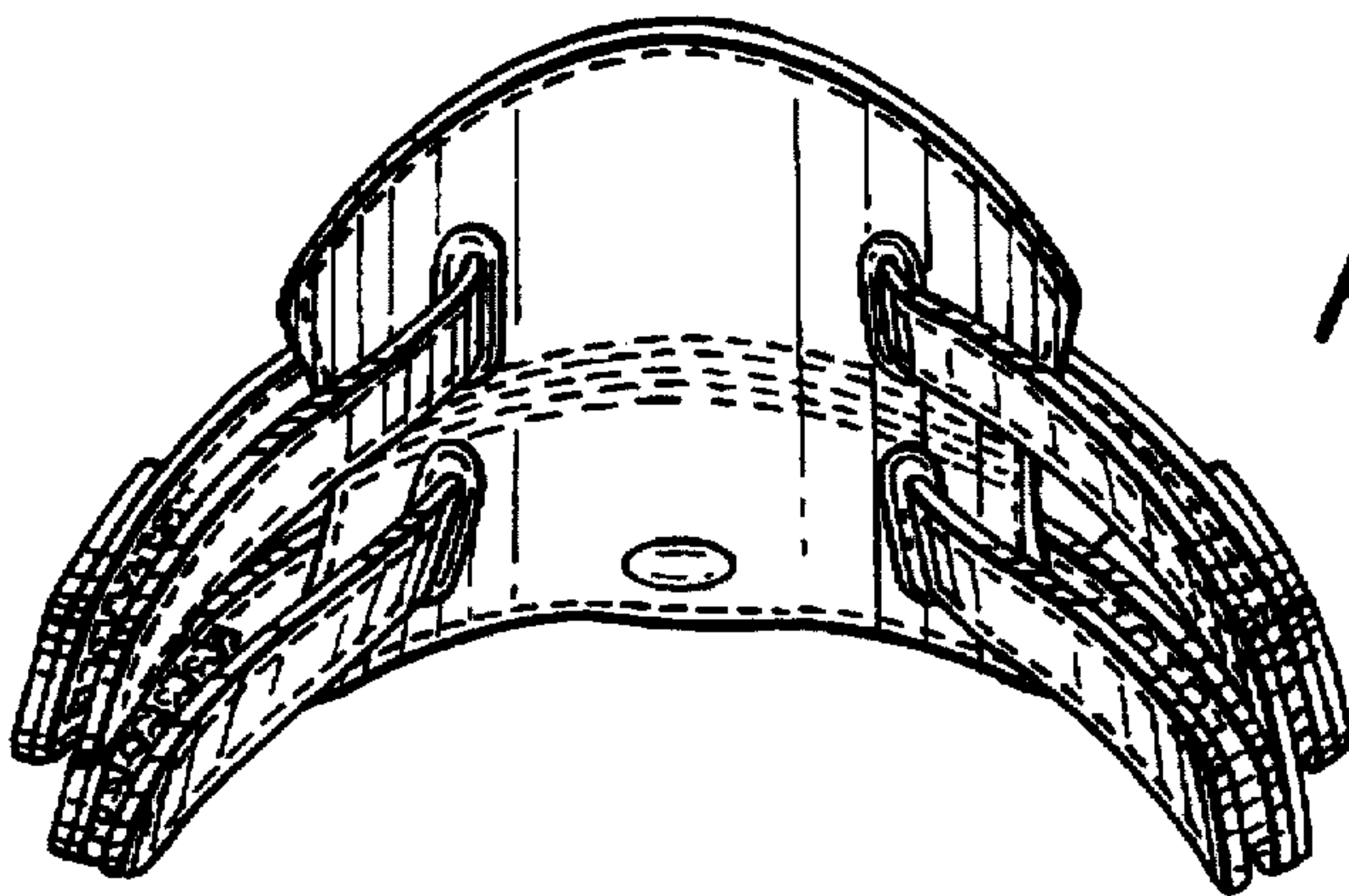


FIG. 5

