



US00D388243S

# United States Patent [19] Lupo

[11] Patent Number: Des. 388,243

[45] Date of Patent: \*\*Dec. 30, 1997

[54] CLIMBING BOOT HARNESS

[75] Inventor: Vincent A. Lupo, West Hills, Calif.

[73] Assignee: V.A. Wolf Inc., Burbank, Calif.

[\*\*] Term: 14 Years

[21] Appl. No.: 57,329

[22] Filed: Jul. 23, 1996

[51] LOC (6) CL ..... 02-04

[52] U.S. Cl. .... D2/963; D2/946; D2/962

[58] Field of Search ..... D2/896, 901, 910,  
D2/911, 912, 946, 951, 962, 963; 2/22;  
36/1.5, 2 R, 3 A, 7.3, 7.8, 59 R, 114, 132;  
182/134, 135, 221

[56] References Cited

U.S. PATENT DOCUMENTS

D. 306,921	3/1990	Pettinelli .....	D2/901 X
D. 324,292	3/1992	Parrish .....	D2/963
D. 342,150	12/1993	Nava .....	D2/962
696,764	4/1902	Shibe .....	2/22
833,546	10/1906	Pierce .....	2/22
938,905	11/1909	Speerstra .	
2,367,159	5/1945	Bennington .	
3,025,927	9/1962	Stein .	
3,297,105	1/1967	Lawrence .	
3,414,083	12/1968	Rininger .....	182/221
3,867,998	2/1975	Joseph .	
4,153,139	5/1979	Houch .	

4,198,771	4/1980	Foster .	
4,524,530	6/1985	Greenway .	
4,530,420	7/1985	Hobbs .	
4,623,037	11/1986	Kincaid .	
4,679,658	7/1987	Demers .	
4,730,702	3/1988	Torbett .	
4,875,550	10/1989	Rullo .	
4,938,313	7/1990	Rullo et al. ....	182/221
4,993,515	2/1991	Green et al. .	
5,016,734	5/1991	Greenway .	
5,231,775	8/1993	Trent, Jr. .	

Primary Examiner—Louis S. Zarfes  
Assistant Examiner—Monica A. Weingart  
Attorney, Agent, or Firm—Kelly Bauersfeld Lowry & Kelley, LLP

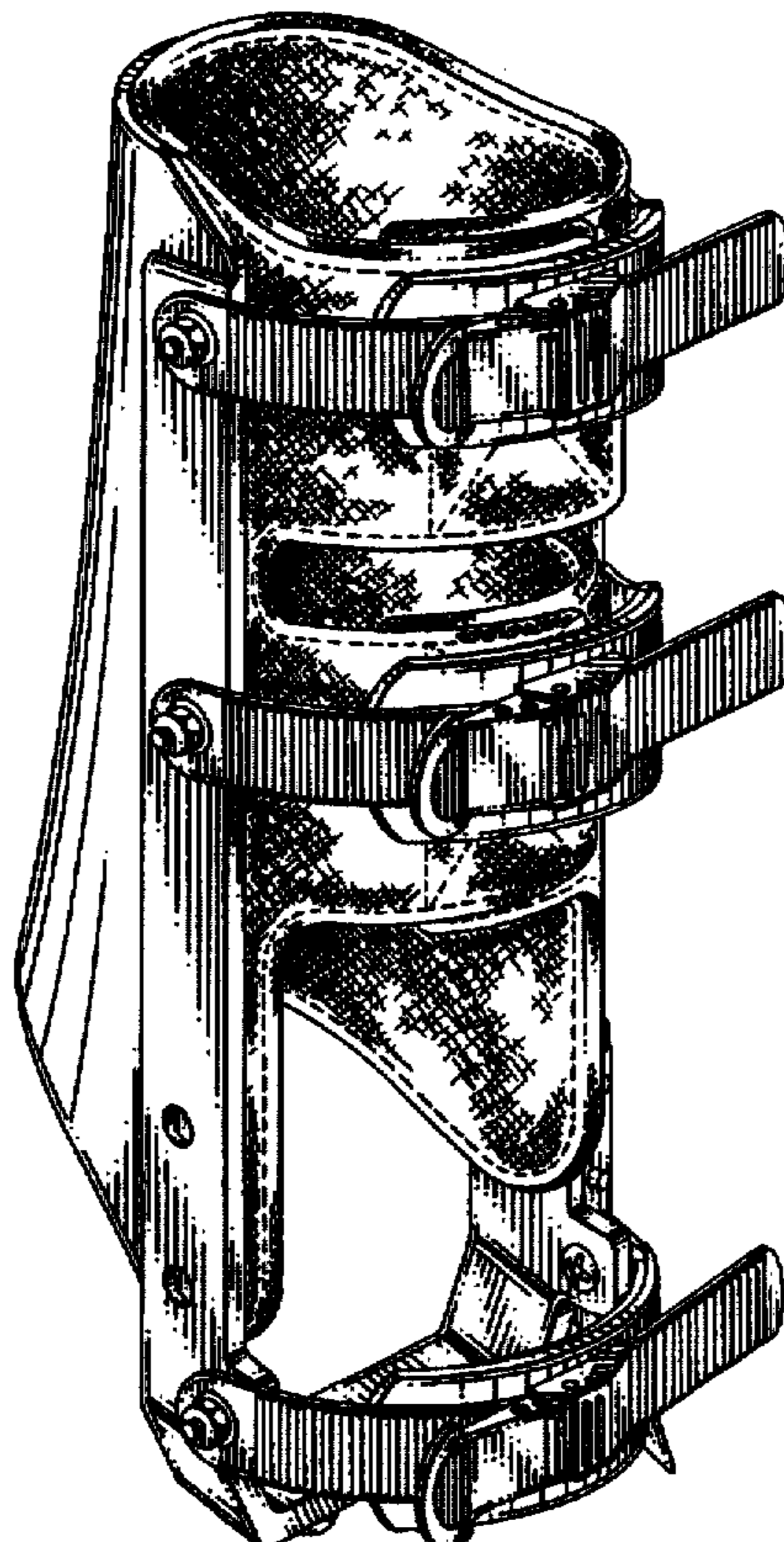
[57] CLAIM

The ornamental design for an climbing boot harness, as shown and described.

DESCRIPTION

FIG. 1 is a perspective view showing the front inboard and top sides of a climbing boot harness embodying the new design;  
FIG. 2 is a front elevation view thereof;  
FIG. 3 is a left side elevational view thereof;  
FIG. 4 is a right side elevational view thereof;  
FIG. 5 is a rear elevation view thereof;  
FIG. 6 is a bottom plan view thereof; and,  
FIG. 7 is a top plan view thereof.

1 Claim, 2 Drawing Sheets



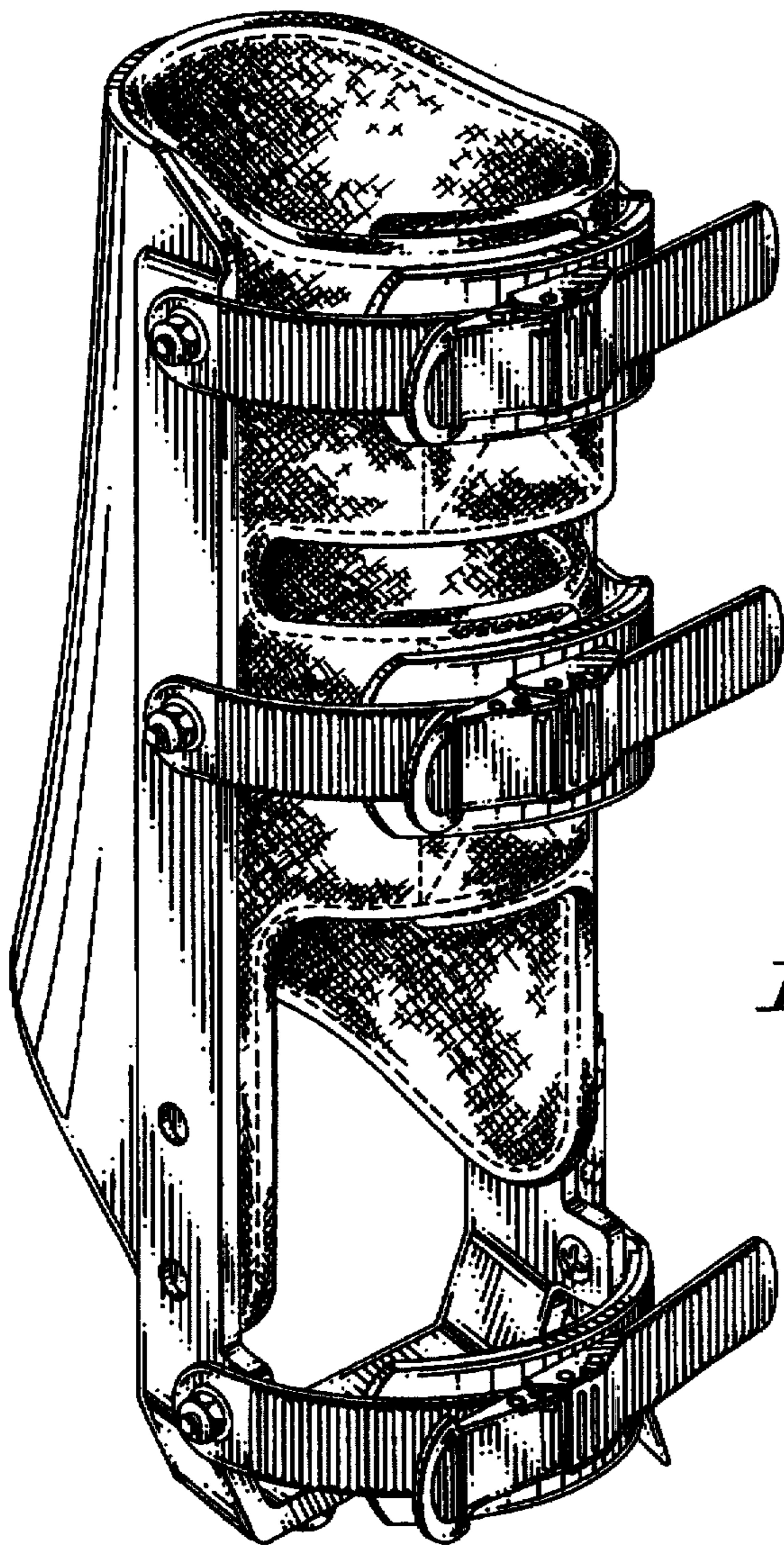


FIG. 1

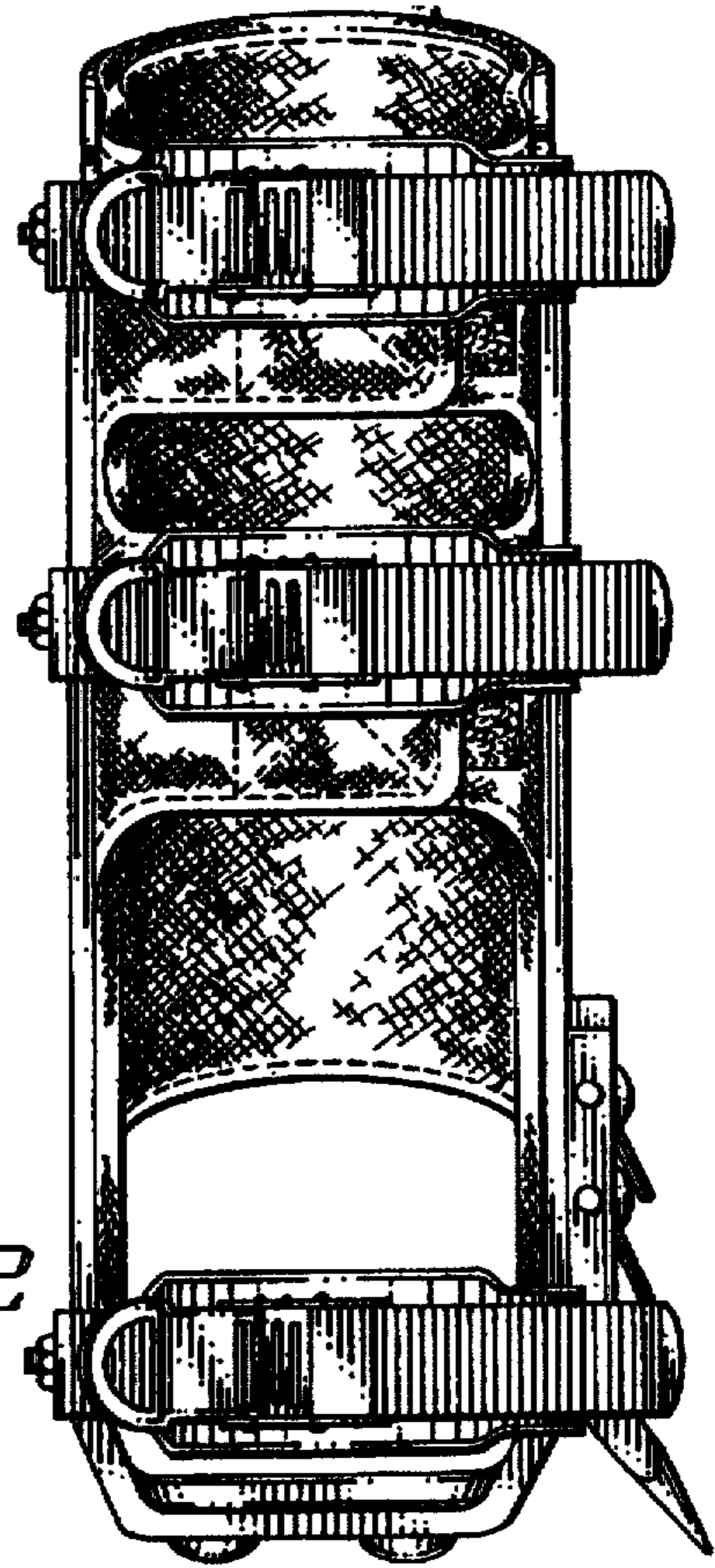


FIG. 2

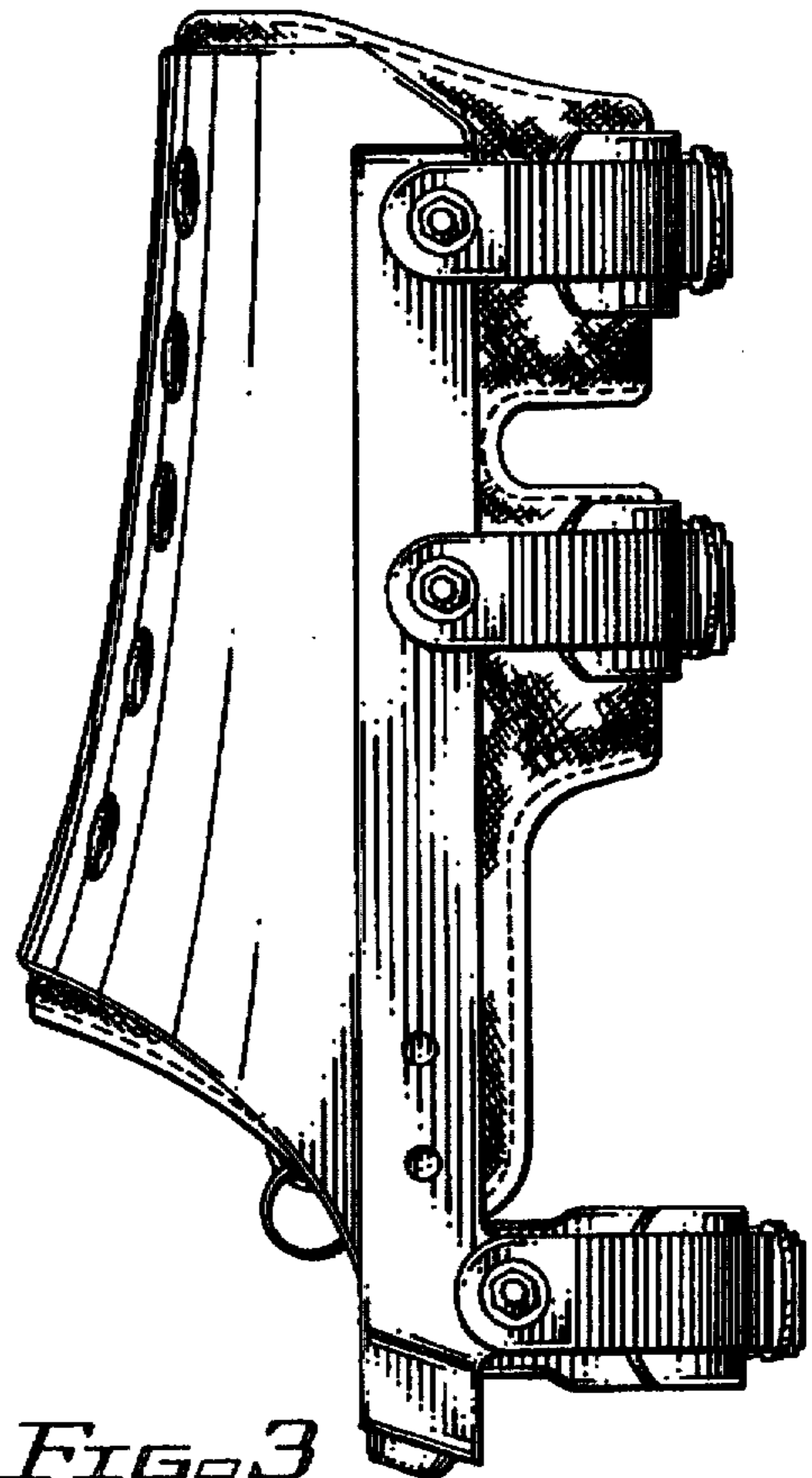


FIG. 3

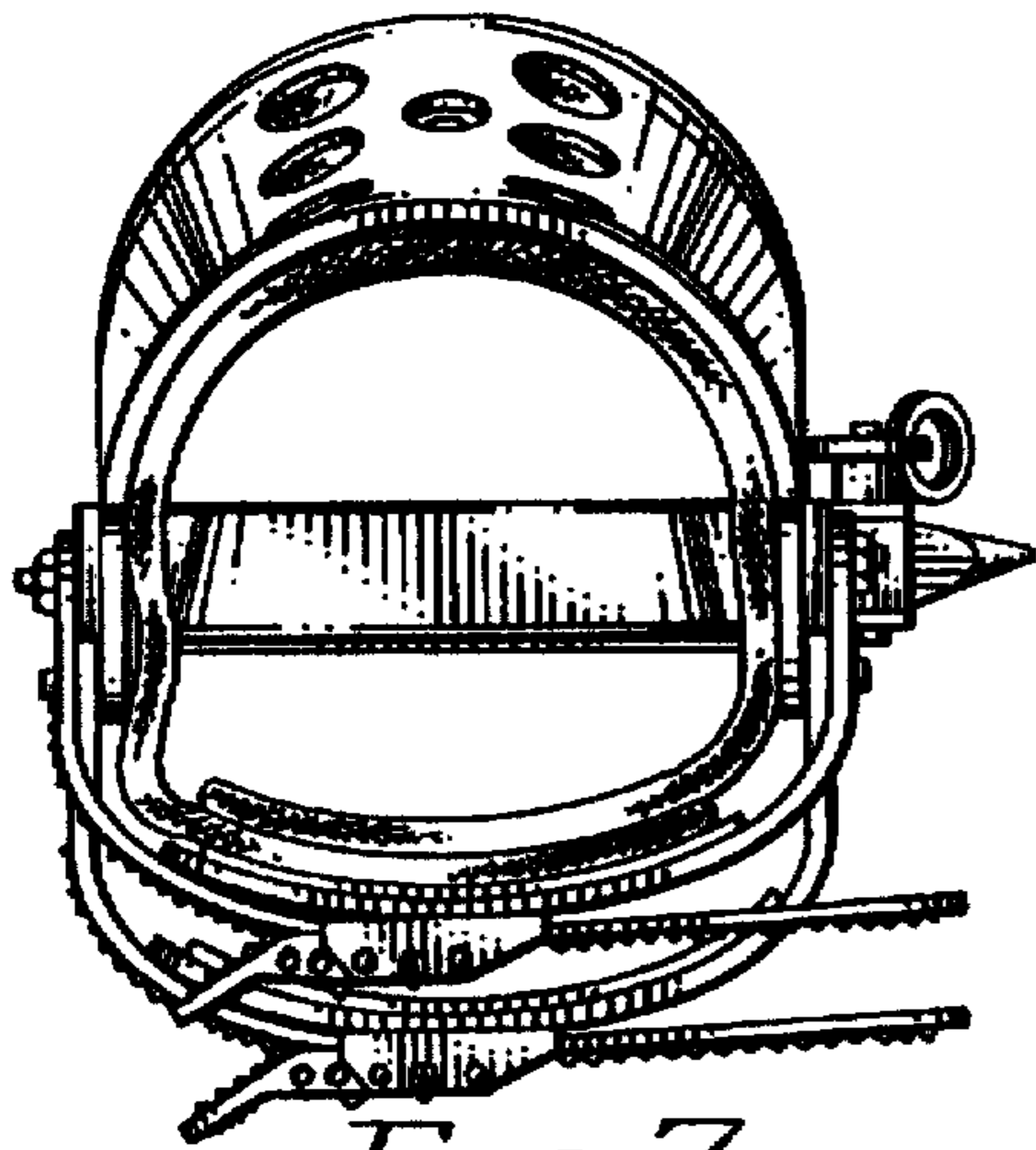


FIG. 7



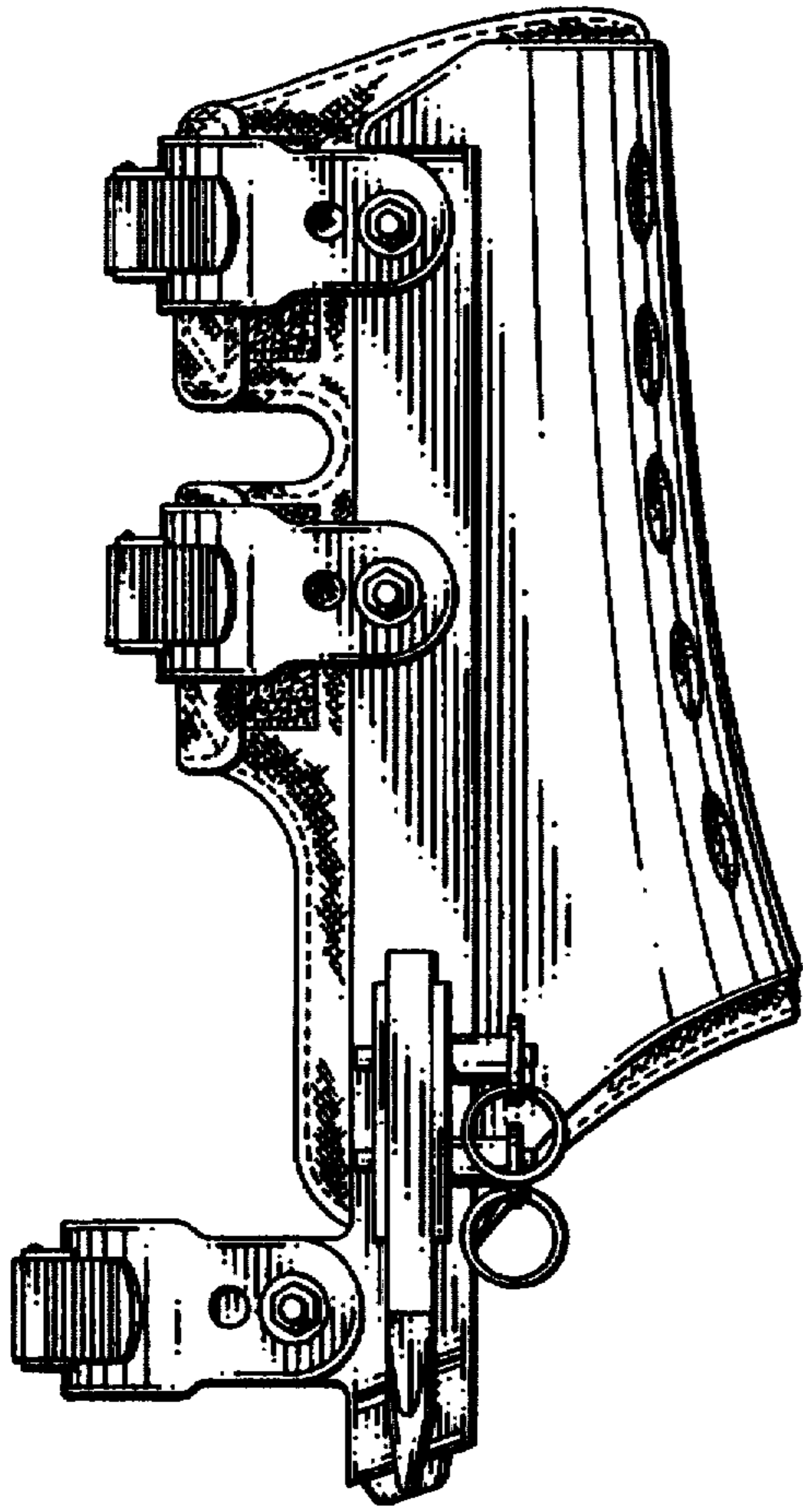


FIG. 4

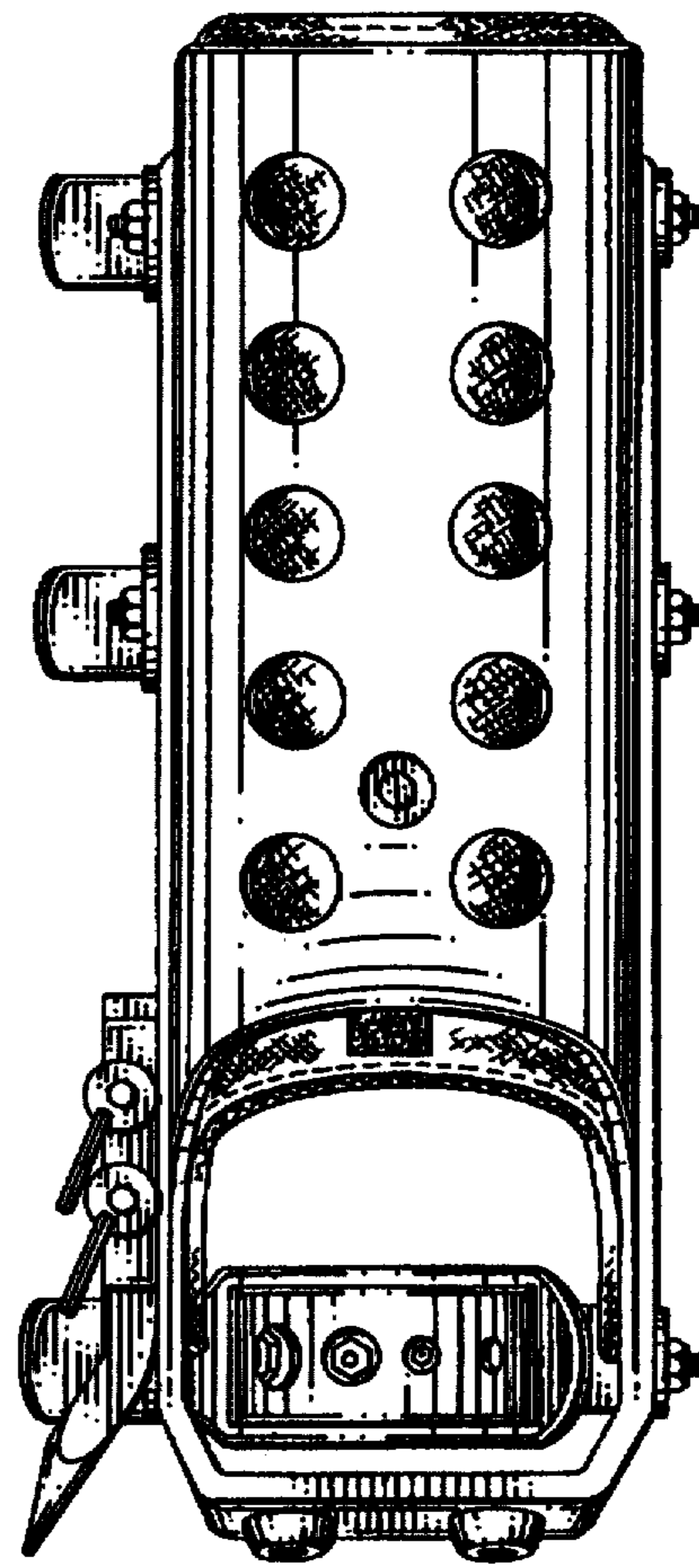


FIG. 5

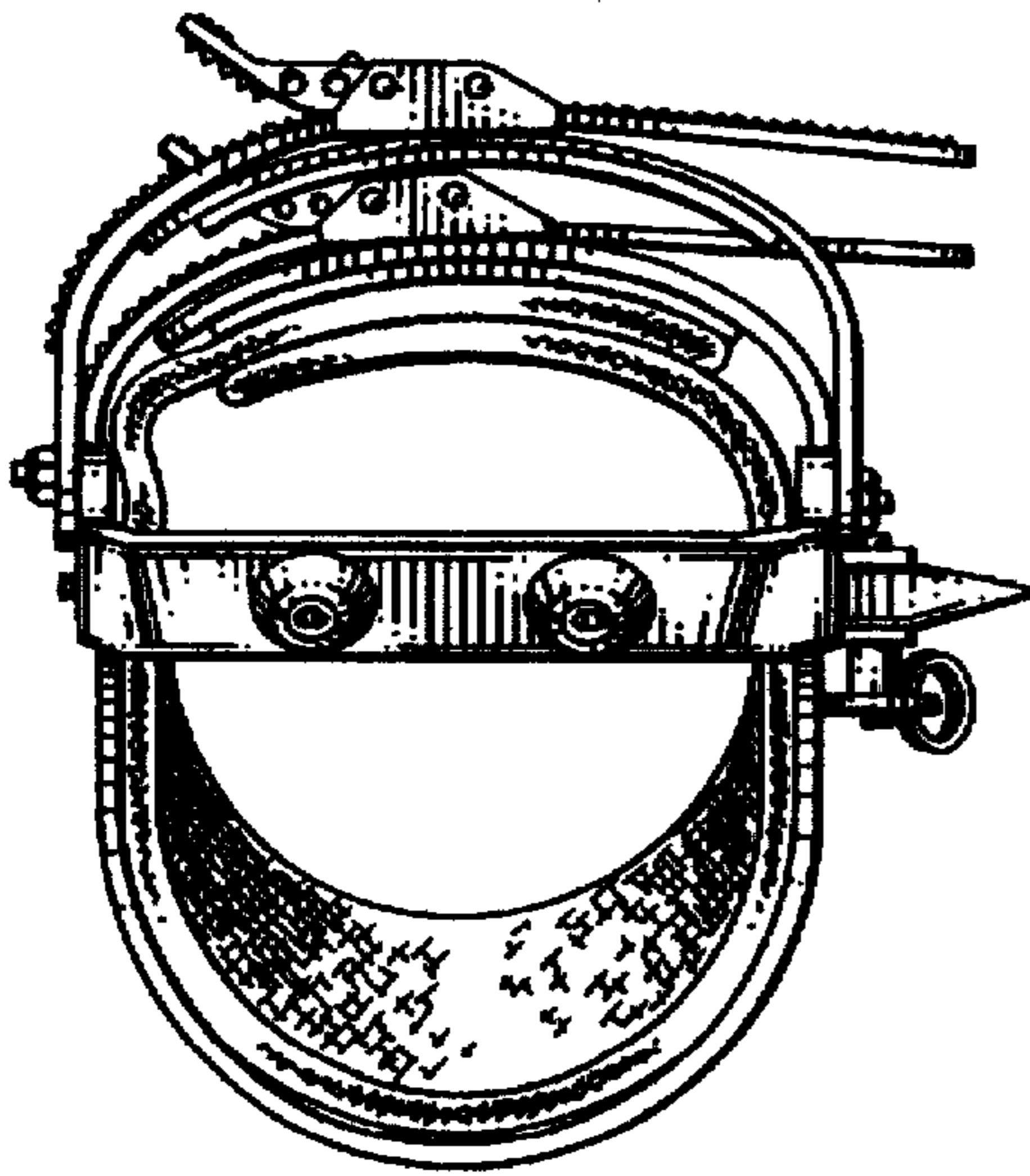


FIG. 6