



US00D388240S

United States Patent [19]
Martz

[11] **Patent Number: Des. 388,240**
[45] **Date of Patent: **Dec. 30, 1997**

[54] **HAT**

[76] **Inventor: Raymond L. Martz, 1036 W. Mallard Dr., Palatine, Ill. 60067**

[**] **Term: 14 Years**

[21] **Appl. No.: 63,252**

[22] **Filed: Dec. 3, 1996**

[51] **LOC (6) CL 02-03**

[52] **U.S. Cl. D2/884**

[58] **Field of Search D2/865, 866, 876, D2/867, 881, 882, 879, 893, 884; 2/171, 181, 195.1, 200.1, 200.2, 10**

[56] **References Cited**

U.S. PATENT DOCUMENTS

D. 350,847	9/1994	Thomas	D2/882
D. 374,972	10/1996	Nelson et al.	D2/882 X
4,549,316	10/1985	Johnson	2/195.1
4,872,218	10/1989	Holt	2/195.1 X
4,989,270	2/1991	Boughten	2/195.1 X
5,099,524	3/1992	Linday	2/171 X
5,107,548	4/1992	Dotzenrod	2/195.1 X
5,481,759	1/1996	Rinaldi	2/195.1
5,509,145	4/1996	Stevenson et al.	2/195.1
5,613,246	3/1997	Alexander	2/195.1 X

Primary Examiner—Paula A. Mortimer
Attorney, Agent, or Firm—Dressler, Rockey, Milnamow & Katz, Ltd.

[57] **CLAIM**

The ornamental design for a hat, as shown and described.

DESCRIPTION

FIG. 1 is a perspective view of a hat showing my new design, the broken line showing of the human form is for illustrative purposes only and forms no part of the claimed design;

FIG. 2 is a left side elevational view of the hat shown in FIG. 1;

FIG. 3 is a right side elevational view of the hat as shown in FIG. 1;

FIG. 4 is a front elevational view of the hat as shown in FIG. 1;

FIG. 5 is a rear elevational view of the hat as shown in FIG. 1;

FIG. 6 is a top plan view of the hat as shown in FIG. 1;

FIG. 7 is a bottom plan view of the hat as shown in FIG. 1;

FIG. 8 is a perspective view of a second embodiment of a hat showing my new design, the broken line showing of the human form is for illustrative purposes only and forms no part of the claimed design;

FIG. 9 is a left side elevational view of the hat as shown in FIG. 8;

FIG. 10 is a right side elevational view of the hat as shown in FIG. 8;

FIG. 11 is a front elevational view of the hat as shown in FIG. 8;

FIG. 12 is a rear elevational view of the hat as shown in FIG. 8;

FIG. 13 is a top plan view of the hat as shown in FIG. 8; and, FIG. 14 is a bottom plan view of the hat as shown in FIG. 8.

1 Claim, 6 Drawing Sheets



FIG. 1

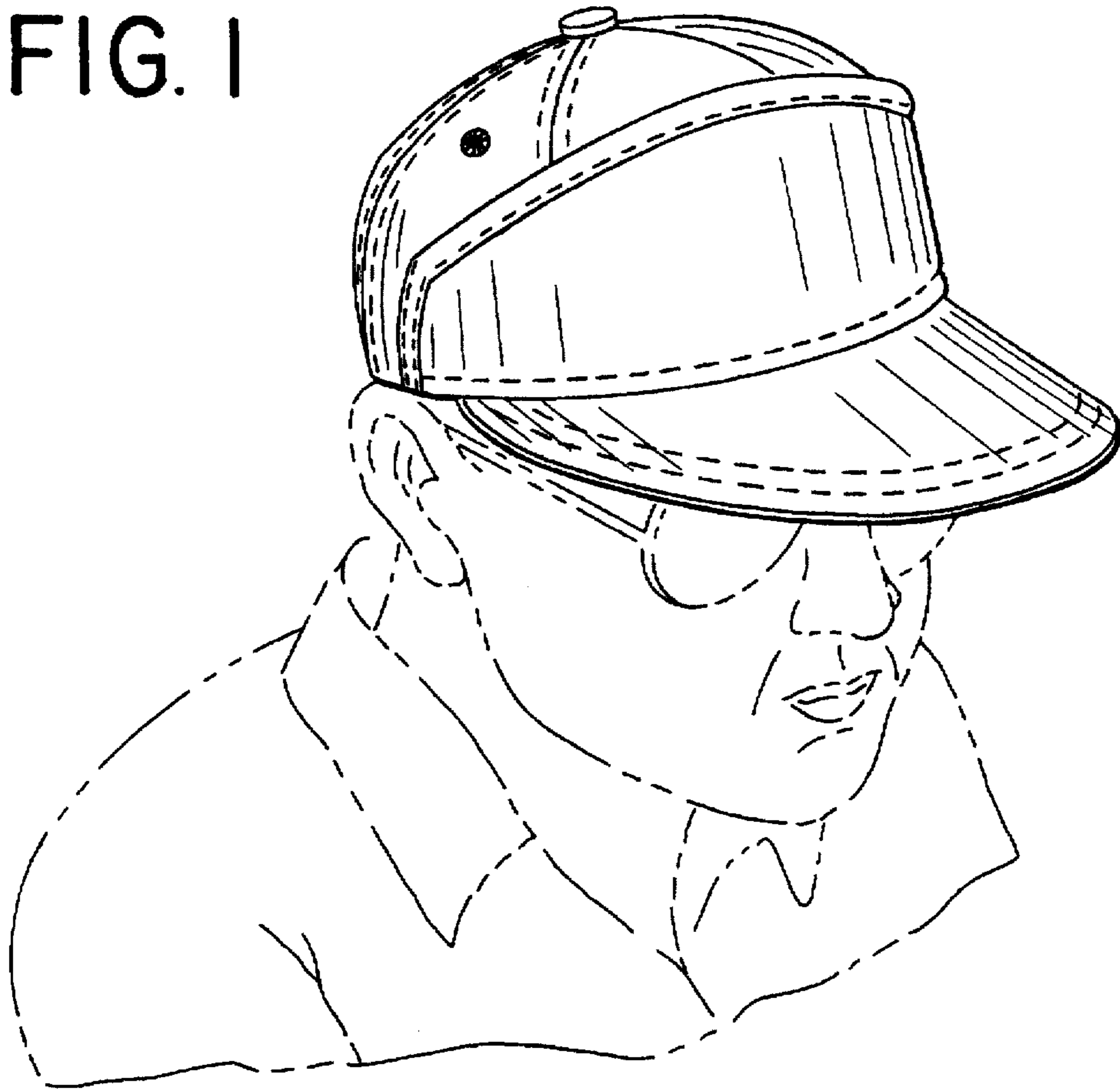


FIG. 2

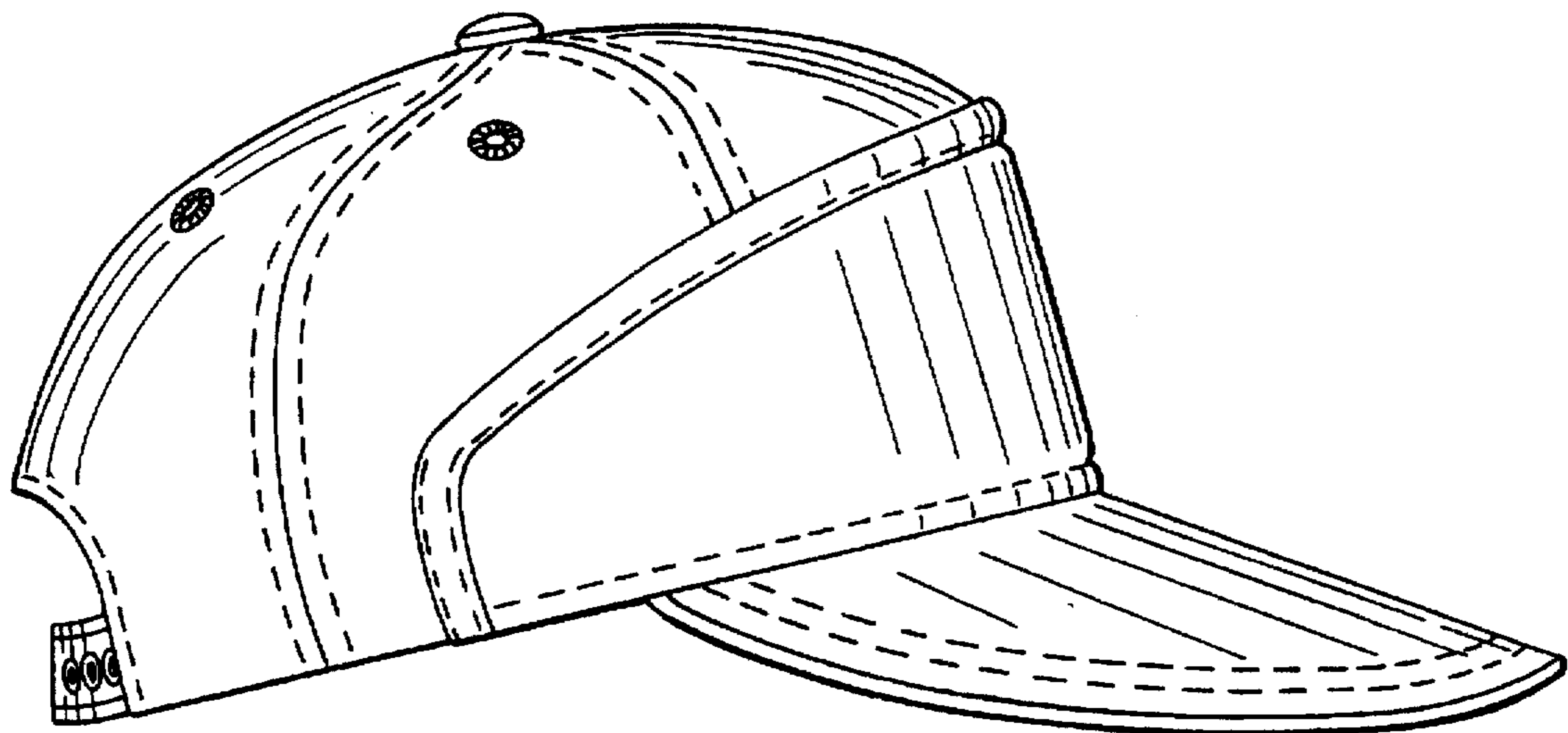


FIG. 3

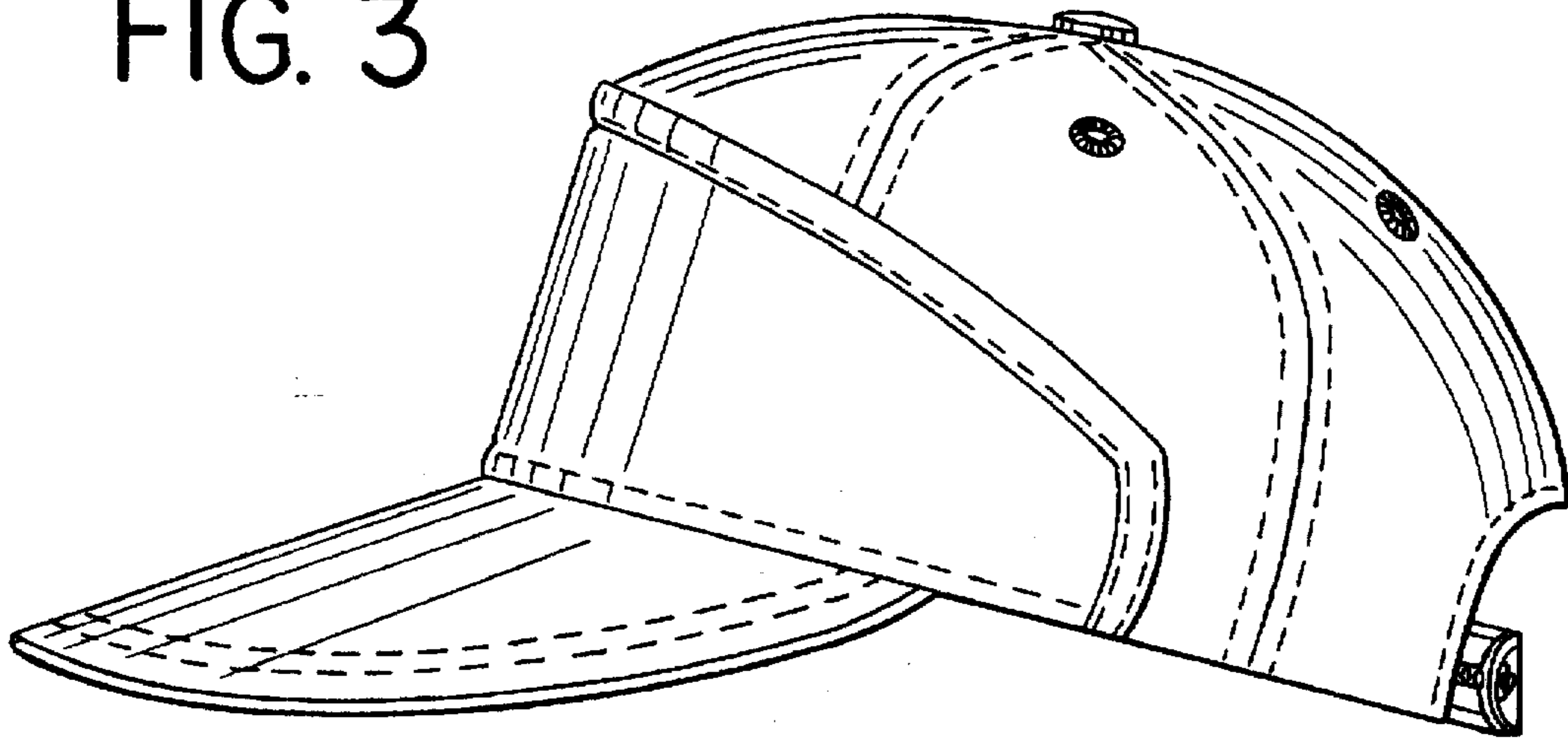


FIG. 4

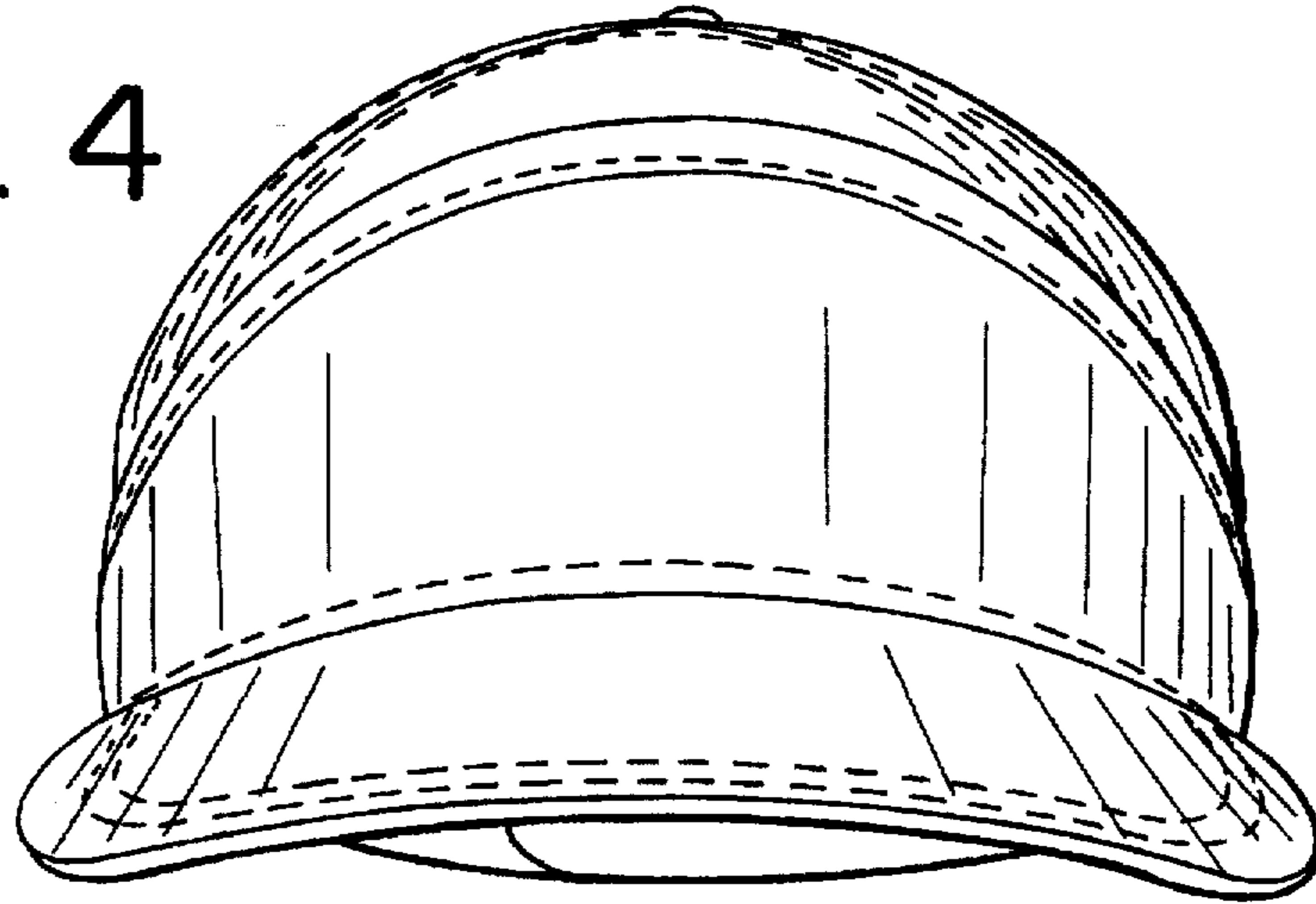


FIG. 5

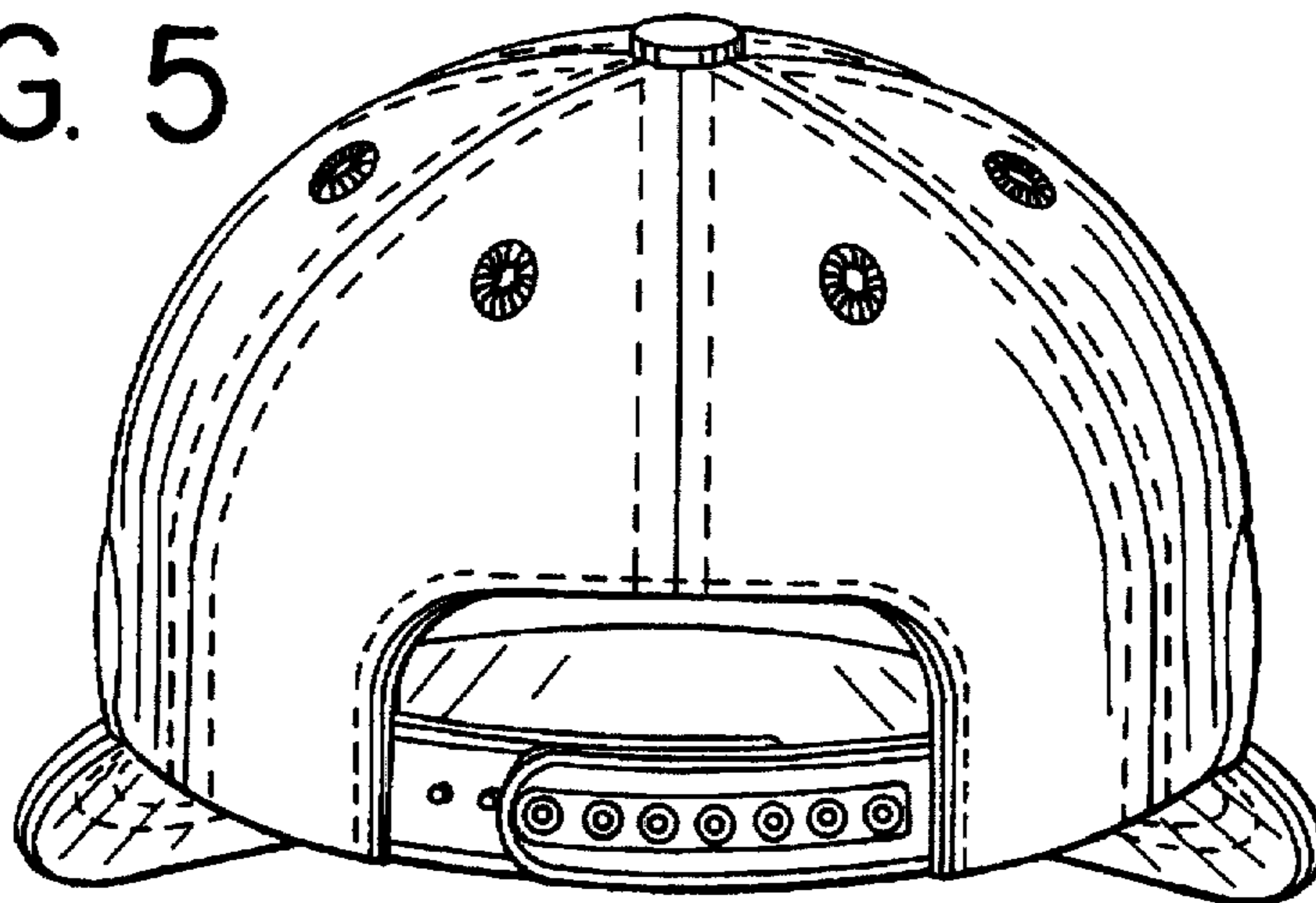


FIG. 6

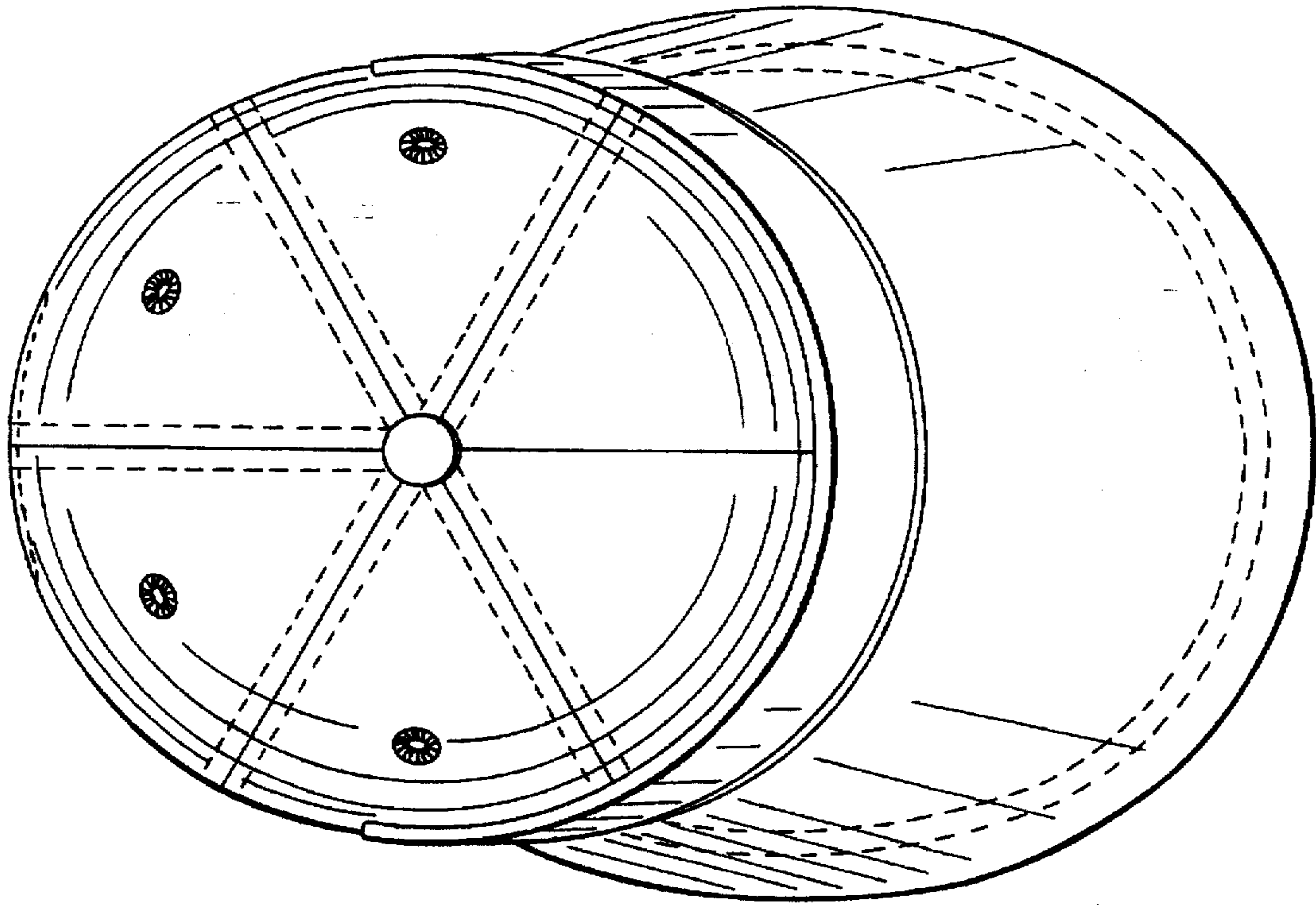


FIG. 7

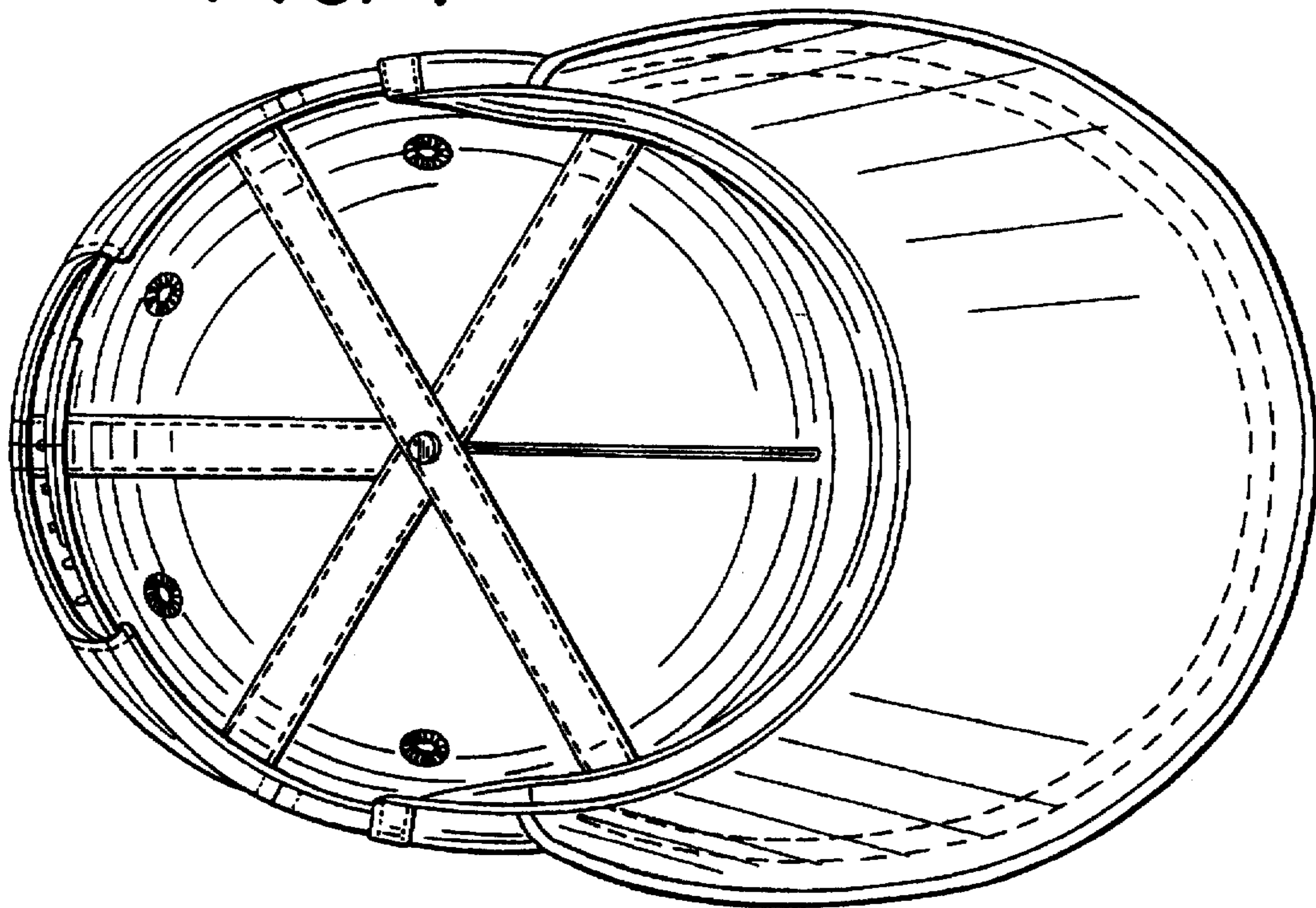


FIG.8

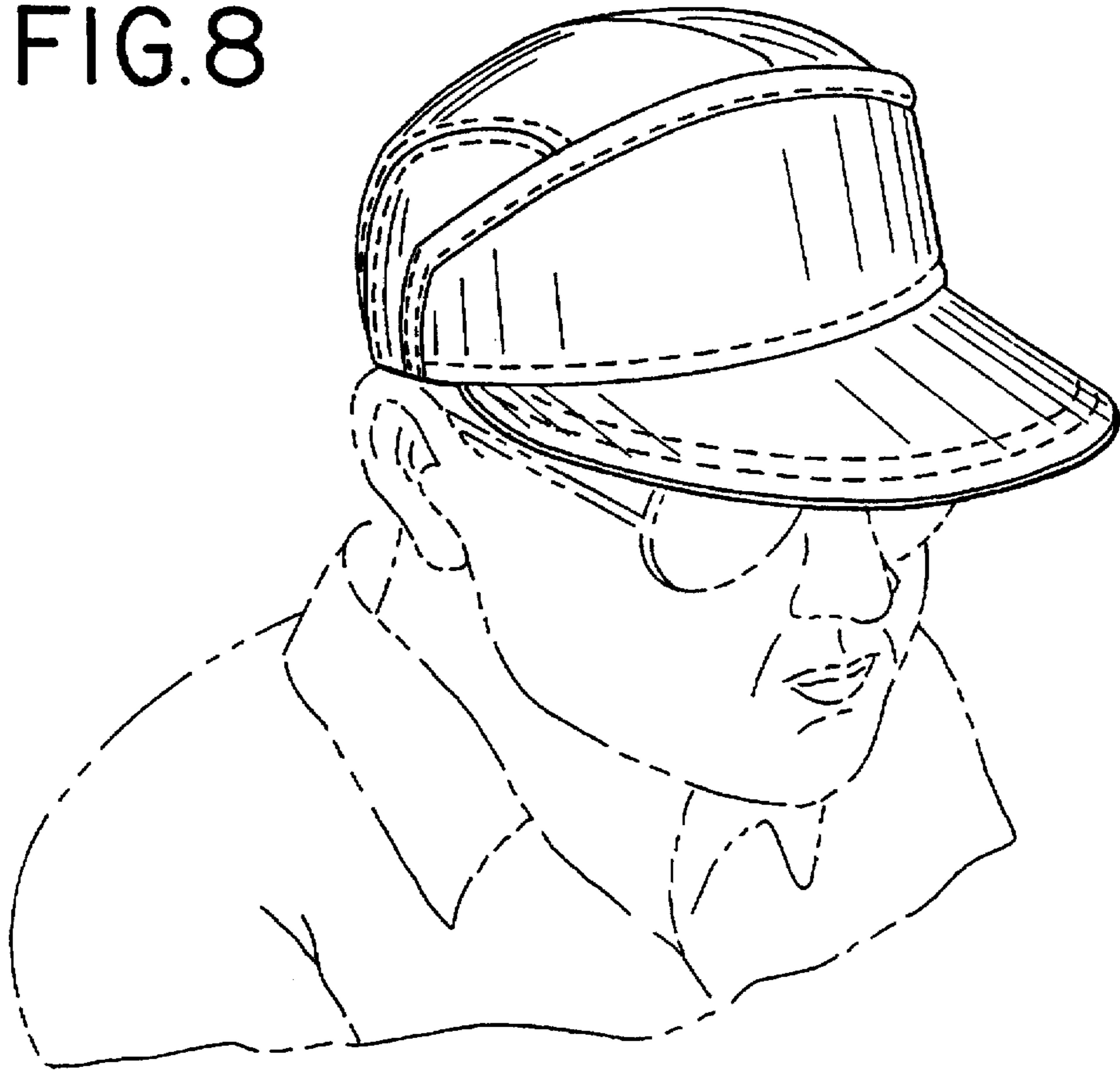


FIG.9

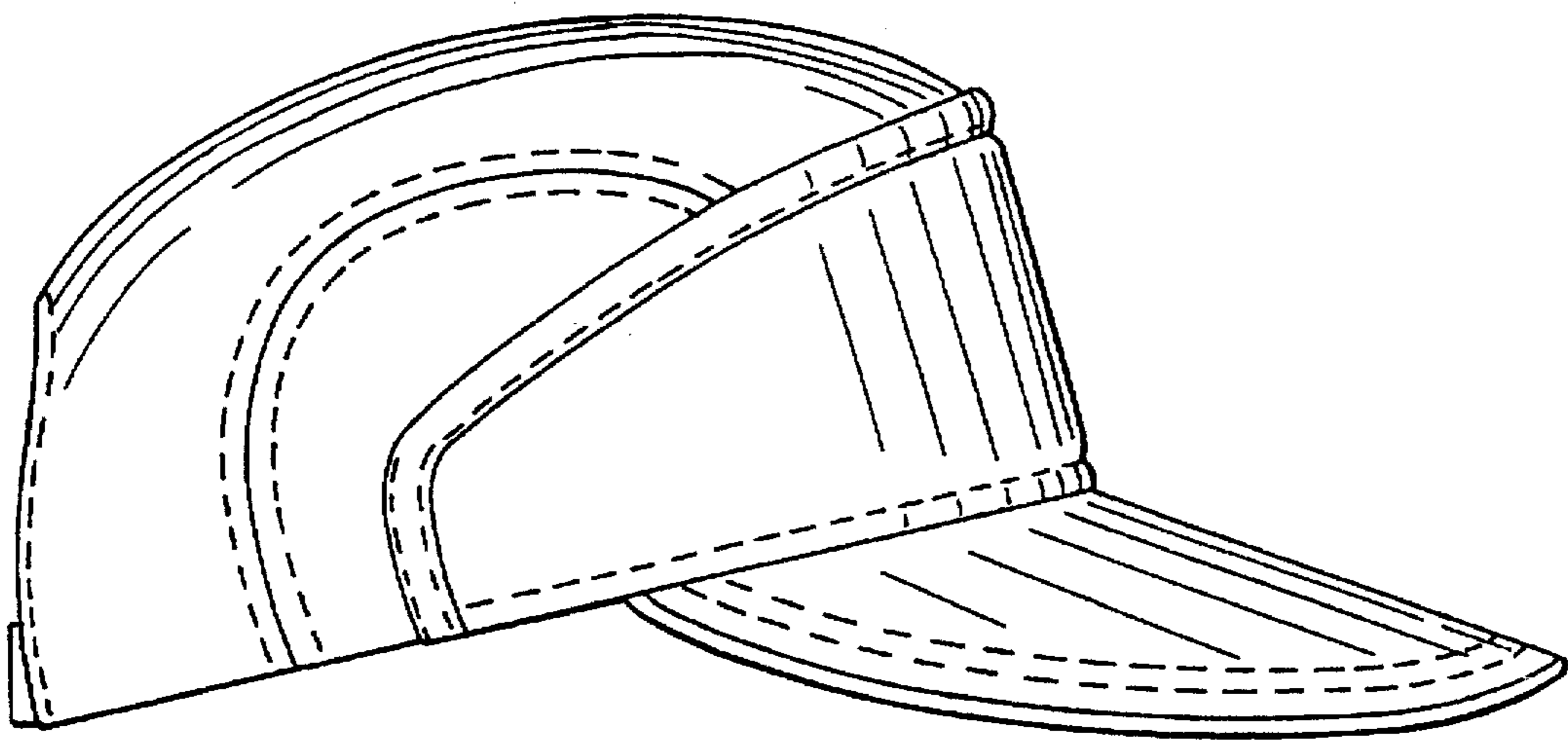


FIG. 10

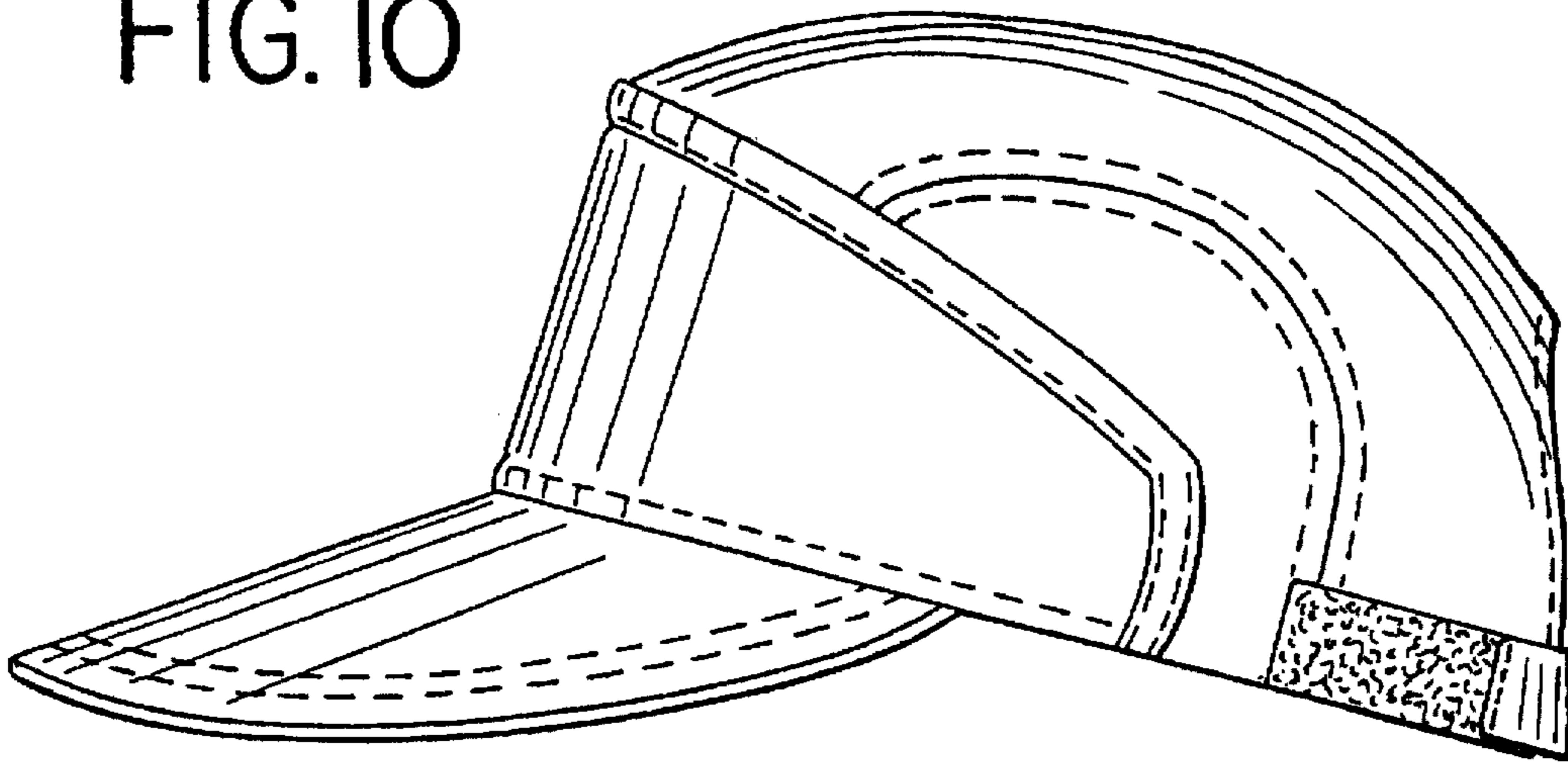


FIG. 11

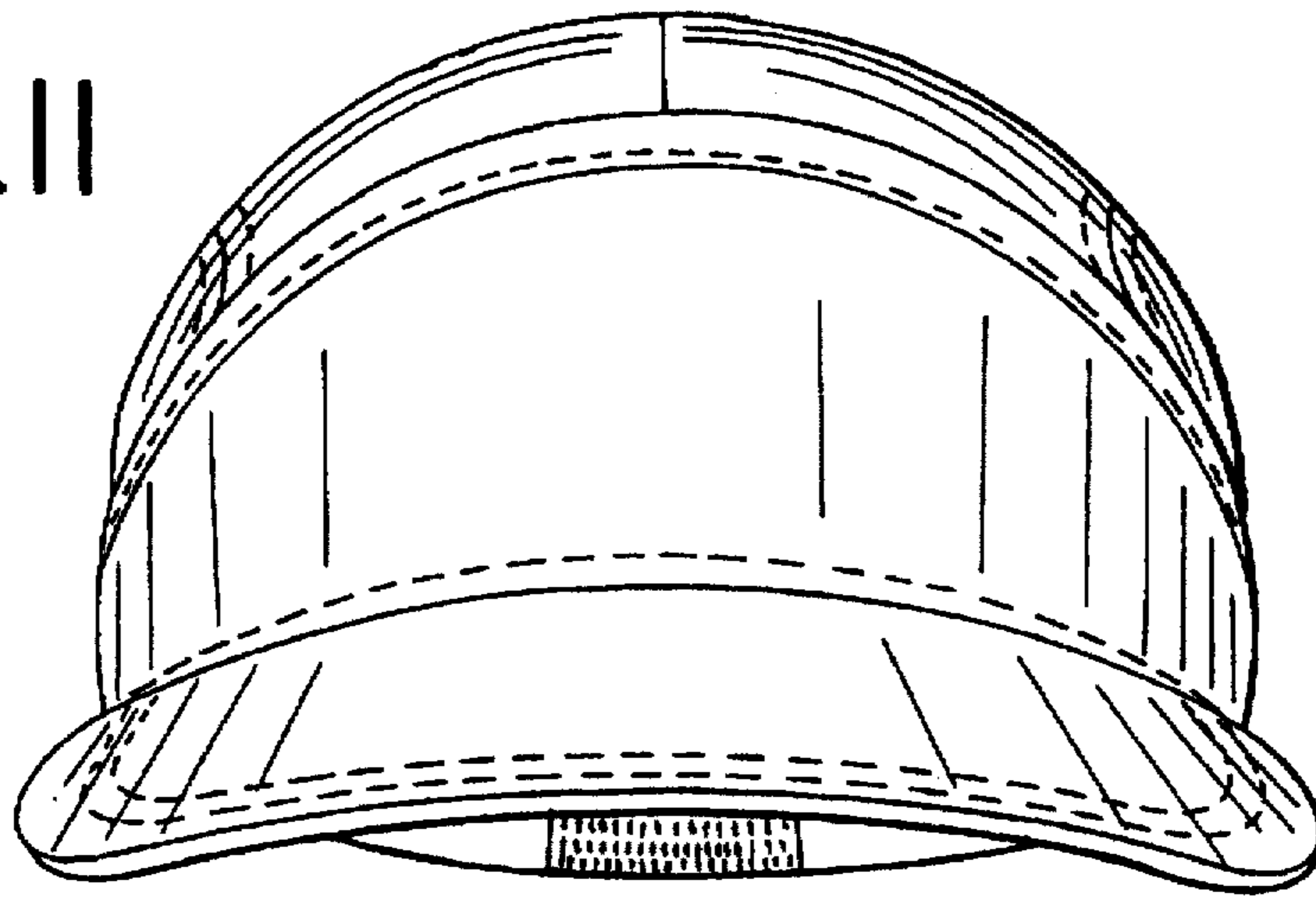


FIG. 12

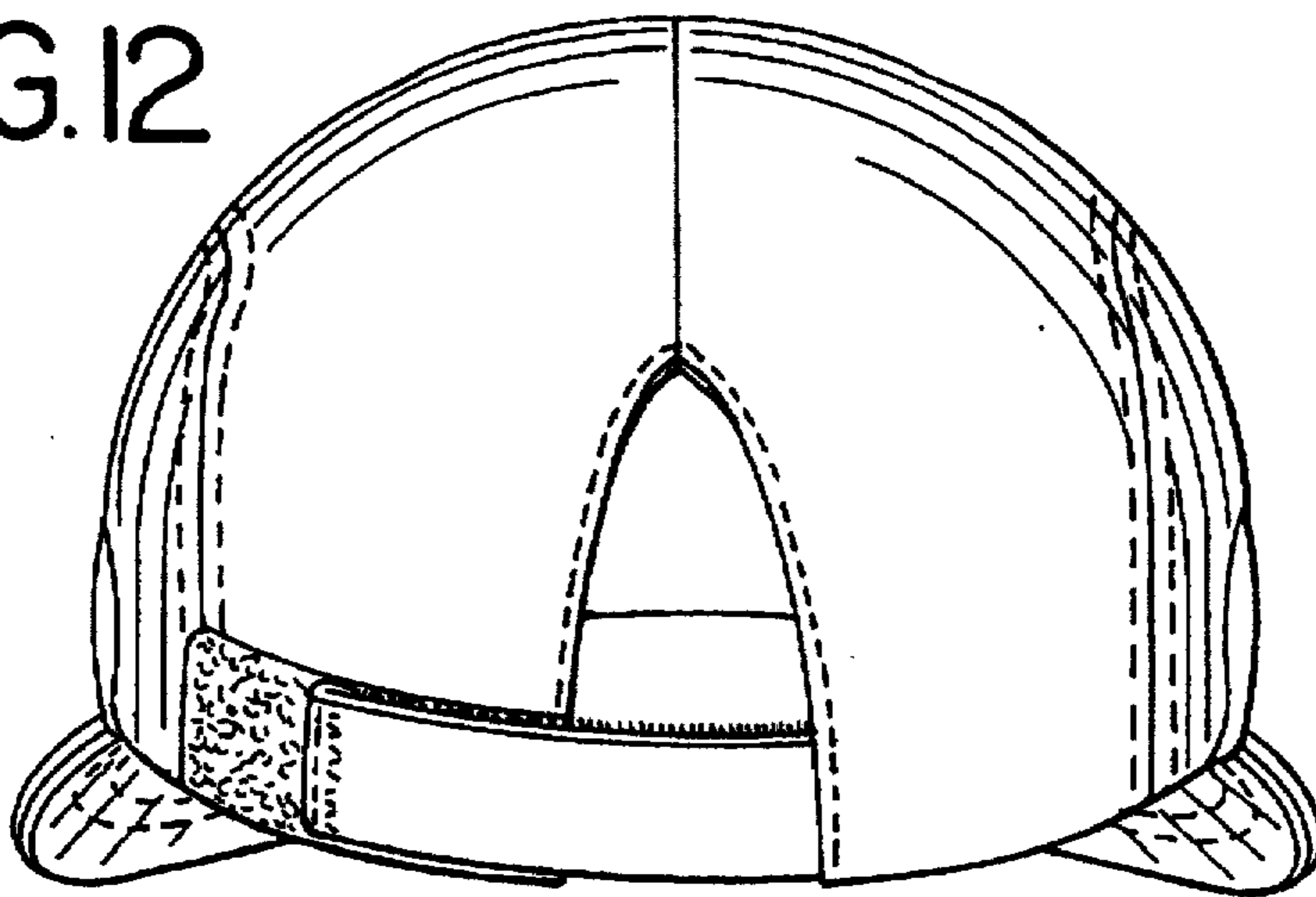


FIG.13

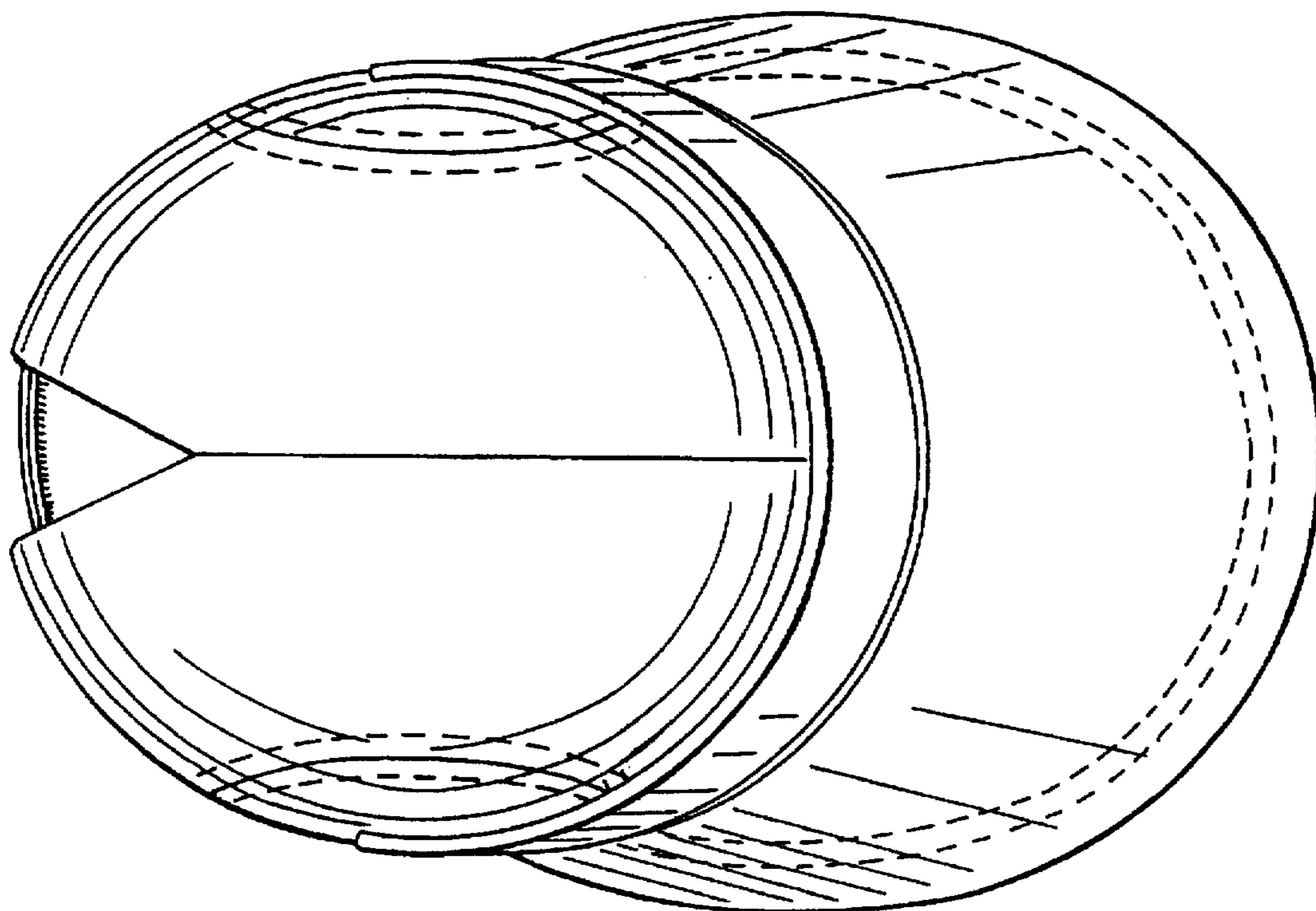


FIG.14

