



US00D388231S

# United States Patent [19]

Magee et al.

[11] Patent Number: **Des. 388,231**

[45] Date of Patent: **\*\*Dec. 23, 1997**

[54] **AUTOMATED BANKING MACHINE**

[75] Inventors: **Paul D. Magee**, North Canton; **Dan J. Delaney**, Canton; **Kevin R. Liesner**, Massillon; **Brian S. Wetrich**, Canton; **Tim E. Kerstetter**, Louisville; **John C. Davis**, Akron, all of Ohio

[73] Assignee: **InterBold**, North Canton, Ohio

[\*\*] Term: **14 Years**

[21] Appl. No.: **66,506**

[22] Filed: **Feb. 14, 1997**

[51] **LOC (6) Cl.** ..... **20-01**

[52] **U.S. Cl.** ..... **D99/28**

[58] **Field of Search** ..... **D99/28, 30, 34; 312/215; 235/375, 379, 380; D20/6; D6/432**

[56] **References Cited**

**U.S. PATENT DOCUMENTS**

- D. 238,429 1/1976 Hermann ..... D99/28
- D. 280,512 9/1985 Hall .
- D. 282,305 1/1986 Kusenberg .
- D. 282,937 3/1986 Di Benedetto et al. .... D99/28 X
- D. 283,459 4/1986 Hall .
- D. 289,777 5/1987 Thomas .
- D. 289,778 5/1987 Thomas .
- D. 291,936 9/1987 Long .

- D. 304,198 10/1989 Long .
- D. 308,275 5/1990 Garten et al. .
- D. 319,077 8/1991 Arato et al. .... D20/6
- D. 327,766 7/1992 Swaine et al. .... D99/28
- D. 331,996 12/1992 Fukutake et al. .... D99/28
- D. 332,165 12/1992 Fukutake et al. .... D99/28
- D. 360,734 7/1995 Hall .
- D. 360,735 7/1995 Hall .
- D. 360,739 7/1995 Hall .
- D. 375,607 11/1996 Hall ..... D99/28
- 4,423,316 12/1983 Sano et al. .... D99/28 X
- 4,754,126 6/1988 Caldwell ..... D99/28 X

*Primary Examiner*—Paula A. Mortimer  
*Attorney, Agent, or Firm*—Ralph E. Jocke

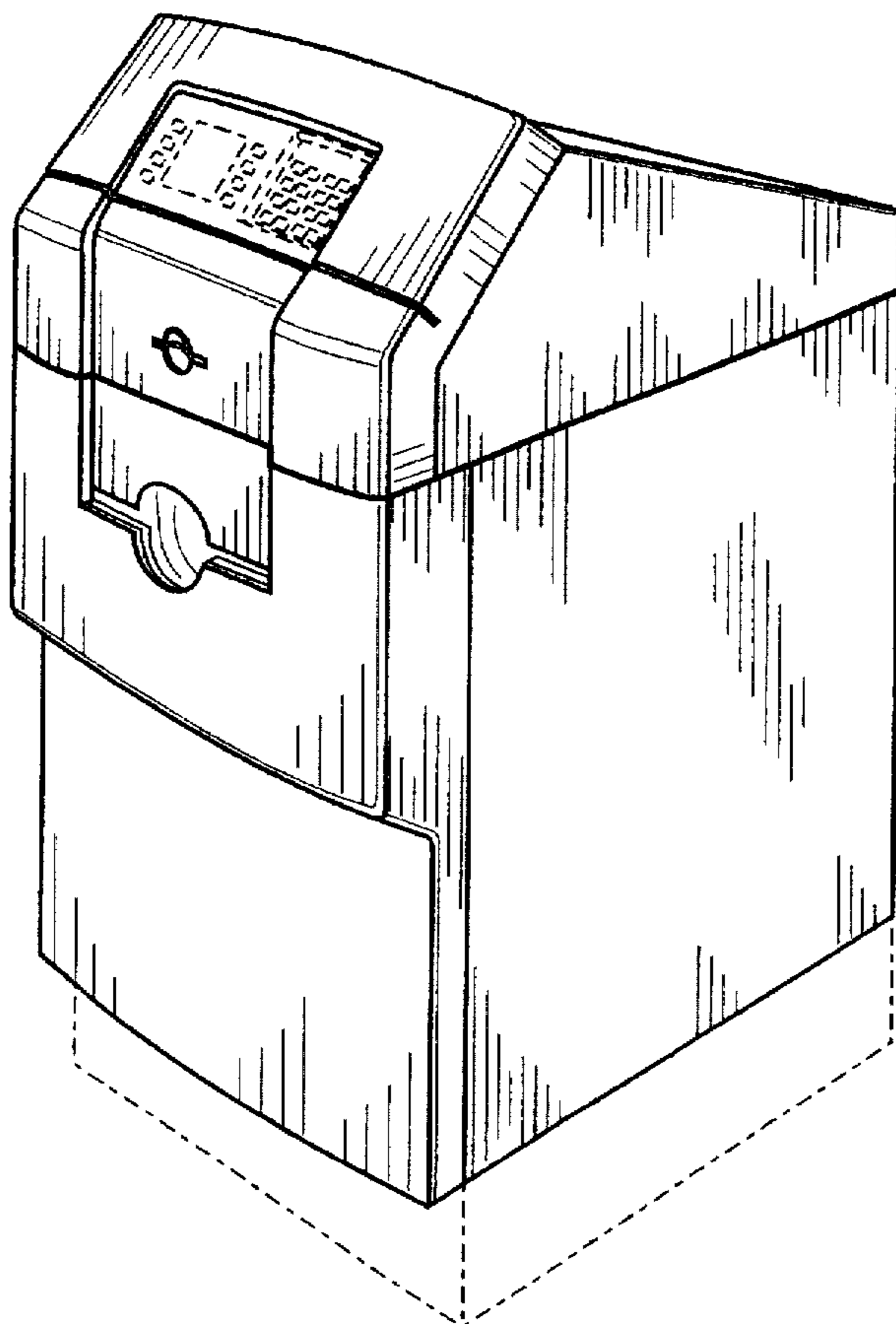
[57] **CLAIM**

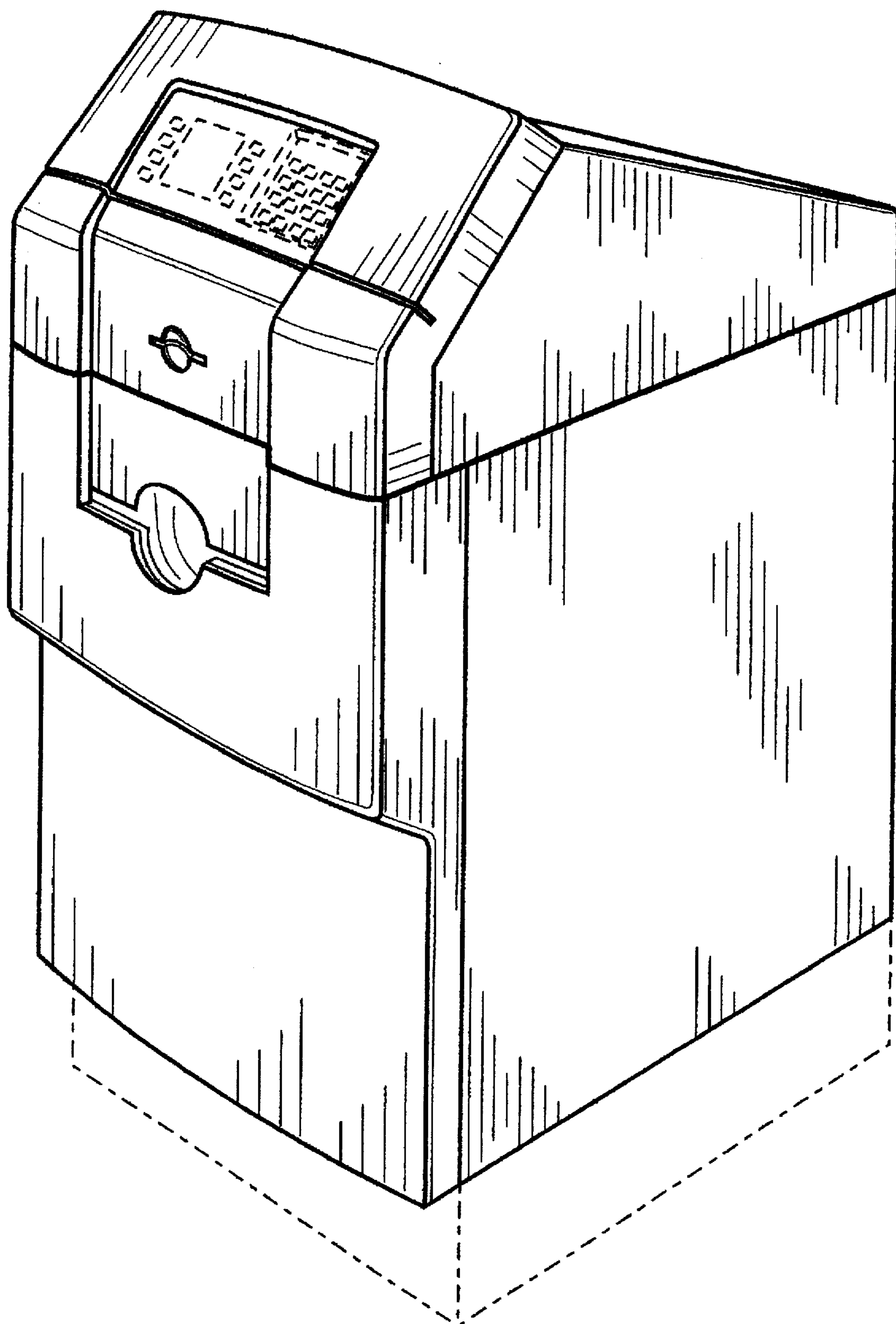
The ornamental design for an automated banking machine, as shown and described.

**DESCRIPTION**

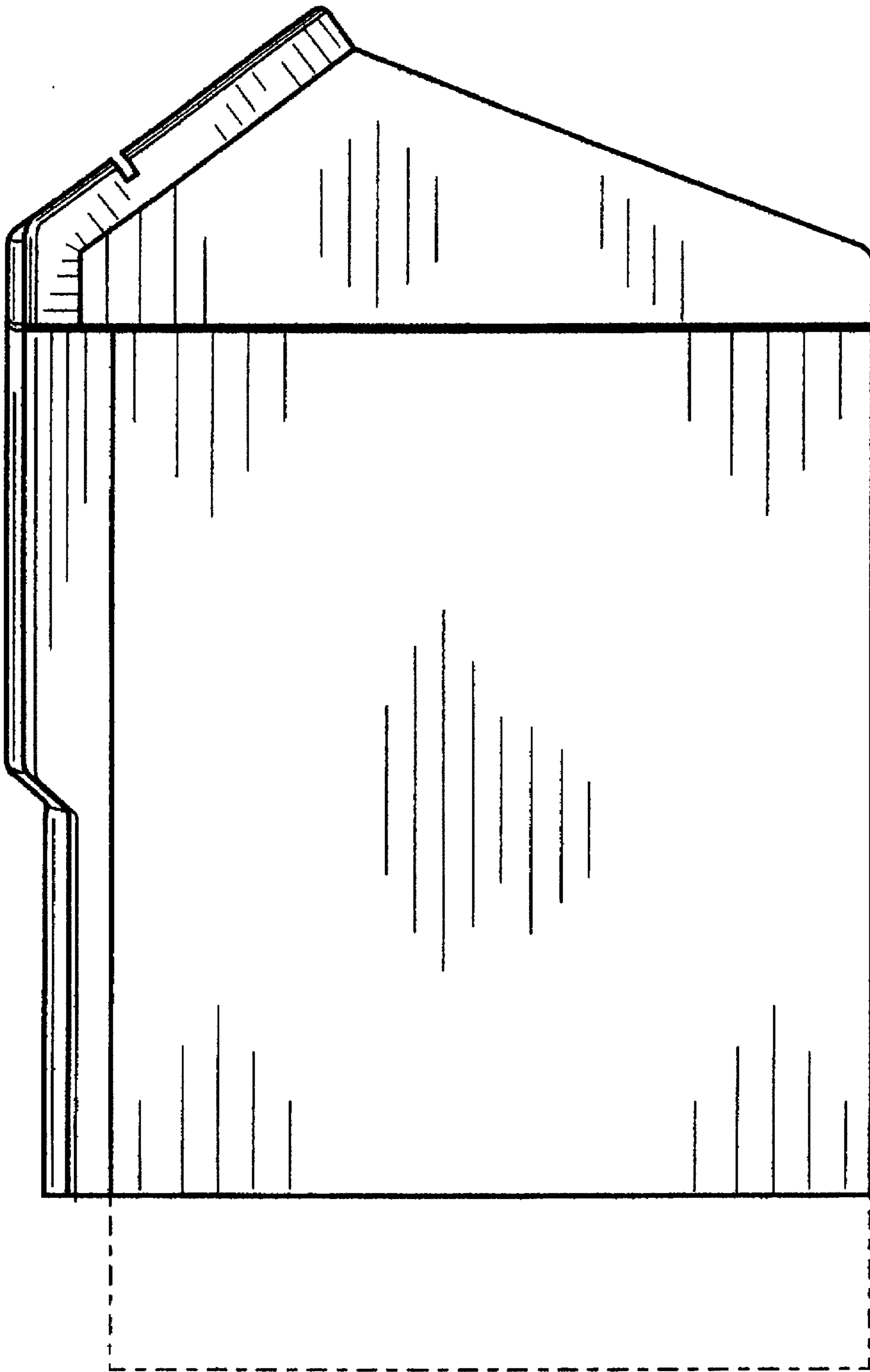
FIG. 1 is a right front perspective view of an automated banking machine showing our new design, the left perspective view being a mirror image, the broken line showing of the mounting pedestal, screen and buttons is for illustrative purposes only and forms no part of the claimed design; FIG. 2 is a right side elevational view, the left side is a mirror image; and, FIG. 3 is a top plan view thereof, the bottom plan view is a mirror image.

**1 Claim, 3 Drawing Sheets**

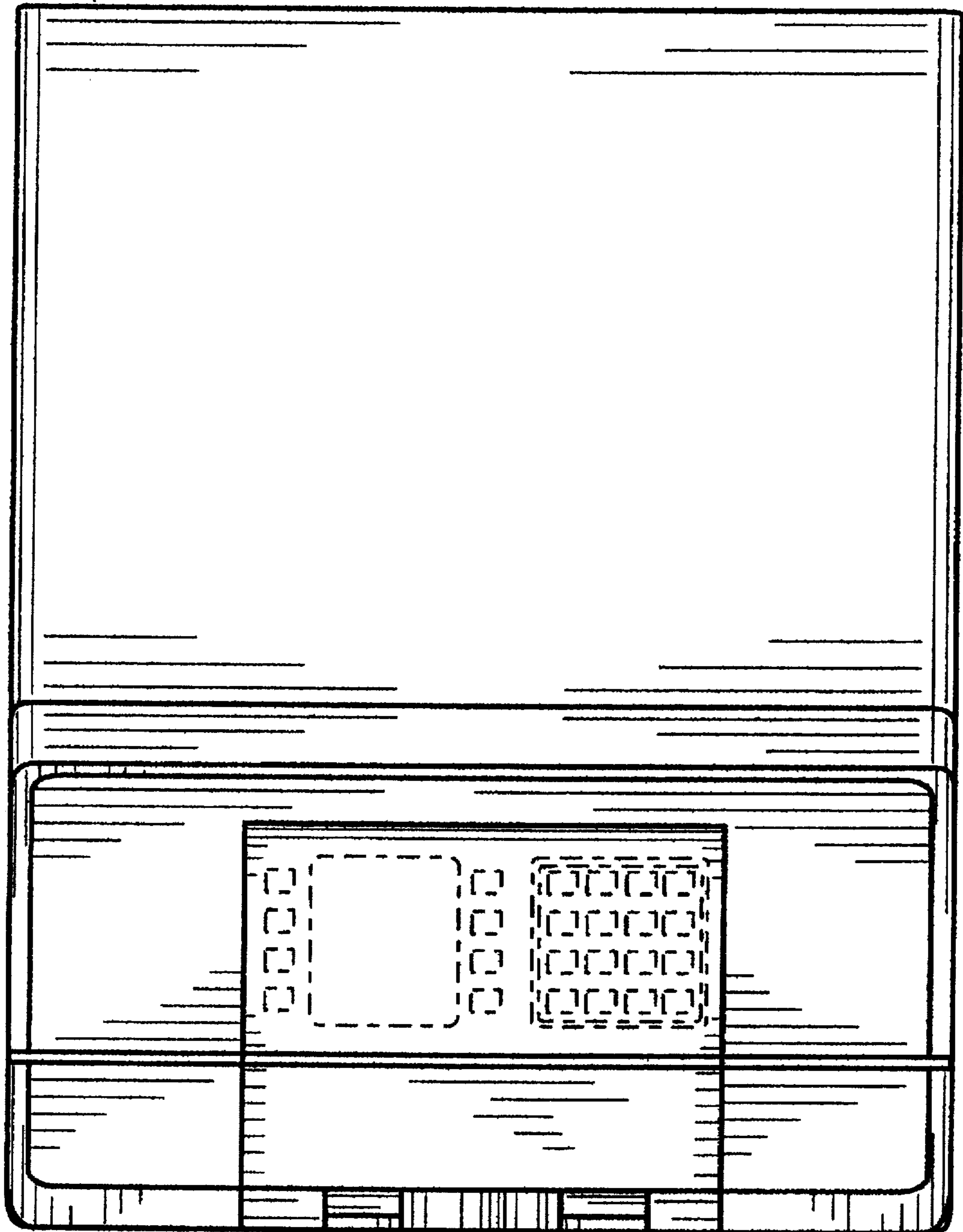




**FIG. 1**



**FIG. 2**



**FIG. 3**