



US00D388230S

United States Patent [19] Quinn

[11] Patent Number: Des. 388,230

[45] Date of Patent: **Dec. 23, 1997

[54] **OUTDOOR INFORMATION KIOSK**

[75] Inventor: **Bruce A. Quinn**, Beavercreek, Ohio

[73] Assignee: **NCR Corporation**, Dayton, Ohio

[**] Term: **14 Years**

[21] Appl. No.: **62,126**

[22] Filed: **Nov. 7, 1996**

[51] **LOC (6) Cl.** **99-00**

[52] **U.S. Cl.** **D99/28; D20/10**

[58] **Field of Search** **D20/10, 41, 19;**
D99/28; D14/103, 130; 40/584, 585; 361/724,
728

[56] **References Cited**

U.S. PATENT DOCUMENTS

- D. 209,508 12/1967 Macker D14/103
- D. 293,152 12/1987 Prinzhorn D99/28
- D. 317,071 5/1991 McFadden et al. D99/28

Primary Examiner—Susan J. Lucas
Assistant Examiner—Jennifer Regester
Attorney, Agent, or Firm—James M. Stover

[57] **CLAIM**

The ornamental design for an outdoor information kiosk, as shown and described.

DESCRIPTION

FIG. 1 is a front elevational view of an outdoor information kiosk showing my new design for said outdoor information kiosk;

FIG. 2 is a rear elevational view thereof;

FIG. 3 is a left side elevational view thereof;

FIG. 4 is a right side elevational view thereof;

FIG. 5 is a top view thereof; and,

FIG. 6 is a left front perspective view thereof.

The broken lines are shown for illustrative purposes only and form no part of the claimed design.

1 Claim, 5 Drawing Sheets

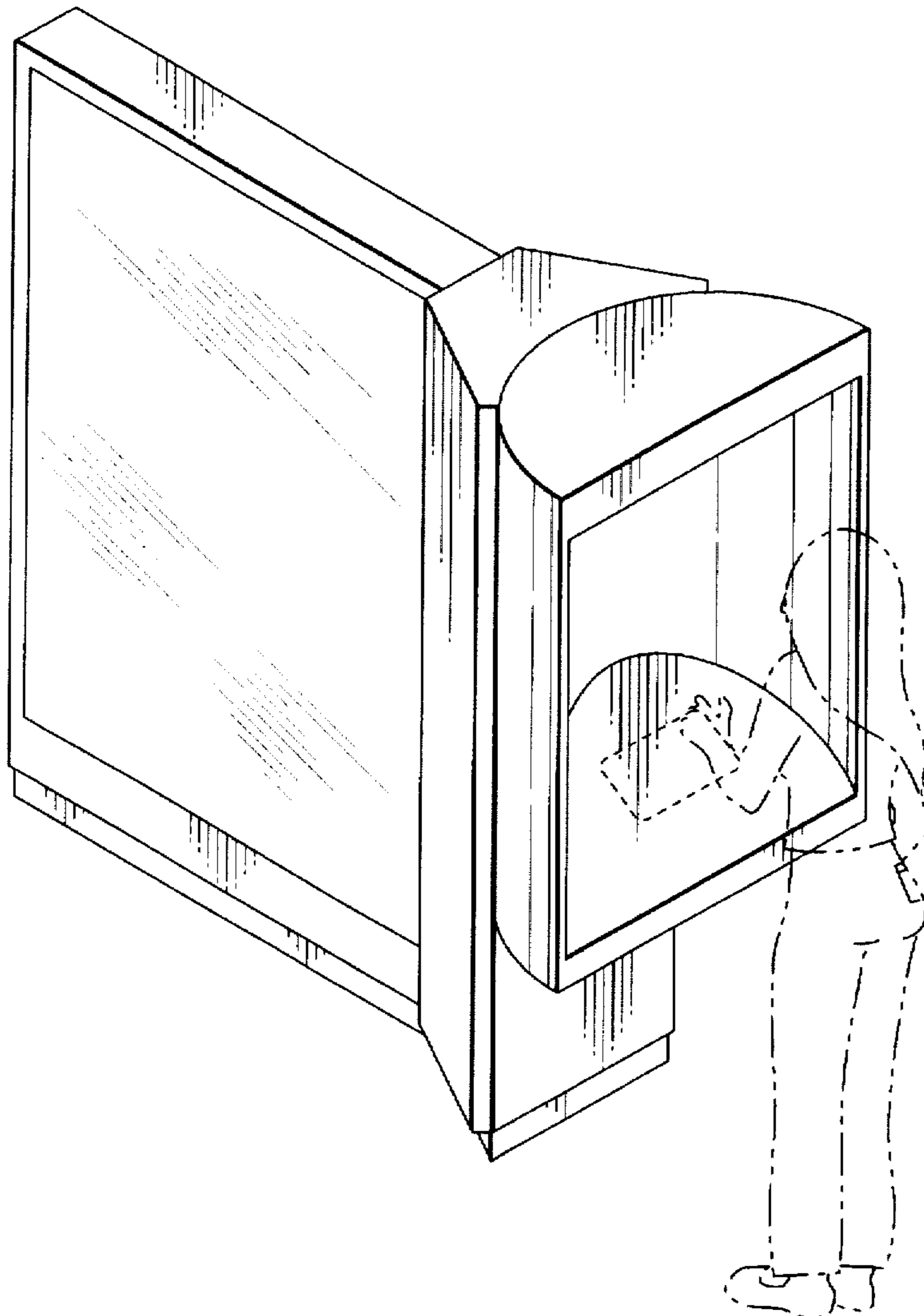


FIG. 1

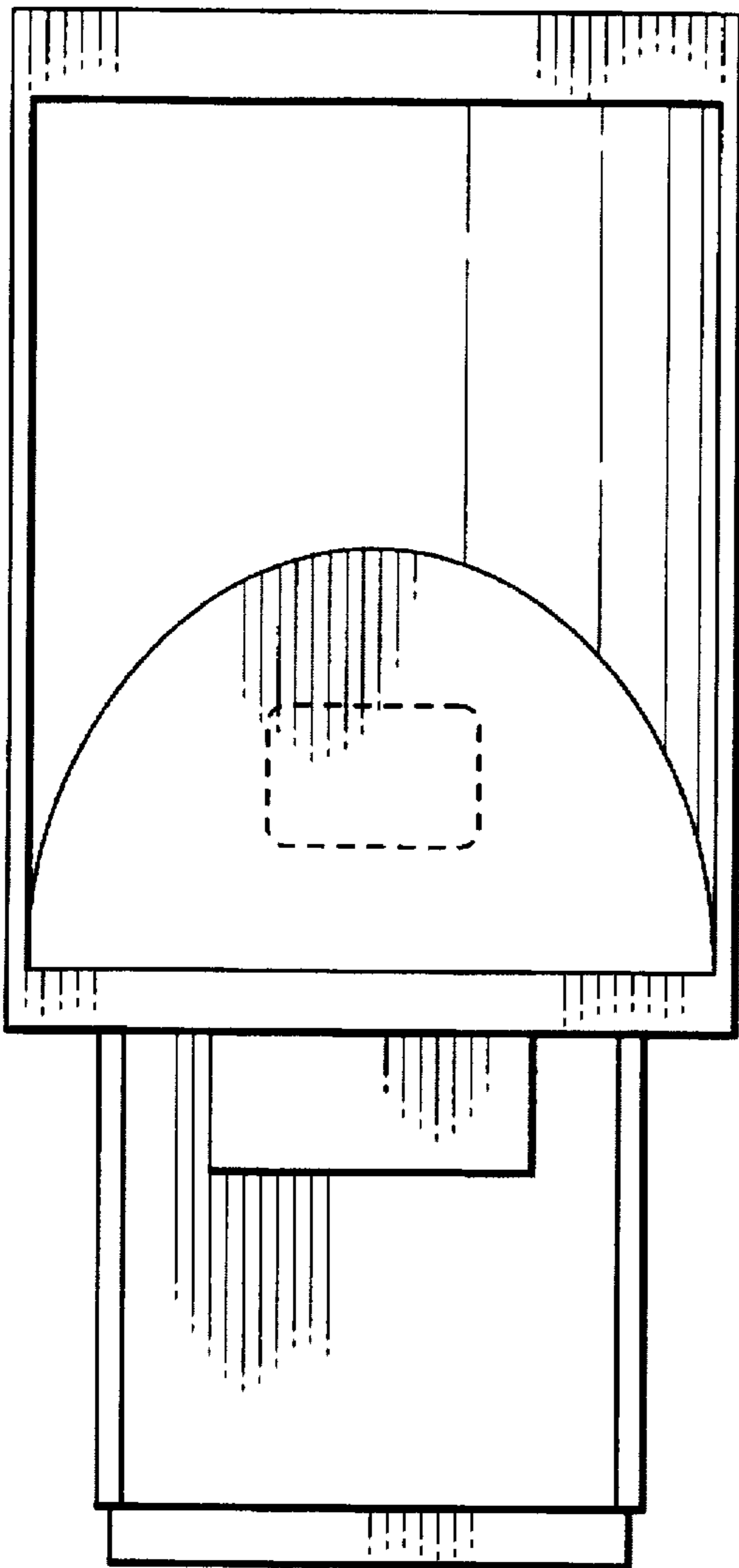
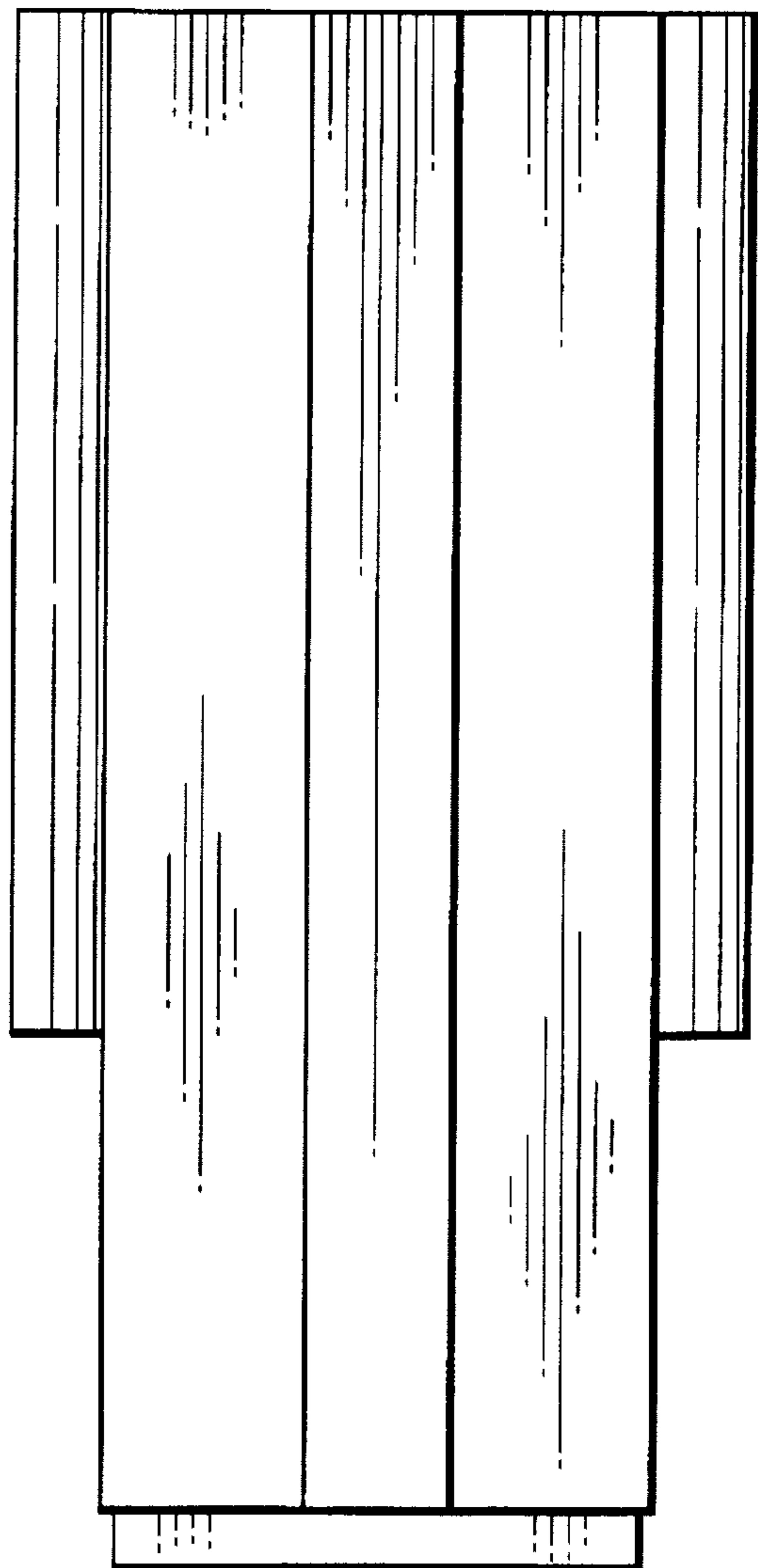


FIG. 2



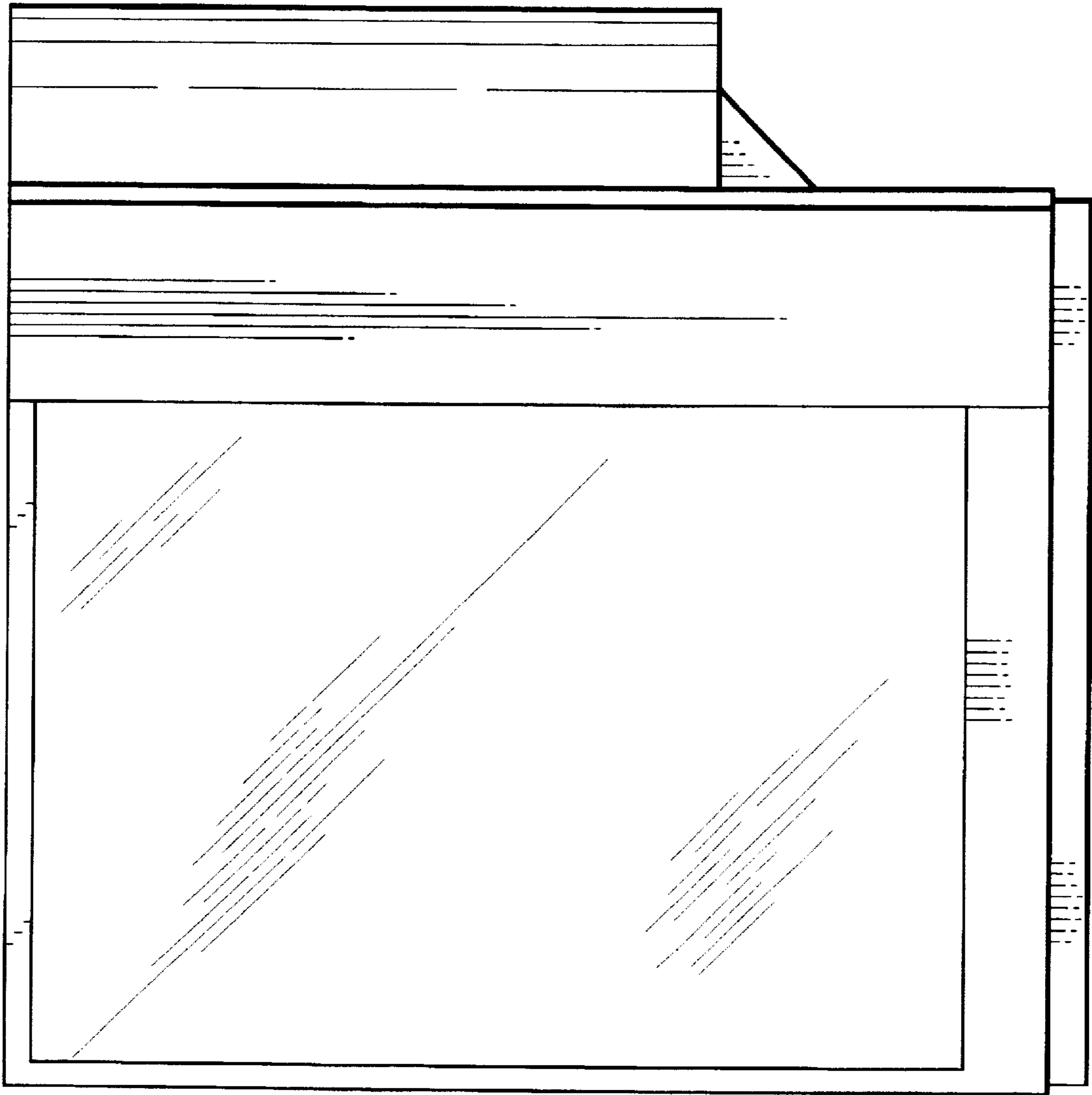


FIG. 3

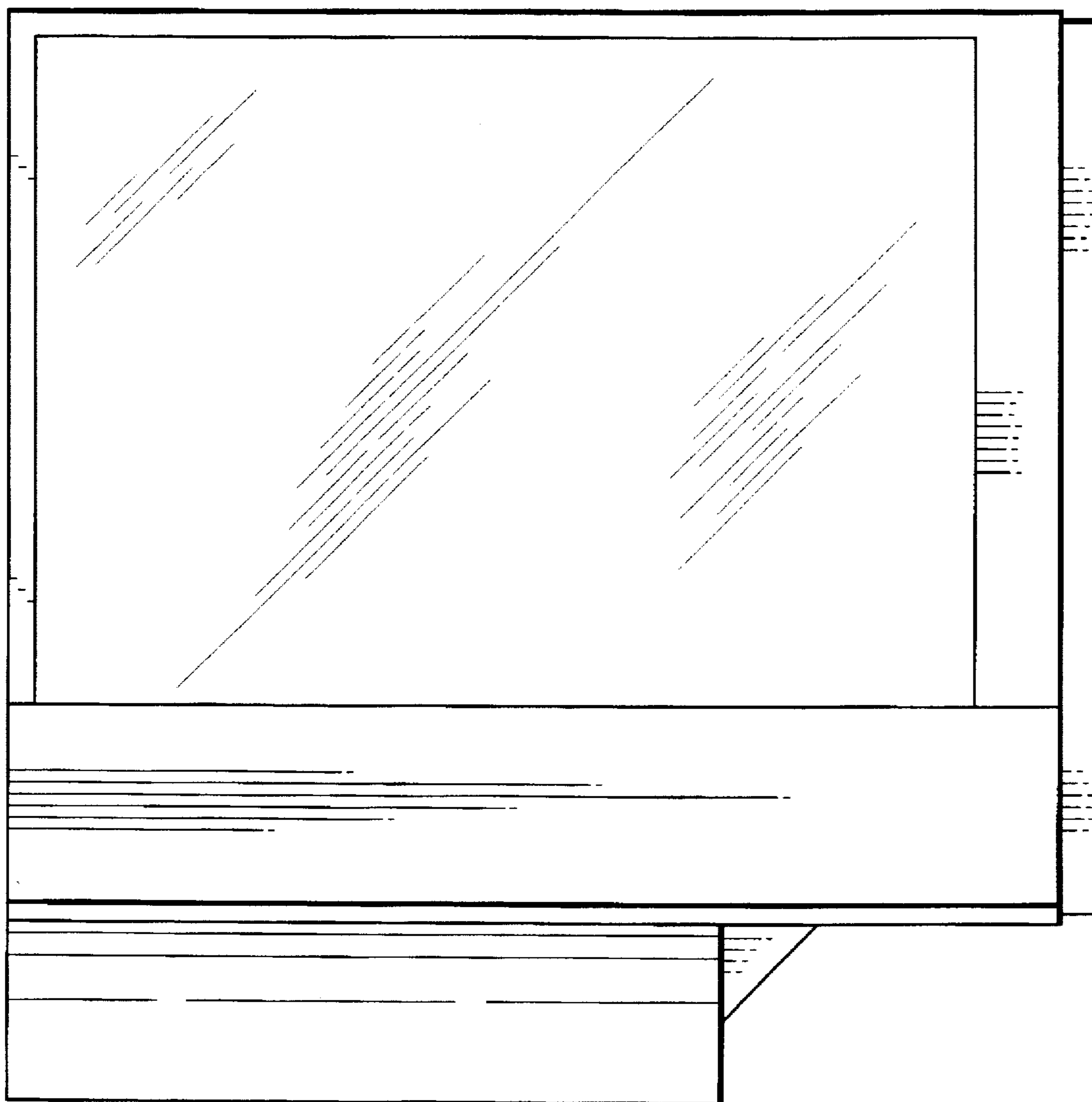


FIG. 4

FIG. 5

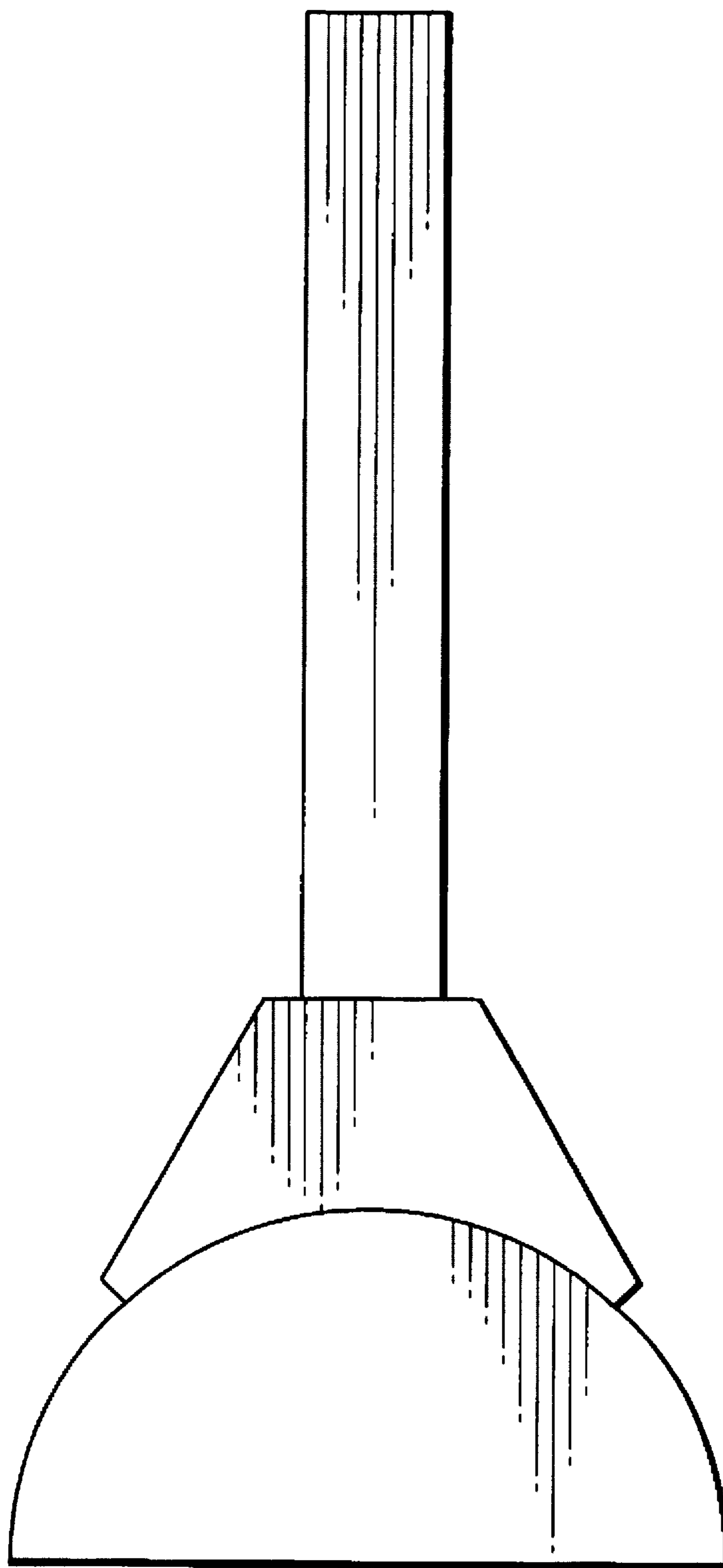


FIG. 6

