



US00D388225S

United States Patent [19]
Saaf et al.

[11] **Patent Number: Des. 388,225**
[45] **Date of Patent: **Dec. 23, 1997**

[54] **BURIAL CASKET LID**
[75] **Inventors: Patrick Michael Saaf, Batesville; Scott Alan Schultz, Richmond, both of Ind.**
[73] **Assignee: Batesville Casket Company, Inc., Batesville, Ind.**
[**] **Term: 14 Years**

43076	11/1933	France	27/2
756552	11/1933	France	27/2
790070	11/1935	France	52/103
854028	4/1940	France	52/103
1167229	7/1958	France	27/2
1168764	9/1958	France	27/2
2644695	9/1990	France	27/2
847644	8/1952	Germany	27/2
6156	4/1875	Italy	27/6

[21] **Appl. No.: 49,998**
[22] **Filed: Feb. 6, 1996**
[51] **LOC (6) Cl. 99-00**
[52] **U.S. Cl. D99/12**
[58] **Field of Search D99/1-27; 52/103; 27/1-3, 5-7, 10, 13, 14, 19, 35**

OTHER PUBLICATIONS

"Casket and Sunnyside" p. 19, (unnumbered) Advertisement for the Clarksburg Casket Company, item #3E268, Nov. 1970.
Sep. 1995 Woodworker's Supply, Inc. Catalog pp. 1 and 148 Item: Magnetic Touch Latch.

Primary Examiner—Doris V. Coles
Attorney, Agent, or Firm—Wood, Herron & Evans, L.L.P.

[56] **References Cited**

U.S. PATENT DOCUMENTS

D. 14,527	12/1883	Reynolds	D99/3
D. 19,506	12/1889	Kagelmacher	D99/3
D. 77,084	12/1928	Fox	D99/23
D. 84,768	7/1931	Thompson	D99/22
D. 88,953	1/1933	Fumarol	D99/23
D. 142,060	8/1945	Butler	D99/1
D. 152,902	3/1949	Pirozzoli	D99/20
D. 221,647	8/1971	Conley	D99/20
D. 333,372	2/1993	Feeney	D99/1
430,395	6/1890	McCarthy	
2,246,122	6/1941	Brennan	428/3
2,468,651	4/1949	Blume	428/3
2,528,913	11/1950	Robinson	D99/27
2,676,383	4/1954	Lipman	27/16
2,712,191	7/1955	Hillenbrand	
2,769,266	11/1956	Feeley	478/3
2,974,389	3/1961	Tatum	
3,024,901	3/1962	Ceralo	428/3
3,025,624	3/1962	Harrell	27/1
3,115,434	12/1963	Hahn	27/1
3,411,191	11/1968	Ikert et al.	27/6

FOREIGN PATENT DOCUMENTS

441648	5/1912	France	27/6
719231	11/1931	France	52/103
744392	1/1933	France	27/2

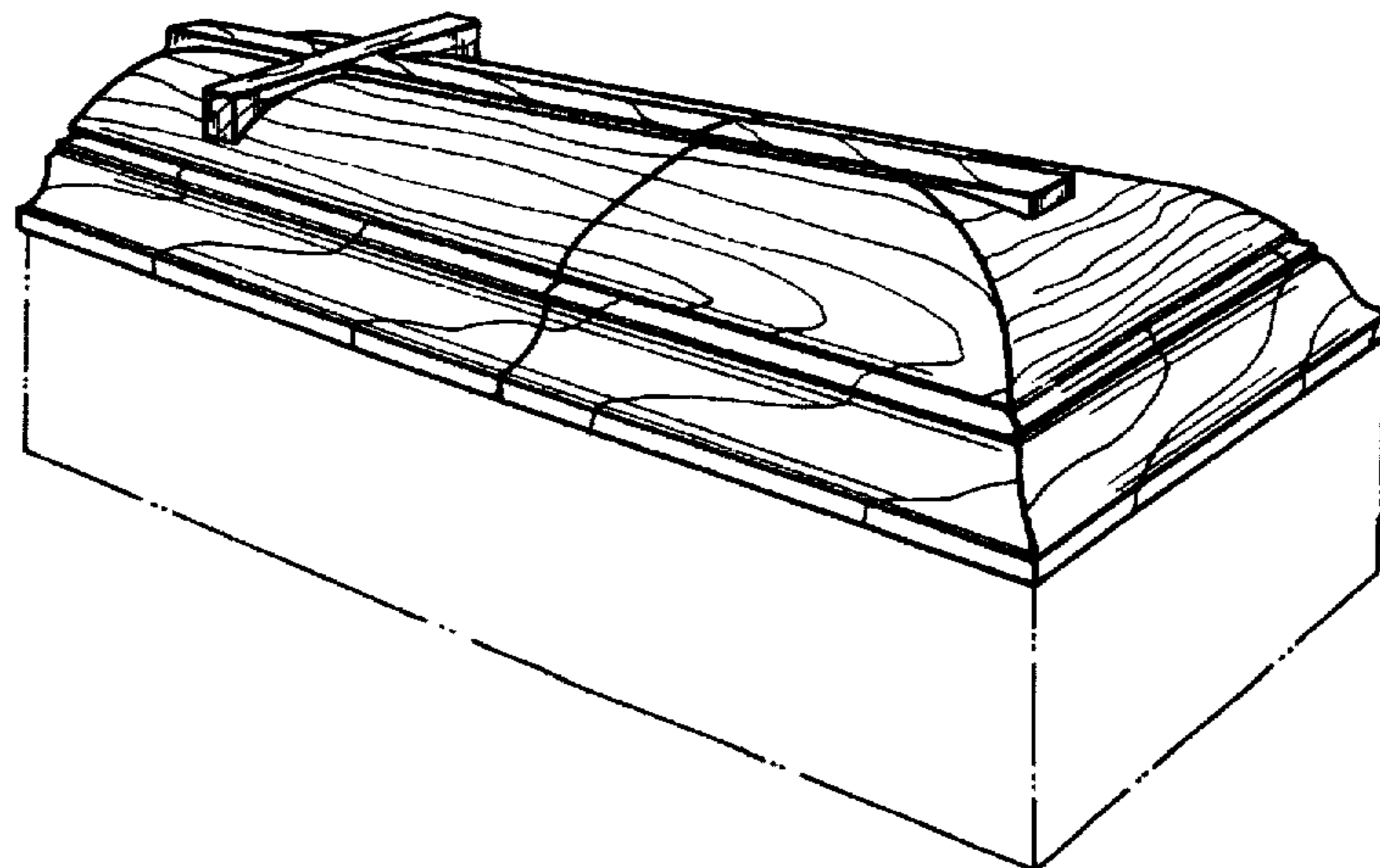
[57] **CLAIM**

The ornamental design for a burial casket lid, as shown and described.

DESCRIPTION

FIG. 1 is a perspective view of a burial casket lid, showing our new design;
FIG. 2 is a front elevational view thereof, the rear elevational view being a mirror image thereof;
FIG. 3 is a top plan view thereof;
FIG. 4 is a right side elevational view thereof, the left side elevational view being a mirror image thereof; and
FIG. 5 is a bottom plan view thereof;
FIG. 6 is a second embodiment of a burial casket lid;
FIG. 7 is a front view thereof, the rear elevational view being a mirror image thereof;
FIG. 8 is a top plan view thereof;
FIG. 9 is a right side elevational view thereof, the left side elevational view being a mirror image thereof; and
FIG. 10 is a bottom plan view thereof.
The broken line showing of environment in FIGS. 1, 2, 4, and 6 through 10 is for illustrative purposes only and forms no part of the claimed design.

1 Claim, 2 Drawing Sheets



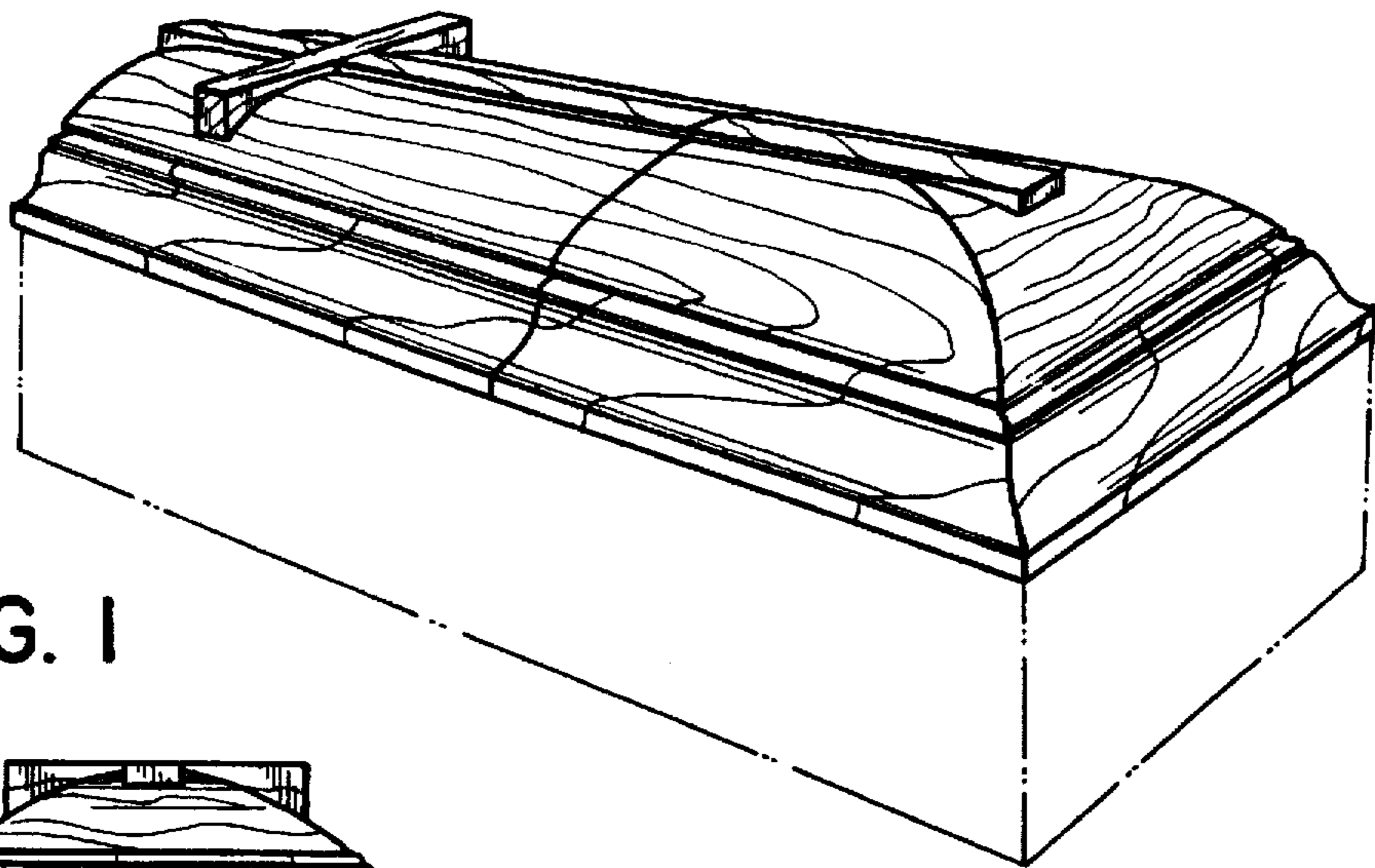


FIG. 1

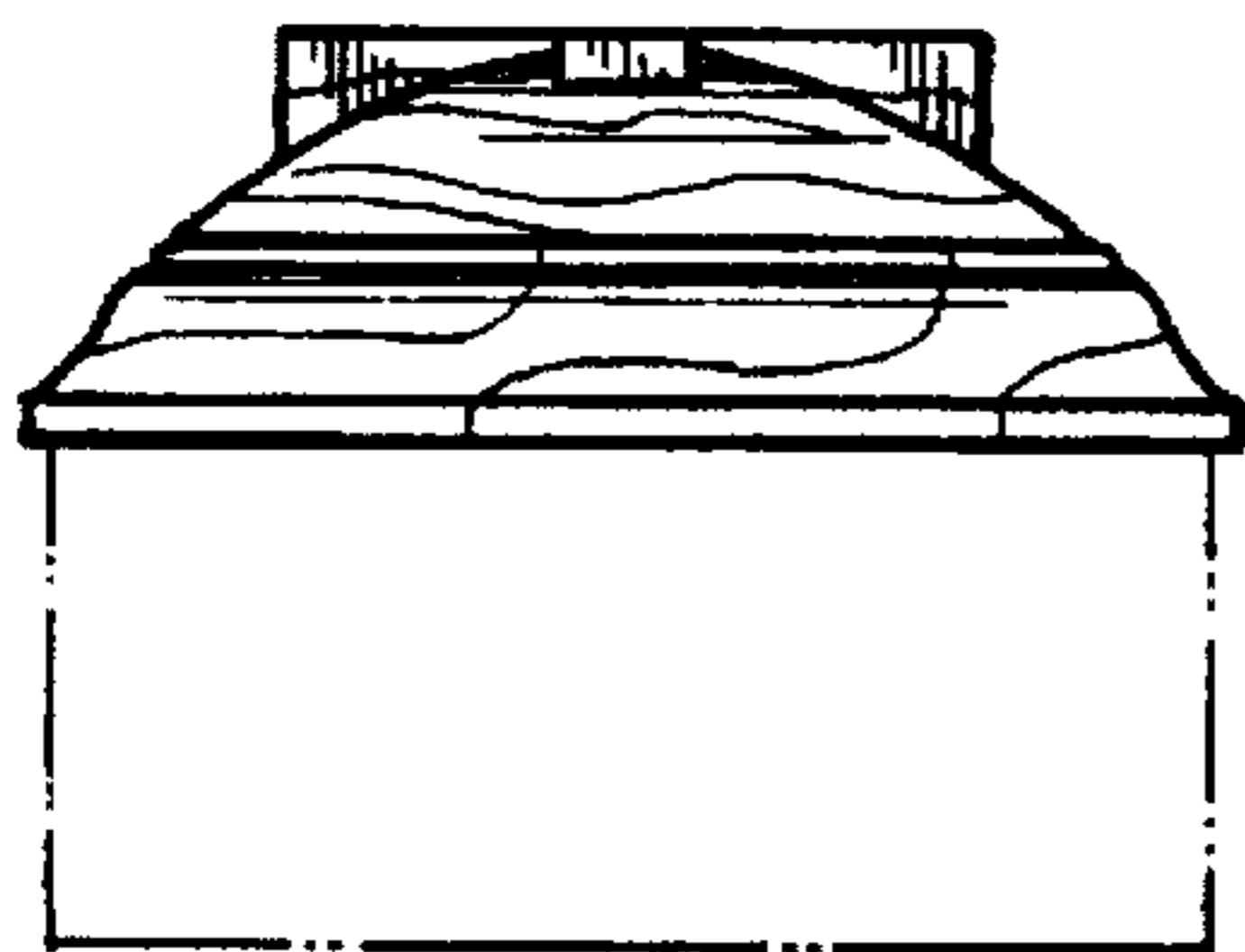


FIG. 4

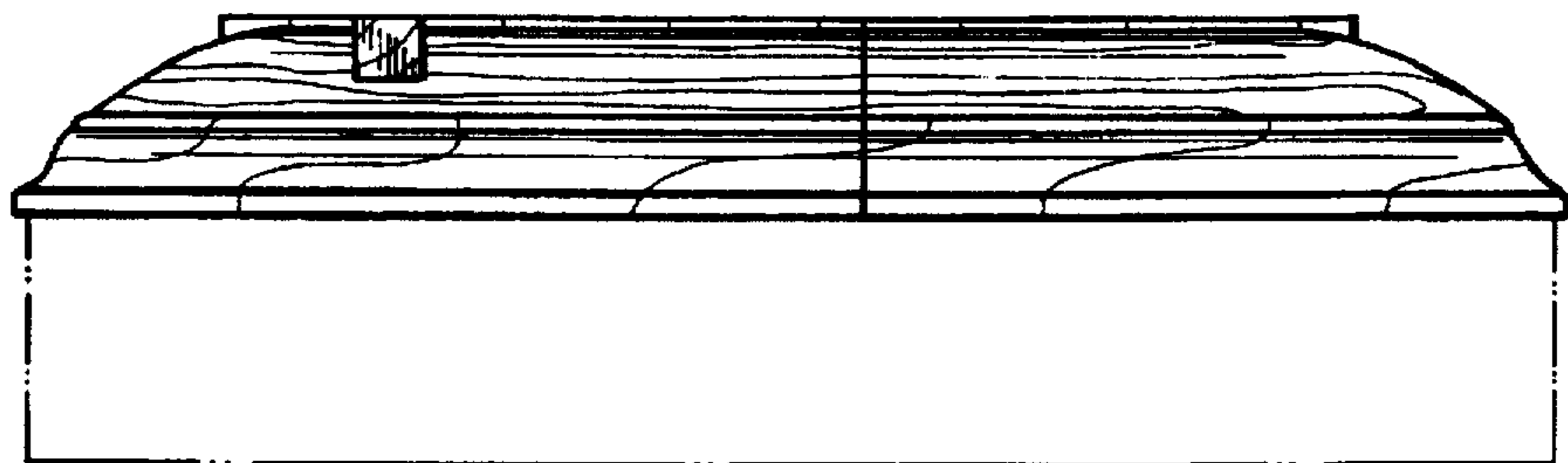


FIG. 2

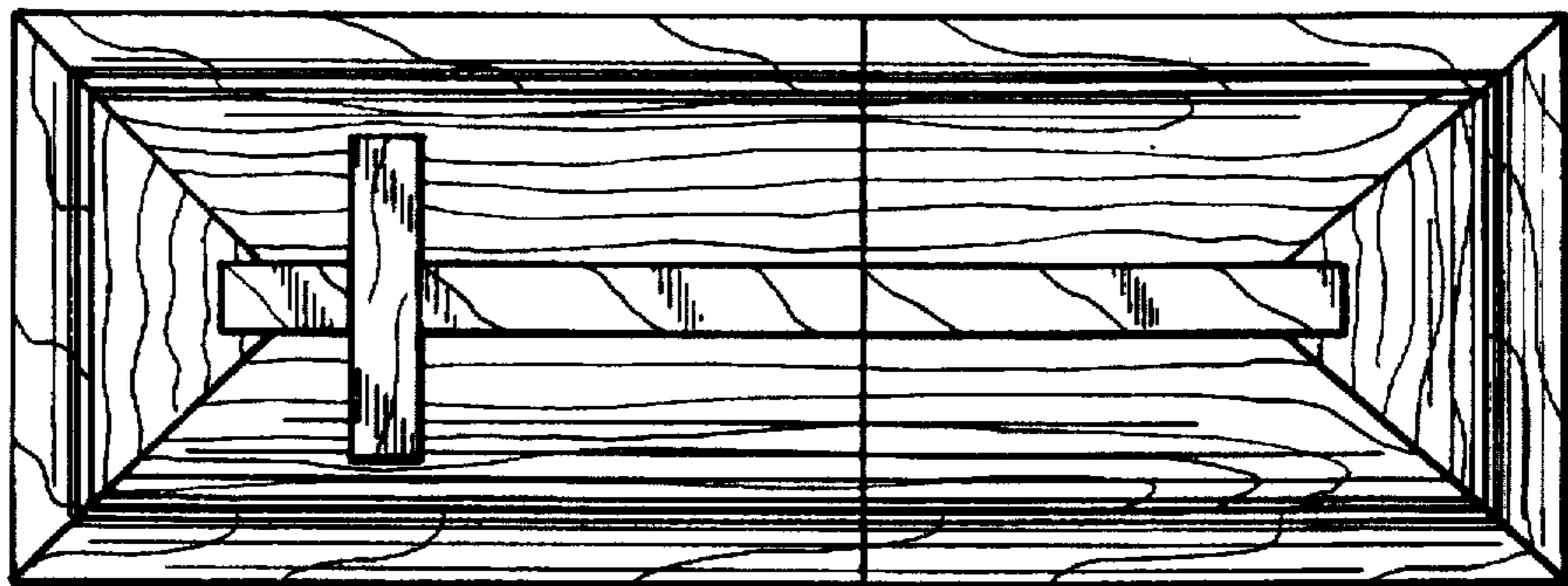


FIG. 3



FIG. 5

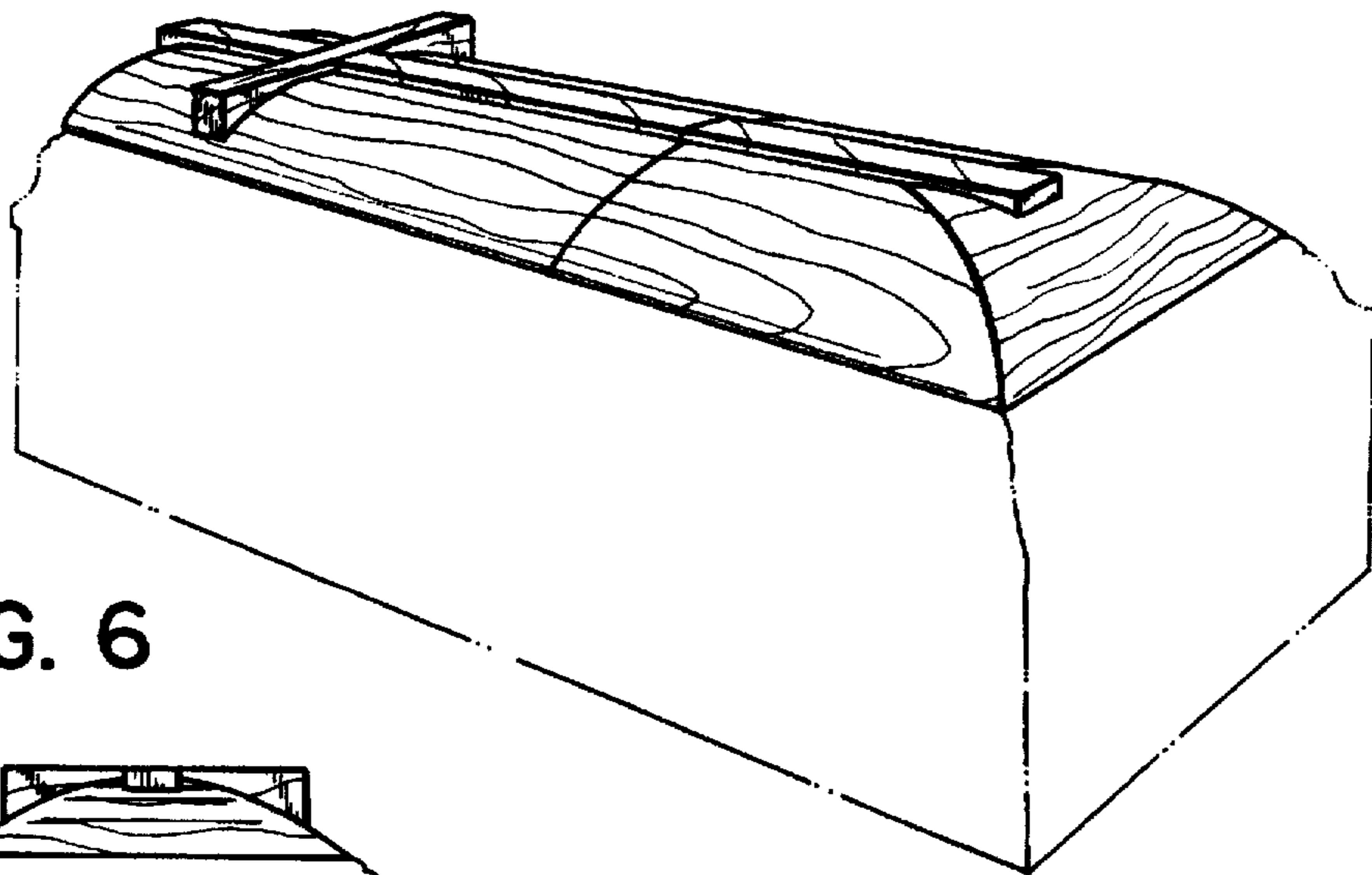


FIG. 6

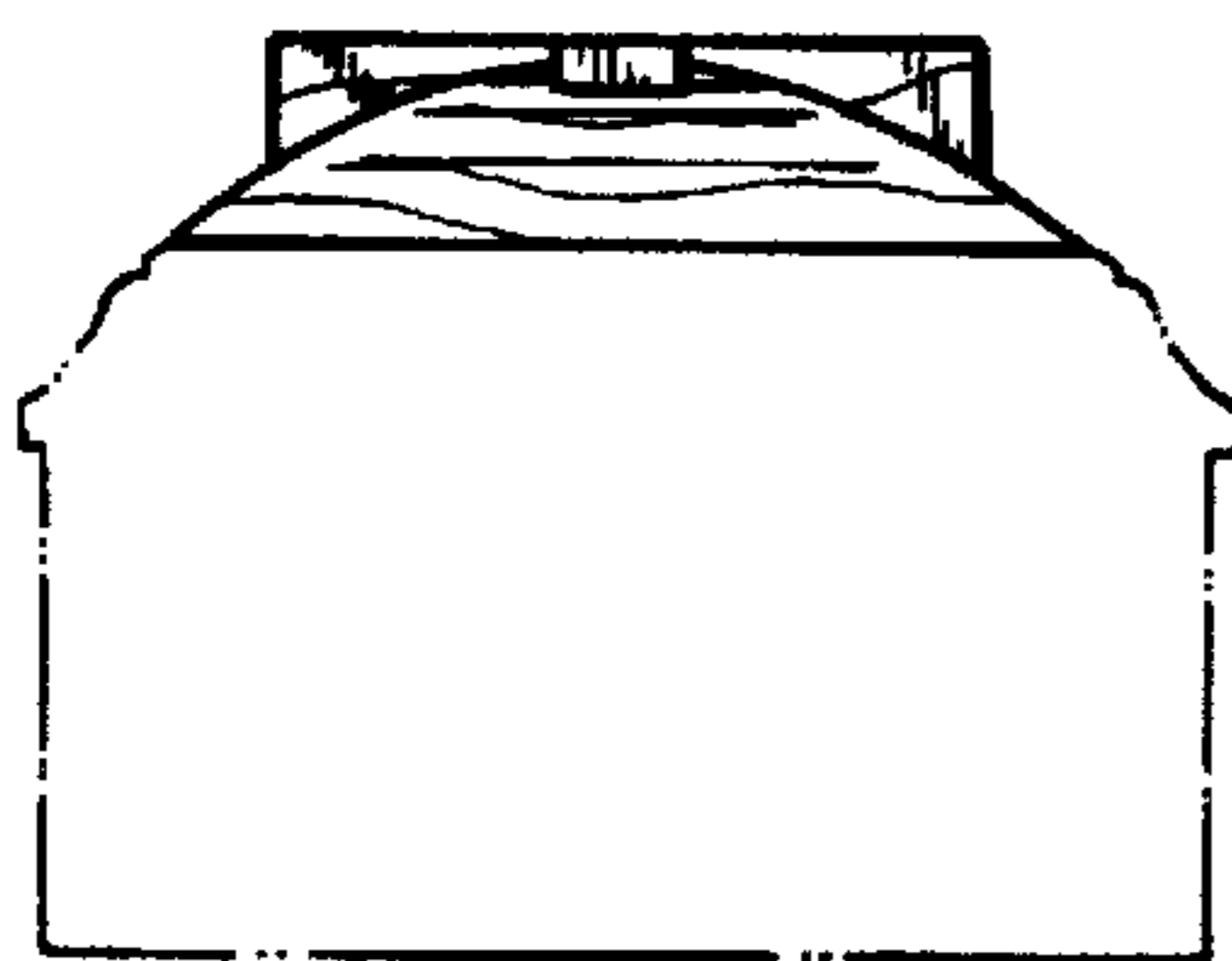


FIG. 9

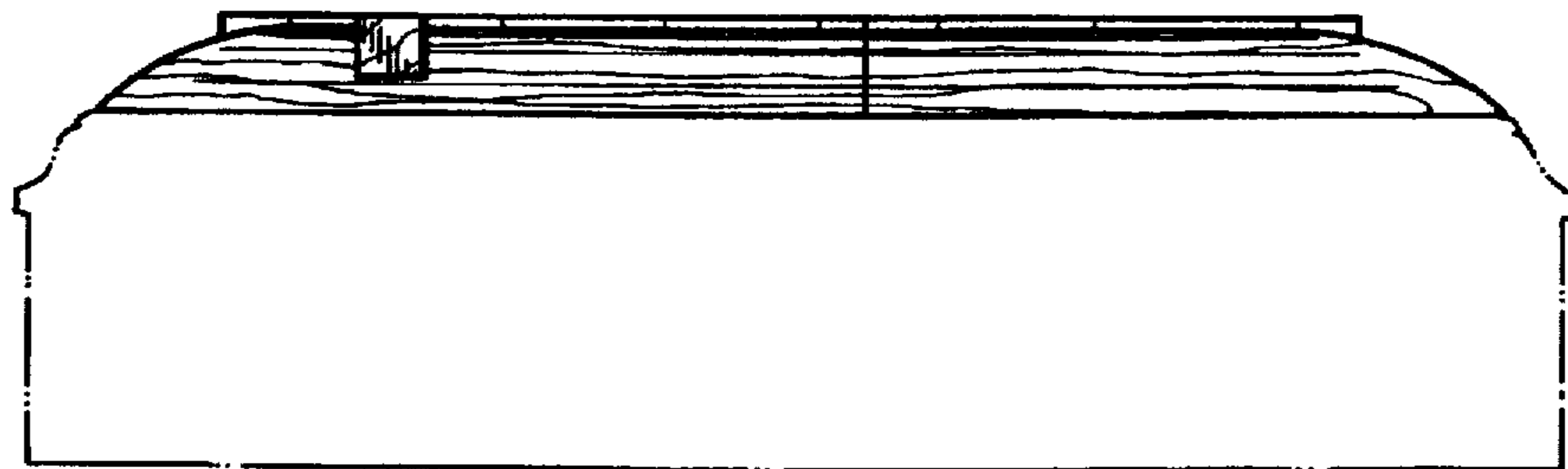


FIG. 7

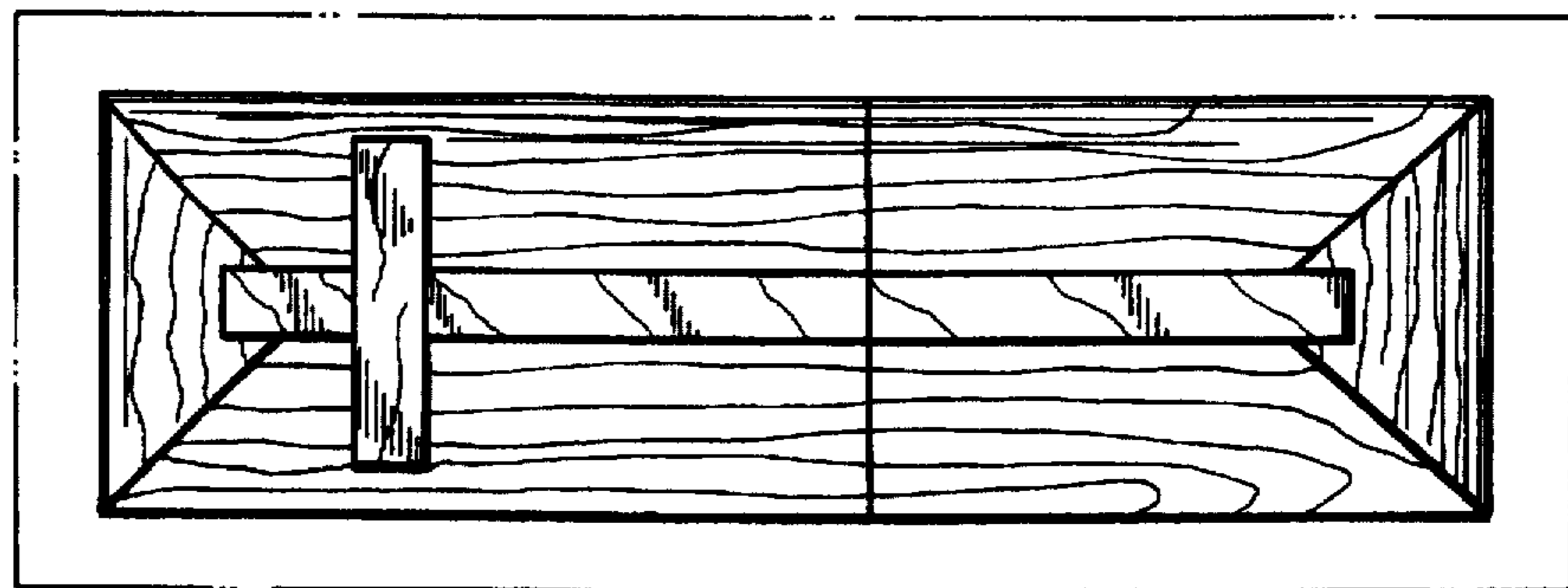


FIG. 8

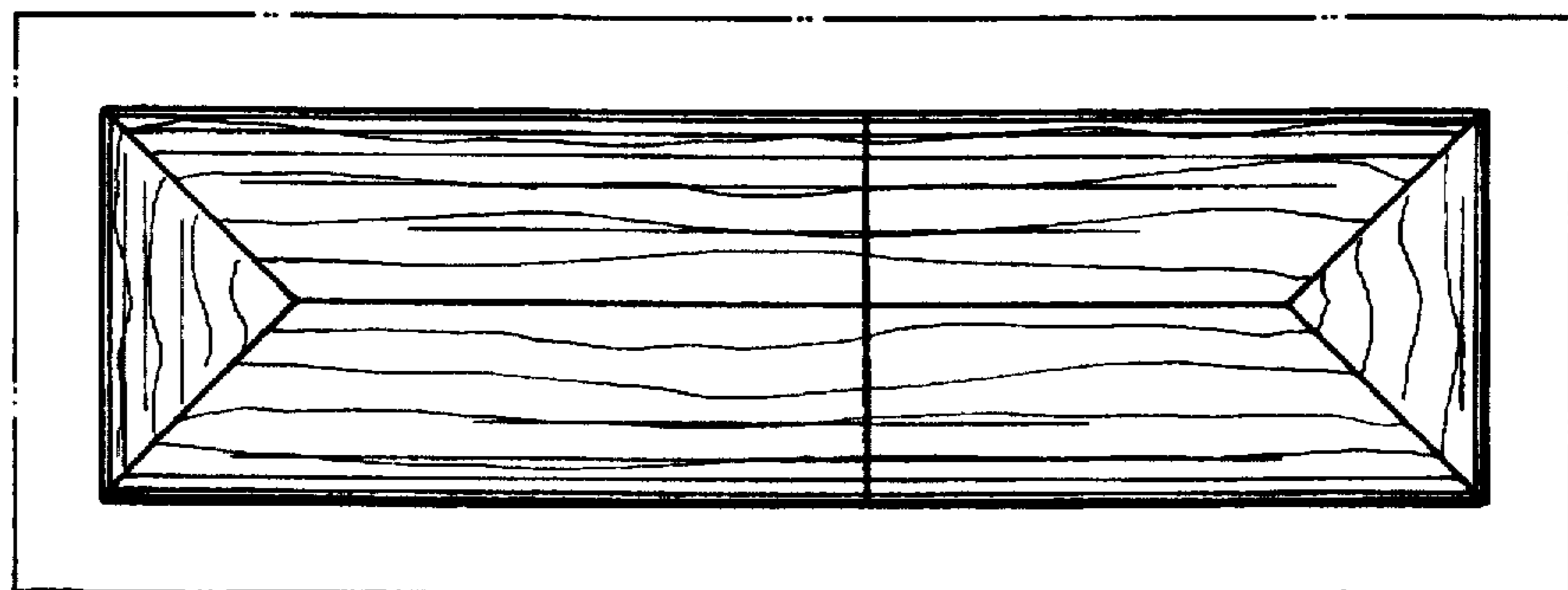


FIG. 10