



US00D388224S

United States Patent [19] Barry

[11] Patent Number: Des. 388,224

[45] Date of Patent: **Dec. 23, 1997

[54] TAPERED HEXAGONAL STEM FOR LAMP

[75] Inventor: **Barbara Barry**, Los Angeles, Calif.

[73] Assignee: **Boyd Lighting Company**, San Francisco, Calif.

[**] Term: **14 Years**

[21] Appl. No.: **54,567**

[22] Filed: **May 15, 1996**

[51] LOC (6) CL **26-05**

[52] U.S. Cl. **D26/153; D6/495; D21/129; D26/112**

[58] Field of Search D26/93, 102-112; 256/1, DIG. 5; 362/410-414, 431; D8/1; D6/495; D21/255; D25/126, 129; D30/154; 248/158, 159; 52/720.2, 720.1, 726.1, 729.4

[56] References Cited

U.S. PATENT DOCUMENTS

- D. 22,997 1/1894 Welker D6/495
- D. 62,237 4/1923 Kleinfield D26/106
- 1,474,735 11/1923 Sanders 248/159 X
- 1,781,203 11/1930 Teleki 248/159 X

FOREIGN PATENT DOCUMENTS

911012 11/1962 United Kingdom 108/156

OTHER PUBLICATIONS

Better Design, p. 24, Kurt Versen floor lamp, bottom, right, Jun. 1952.

Exposures catalog, p. 6, table lamp D, Jan. 1991.

Primary Examiner—Susan J. Lucas

Attorney, Agent, or Firm—Jack Lo

[57] CLAIM

The ornamental design for a tapered hexagonal stem for lamp, as shown and described.

DESCRIPTION

FIG. 1 is a front perspective view of a tapered hexagonal stem for lamp showing my new design;

FIG. 2 is a front view thereof; the rear view being a mirror image;

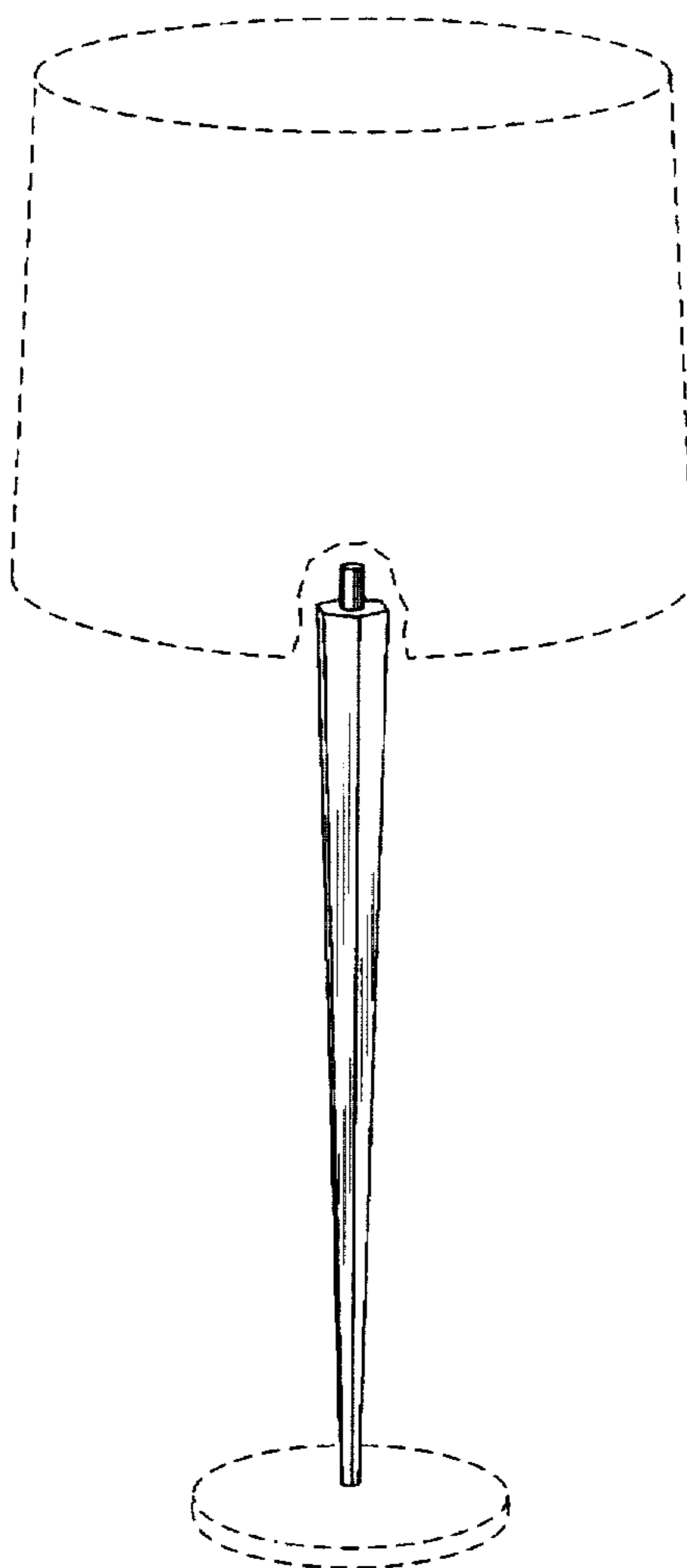
FIG. 3 is a right side view thereof; the left side view being a mirror image;

FIG. 4 is a top view thereof; and,

FIG. 5 is a bottom view thereof.

The shade and base are shown in broken lines for illustrative purposes only and form no part of the claimed design.

1 Claim, 2 Drawing Sheets



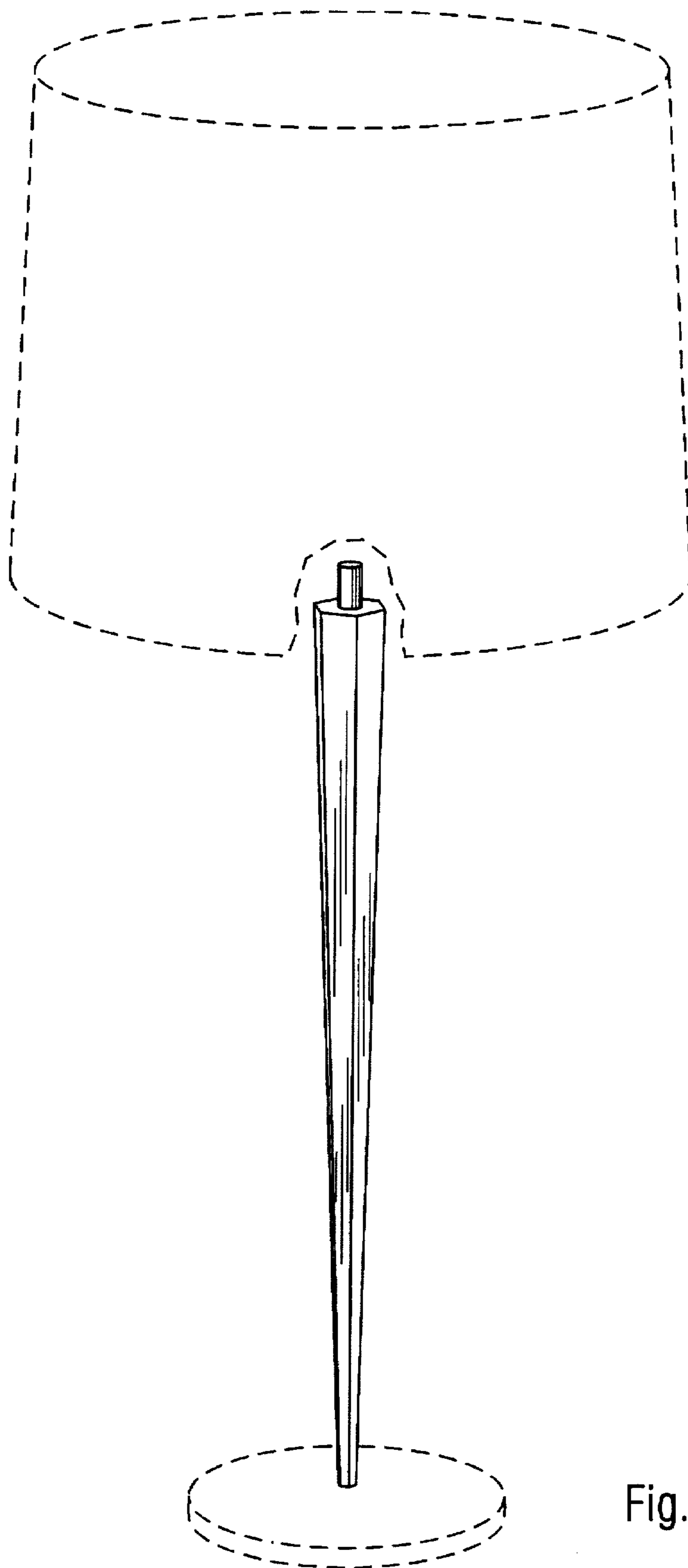


Fig. 1

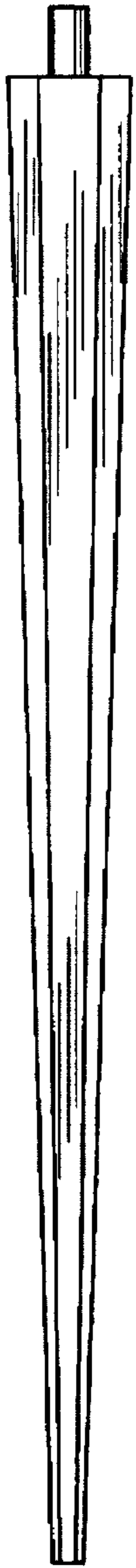


Fig. 2



Fig. 3



Fig. 4



Fig. 5