



US00D388222S

United States Patent [19]
Barry

[11] **Patent Number:** **Des. 388,222**
[45] **Date of Patent:** ****Dec. 23, 1997**

[54] **LAMP WITH TAPERED HEXAGONAL STEM**

Spiegel Catalog, p. 512, Floor lamp #21, 1980.

[75] **Inventor:** **Barbara Barry**, Los Angeles, Calif.

Primary Examiner—Susan J. Lucas
Attorney, Agent, or Firm—Jack Lo

[73] **Assignee:** **Boyd Lighting Company**, San Francisco, Calif.

[**] **Term:** **14 Years**

[57] **CLAIM**

[21] **Appl. No.:** **54,574**

The ornamental design for a lamp with tapered hexagonal stem, as shown and described.

[22] **Filed:** **May 15, 1996**

DESCRIPTION

[51] **LOC (6) Cl.** **26-05**

[52] **U.S. Cl.** **D26/112**

[58] **Field of Search** D26/93, 102-112;
362/410-414

FIG. 1 is a front perspective view of a lamp with tapered hexagonal stem showing my new design;

FIG. 2 is a front view thereof; the rear view being a mirror image;

FIG. 3 is a right side view thereof; the left side view being a mirror image;

FIG. 4 is a top view thereof; and,

FIG. 5 is a bottom view thereof.

[56] **References Cited**

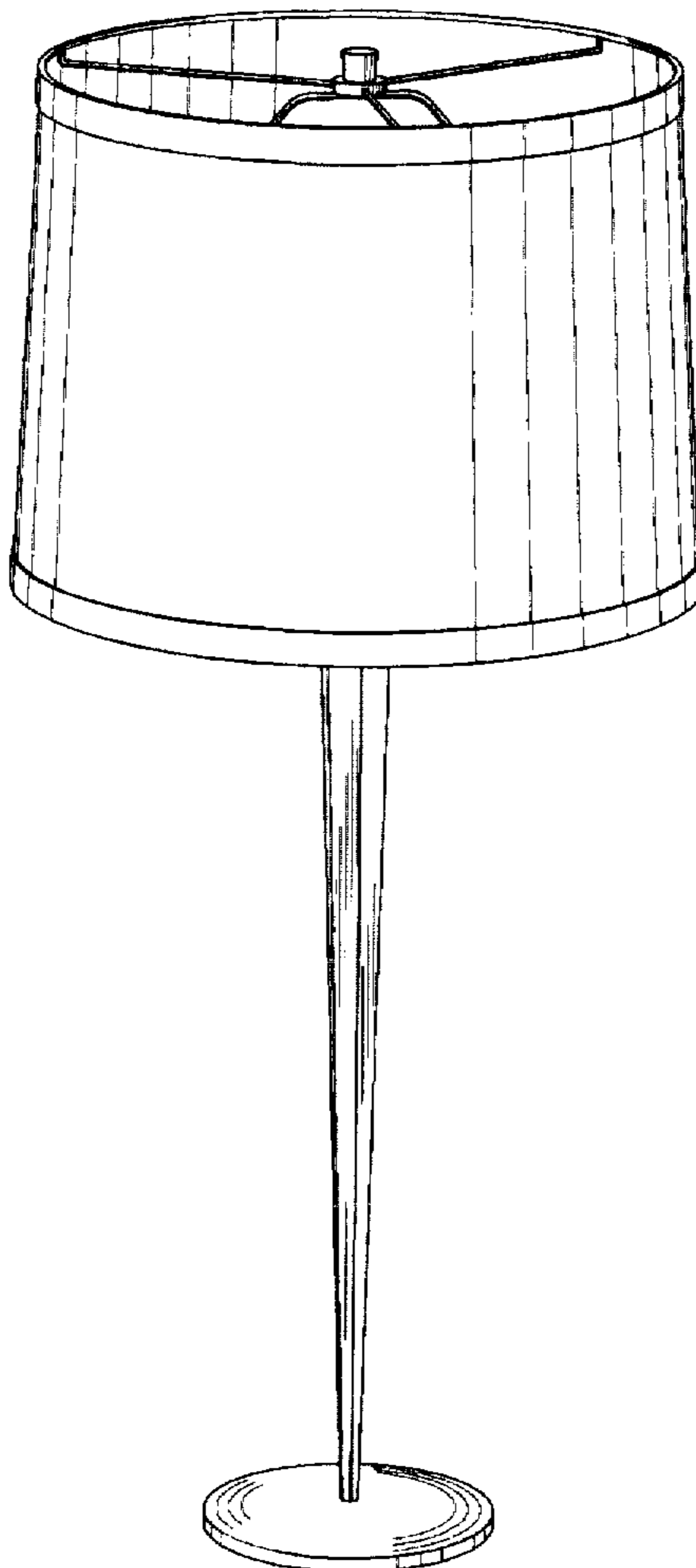
U.S. PATENT DOCUMENTS

D. 168,280 11/1952 Schwarz D26/93

OTHER PUBLICATIONS

Better Designs, p. 24, floor lamp, Jun. 1952.
Exposures Catalog, p. 6, table lamp D, Jan. 1991.
Lamp Journal, p. 27, Lightolier table lamp, bottom left, Jul. 1963.

1 Claim, 4 Drawing Sheets



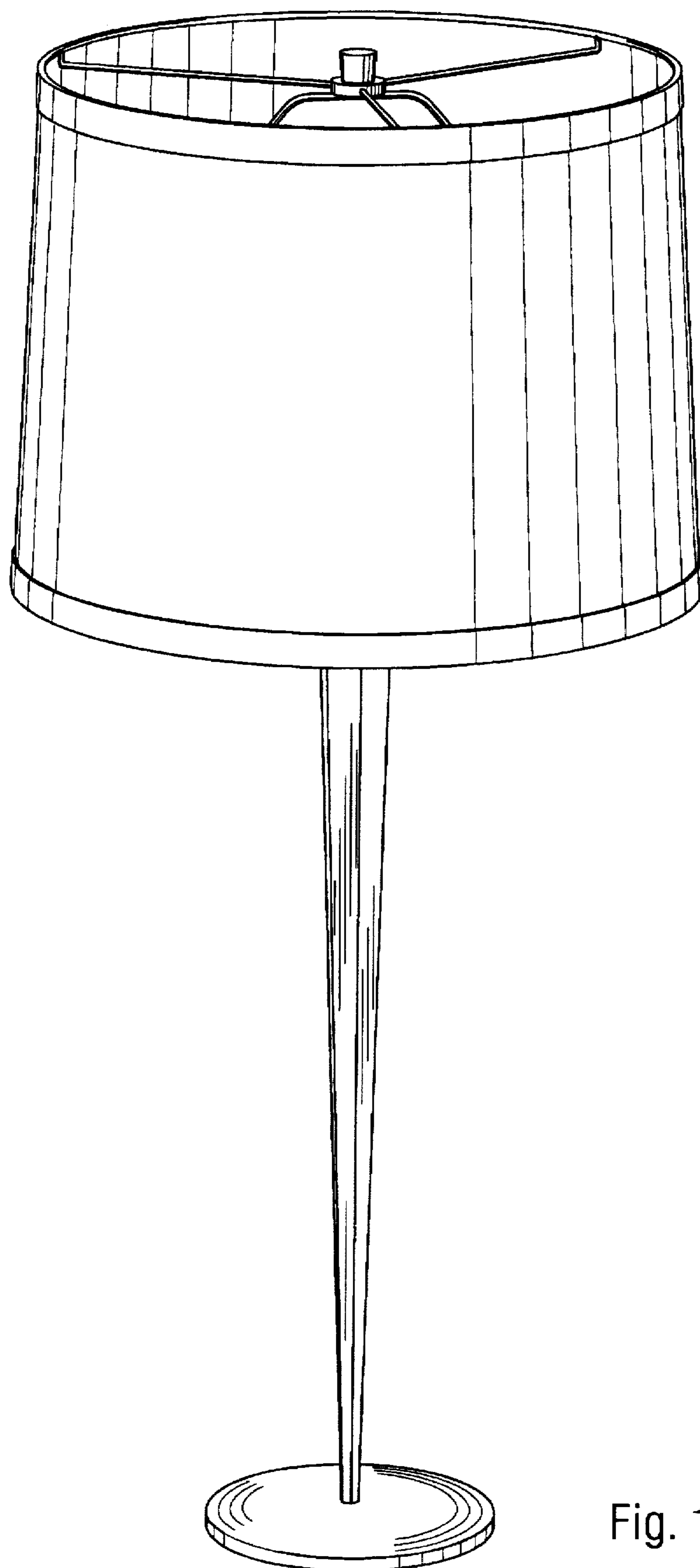


Fig. 1

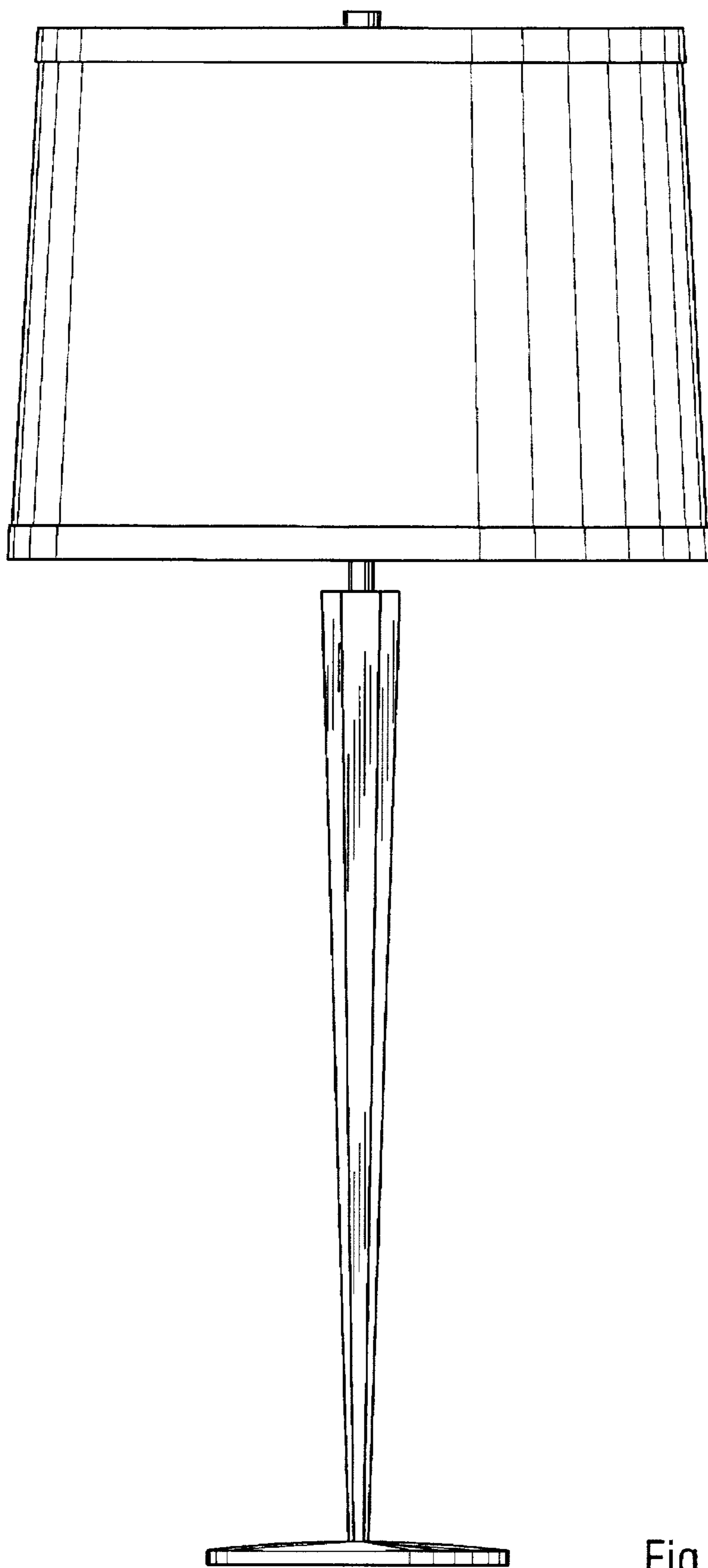


Fig. 2

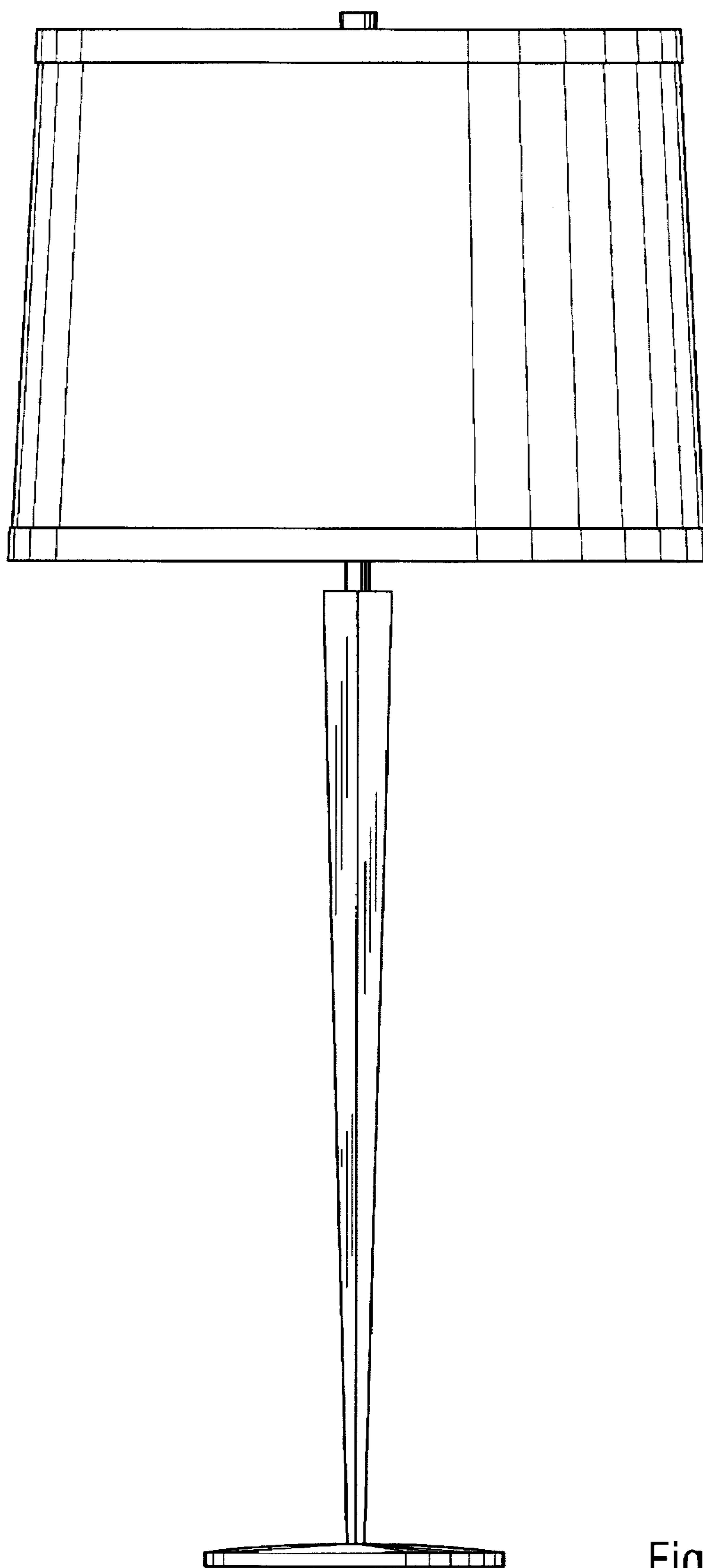


Fig. 3

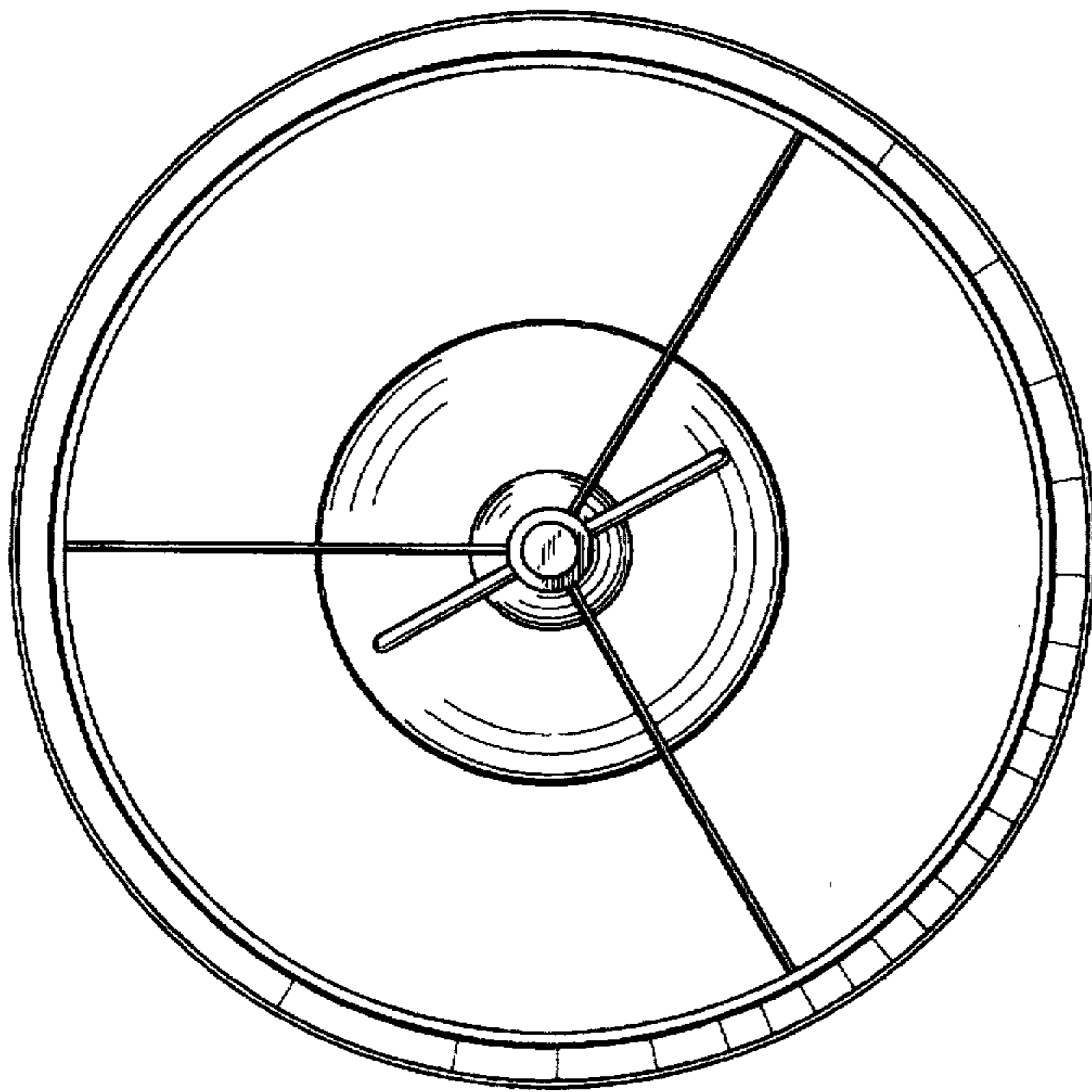


Fig. 4

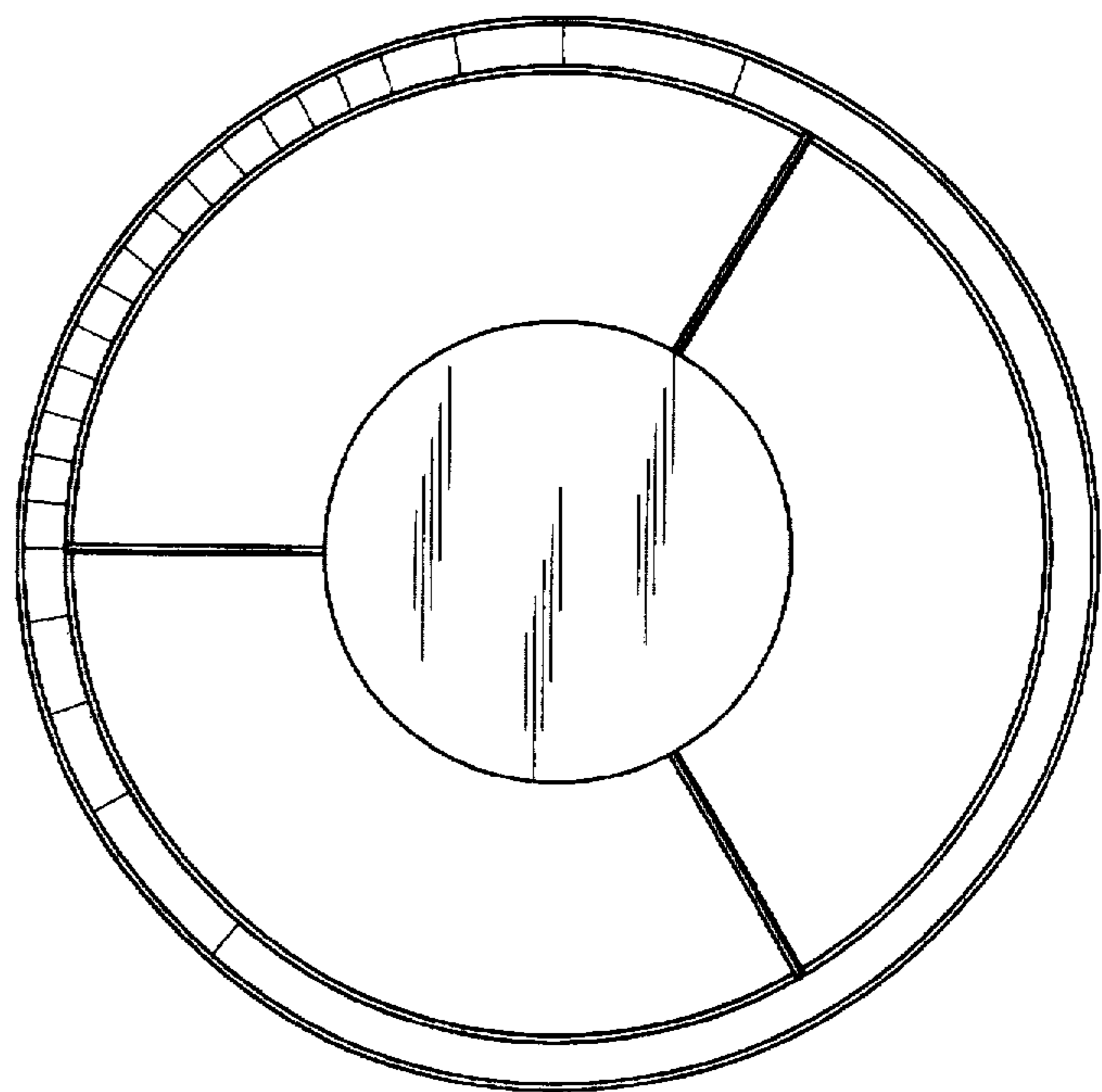


Fig. 5