

US00D388220S

United States Patent [19]
Hsu

[11] **Patent Number: Des. 388,220**
[45] **Date of Patent: **Dec. 23, 1997**

[54] **WALL MOUNTED LAMP**

[75] **Inventor: Keen Hsu, Taichung, Taiwan**

[73] **Assignee: Bright Yin Huey Co., Ltd., Taichung, Taiwan**

[**] **Term: 14 Years**

[21] **Appl. No.: 62,463**

[22] **Filed: Nov. 15, 1996**

[51] **LOC (6) Cl. 26-05**

[52] **U.S. Cl. D26/87**

[58] **Field of Search D26/72, 80-92;
362/147, 404-408, 432, 367**

[56] **References Cited**

U.S. PATENT DOCUMENTS

D. 31,691 5/1899 Choi et al. D26/87

OTHER PUBLICATIONS

Home Lighting and Accessories, p. 42, Kenroy International wall lantern, Mar. 1995.

Lavery Lantern Catalog, p. 8, hanging lamp #8041-33, 1993.

Primary Examiner—Susan J. Lucas
Attorney, Agent, or Firm—Bacon & Thomas

[57] **CLAIM**

The ornamental design for “wall mounted lamp”, as shown and described.

DESCRIPTION

FIG. 1 is a perspective view of a wall mounted lamp showing my new design;

FIG. 2 is a front view thereof;

FIG. 3 is a rear view thereof;

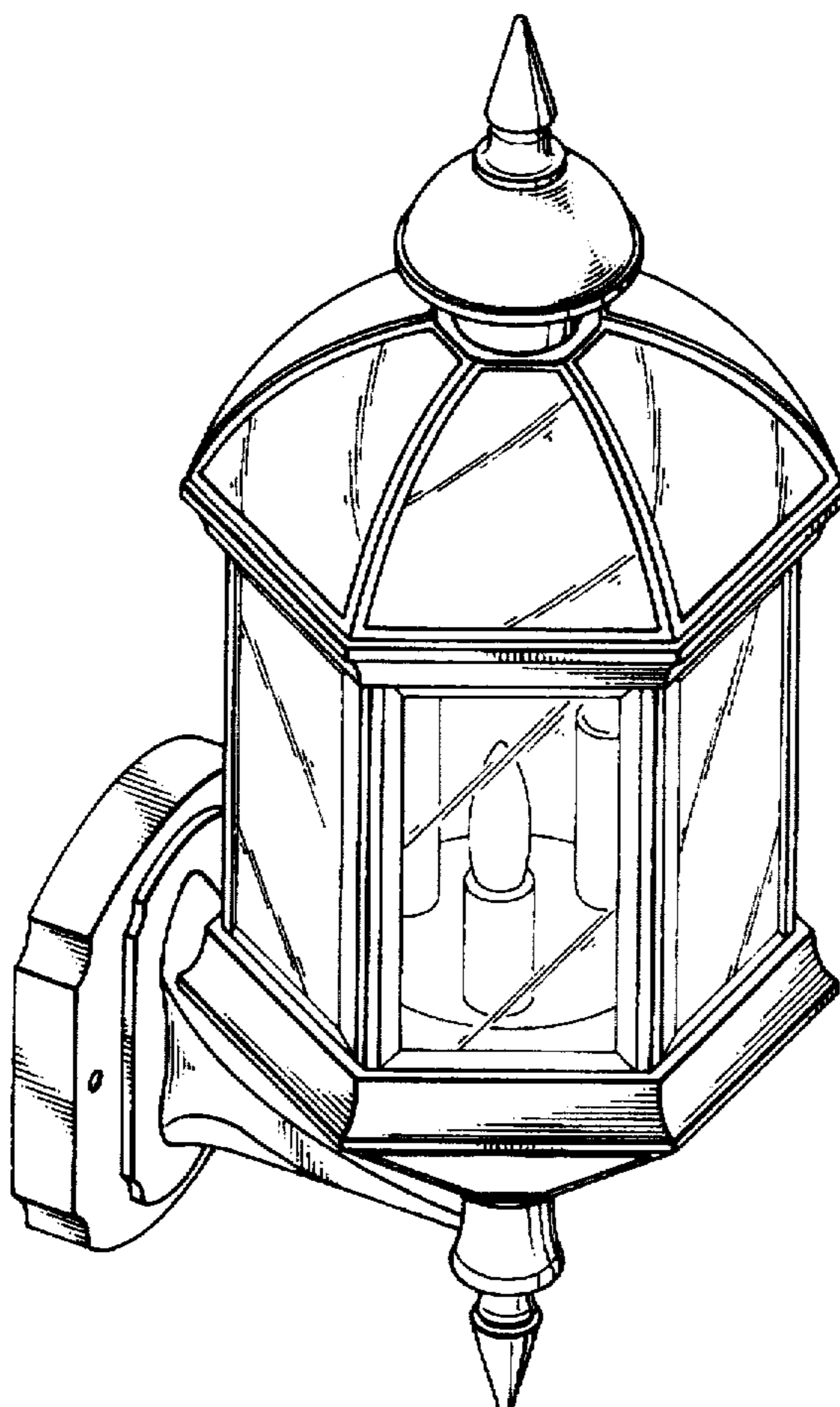
FIG. 4 is a left side view thereof;

FIG. 5 is a right side view thereof;

FIG. 6 is a top view thereof; and,

FIG. 7 is a bottom view thereof.

1 Claim, 4 Drawing Sheets



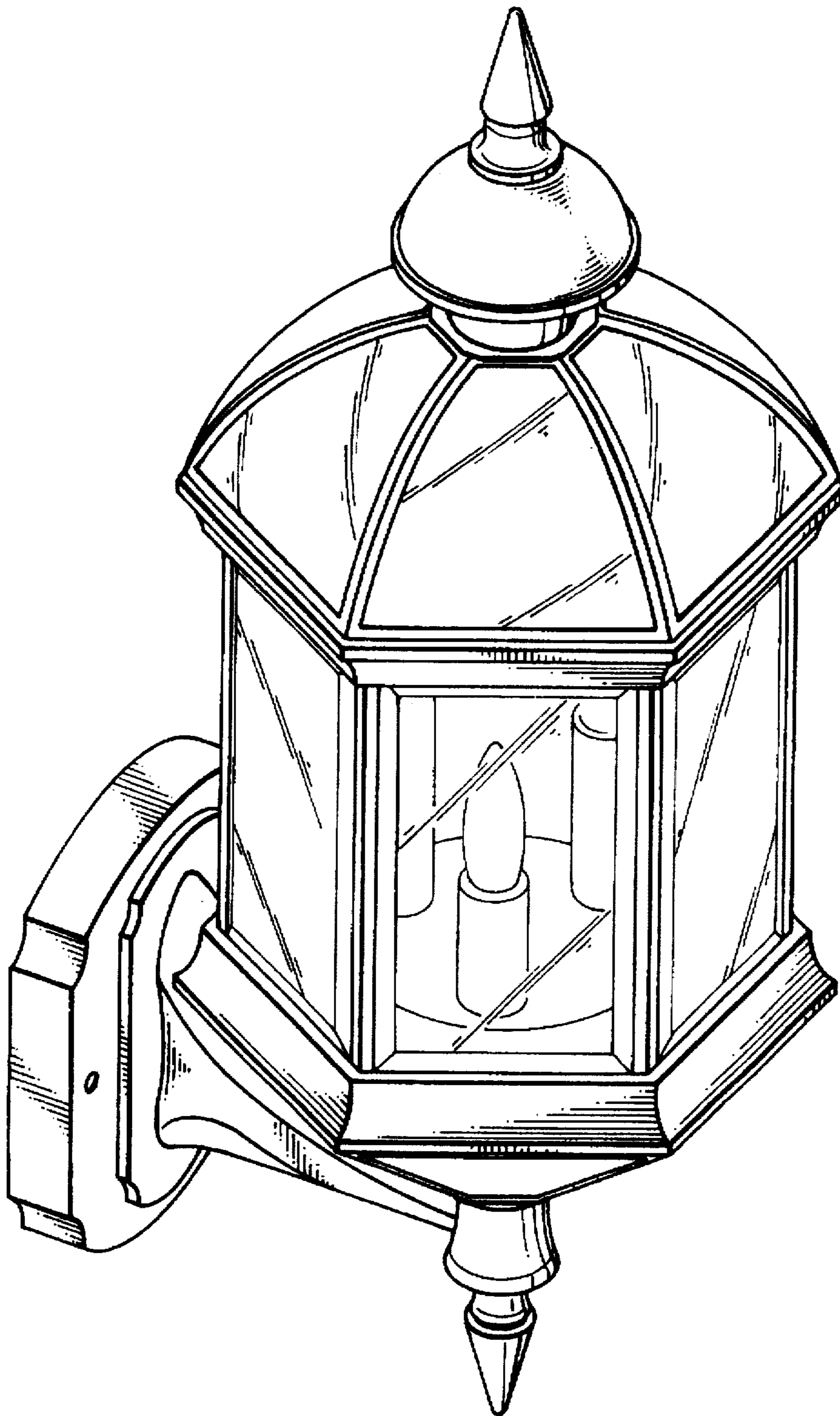


FIG. 1

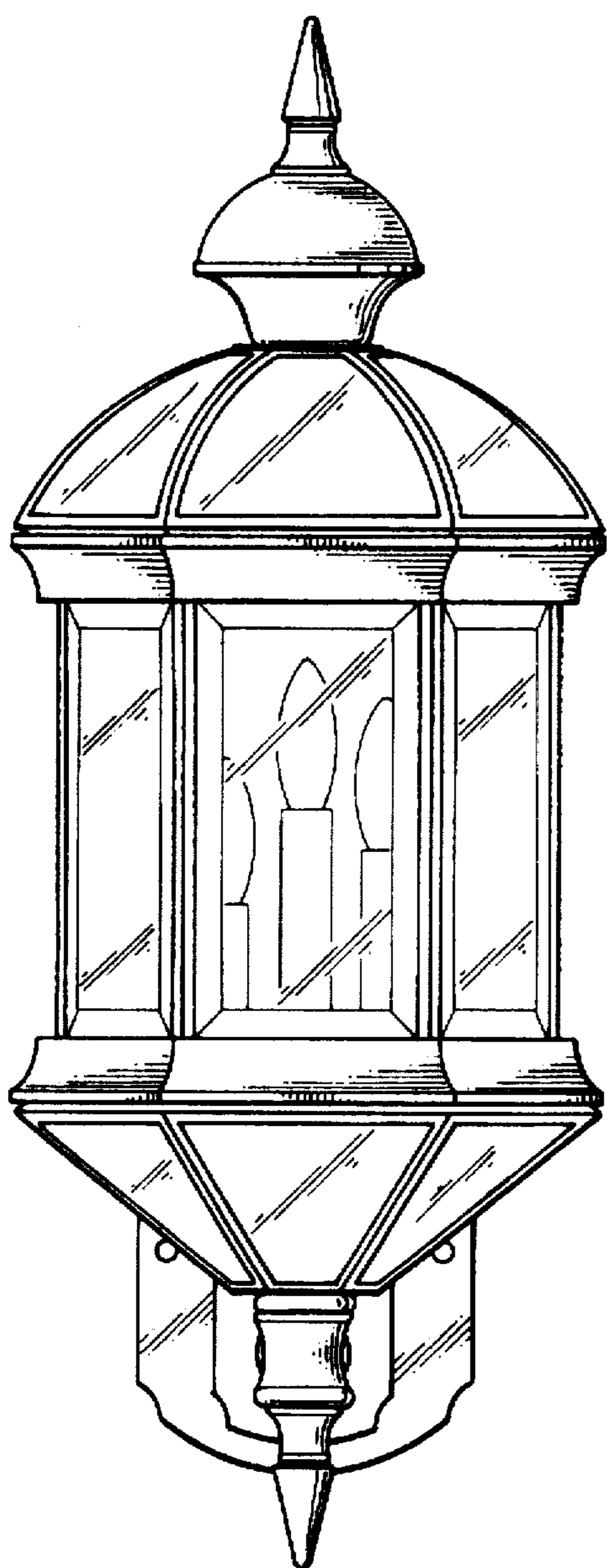


FIG. 2

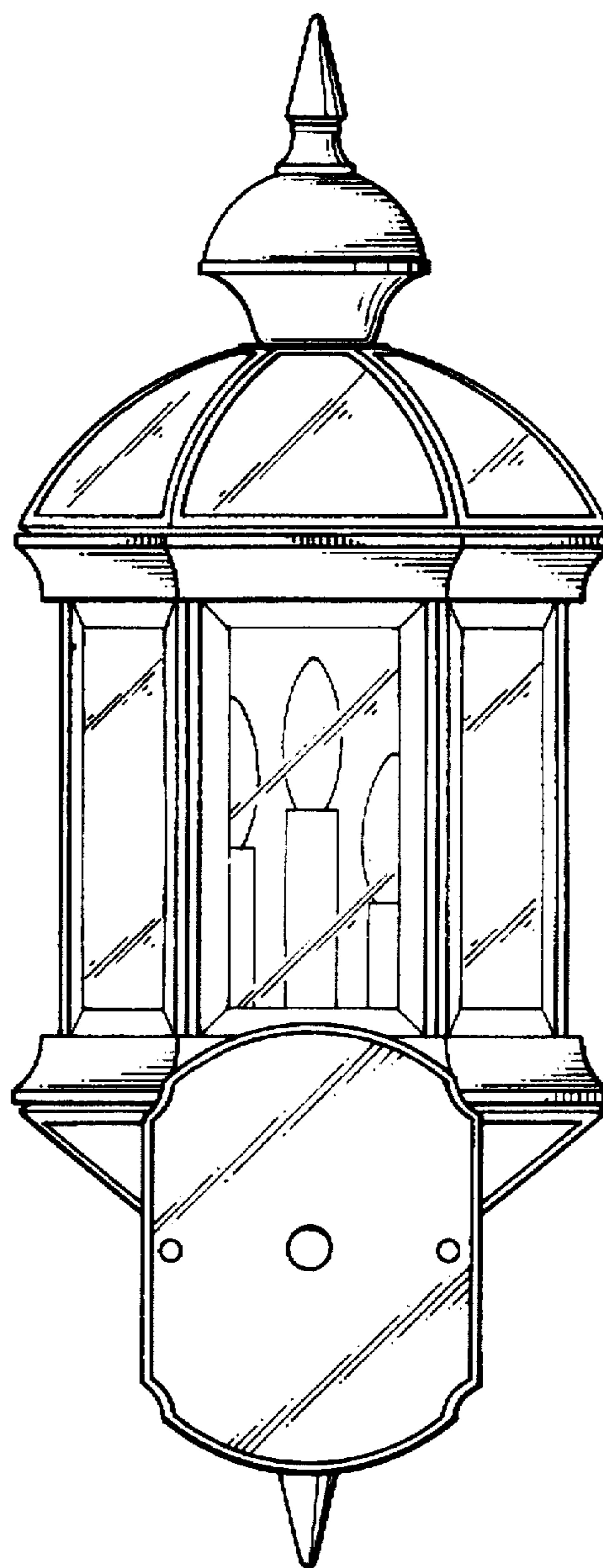


FIG. 3

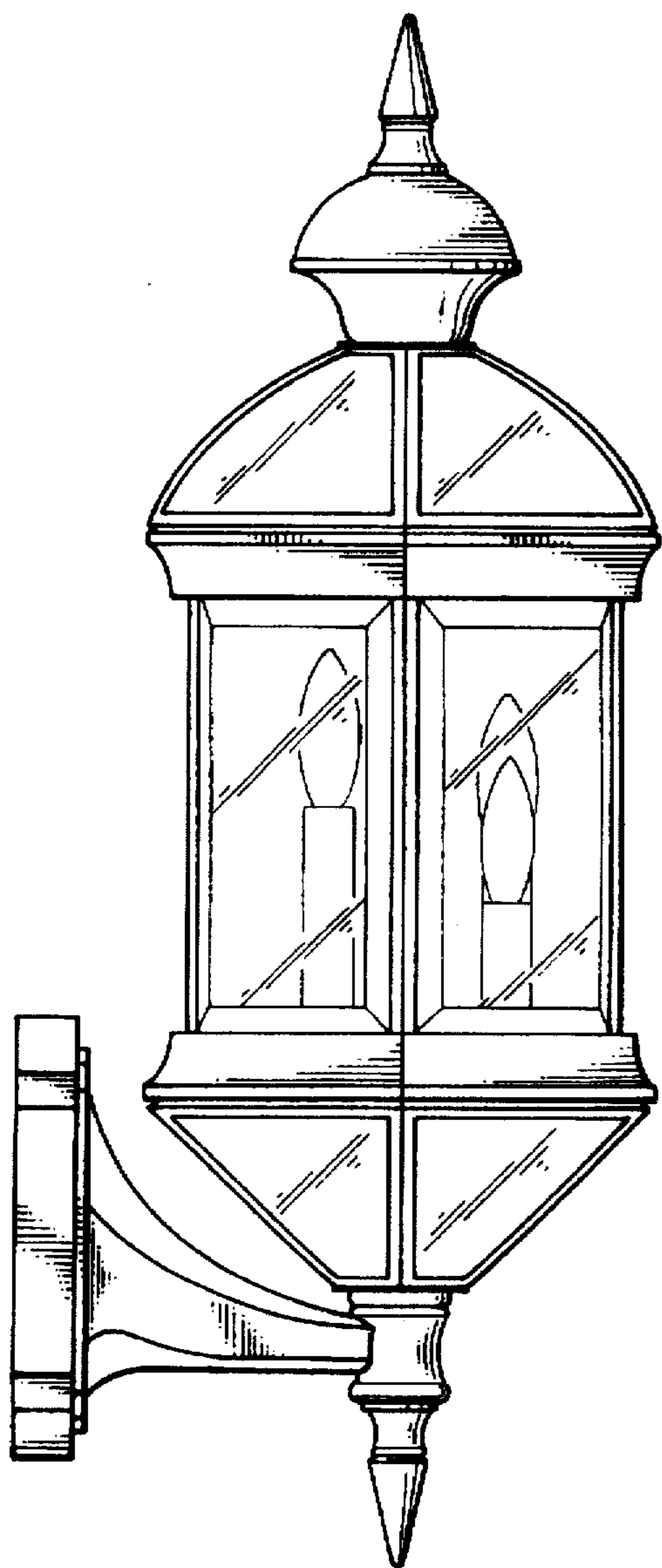


FIG. 4

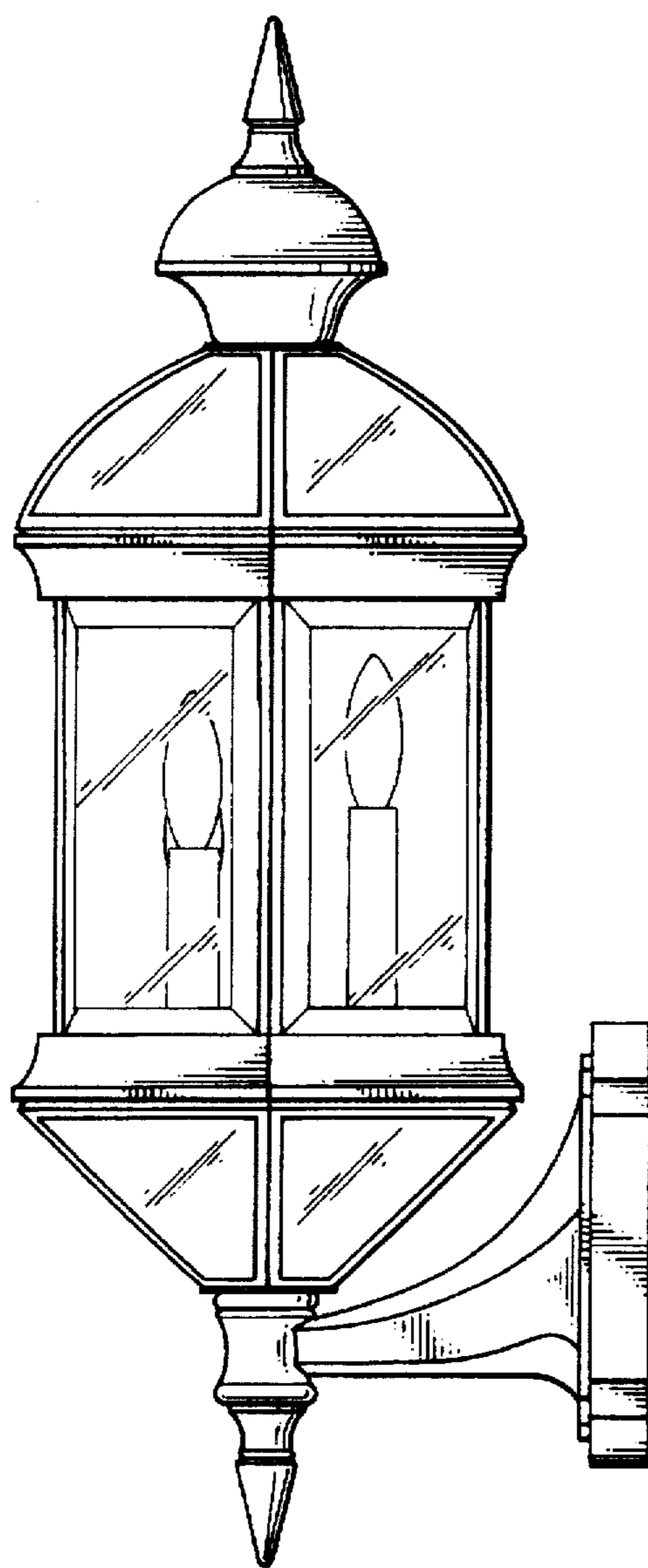


FIG. 5

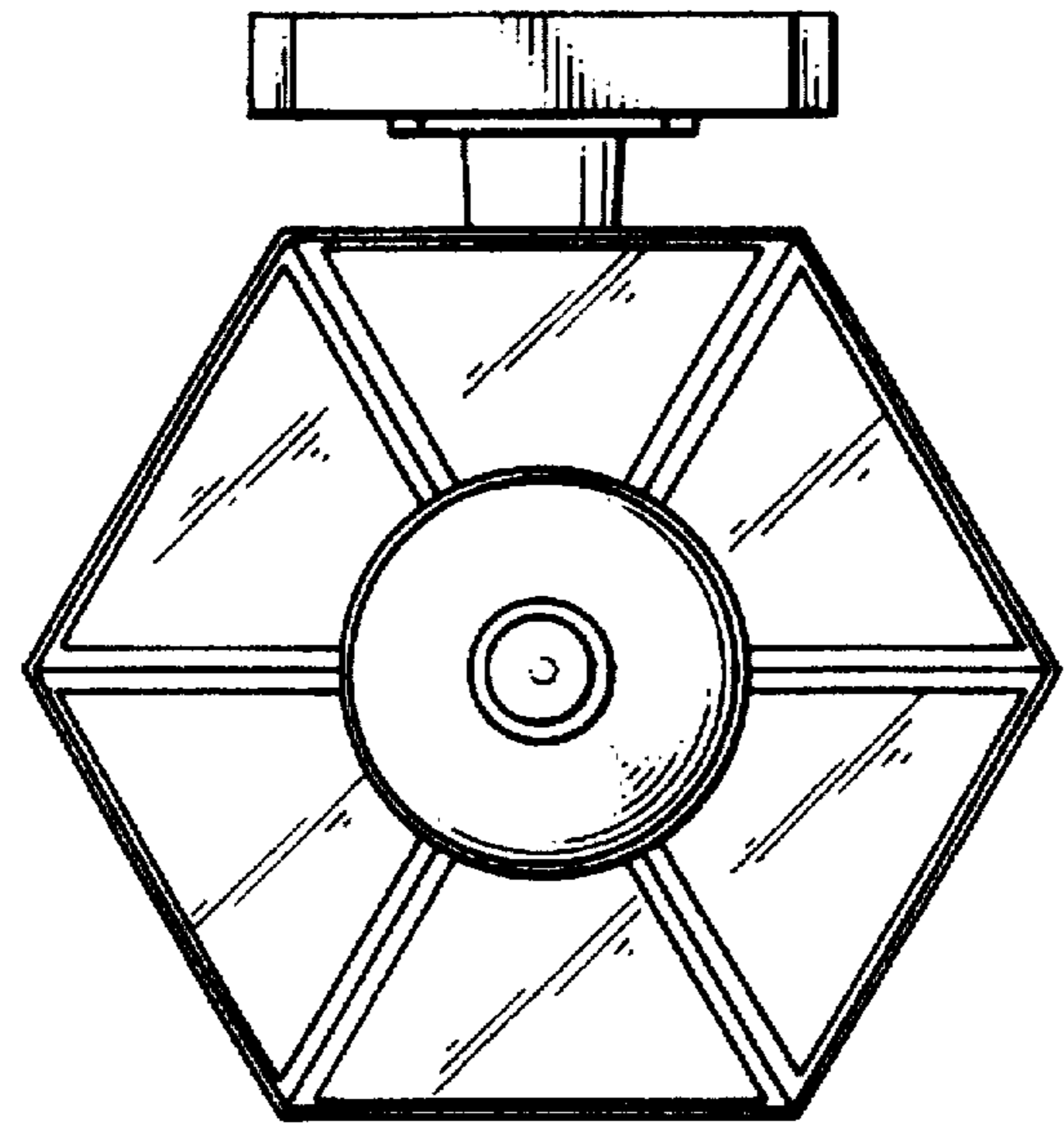


FIG. 6

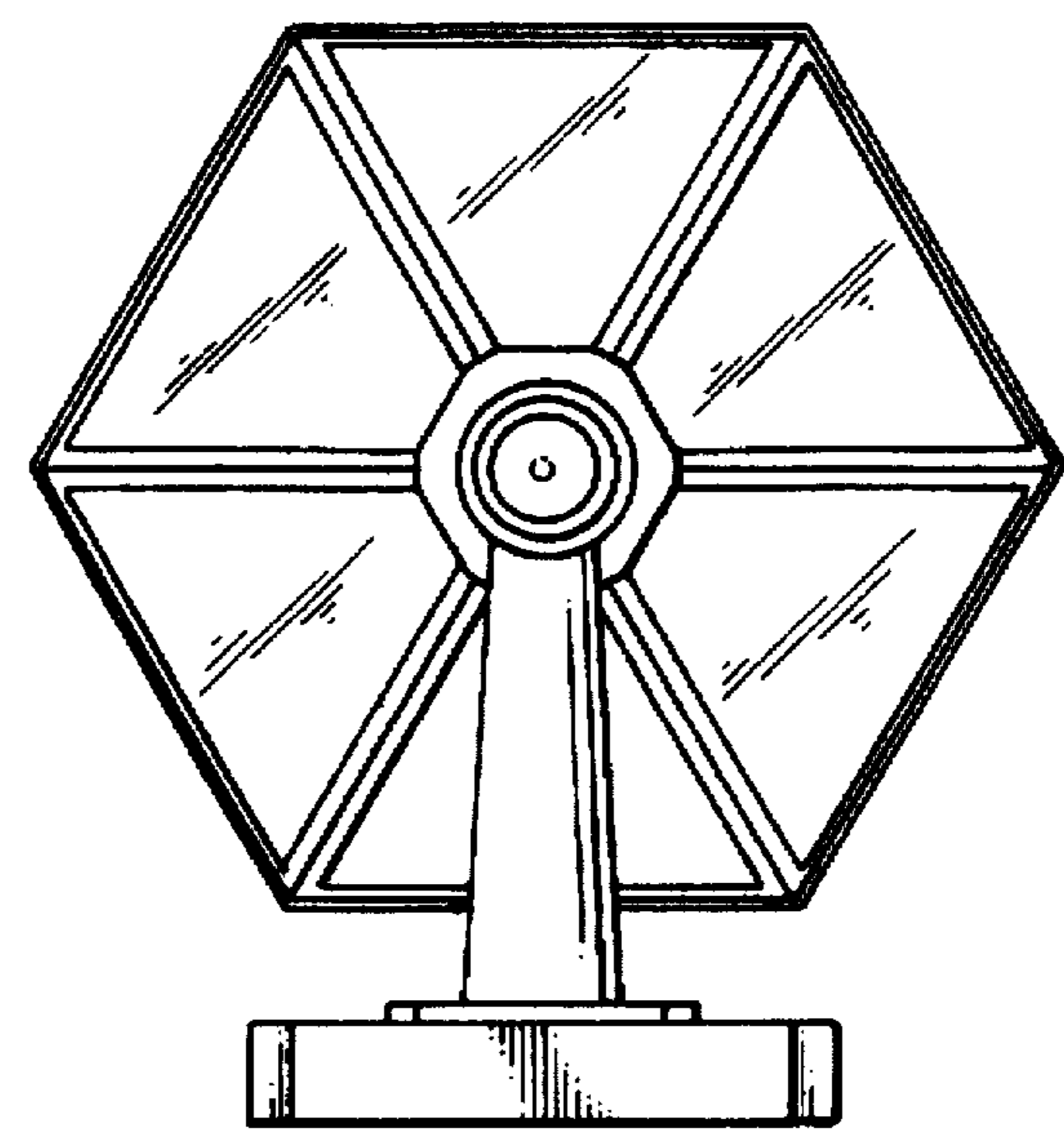


FIG. 7