



US00D388219S

**United States Patent** [19]  
**Hsu**

[11] **Patent Number: Des. 388,219**

[45] **Date of Patent: \*\*Dec. 23, 1997**

[54] **WALL MOUNTED LAMP**

[75] **Inventor: Keen Hsu, Taichung, Taiwan**

[73] **Assignee: Bright Yin Huey Co., Ltd., Taichung, Taiwan**

[\*\*] **Term: 14 Years**

[21] **Appl. No.: 62,462**

[22] **Filed: Nov. 15, 1996**

[51] **LOC (6) Cl. .... 26-05**

[52] **U.S. Cl. .... D26/87**

[58] **Field of Search ..... D26/72, 80-92;  
362/147, 404-408, 432, 367**

[56] **References Cited**

**U.S. PATENT DOCUMENTS**

D. 313,668	1/1991	Porter	.....	D26/87
D. 316,158	4/1991	Choi	.....	D26/87
D. 333,531	2/1993	Rottner	.....	D26/87

**OTHER PUBLICATIONS**

American Lantern catalog, p. 14, wall lantern #543, 1990.  
Home Lighting and Accessories, p. 42, Kenroy International  
wall lantern, Mar. 1995.

*Primary Examiner*—Susan J. Lucas  
*Attorney, Agent, or Firm*—Bacon & Thomas

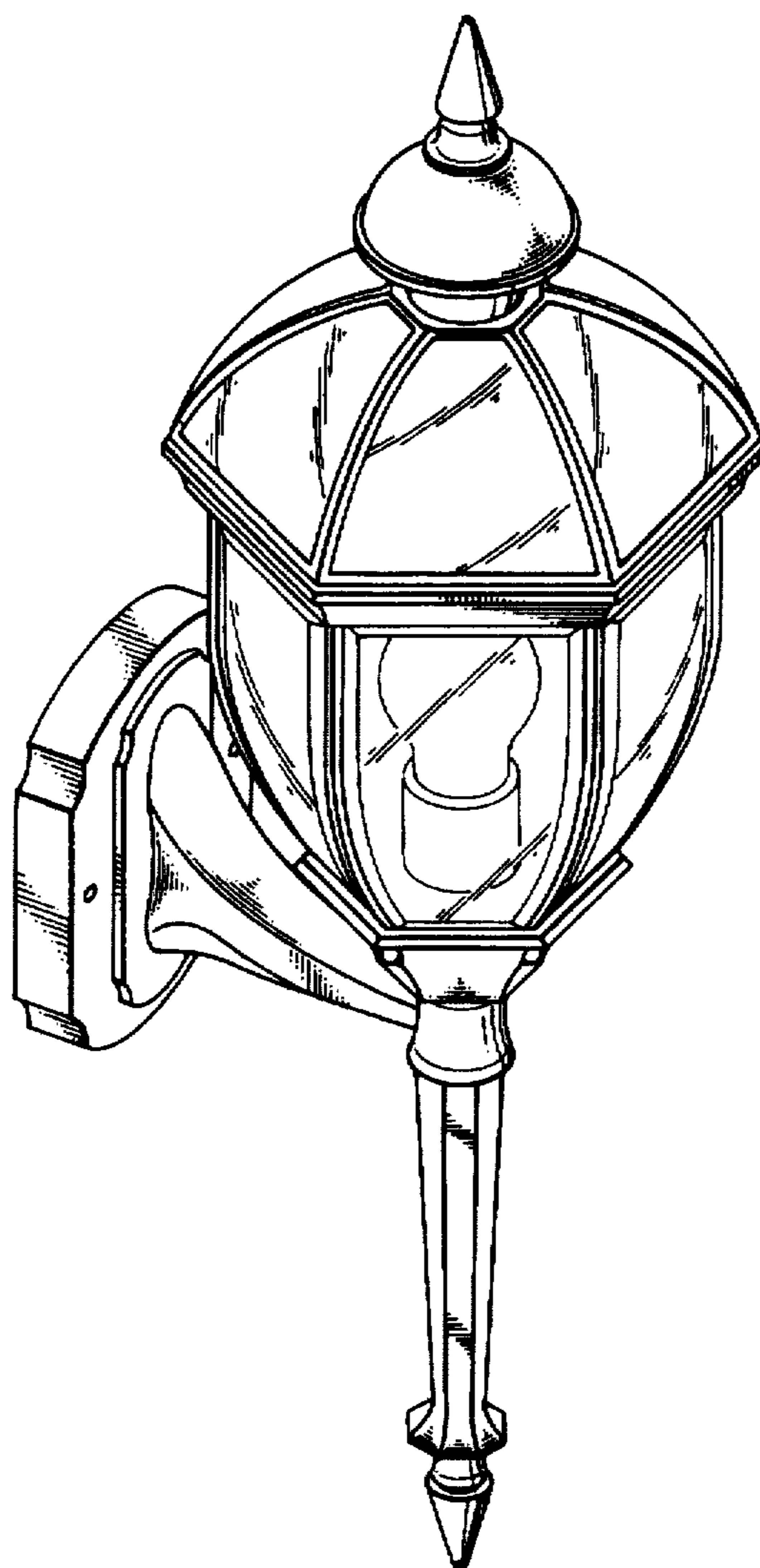
[57] **CLAIM**

The ornamental design for "wall mounted lamp", as shown  
and described.

**DESCRIPTION**

FIG. 1 is a perspective view of a wall mounted lamp  
showing my new design;  
FIG. 2 is a front view thereof;  
FIG. 3 is a rear view thereof;  
FIG. 4 is a right side view thereof; the left side view is  
identical;  
FIG. 5 is a top view thereof; and,  
FIG. 6 is a bottom view thereof.

**1 Claim, 4 Drawing Sheets**



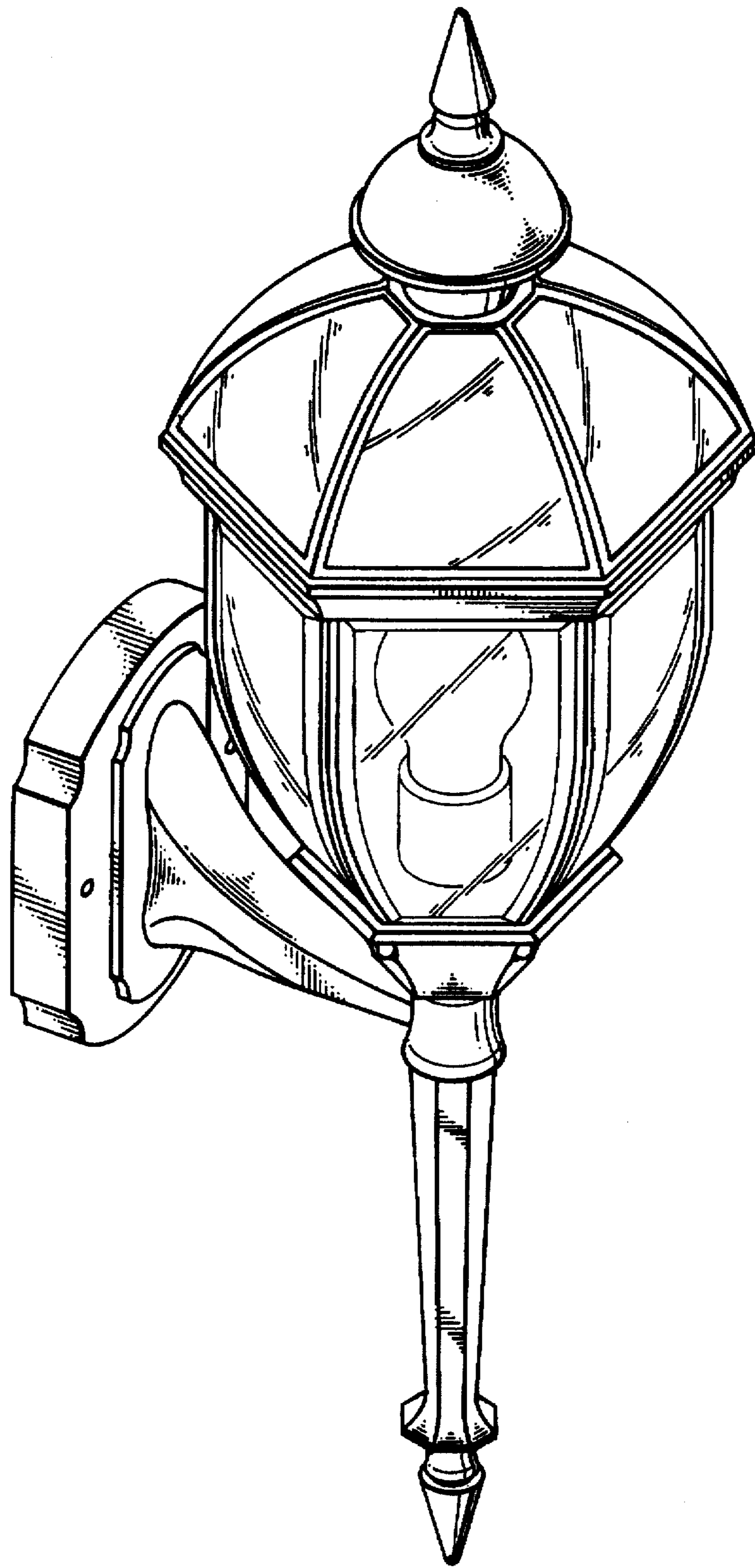


FIG. 1

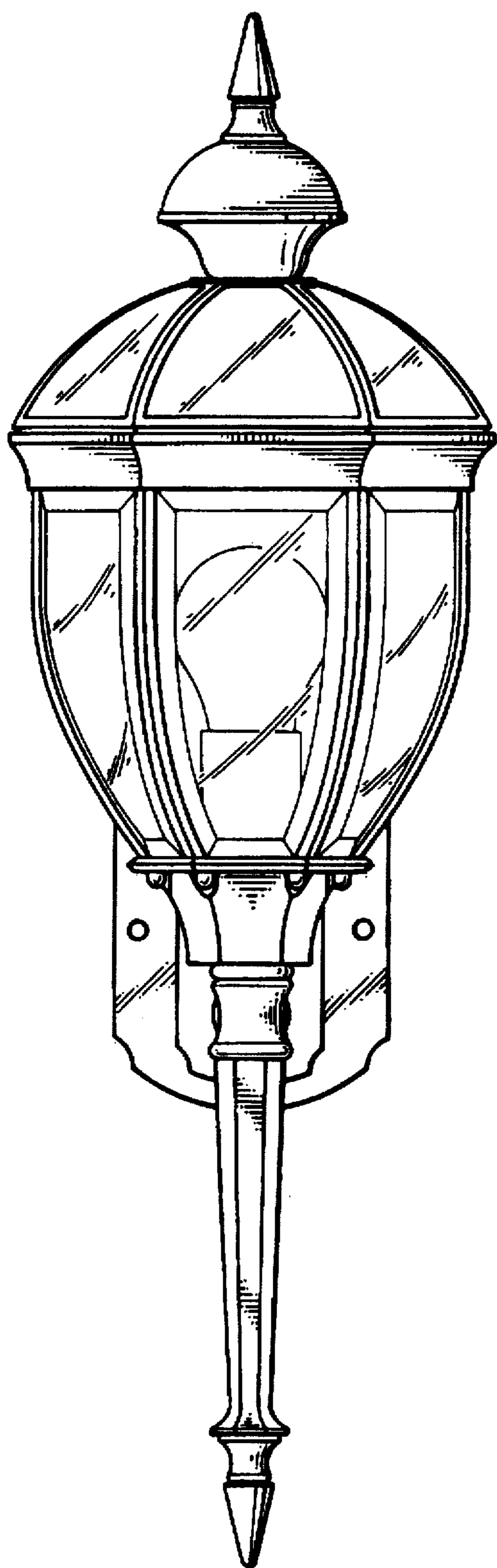


FIG. 2

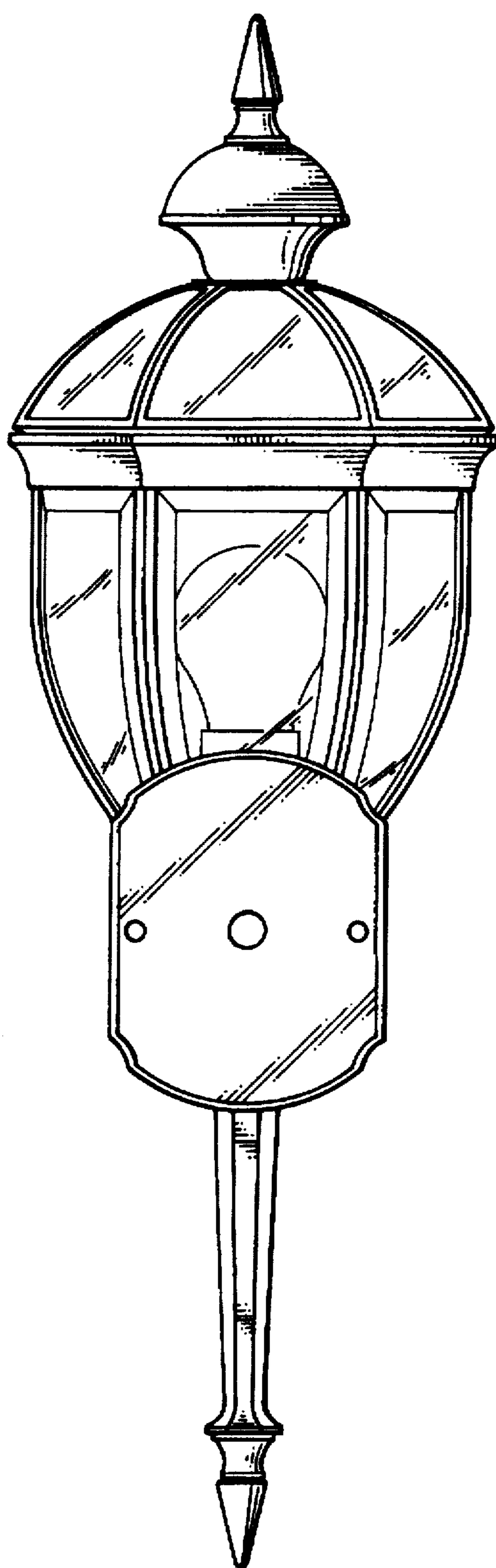


FIG. 3

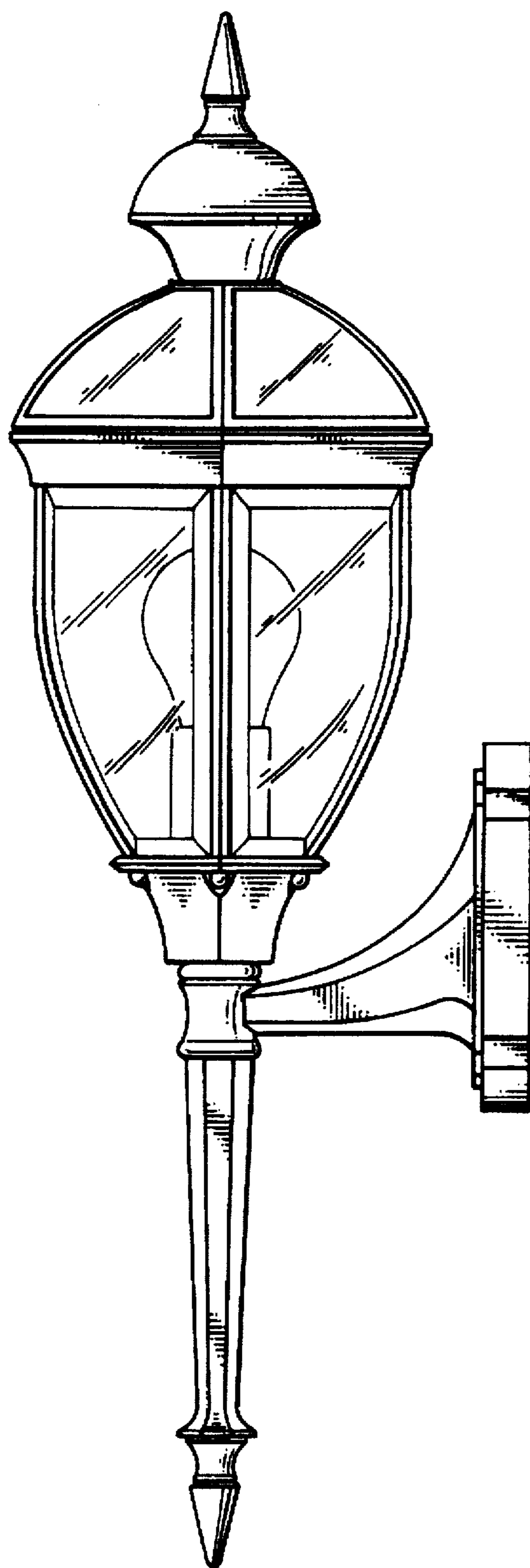


FIG. 4

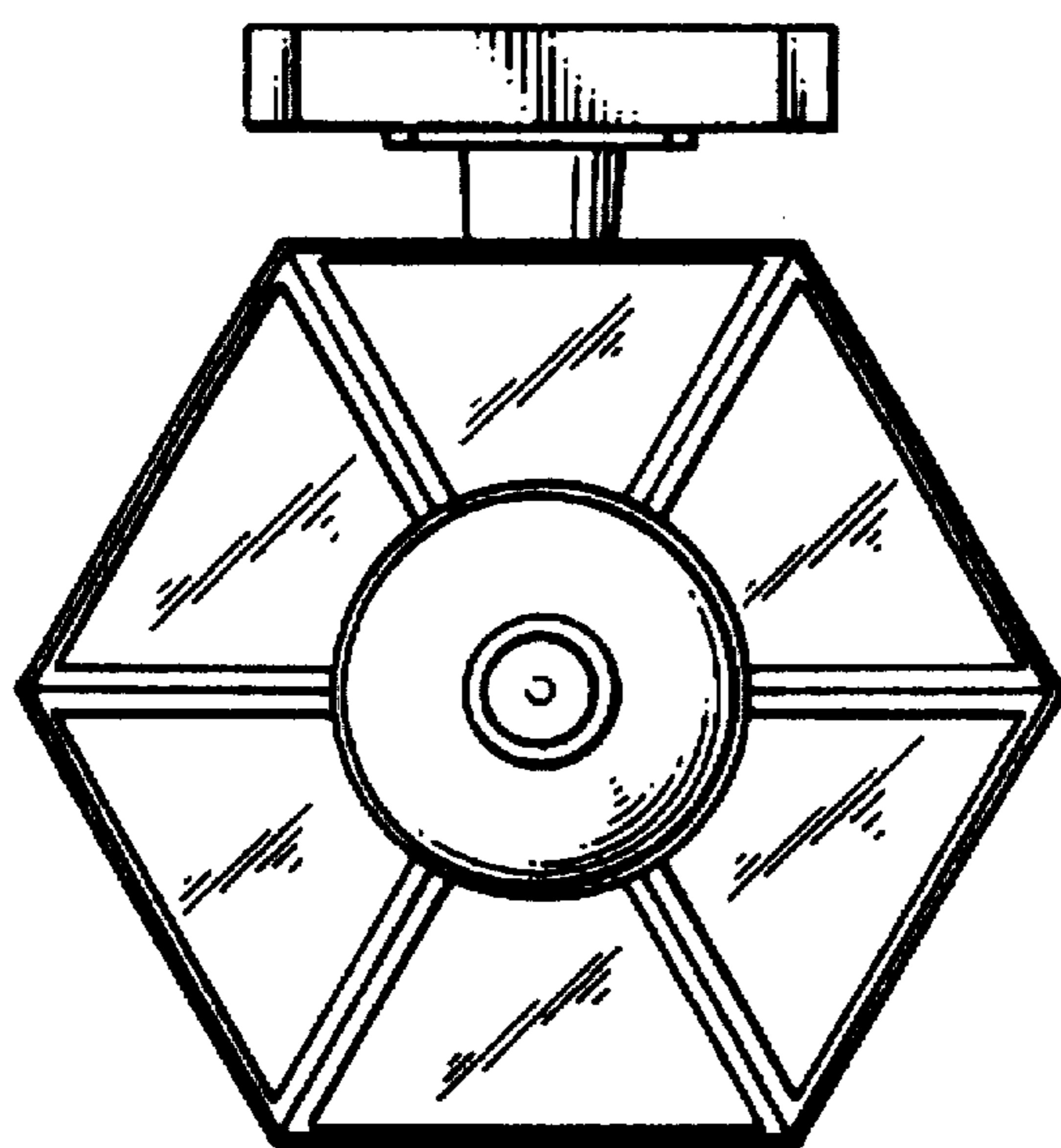


FIG. 5

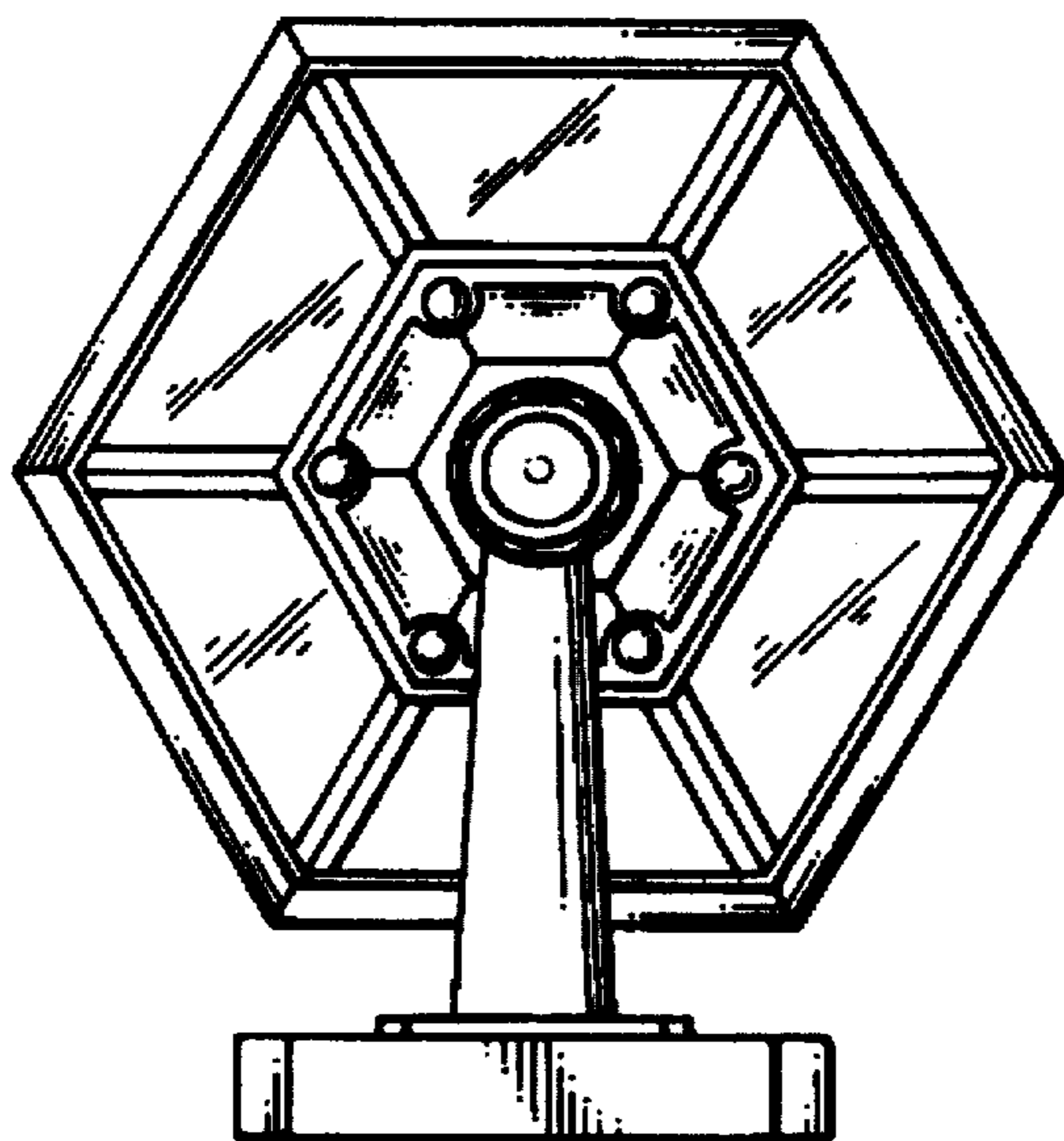


FIG. 6