

US00D388218S

United States Patent [19]

Hsu

[11] Patent Number: **Des. 388,218**

[45] Date of Patent: ****Dec. 23, 1997**

[54] **WALL MOUNTED LAMP**

D. 353,906 12/1994 Hsu D26/87
5,442,532 8/1995 Boulos et al. D26/87

[75] Inventor: **Keen Hsu**, Taichung, Taiwan

Primary Examiner—Susan J. Lucas
Attorney, Agent, or Firm—Bacon & Thomas

[73] Assignee: **Bright Yin Huey Co., Ltd.**, Taichung, Taiwan

[**] Term: **14 Years**

[57] **CLAIM**

The ornamental design for wall mounted lamp , as shown and described.

[21] Appl. No.: **62,461**

[22] Filed: **Nov. 15, 1996**

DESCRIPTION

[51] LOC (6) Cl. **26-05**

[52] U.S. Cl. **D26/87**

[58] Field of Search D26/72, 80-92;
362/147, 404-408, 432, 367

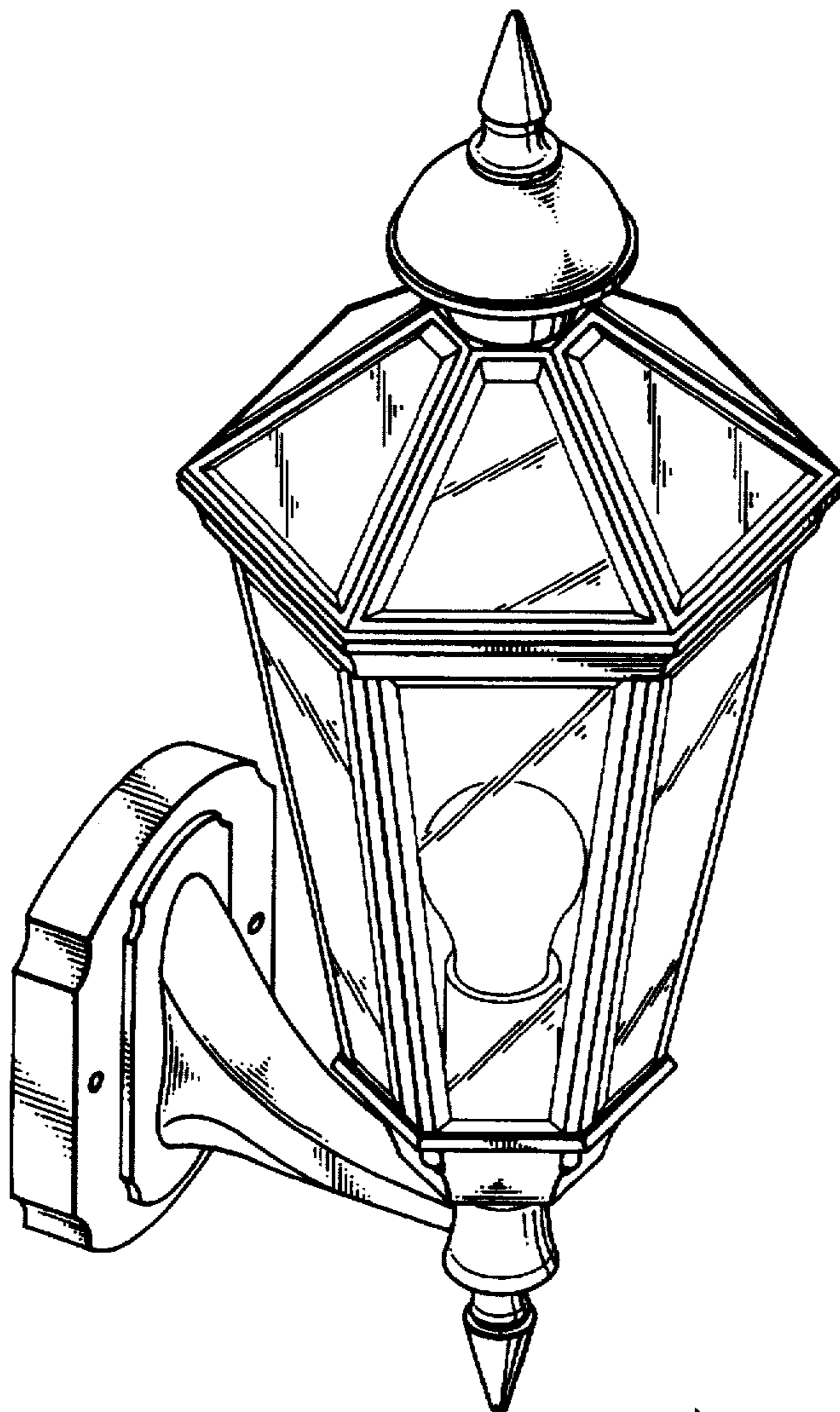
FIG. 1 is a perspective view of a wall mounted lamp showing my new design;
FIG. 2 is a front view thereof;
FIG. 3 is a rear view thereof;
FIG. 4 is a right side view thereof; the left side view is identical;
FIG. 5 is a top view thereof; and,
FIG. 6 is a bottom view thereof.

[56] **References Cited**

U.S. PATENT DOCUMENTS

D. 316,912 5/1991 Choi D26/87
D. 333,531 2/1993 Rottner D26/87

1 Claim, 4 Drawing Sheets



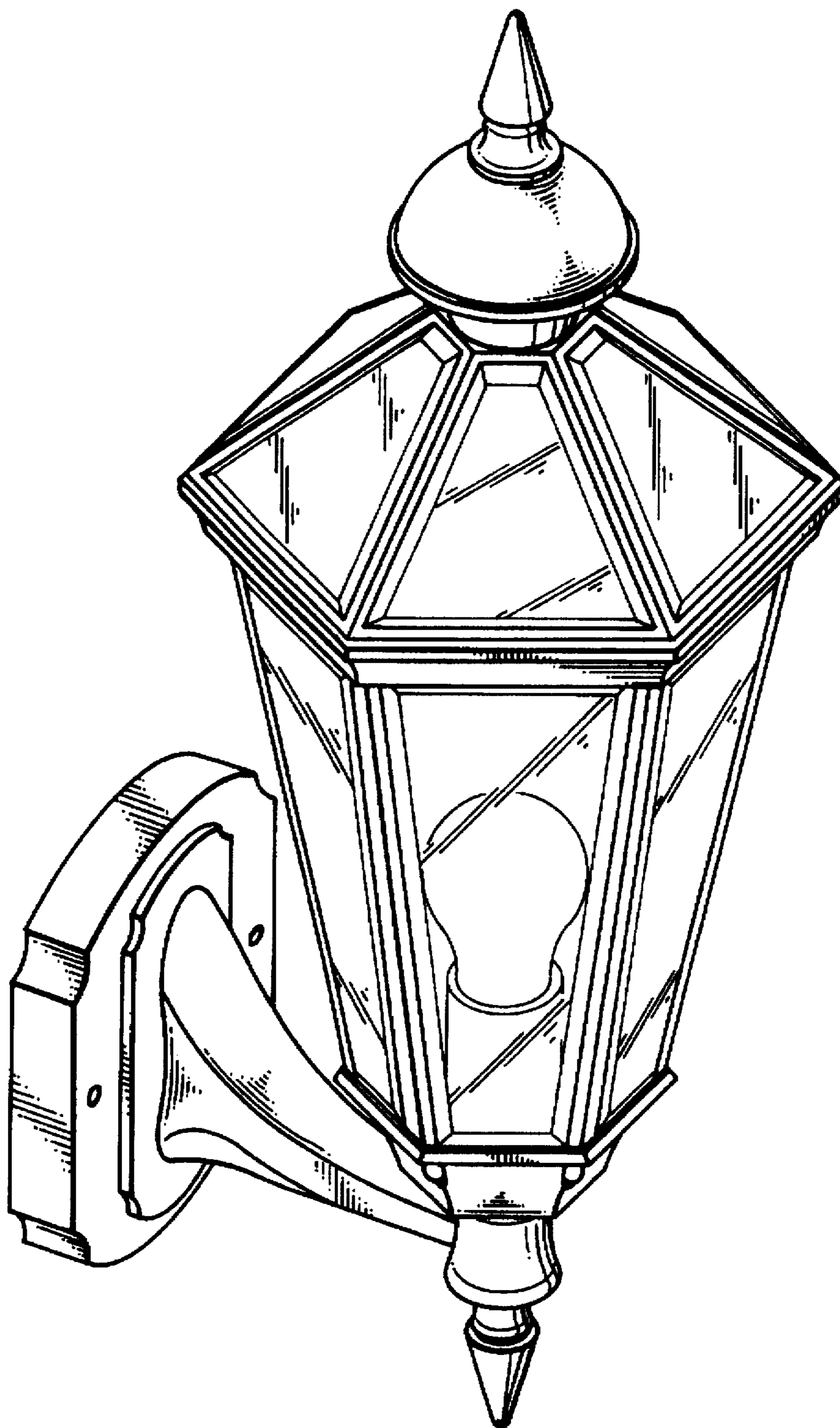


FIG. 1

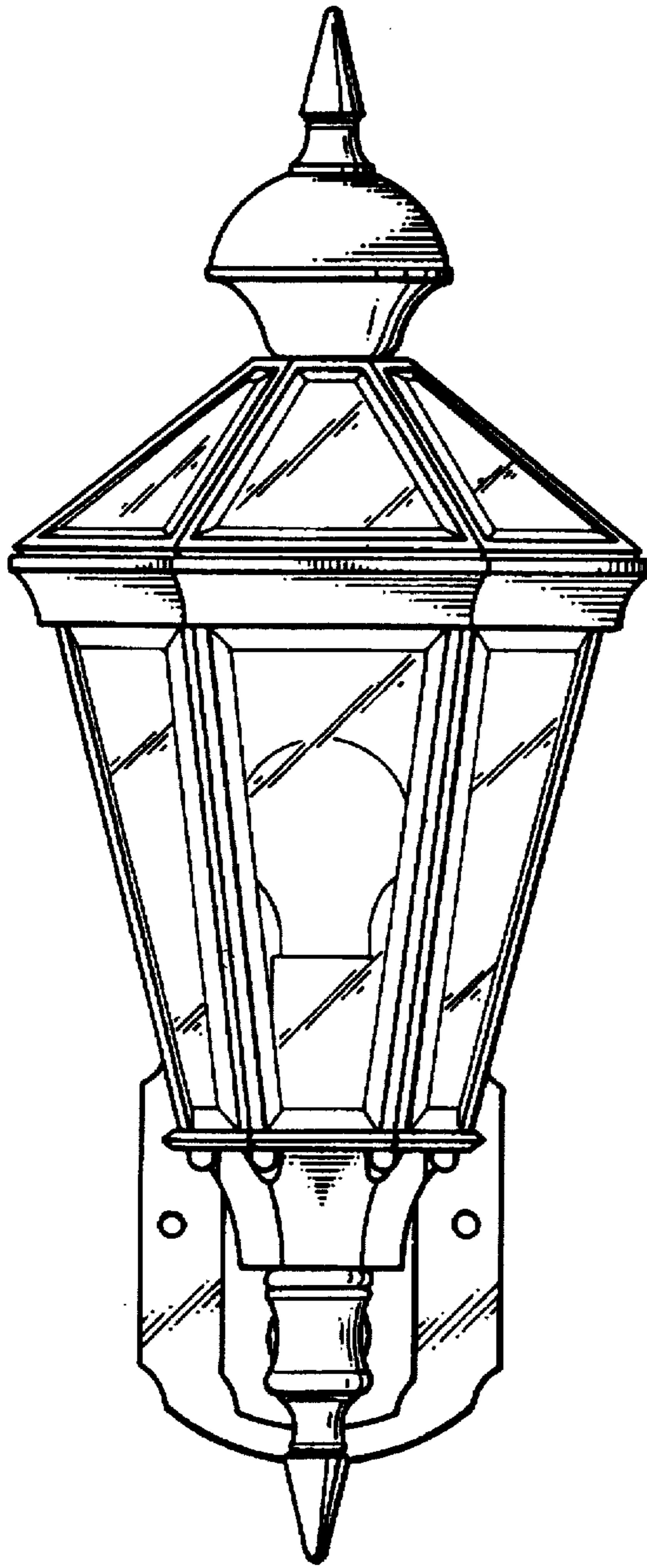


FIG. 2

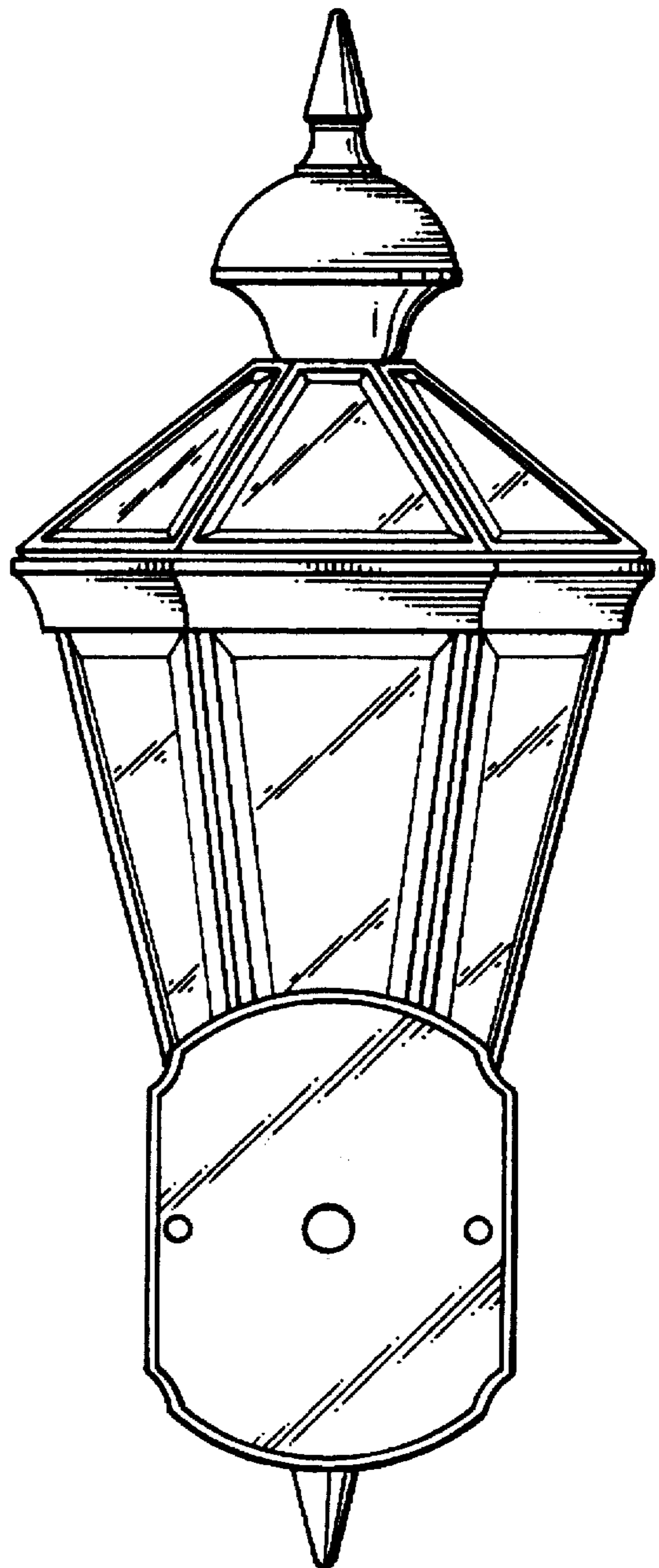


FIG. 3

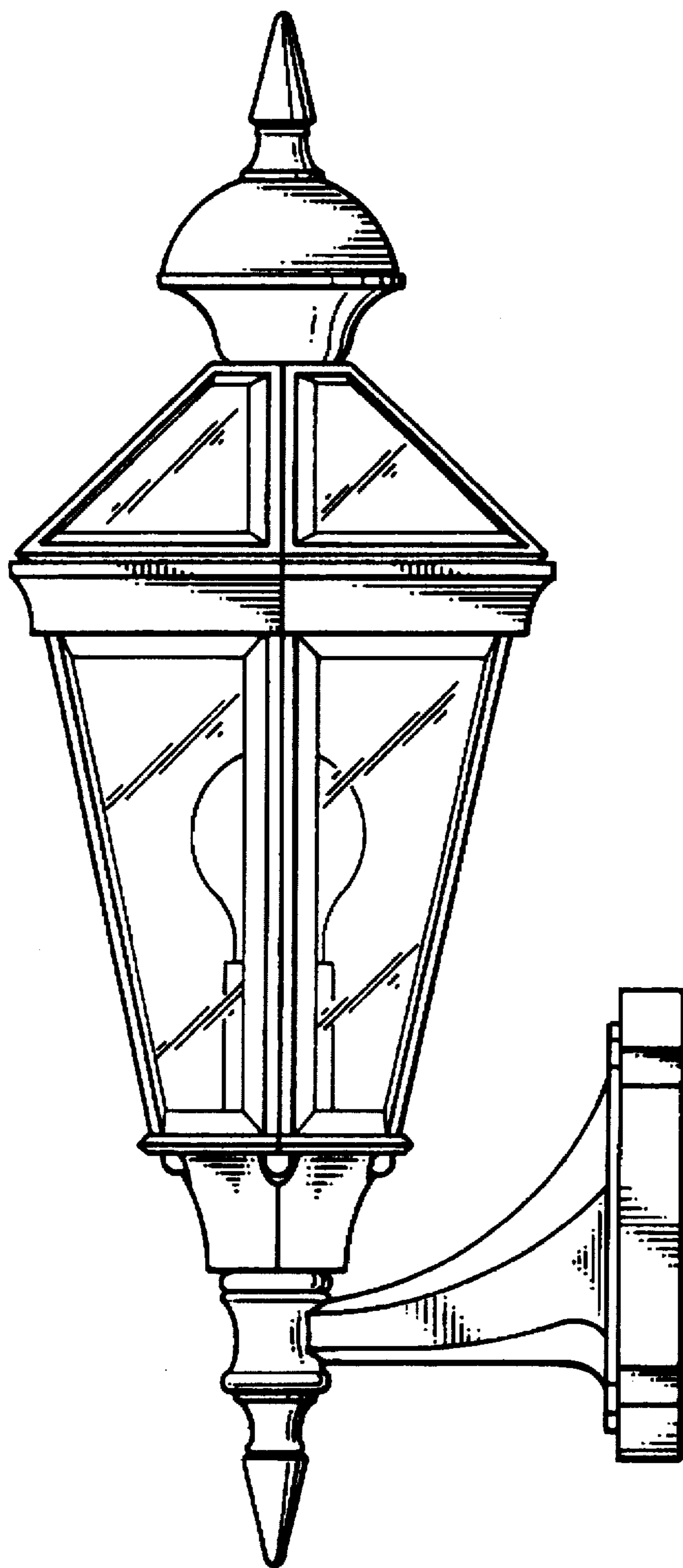


FIG. 4

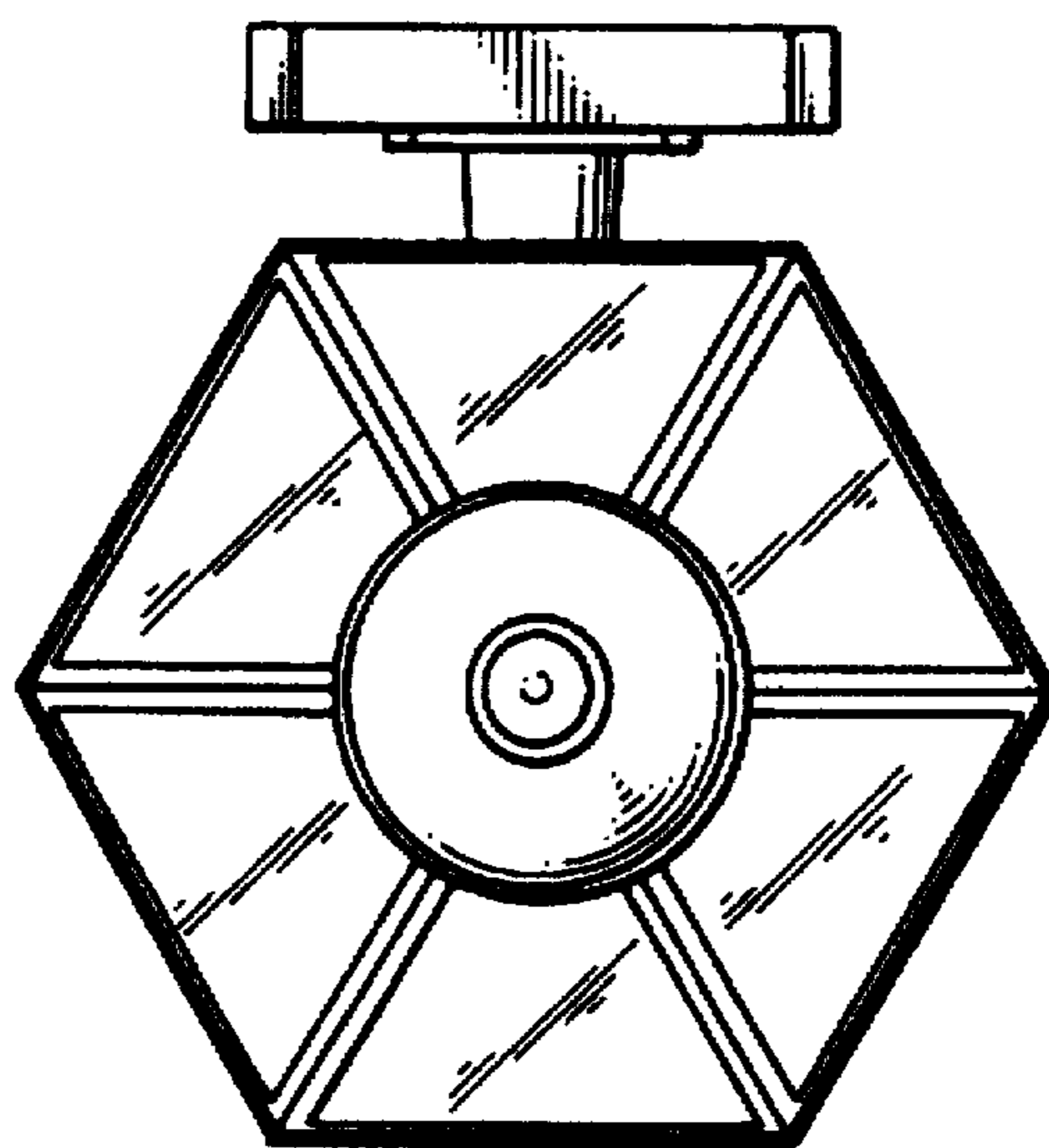


FIG. 5

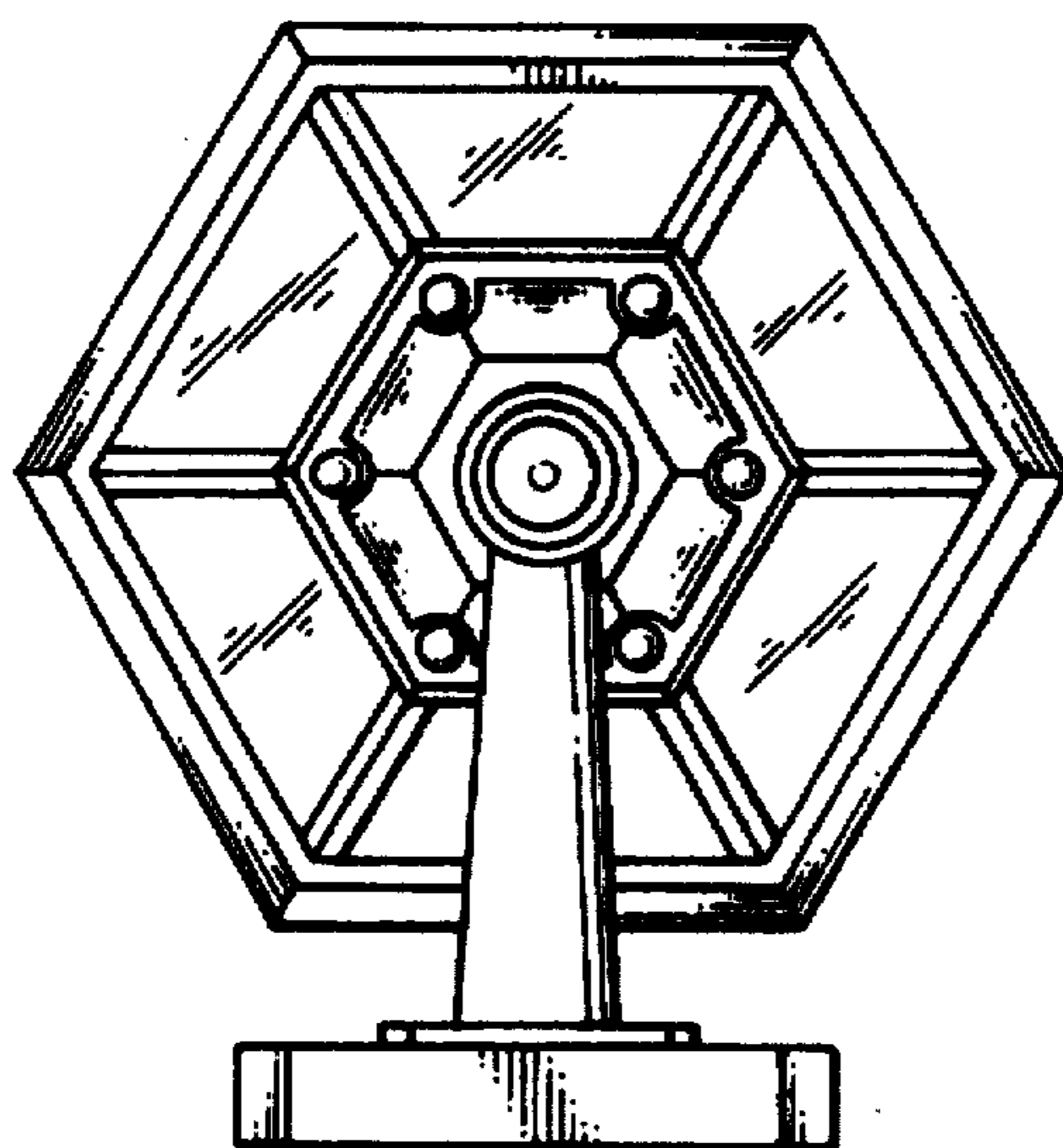


FIG. 6