



US00D388212S

United States Patent [19]

Brohard et al.

[11] Patent Number: Des. 388,212

[45] Date of Patent: **Dec. 23, 1997

[54] PARKING LOT LUMINAIRE

[75] Inventors: **Bonnie J. Brohard**, Hebron; **Herbert A. Fouke**, Newark; **Peter A. Koloski**, Columbus, all of Ohio

[73] Assignee: **Holophane Corporation**, Newark, Ohio

[**] Term: 14 Years

[21] Appl. No.: 61,224

[22] Filed: Oct. 18, 1996

Related U.S. Application Data

[62] Division of Ser. No. 43,838, Aug. 30, 1995.

[51] LOC (6) Cl. 26-03

[52] U.S. Cl. D26/71; D26/87

[58] Field of Search D26/67, 68, 69, D26/70, 71, 72, 80-92; 362/147, 431, 432

[56] References Cited

U.S. PATENT DOCUMENTS

- D. 239,861 5/1976 Van Steenhoven D26/71
- D. 358,898 5/1995 Compton D26/67

Primary Examiner—Susan J. Lucas
Attorney, Agent, or Firm—Brooks & Kushman P.C.

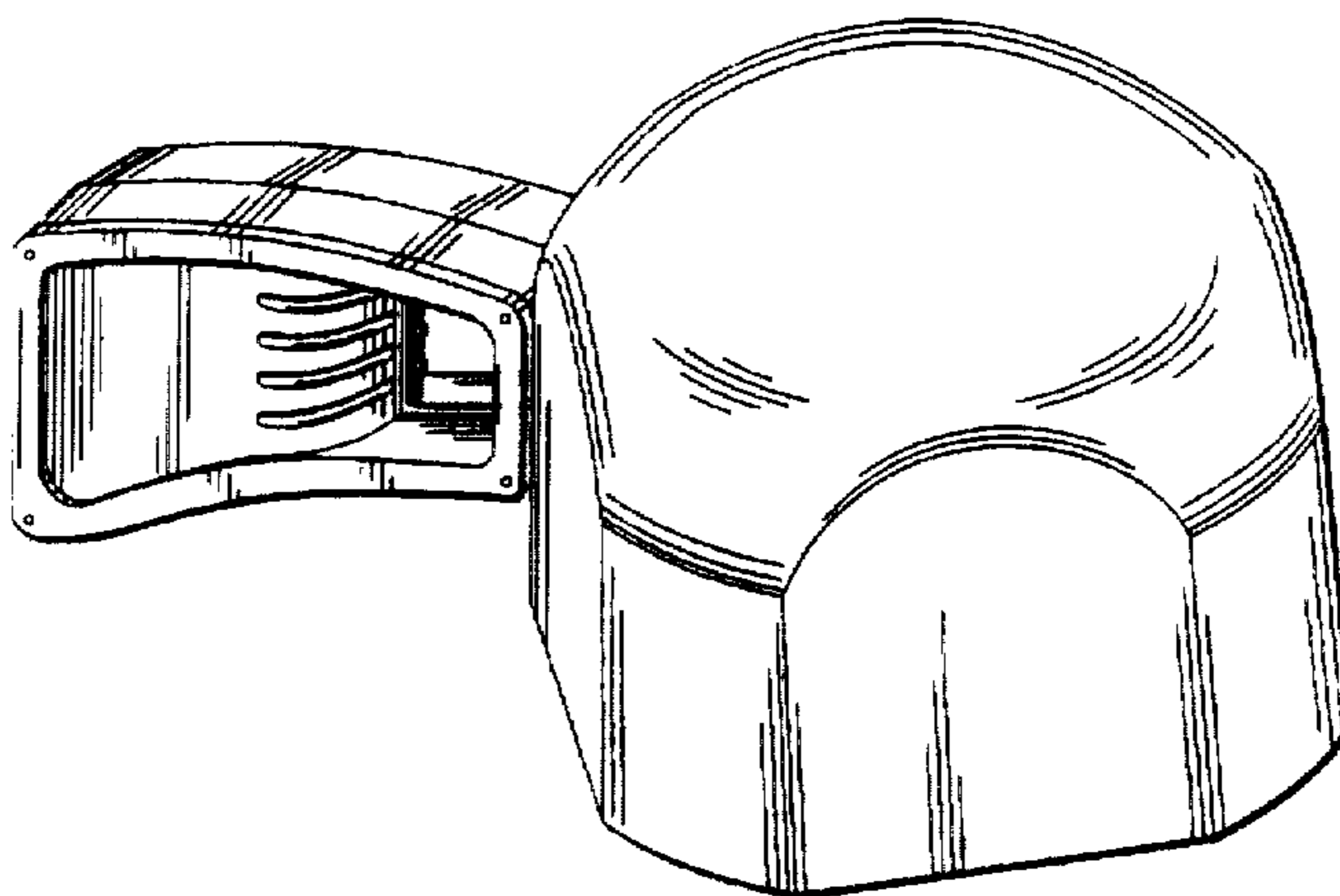
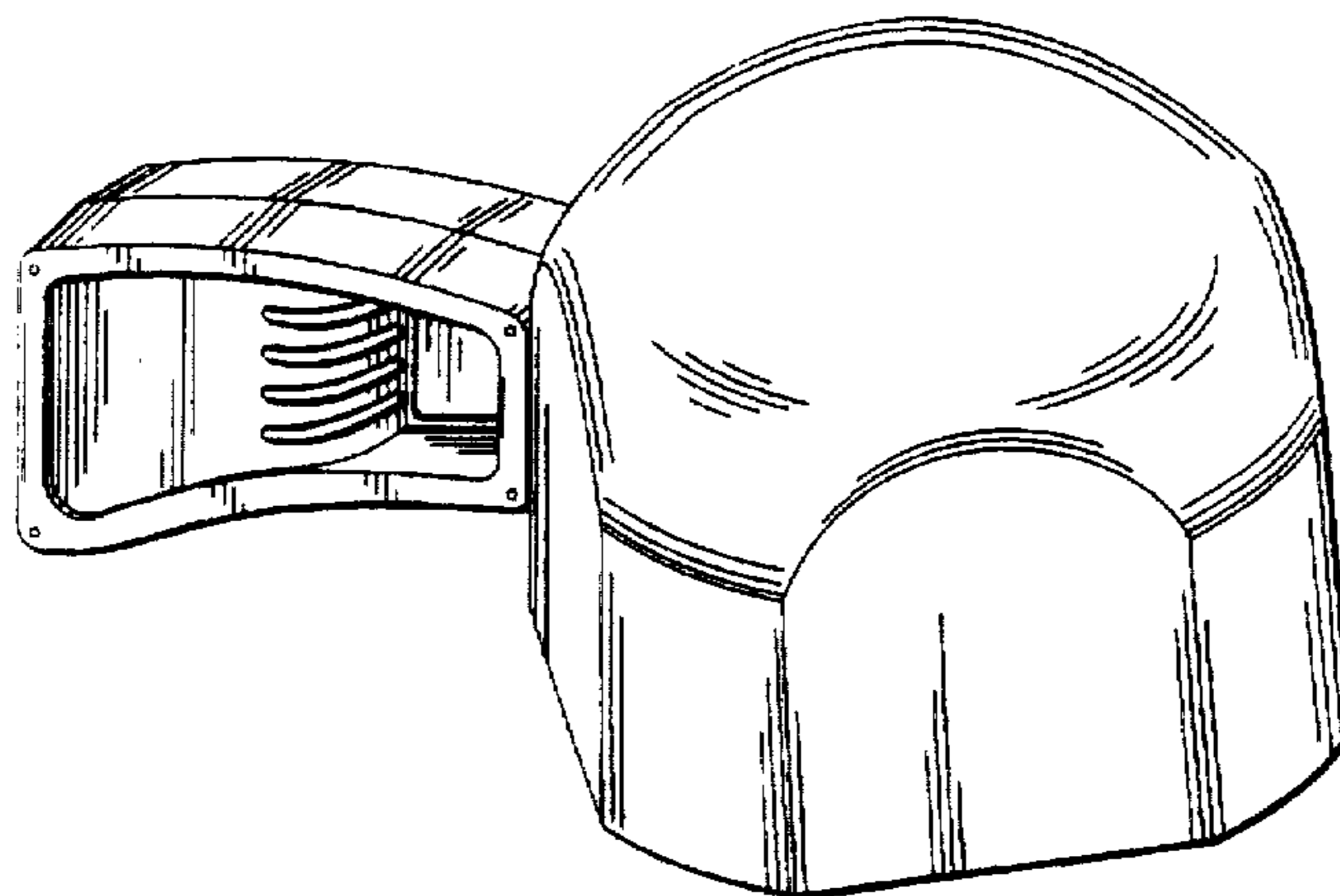
[57] CLAIM

The ornamental design for a parking lot luminaire, as shown and described.

DESCRIPTION

FIG. 1 is a perspective view of a first embodiment of our new design;
 FIG. 2 is a right side elevational view of the first embodiment;
 FIG. 3 is a bottom plan view of the first embodiment;
 FIG. 4 is a top plan view of the first embodiment;
 FIG. 5 is a front elevational view of the first embodiment;
 FIG. 6 is a rear elevational view of the first embodiment;
 FIG. 7 is a perspective view of a second embodiment;
 FIG. 8 is a right side elevational view of the second embodiment;
 FIG. 9 is a bottom plan view of the second embodiment;
 FIG. 10 is a top plan view of the second embodiment;
 FIG. 11 is a front elevational view of the second embodiment; and,
 FIG. 12 is a rear elevational view of the second embodiment.

1 Claim, 4 Drawing Sheets



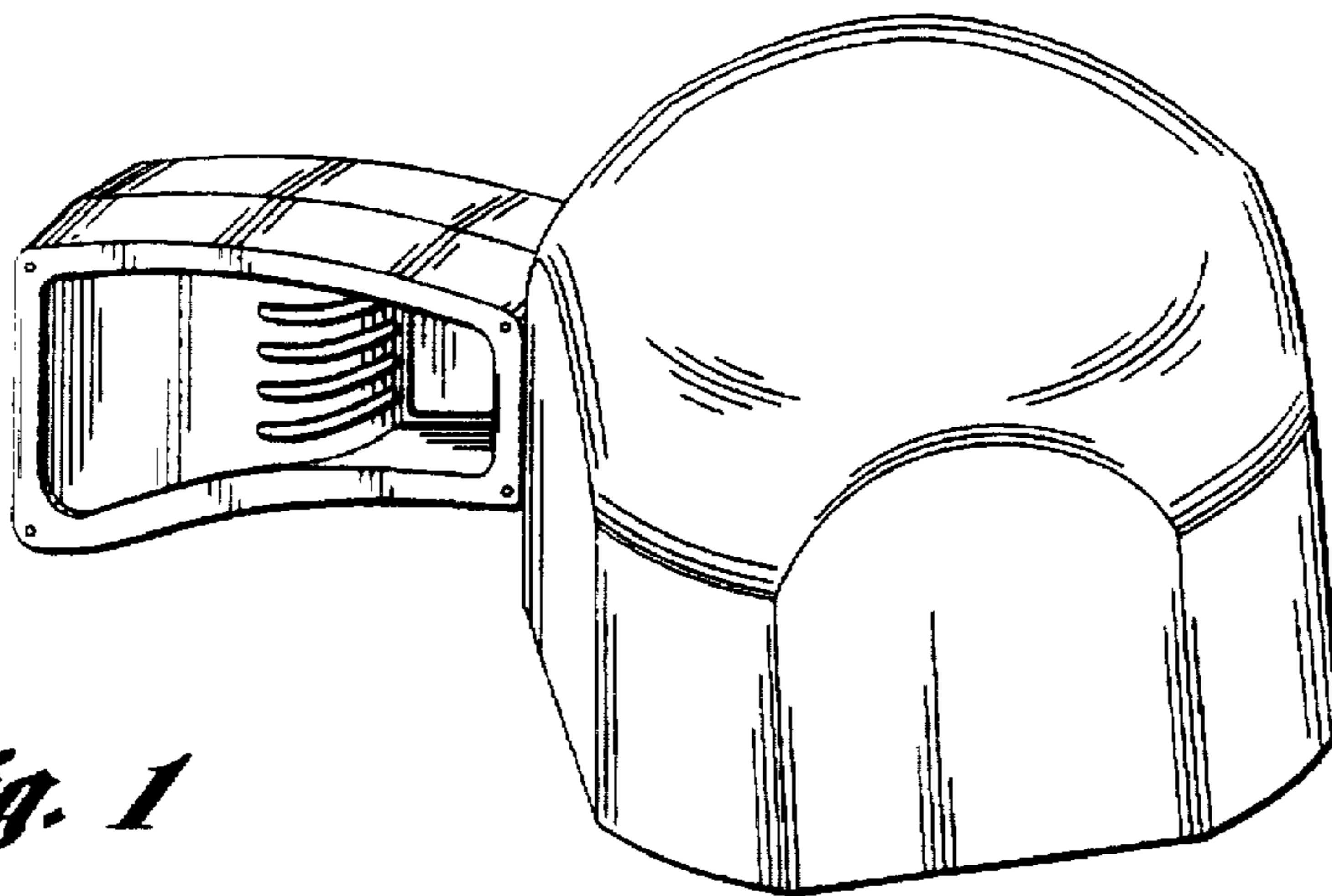


Fig. 1

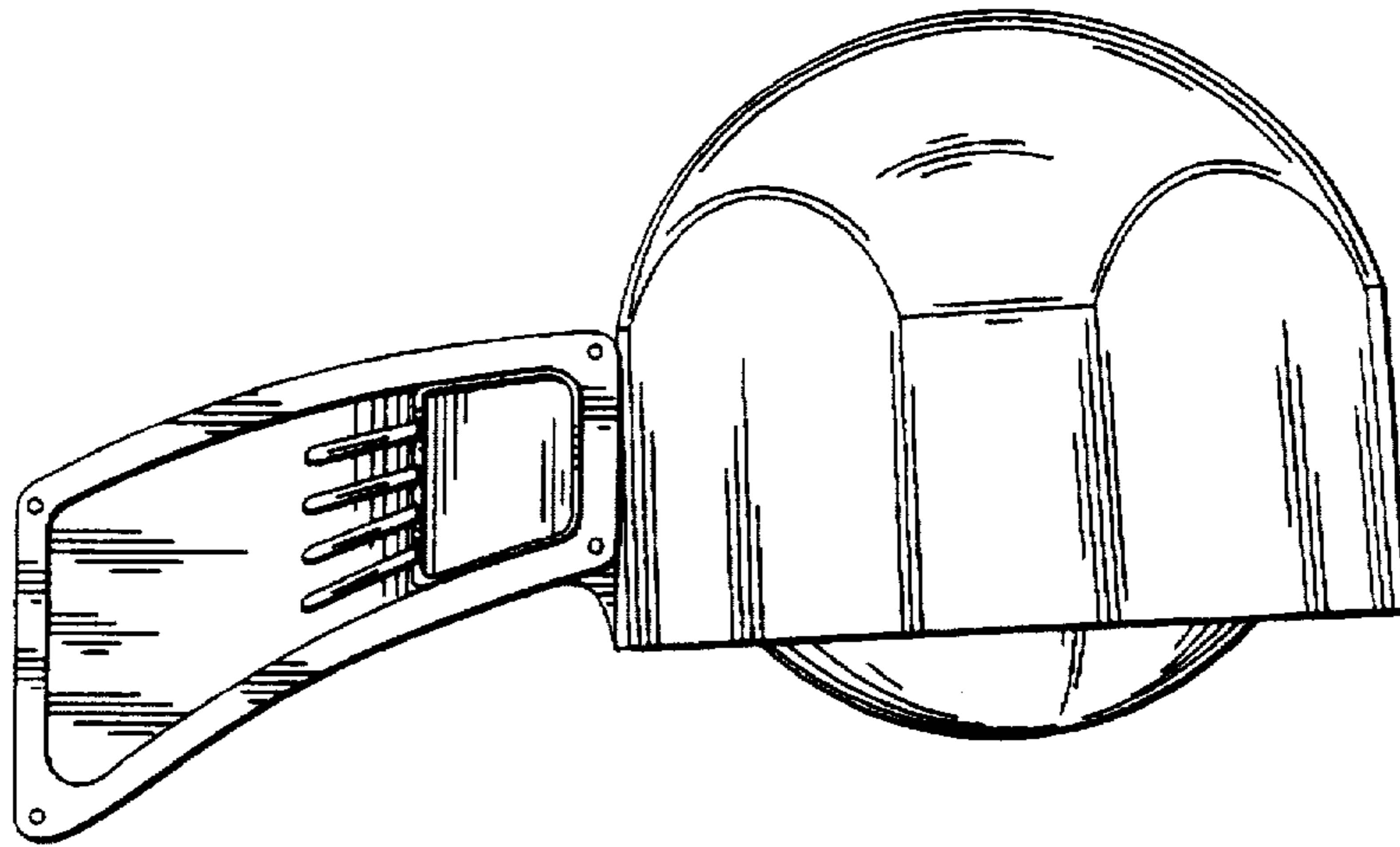


Fig. 2

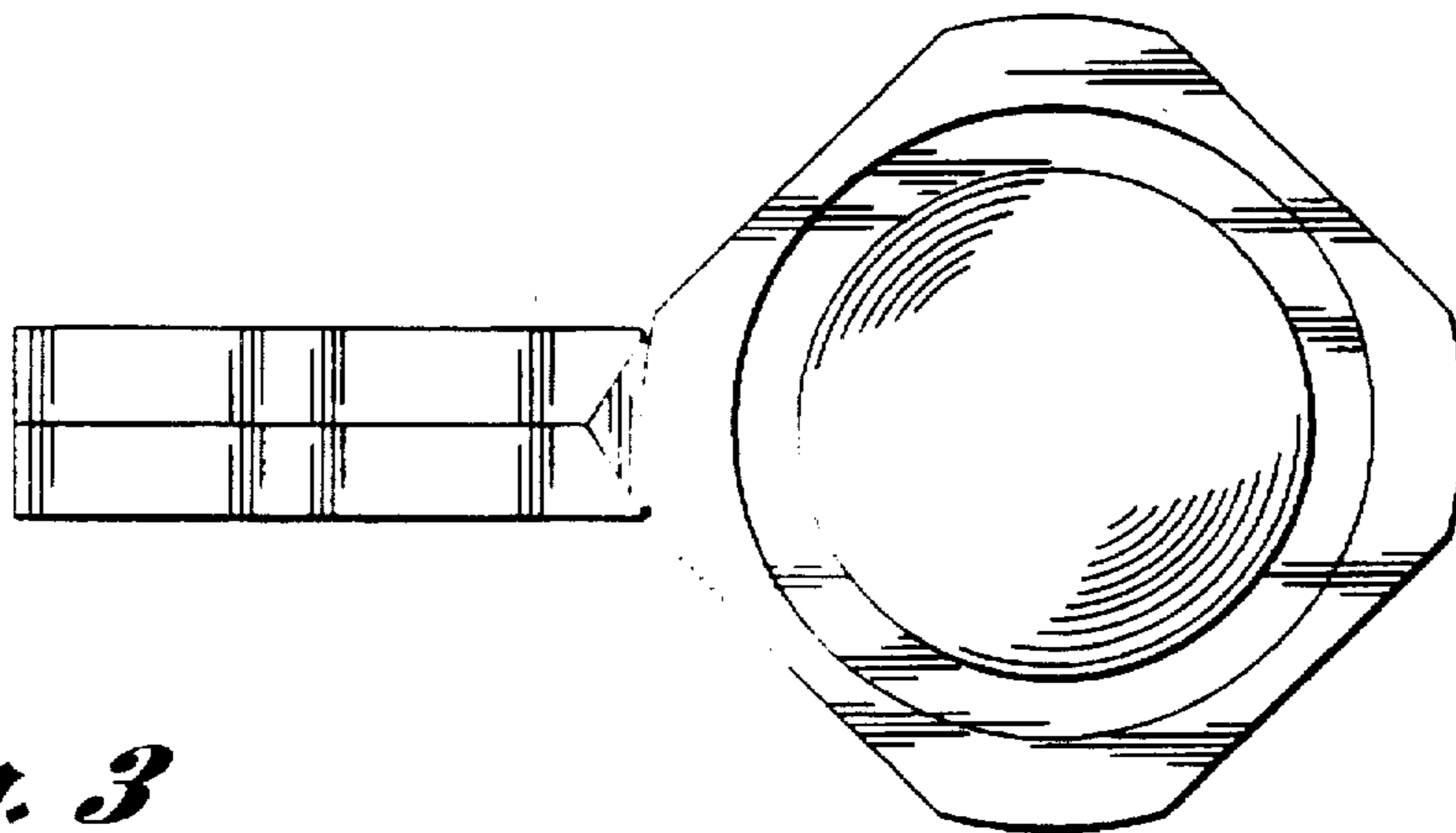


Fig. 3

Fig. 4

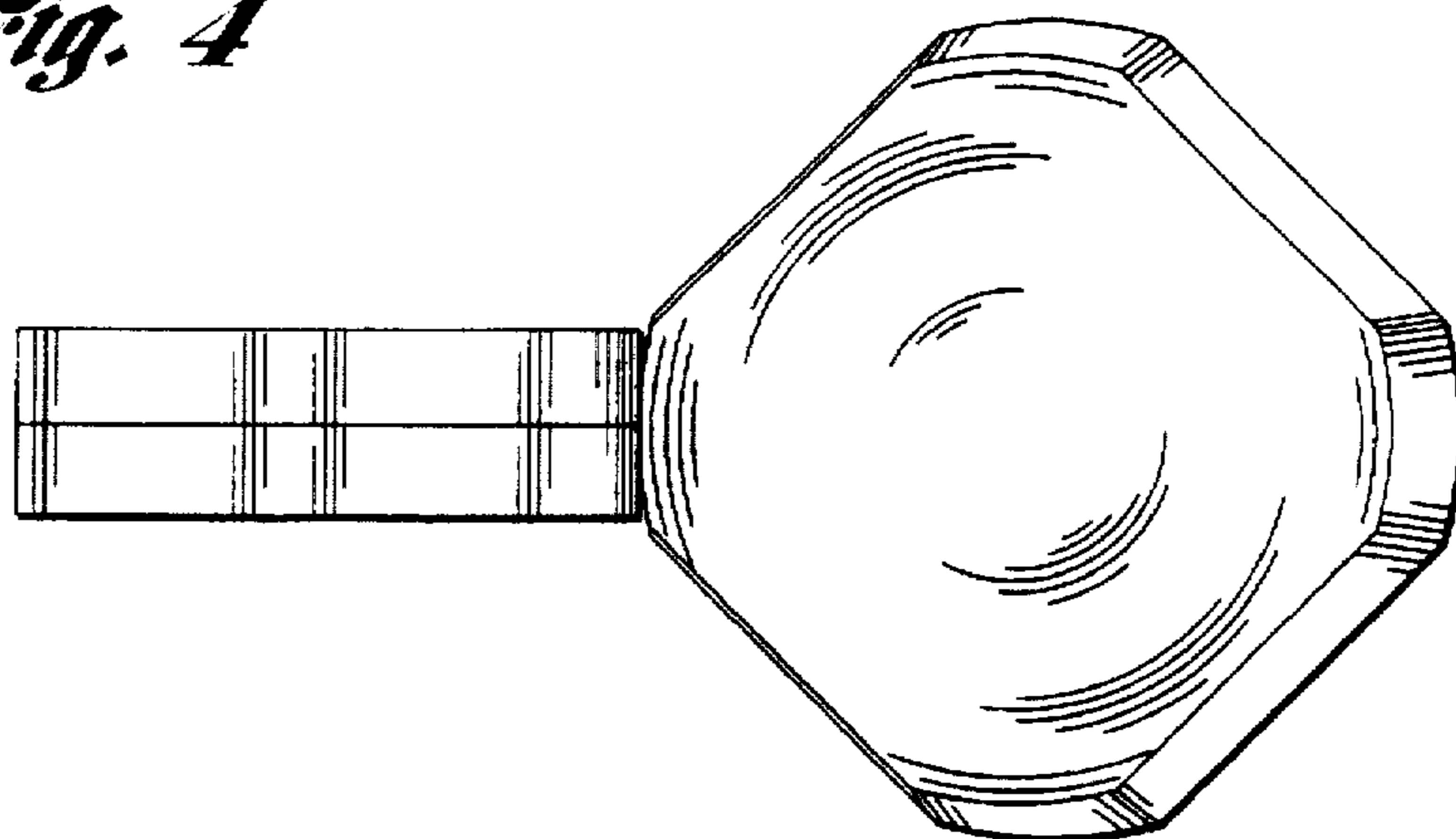


Fig. 5

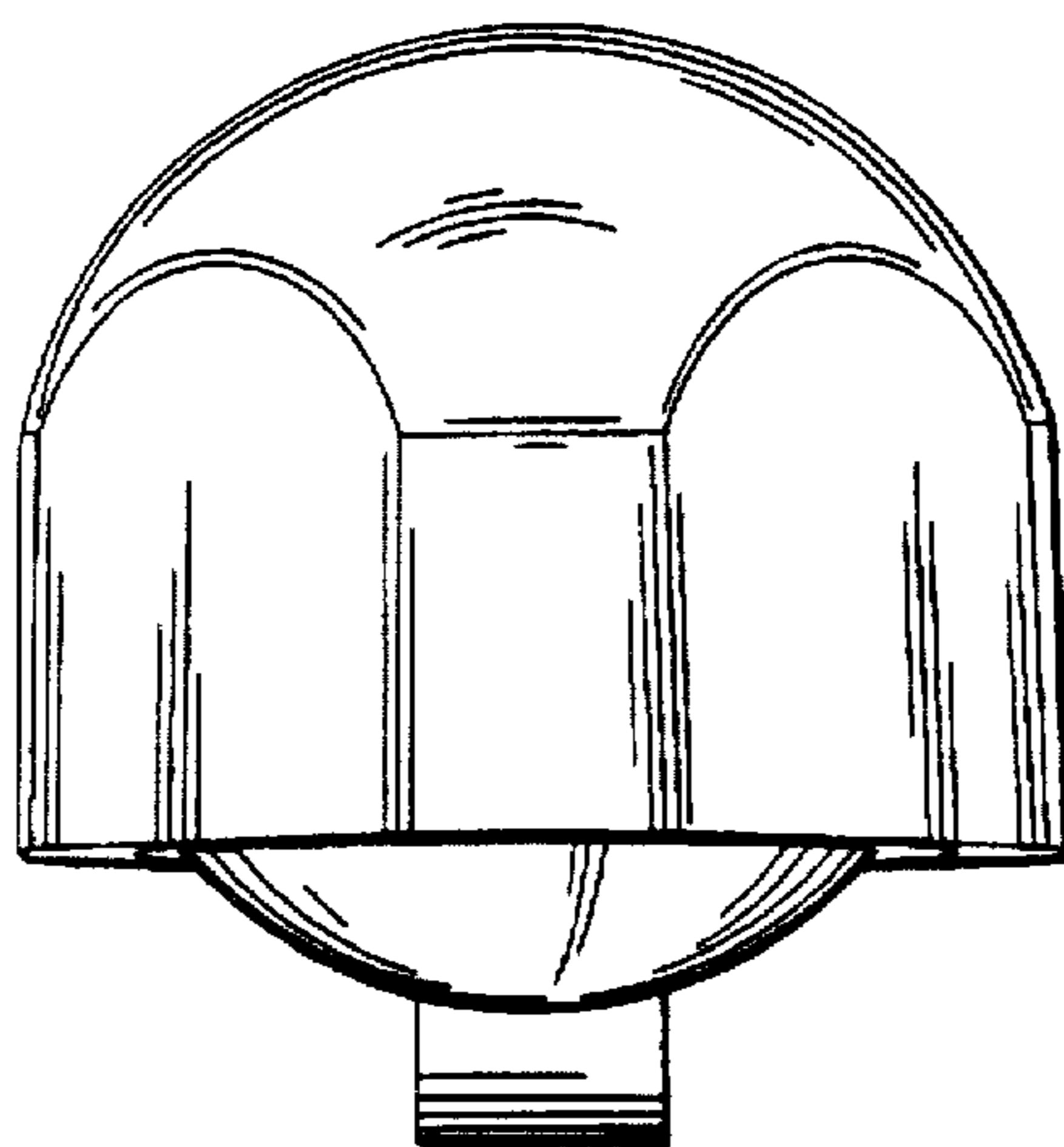
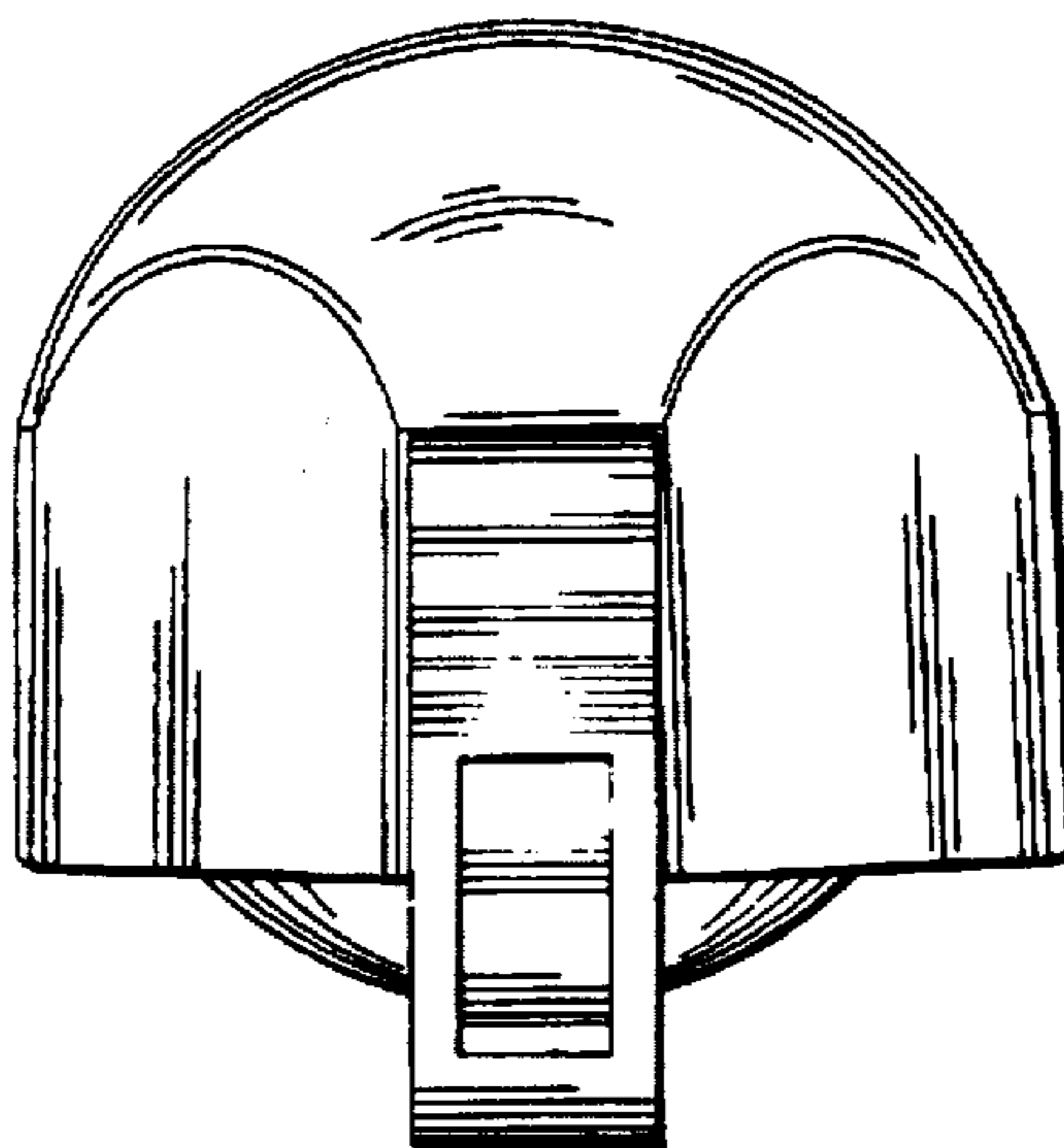


Fig. 6



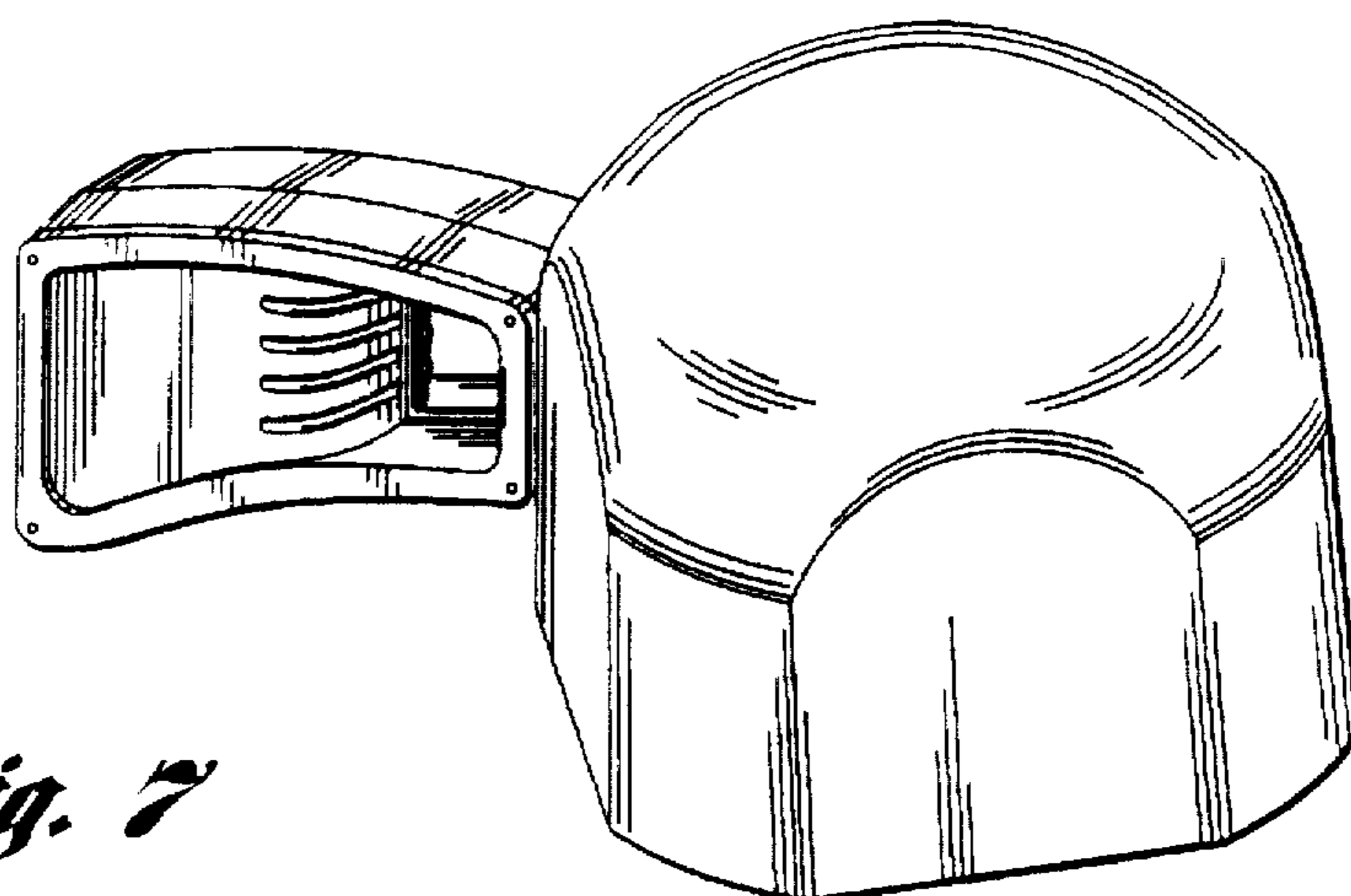


Fig. 7

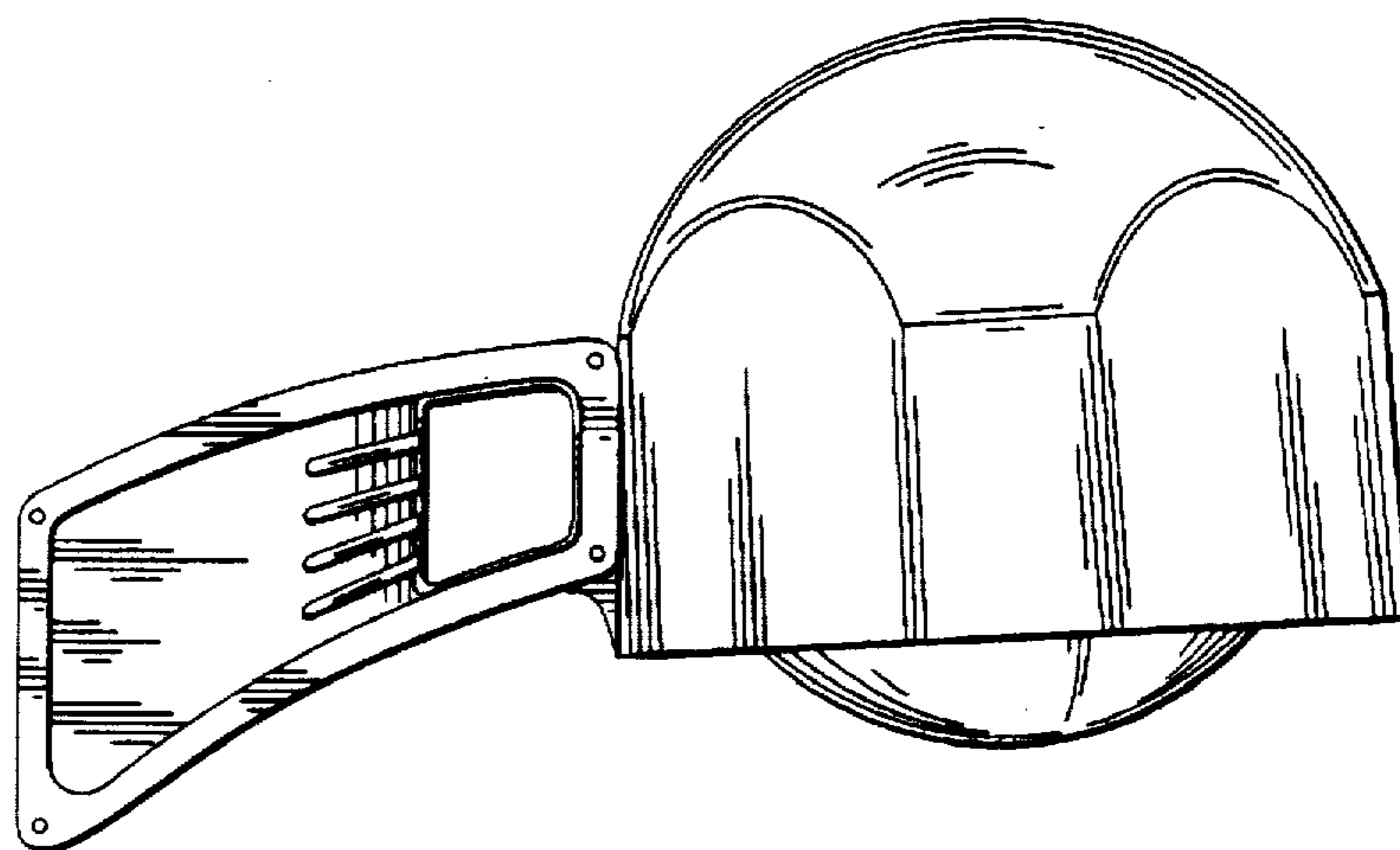


Fig. 8

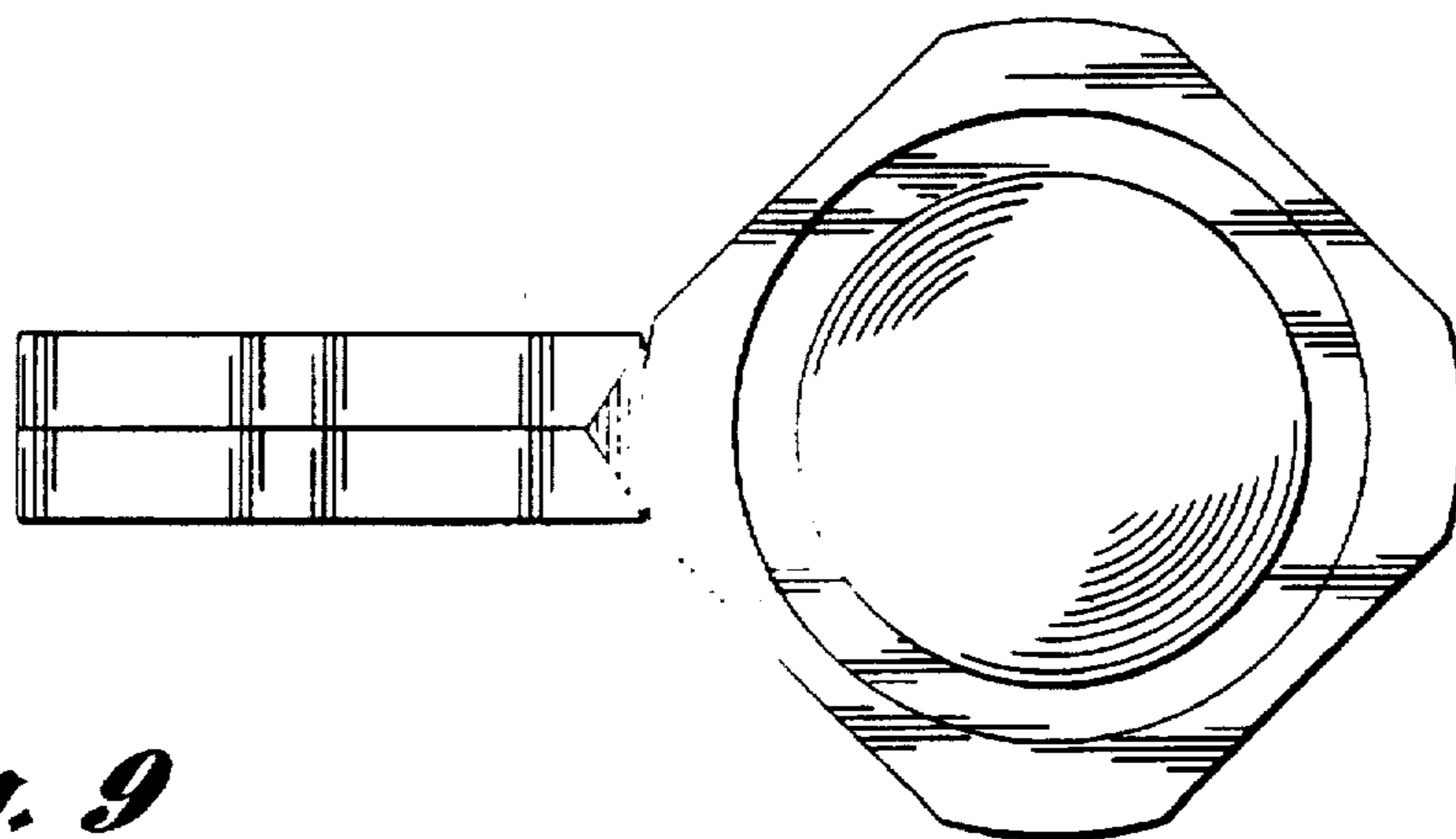


Fig. 9

Fig. 10

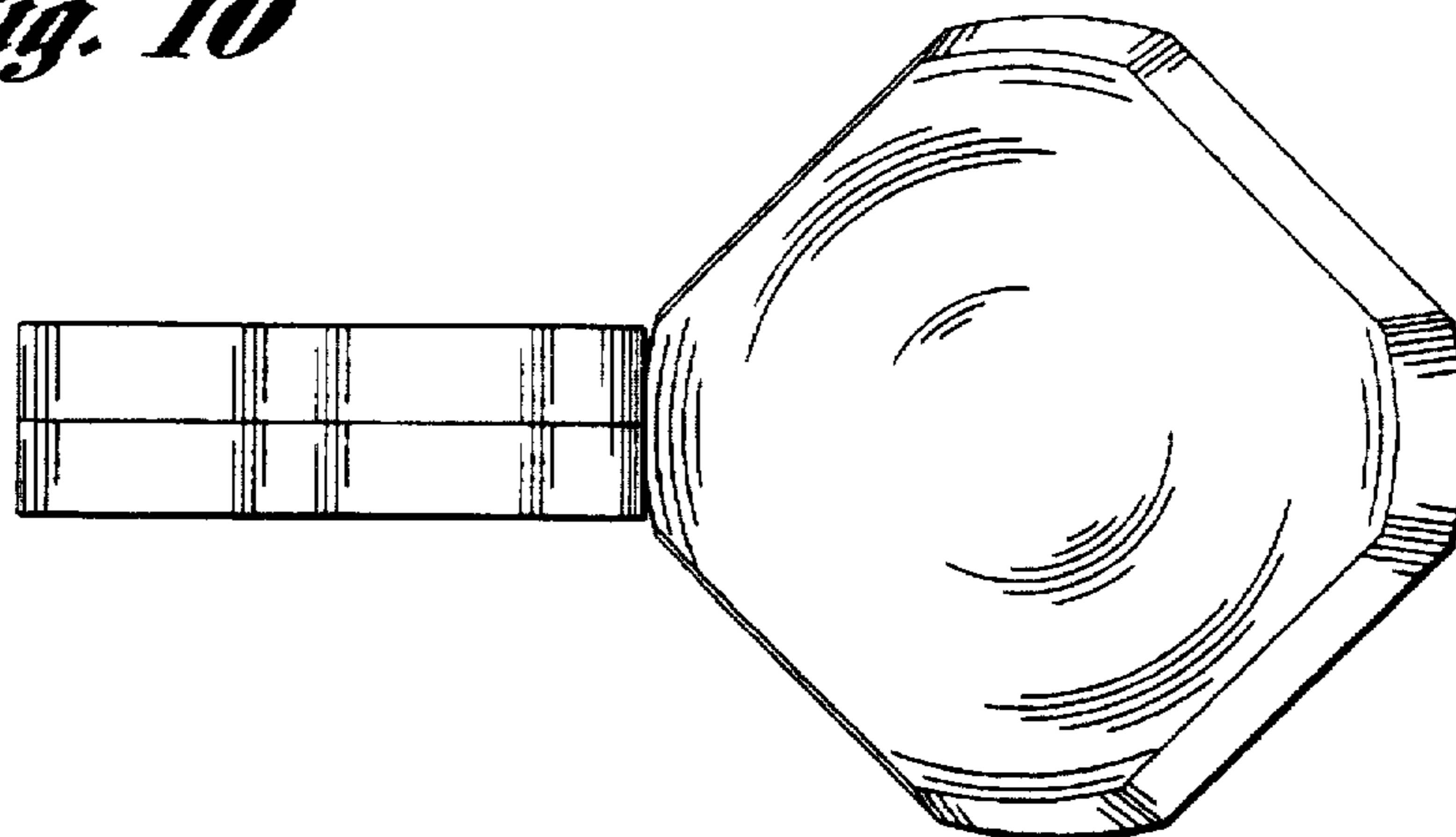


Fig. 11

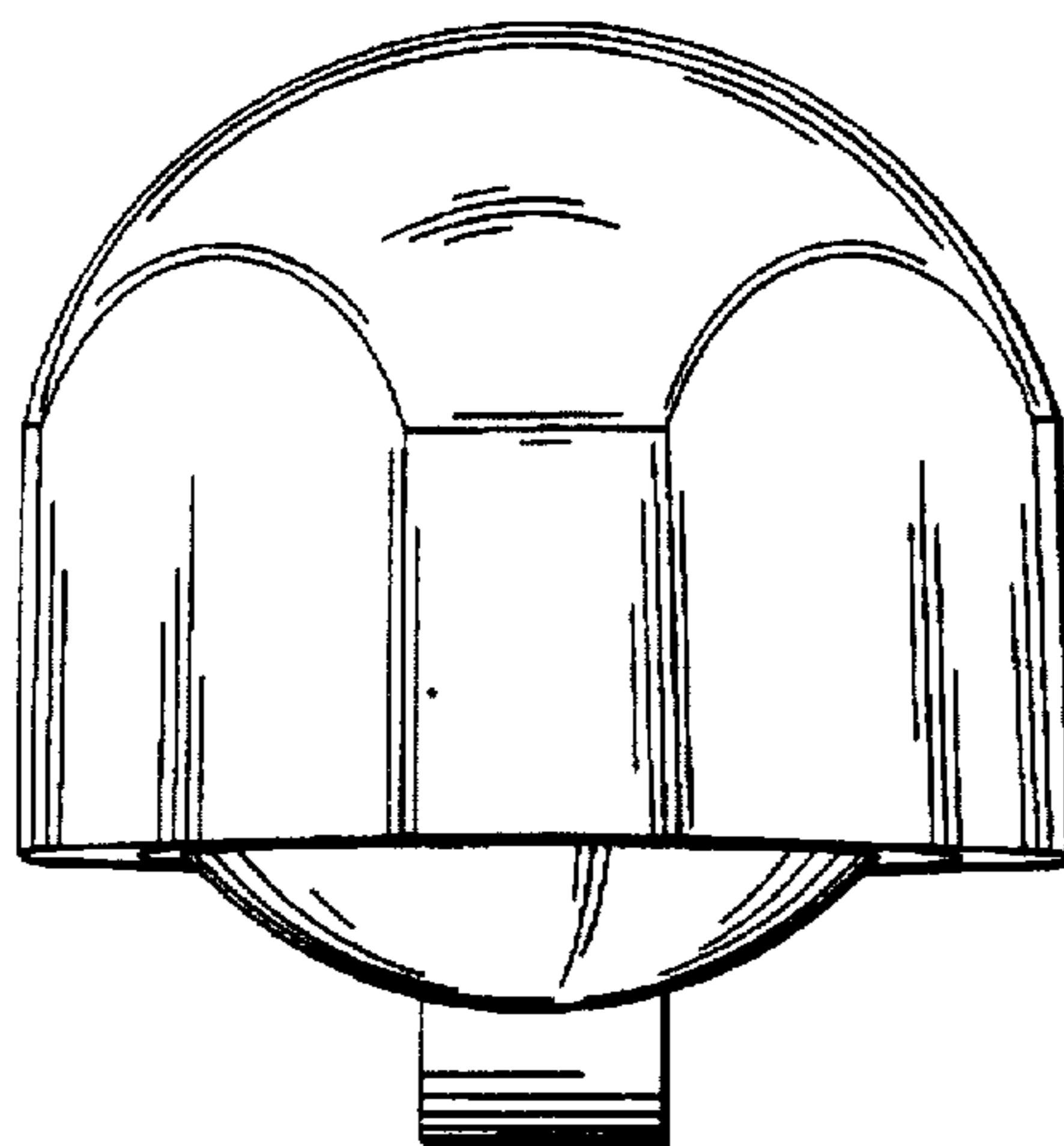


Fig. 12

