

US00D388210S

**United States Patent** [19]  
**Yang**

[11] **Patent Number: Des. 388,210**  
[45] **Date of Patent: \*\*Dec. 23, 1997**

[54] **ADJUSTABLE DESK LAMP**

[75] Inventor: **Roger Yang**, Taipei Hsien, Taiwan

[73] Assignee: **Be-Yang Industrial Corp.**, Taipei Hsien, Taiwan

[\*\*] Term: **14 Years**

[21] Appl. No.: **63,468**

[22] Filed: **Dec. 9, 1996**

[51] LOC (6) Cl. .... **26-05**

[52] U.S. Cl. .... **D26/65**

[58] Field of Search ..... D26/60-64; 362/269, 362/275, 287, 418, 419, 427, 410, 413

[56] **References Cited**

**U.S. PATENT DOCUMENTS**

5,339,233 8/1994 Yang ..... 362/413 X

**OTHER PUBLICATIONS**

L'Architecture D'Aujourd'hui, p. 110, adjustable desk lamp, top left, Group 2900, Sep. 1988.

B. A. Pargh catalog, p. 111, Tensor "Twister" desk lamp shade, Group 2900, 1985.

*Primary Examiner*—Susan J. Lucas

*Attorney, Agent, or Firm*—Lowe, Price, LeBlanc & Becker

[57] **CLAIM**

The ornamental design for an adjustable desk lamp, as shown and described.

**DESCRIPTION**

FIG. 1 is a perspective view thereof;

FIG. 2 is a front view thereof;

FIG. 3 is a rear view thereof;

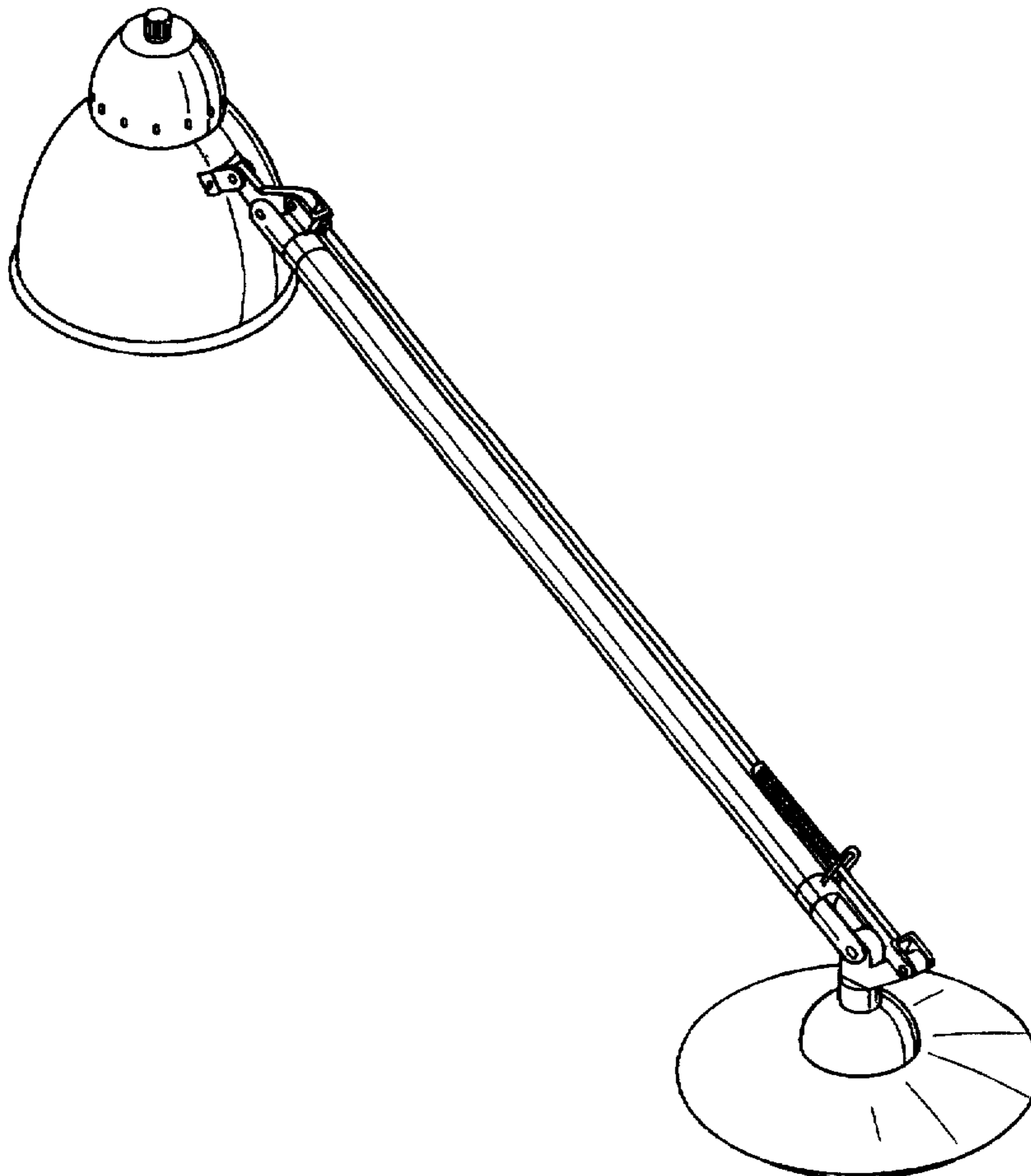
FIG. 4 is a left side view thereof;

FIG. 5 is a right side view thereof;

FIG. 6 is a top view thereof; and,

FIG. 7 is a bottom view thereof.

**1 Claim, 5 Drawing Sheets**



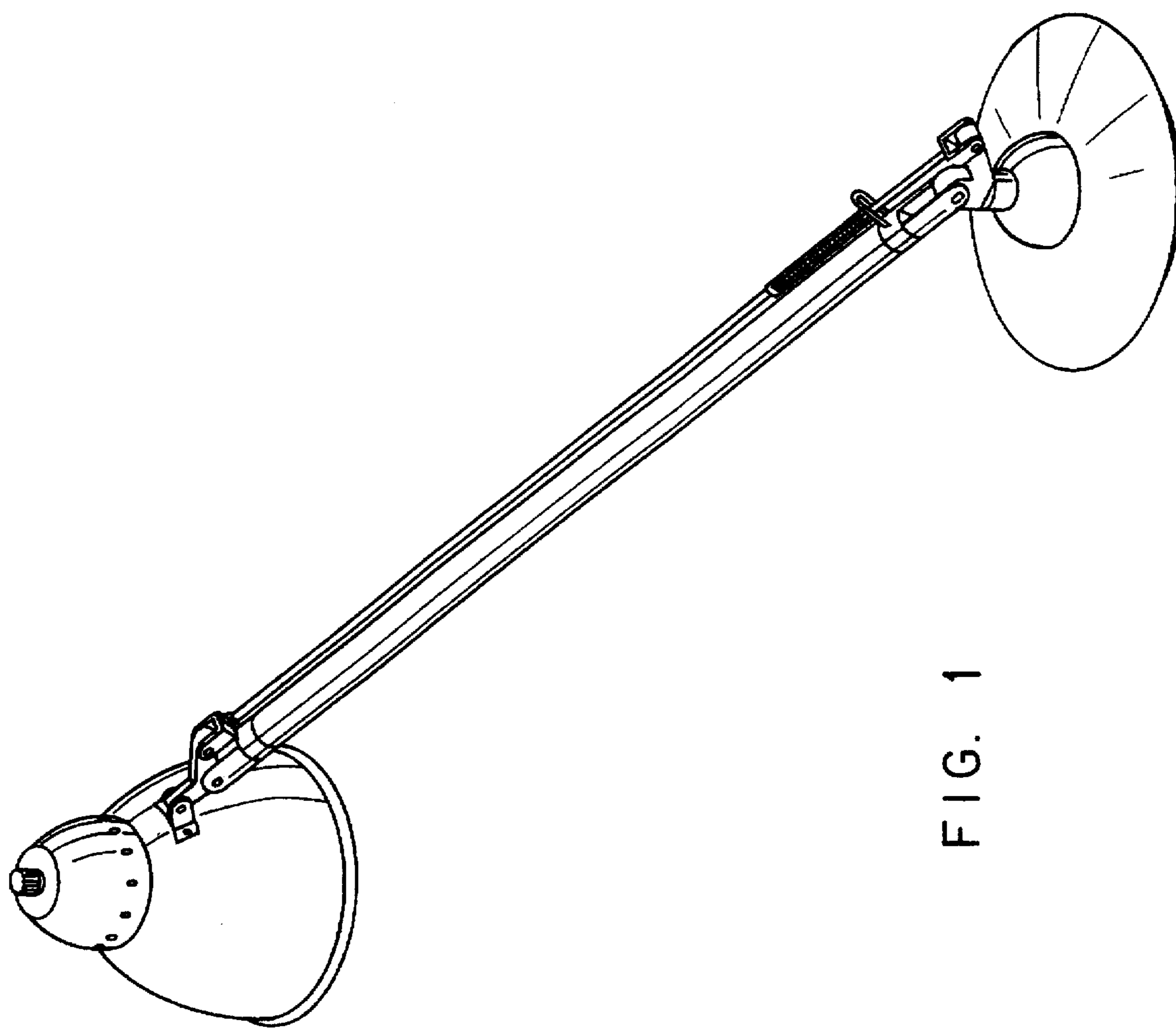


FIG. 1

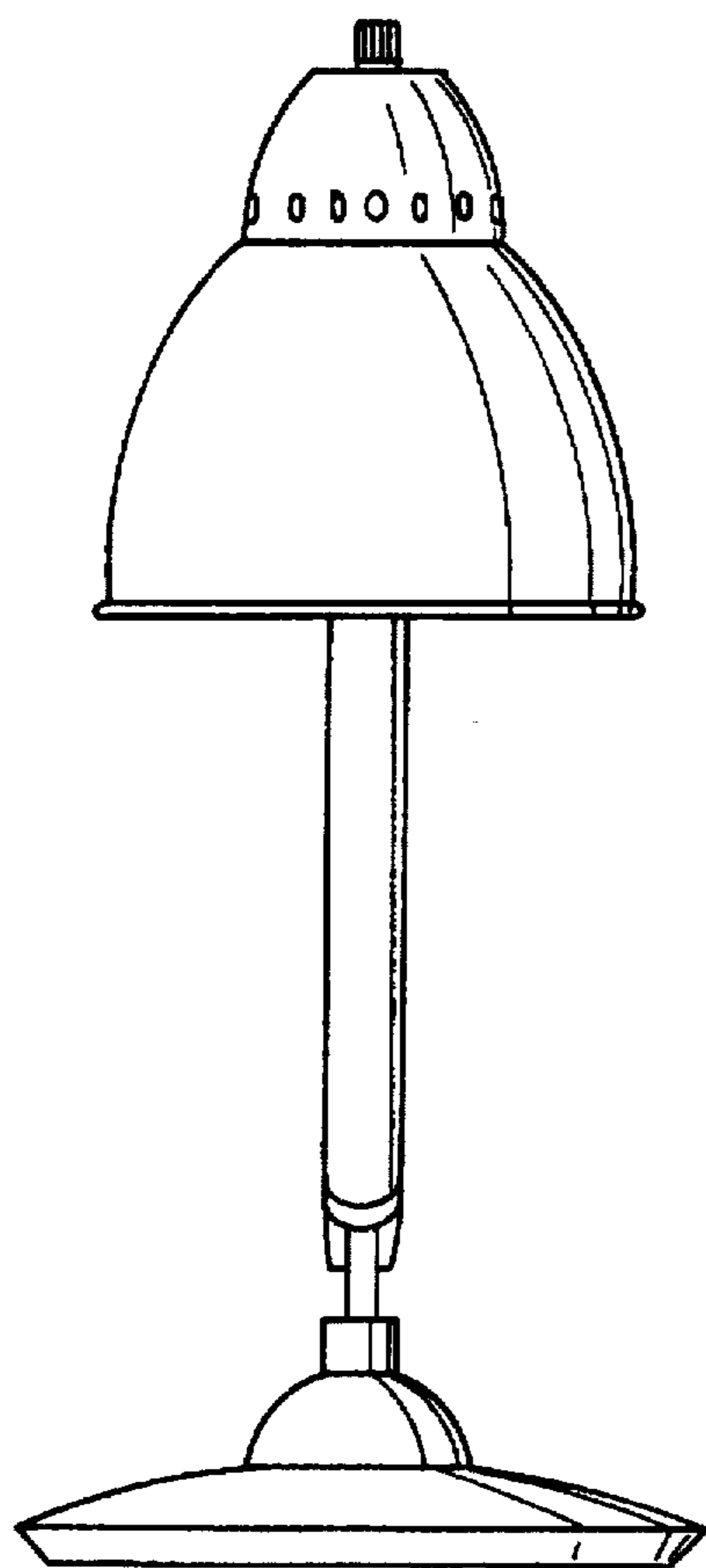


FIG. 2

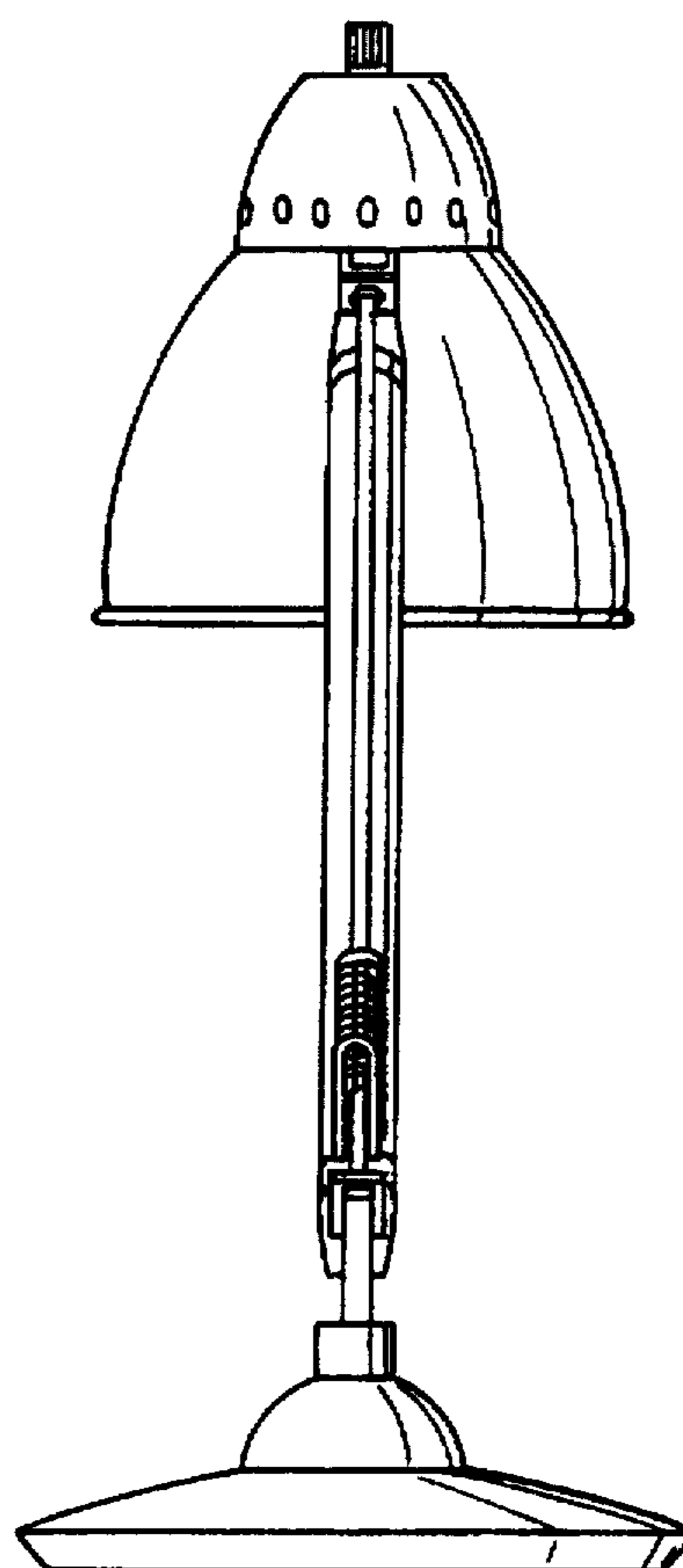


FIG. 3

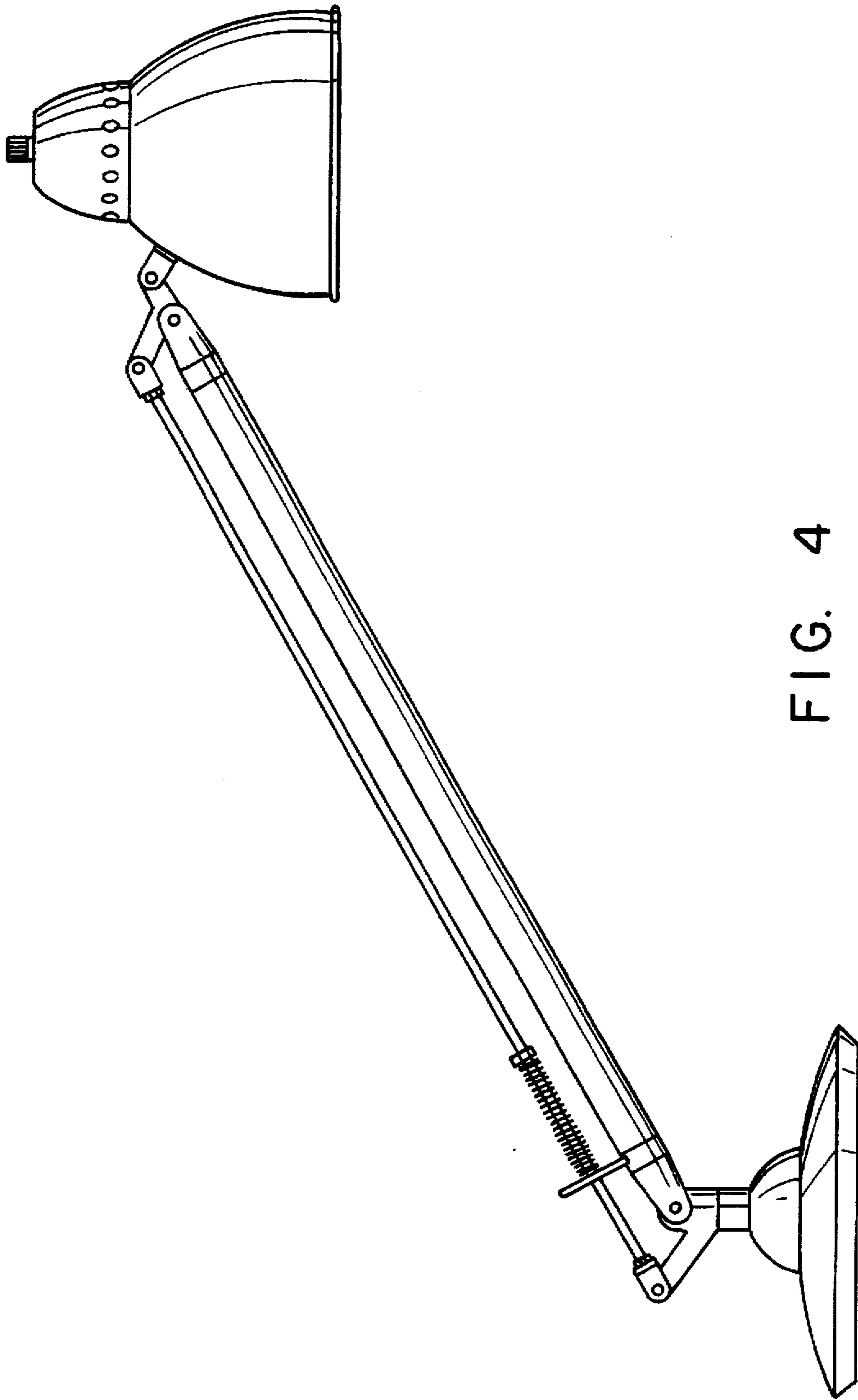


FIG. 4

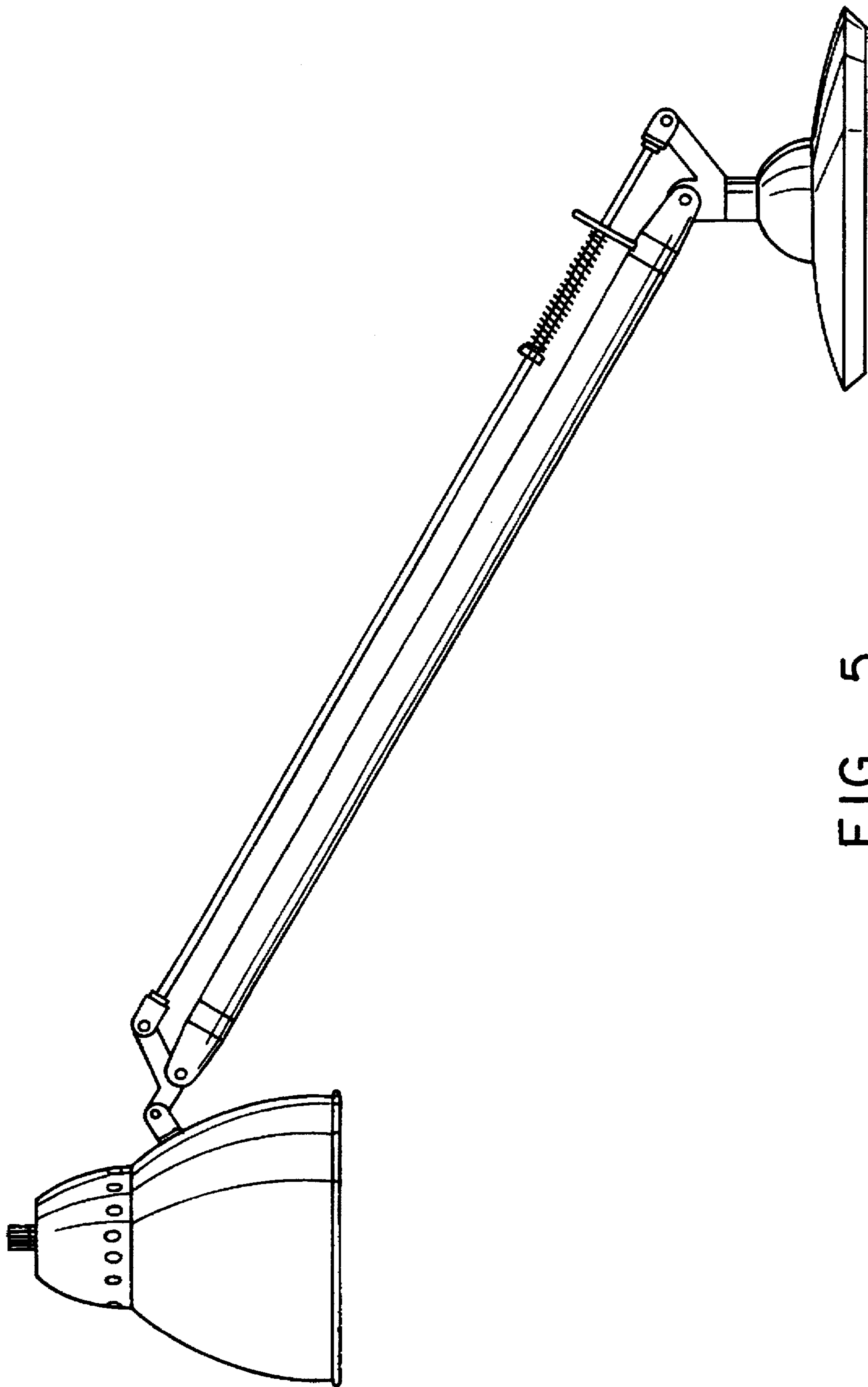


FIG. 5

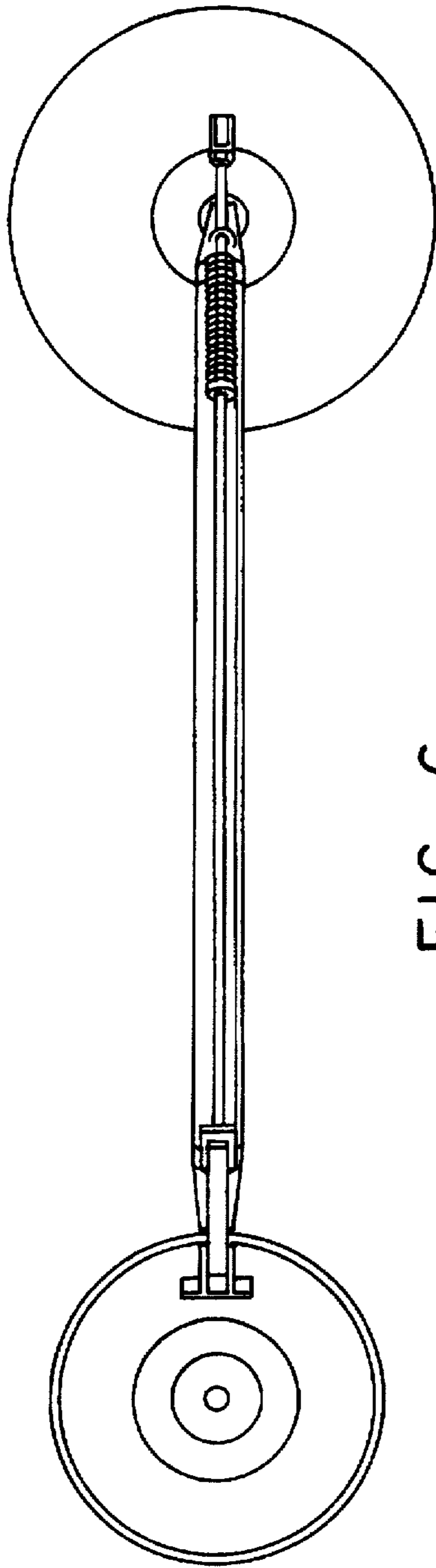


FIG. 6

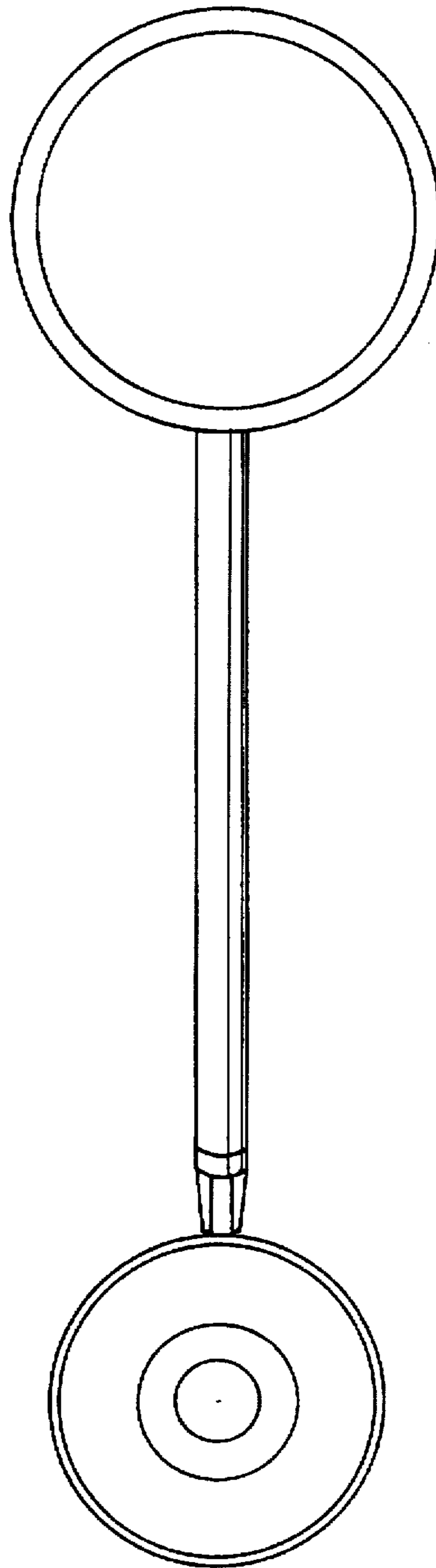


FIG. 7