

US00D388209S

United States Patent [19]

[11] Patent Number: Des. 388,209

Grossman et al.

[45] Date of Patent: **Dec. 23, 1997

[54] WORK LIGHT FIXTURE

OTHER PUBLICATIONS

[75] Inventors: **M. Gary Grossman**, Riverside, Conn.;
Edward H. Meisner, Short Hills, N.J.;
Michael P. Ballone, New Providence,
N.J.; **John E. Kiely**, Morristown, N.J.

Home Lighting and Accessories, p. 92, portable work light,
Dec. 1992.

Primary Examiner—Susan J. Lucas
Attorney, Agent, or Firm—Olive & Olive, P.A.

[73] Assignee: **Regent Lighting Corporation**,
Burlington, N.C.

[57] CLAIM

[**] Term: **14 Years**

The ornamental design for a “work light fixture”, as shown
and described.

[21] Appl. No.: **61,592**

DESCRIPTION

[22] Filed: **Oct. 25, 1996**

FIG. 1 is a perspective view of the invention showing our
new design;

[51] LOC (6) Cl. **26-05**

FIG. 2 is a front elevation view thereof;

[52] U.S. Cl. **D26/63**

FIG. 3 is a right elevation view thereof;

[58] Field of Search D26/60-65, 118,
D26/119; 362/269, 275, 287, 410, 413,
418, 419, 427, 376, 377, 378

FIG. 4 is a back elevation view thereof;

FIG. 5 is a left elevation view thereof;

FIG. 6 is a top plan view thereof;

FIG. 7 is a bottom plan view thereof.

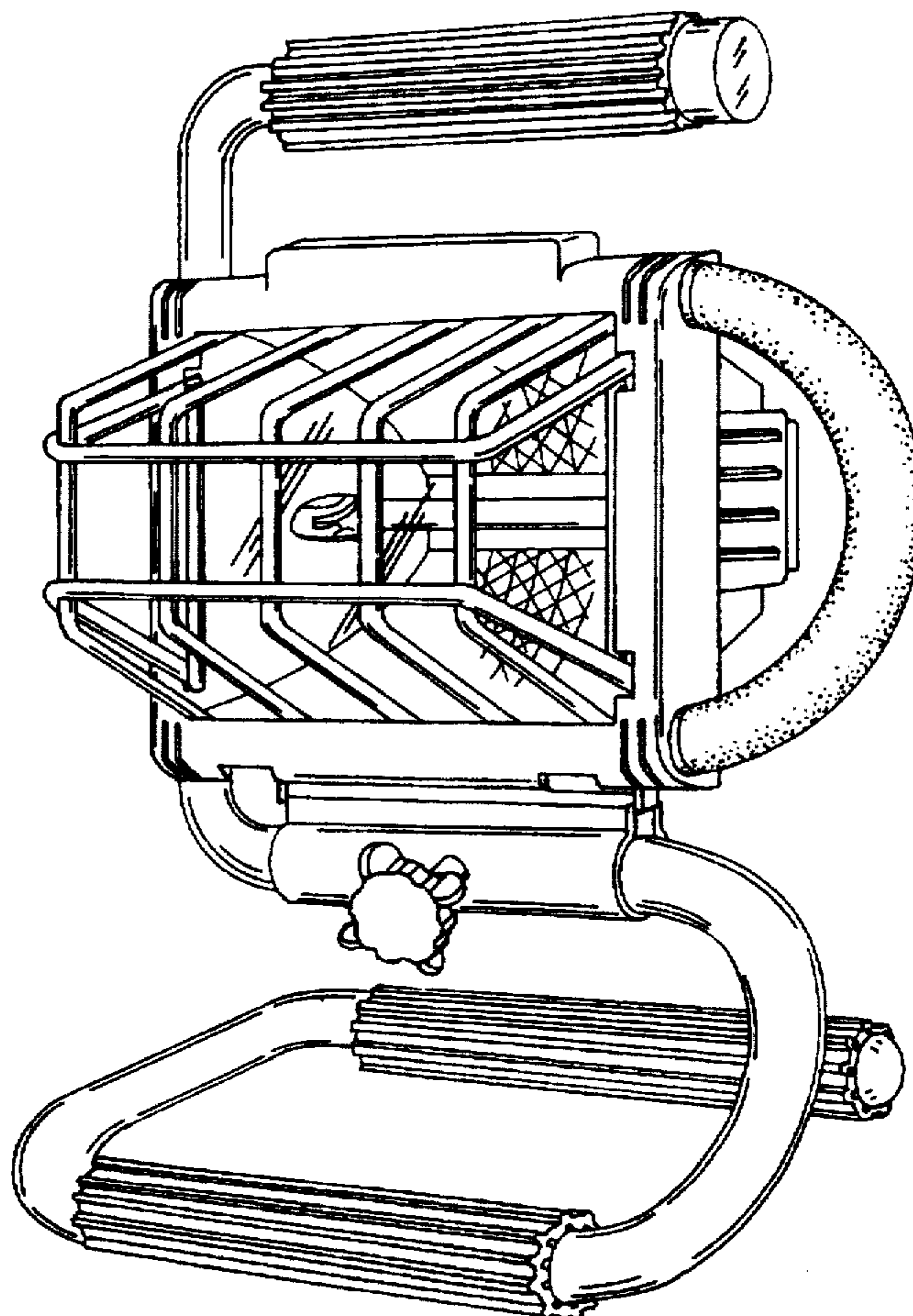
[56] References Cited

The surface pattern shown on the interior surface behind the
transparent lens, is partially shown for convenience of
illustration, it be understood that the pattern is uniformly
continuous over said surface.

U.S. PATENT DOCUMENTS

D. 375,377	11/1996	Leen	D26/63
5,243,507	9/1993	Atkins et al.	362/376
5,455,756	10/1995	Sumer et al.	362/376

1 Claim, 4 Drawing Sheets



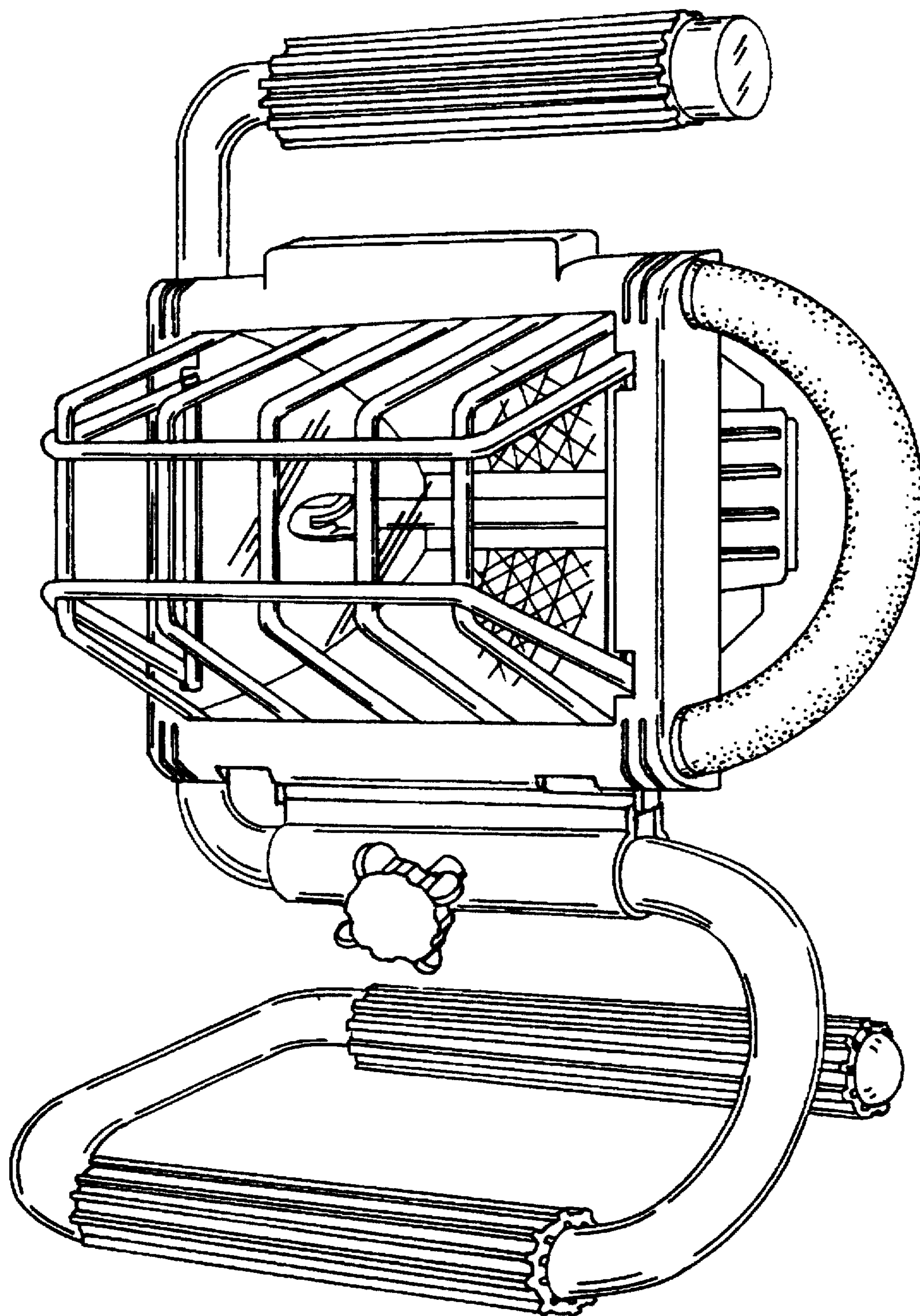


FIG. 1

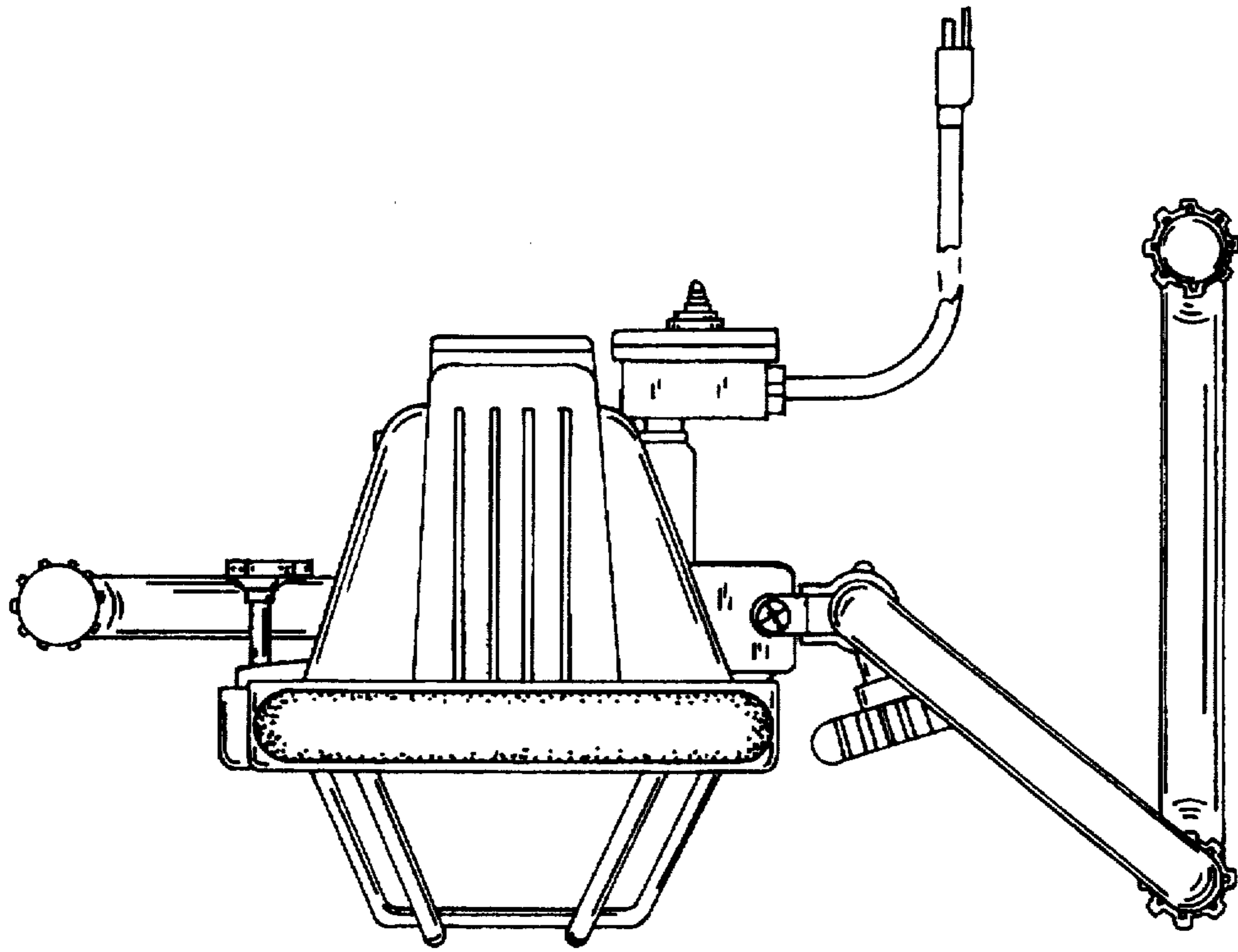


FIG. 3

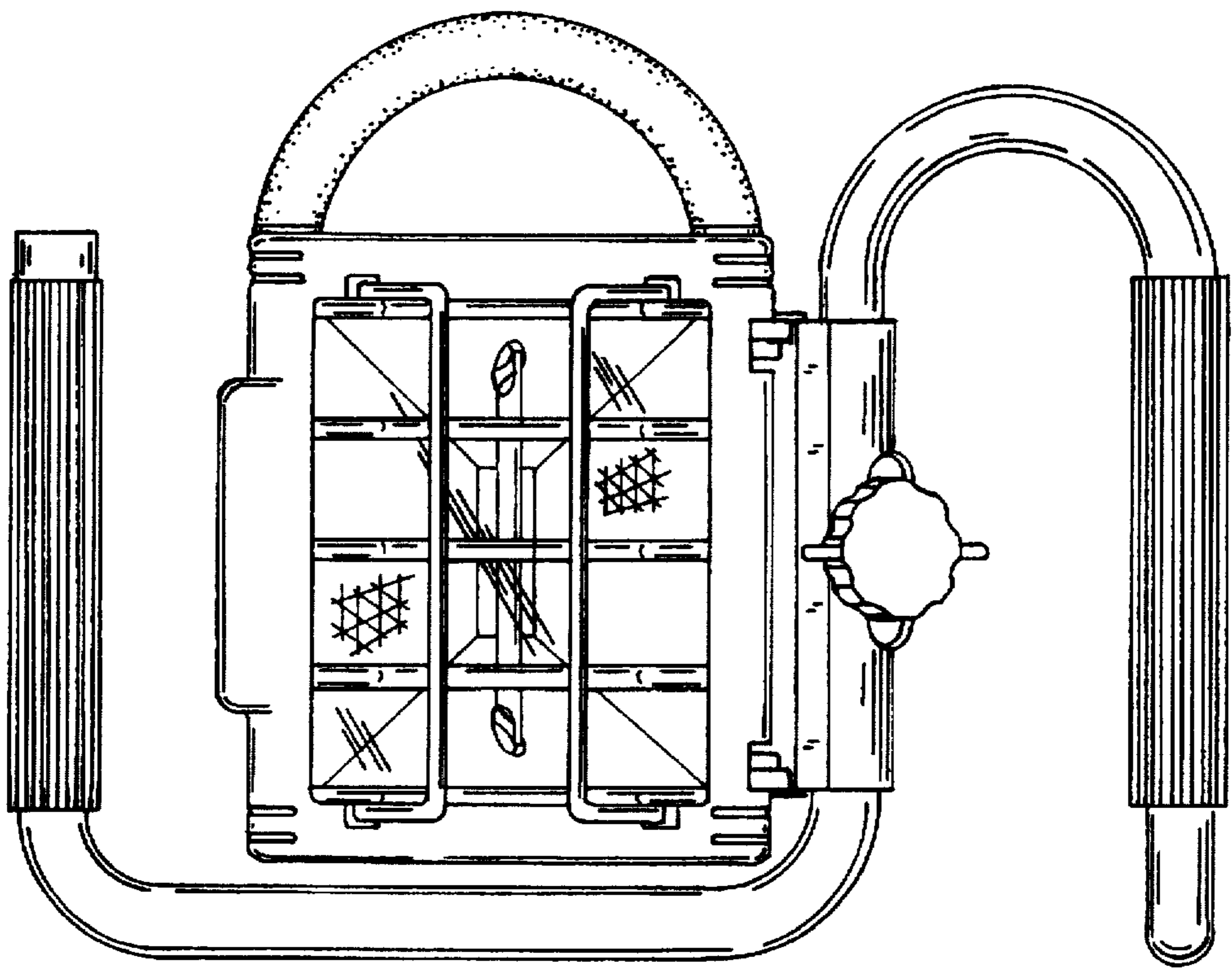


FIG. 2

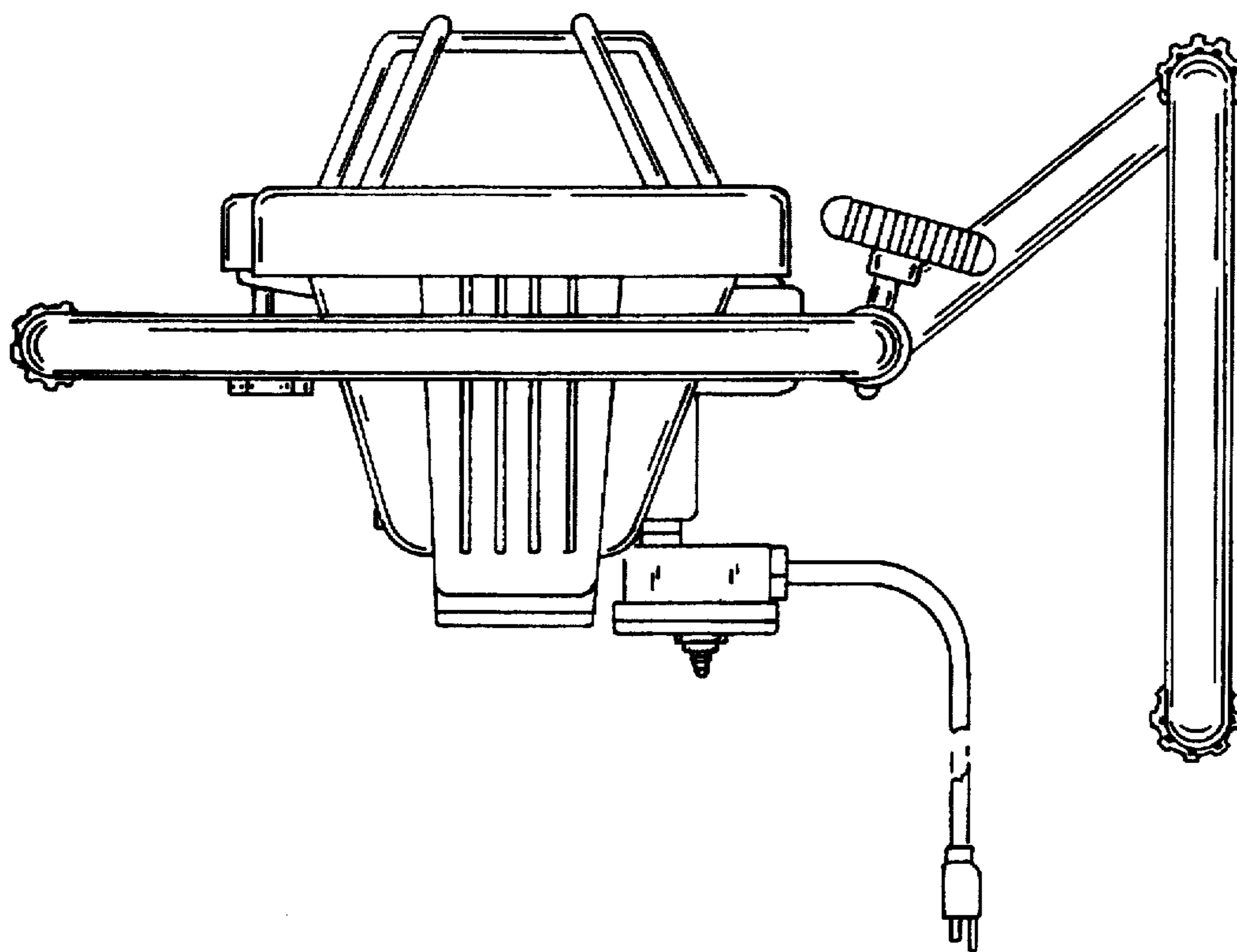


FIG. 5

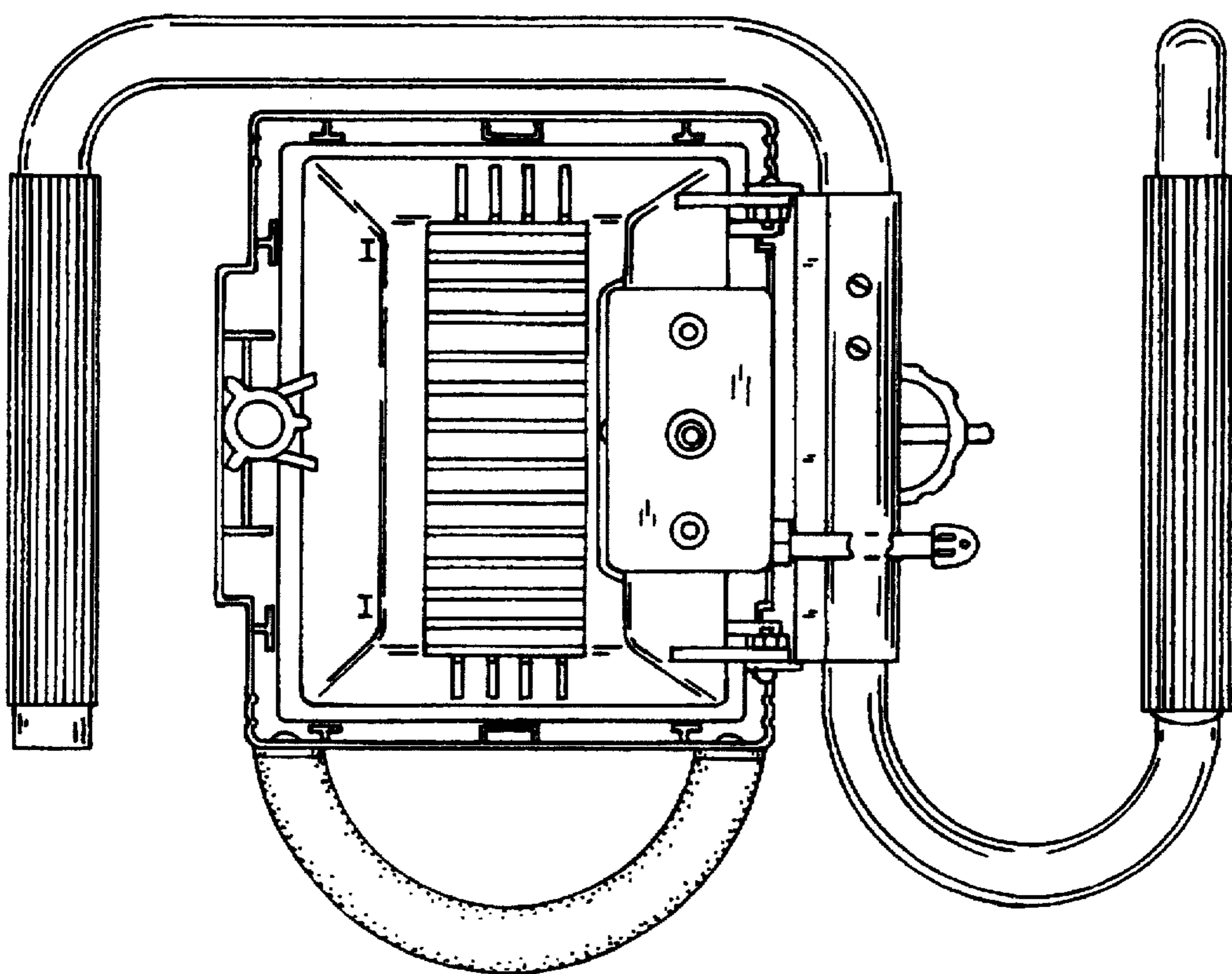


FIG. 4

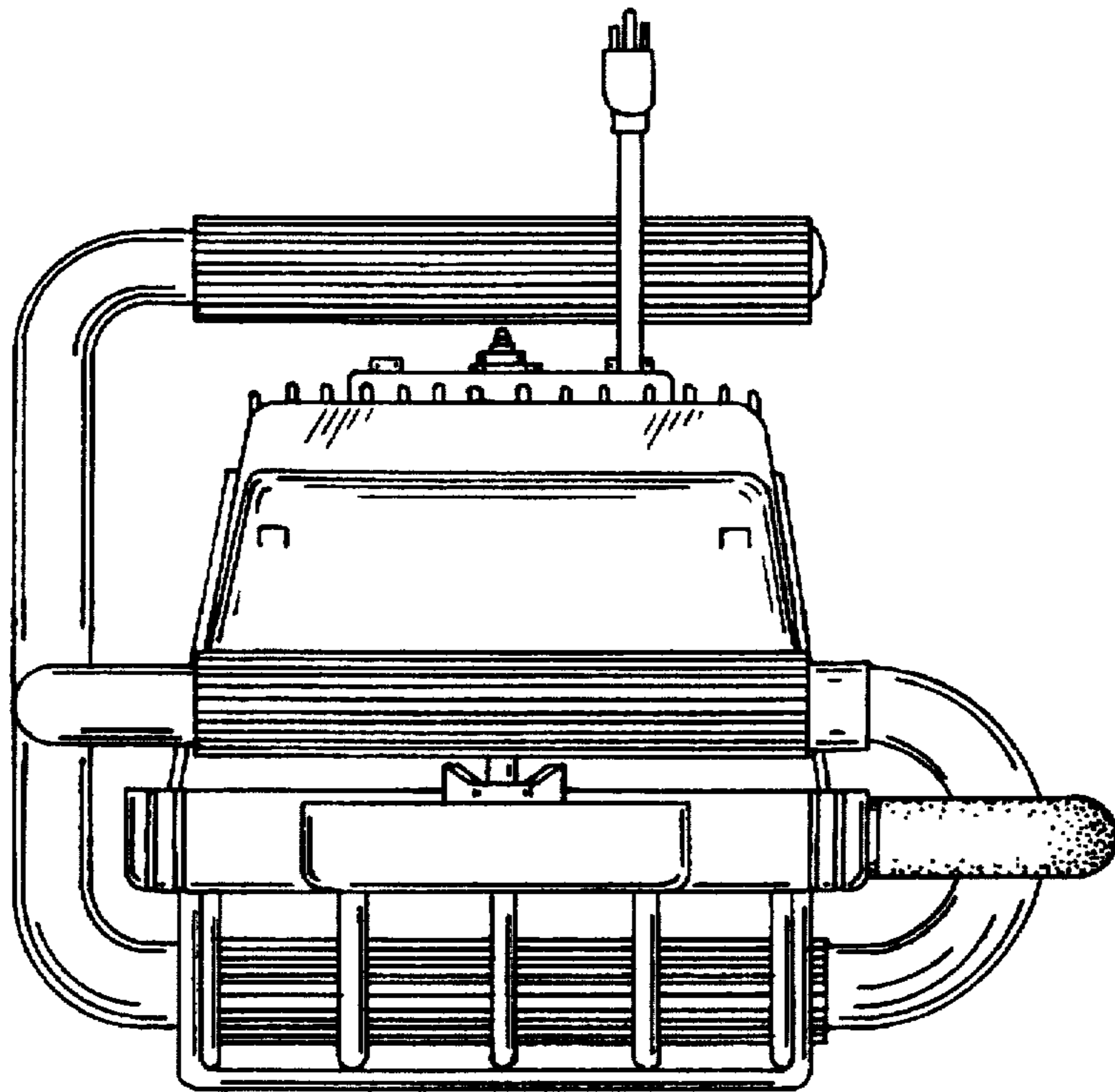


FIG. 6

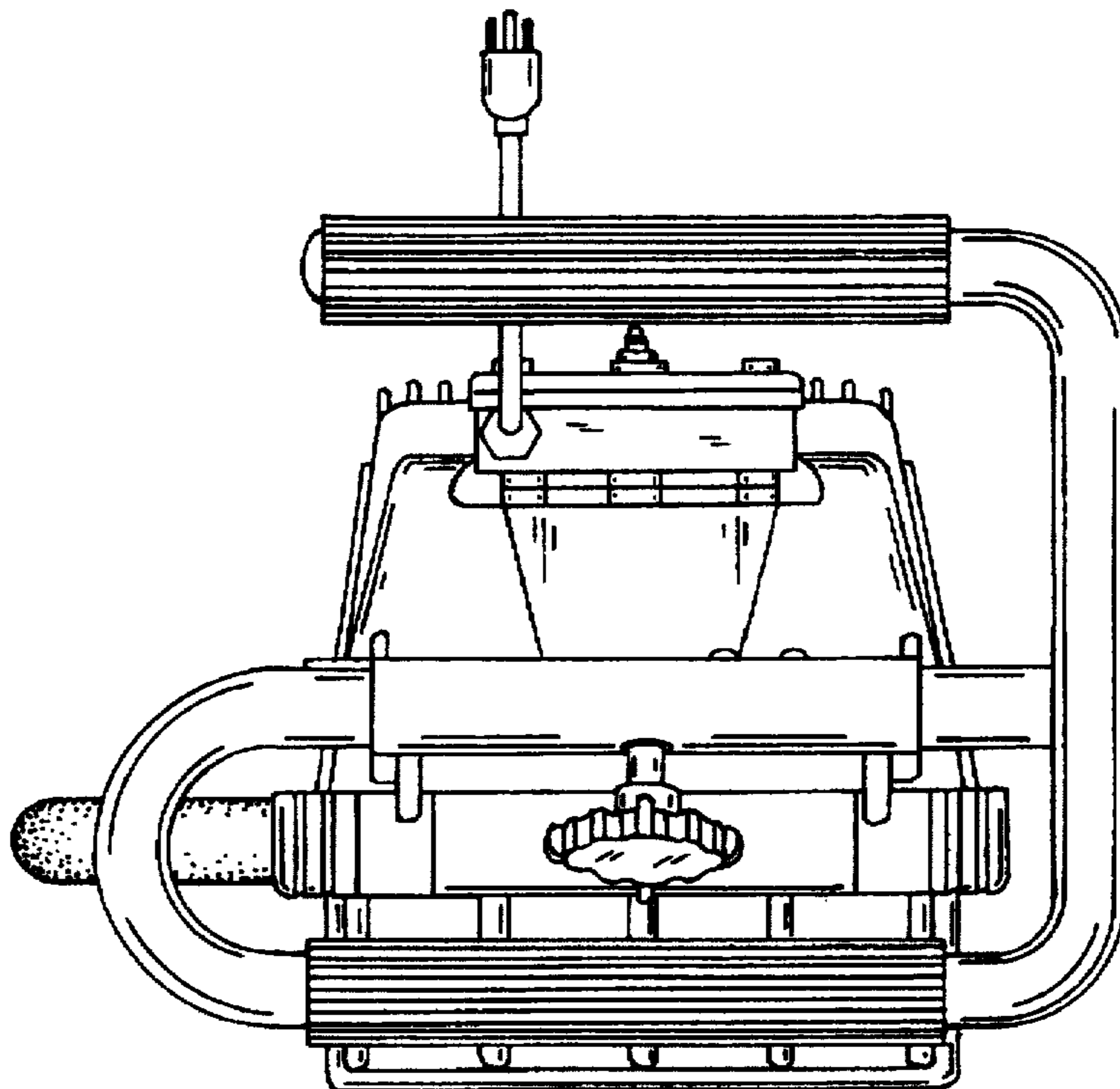


FIG. 7