

US00D388207S

**United States Patent** [19]  
**Houplain**

[11] **Patent Number: Des. 388,207**  
[45] **Date of Patent: \*\*Dec. 23, 1997**

[54] **TORCH**  
[75] **Inventor: Herve Houplain, Paris, France**  
[73] **Assignee: Impex Handelsgesellschaft Mbh (F.E.) Ltd., Hong Kong**  
[\*\*] **Term: 14 Years**  
[21] **Appl. No.: 66,262**  
[22] **Filed: Feb. 10, 1997**  
[51] **LOC (6) Cl. .... 26-02**  
[52] **U.S. Cl. .... D26/48**  
[58] **Field of Search ..... D26/37-50; 362/157, 362/158, 183-208**

D. 356,170 3/1995 Ohtaka et al. .... D26/49  
D. 368,147 3/1996 Bamber et al. .... D26/49  
2,934,635 4/1960 Cheng ..... D26/49

*Primary Examiner*—Marcus A. Jackson  
*Attorney, Agent, or Firm*—Samuels, Gauthier Stevens & Reppert

[57] **CLAIM**

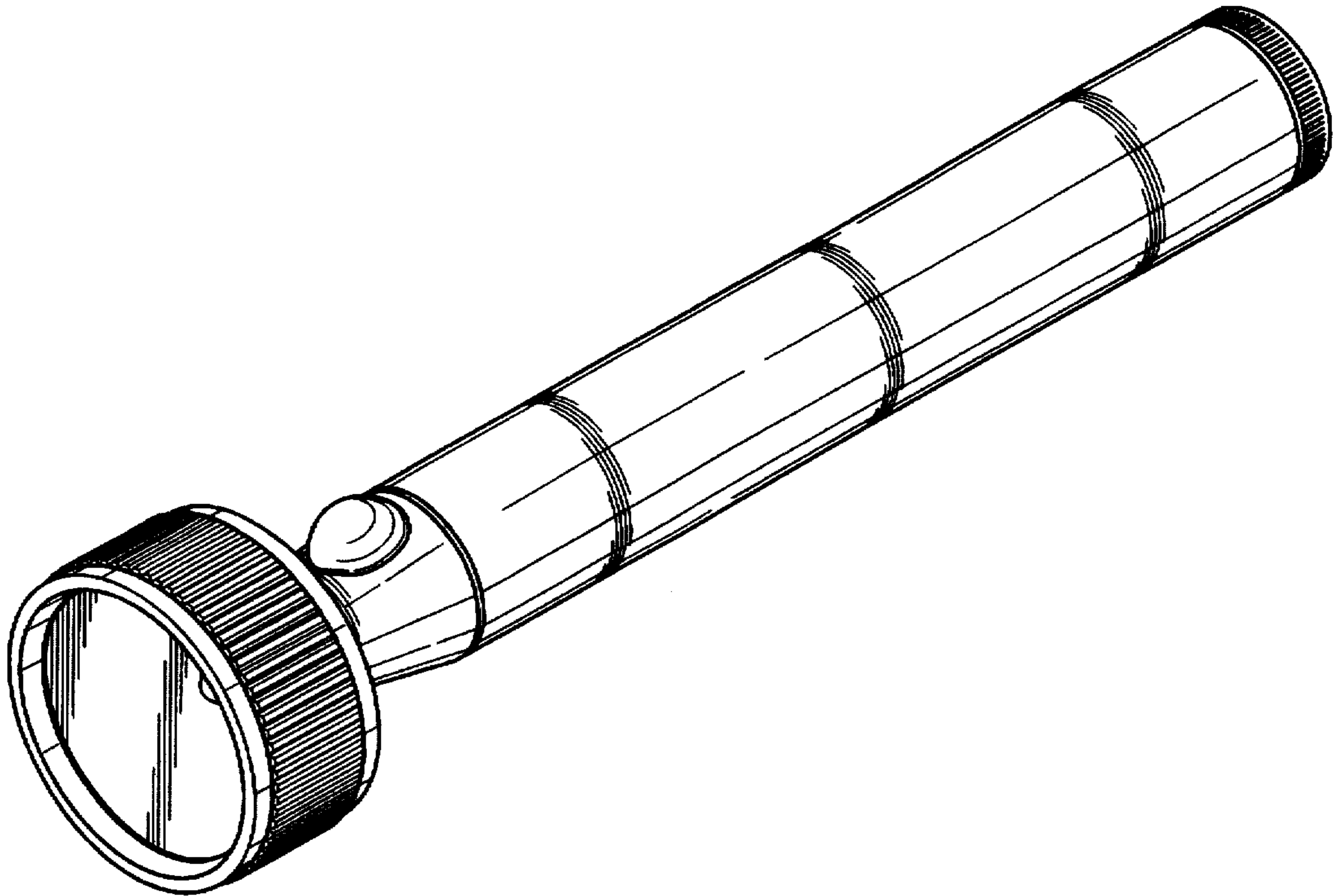
The ornamental design for a torch, as shown and described.

**DESCRIPTION**

FIG. 1 is the perspective view showing my new design;  
FIG. 2 is the front view thereof;  
FIG. 3 is the rear view thereof;  
FIG. 4 is the left-hand view thereof;  
FIG. 5 the right-hand view thereof;  
FIG. 6 is the top view thereof; and,  
FIG. 7 is the bottom view thereof.

[56] **References Cited**  
**U.S. PATENT DOCUMENTS**  
D. 294,644 3/1988 Ohashi ..... D26/49  
D. 314,057 1/1991 Naldi ..... D26/49

**1 Claim, 4 Drawing Sheets**



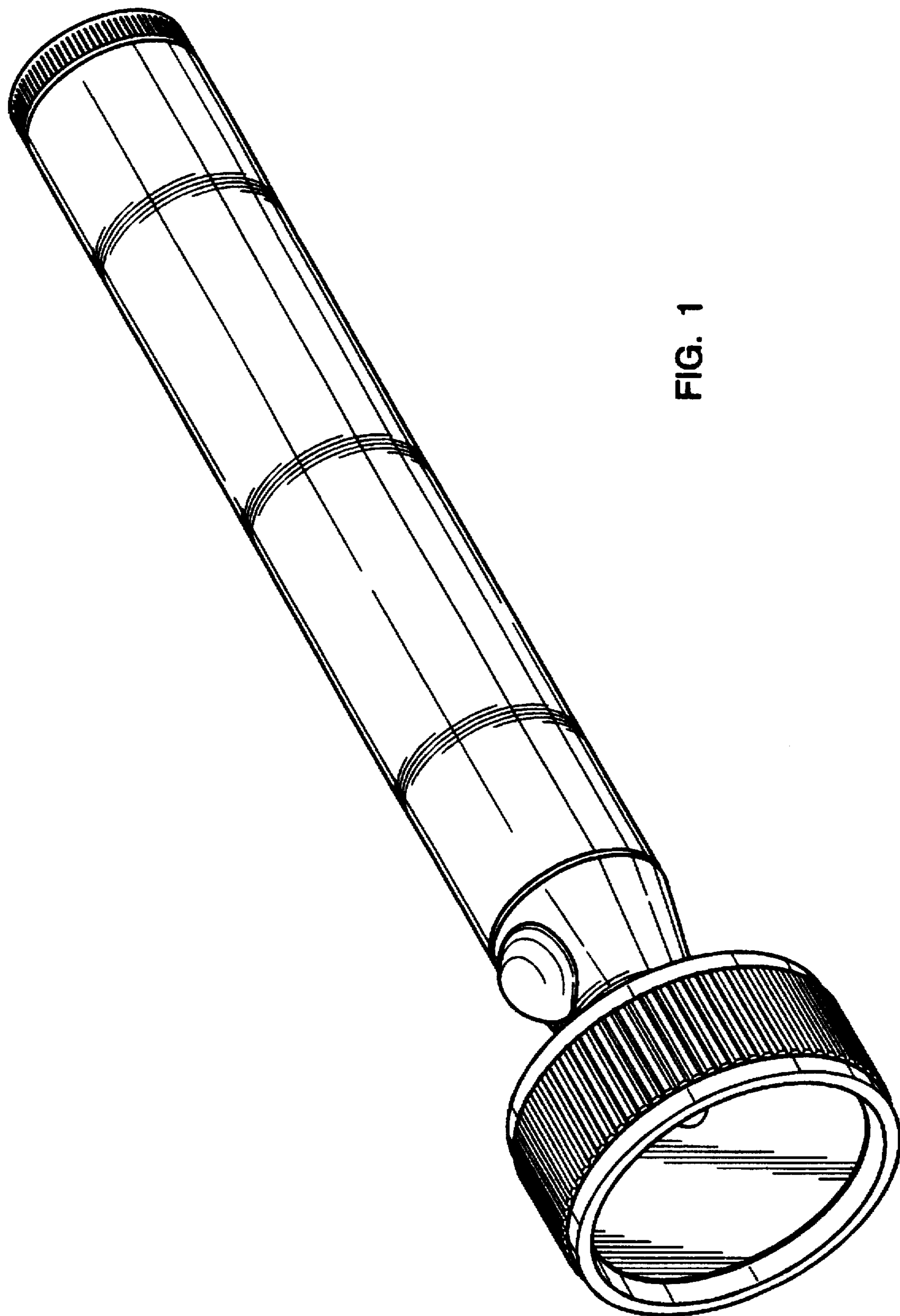


FIG. 1

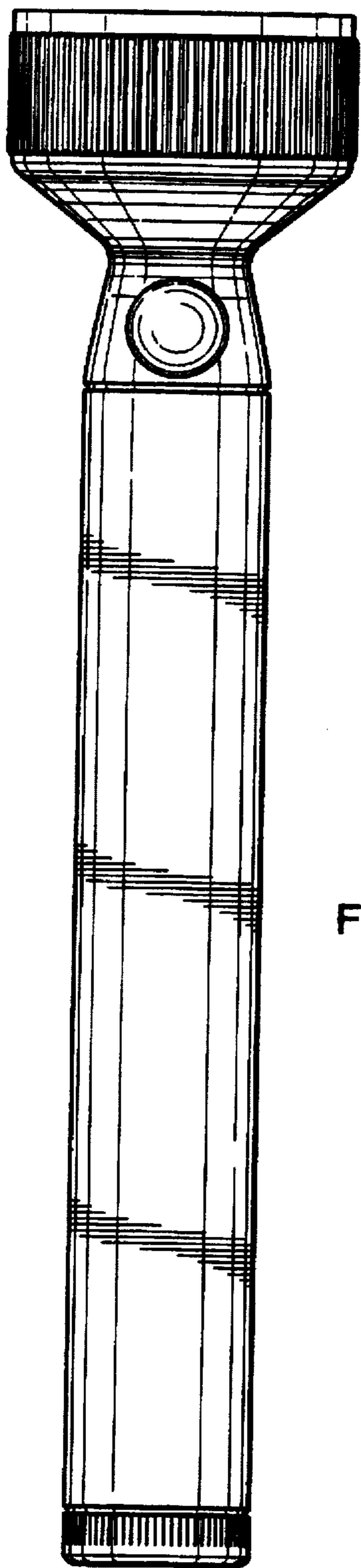


FIG. 2

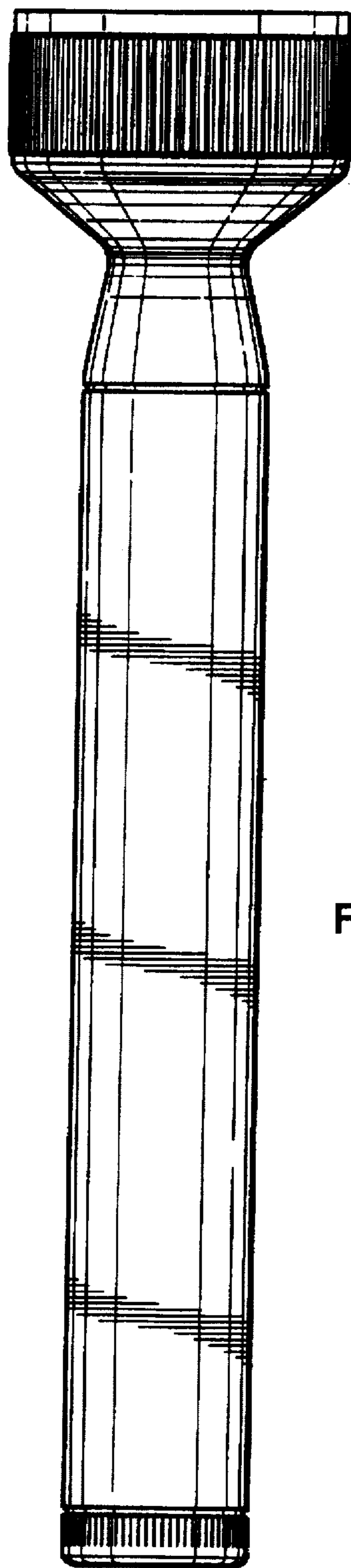


FIG. 3

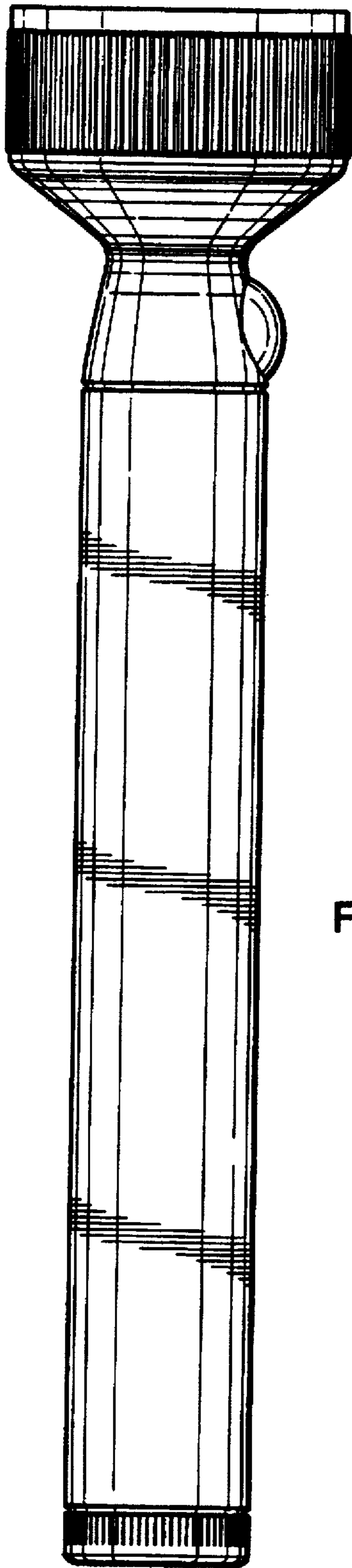


FIG. 4

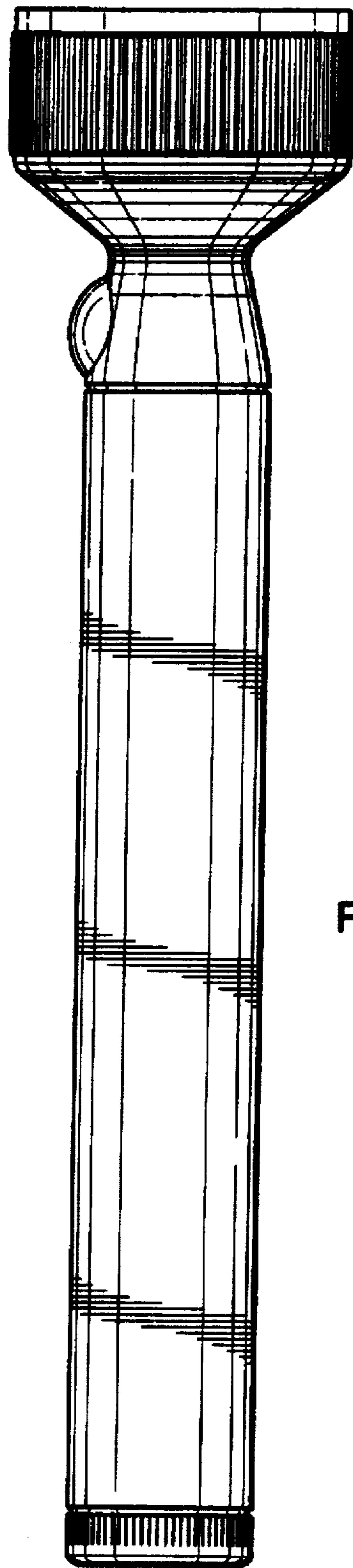


FIG. 5



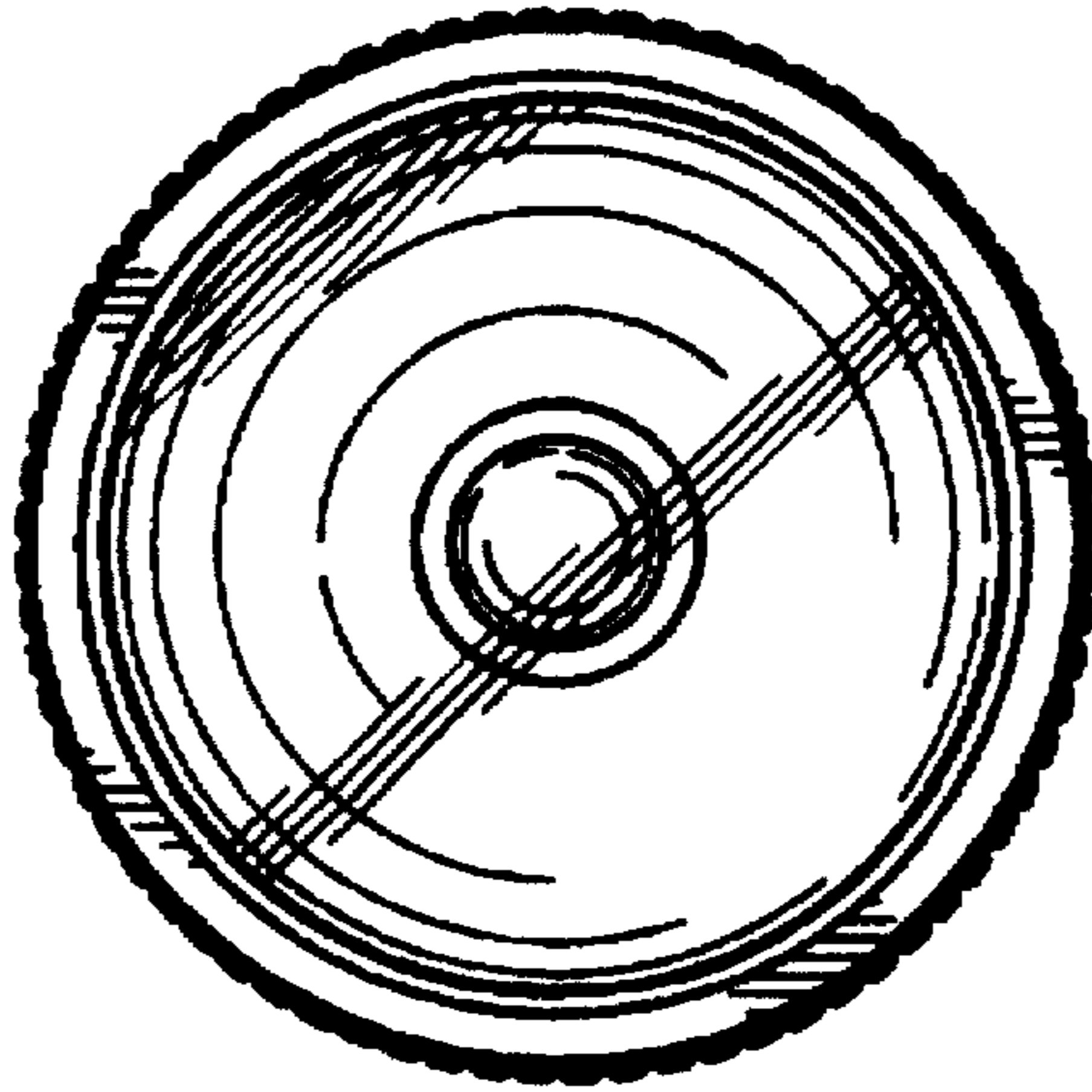


FIG. 6

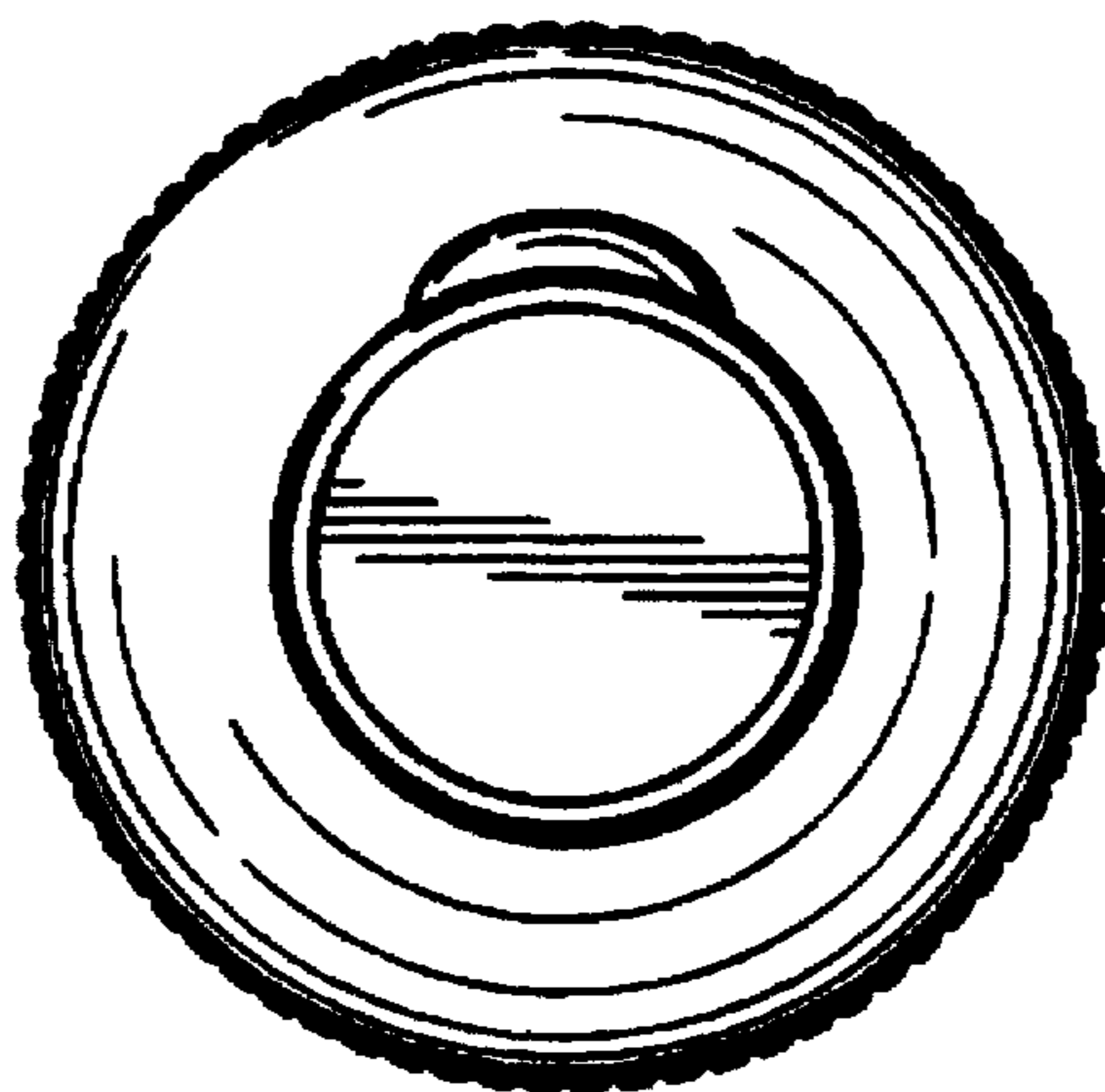


FIG. 7