

US00D388206S

# United States Patent [19]

Carbone et al.

[11] Patent Number: Des. 388,206

[45] Date of Patent: \*\*Dec. 23, 1997

[54] FLASHLIGHT

[75] Inventors: **Richard J. Carbone**, Southbury; **David W. Kaiser**, North Haven, both of Conn.

[73] Assignee: **Black & Decker Inc.**, Newark, Del.

[\*\*] Term: **14 Years**

[21] Appl. No.: **64,804**

[22] Filed: **Jan. 10, 1997**

[51] LOC (6) Cl. .... **26-02**

[52] U.S. Cl. .... **D26/43**

[58] Field of Search ..... D26/37-50; 362/157, 362/158, 184, 188, 189, 191, 198, 199, 200, 202, 362, 396

[56] **References Cited**

**U.S. PATENT DOCUMENTS**

D. 373,651 9/1996 Snymanski ..... D26/43

D. 374,297 10/1996 Kaiser ..... D26/43  
D. 374,299 10/1996 Carbone ..... D26/43  
D. 377,989 2/1997 Marvin et al. .... D26/43

*Primary Examiner*—Marcus A. Jackson  
*Attorney, Agent, or Firm*—Barry E. Deutsch

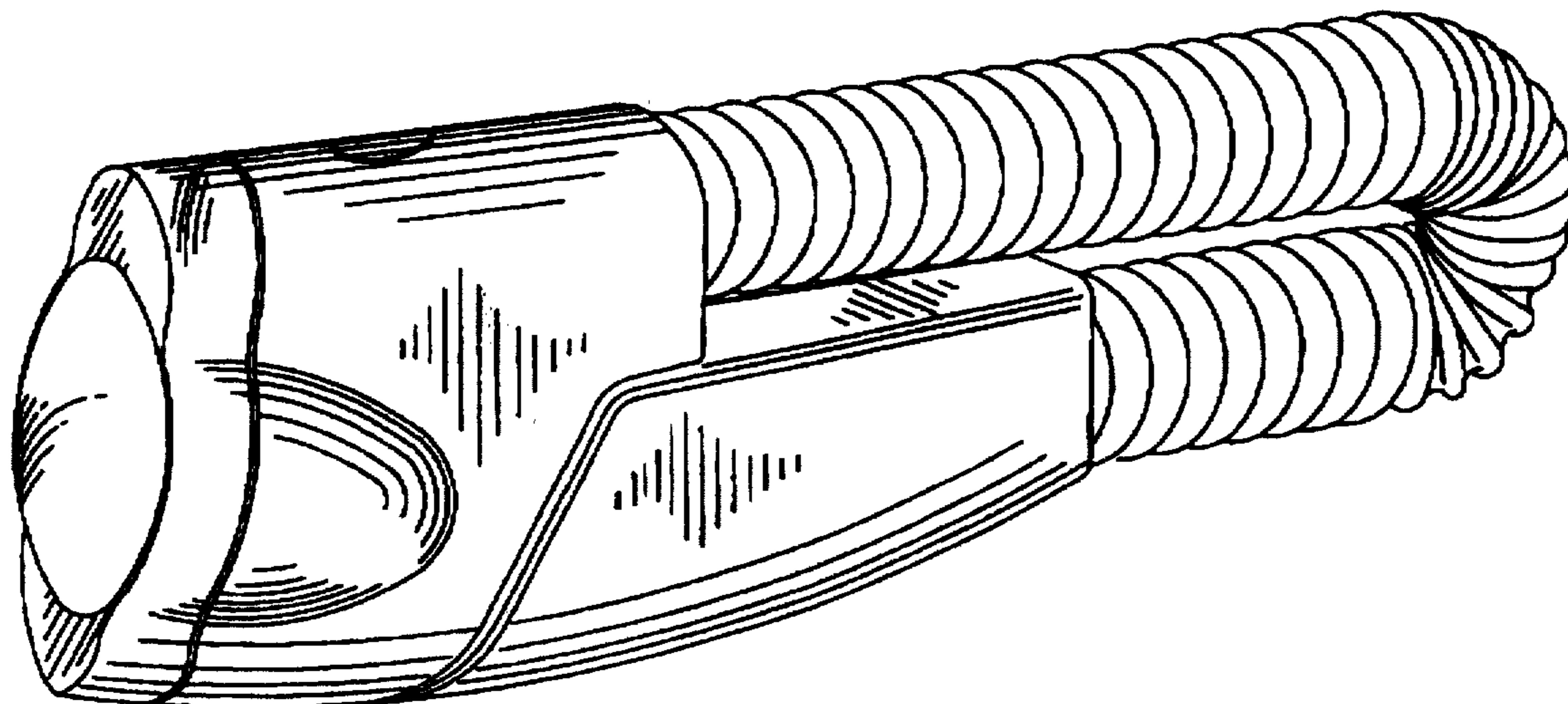
[57] **CLAIM**

The ornamental design for a flashlight, as shown and described.

**DESCRIPTION**

FIG. 1 is a perspective view taken from the front, top and right side of a flashlight showing our new design; FIG. 2 is a right side elevational view thereof; FIG. 3 is a left side elevational view thereof; FIG. 4 is a top plan view thereof; FIG. 5 is a bottom plan view thereof; FIG. 6 is a front elevational view thereof; and, FIG. 7 is a rear elevational view thereof.

**1 Claim, 3 Drawing Sheets**



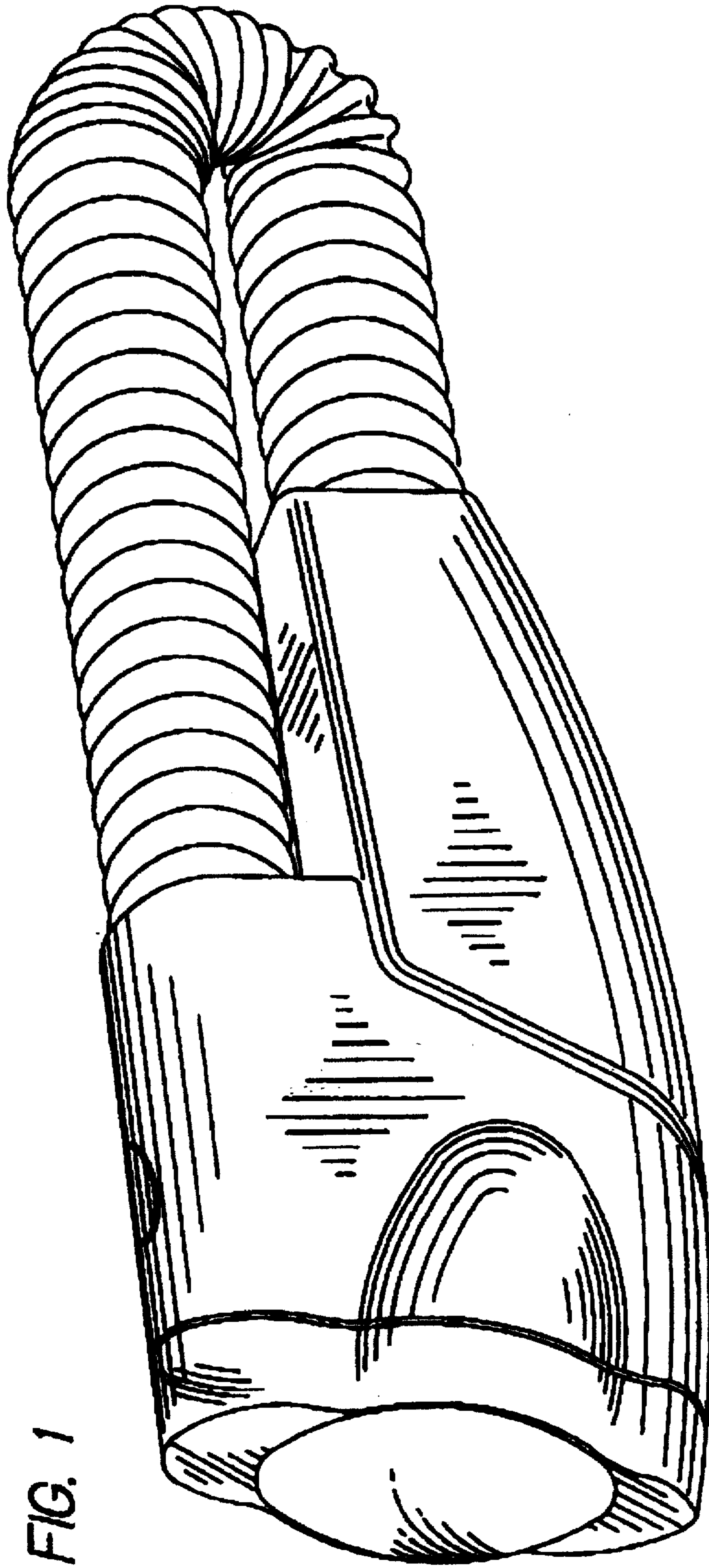


FIG. 1

FIG. 2

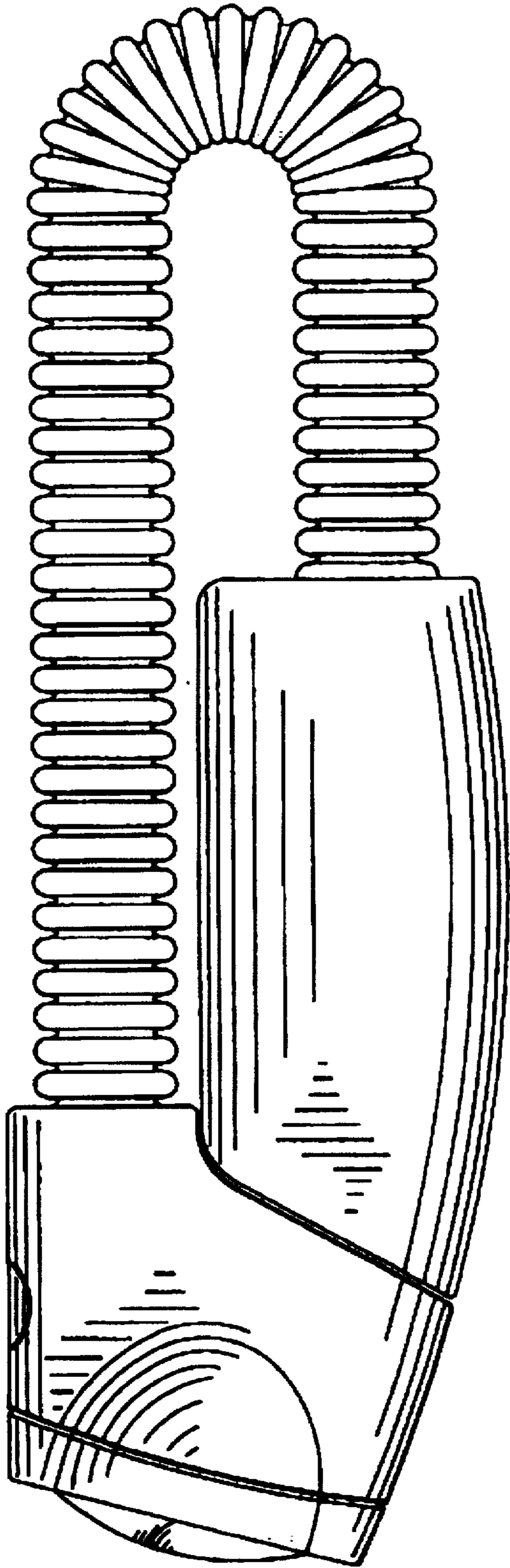
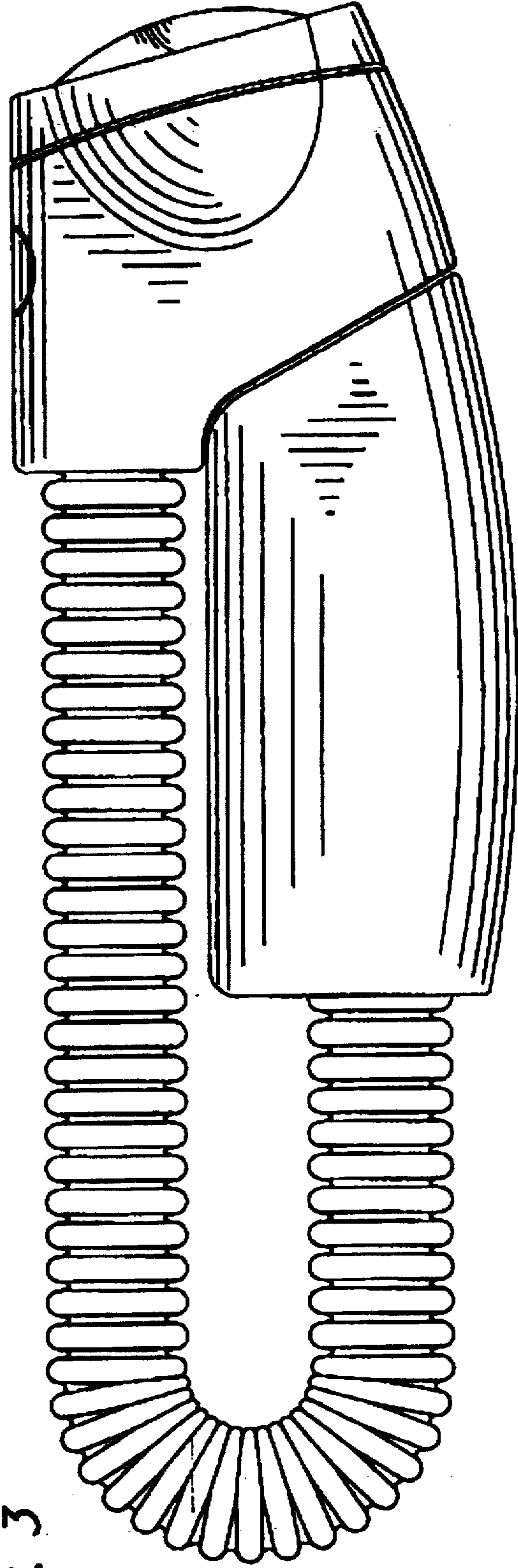


FIG. 3



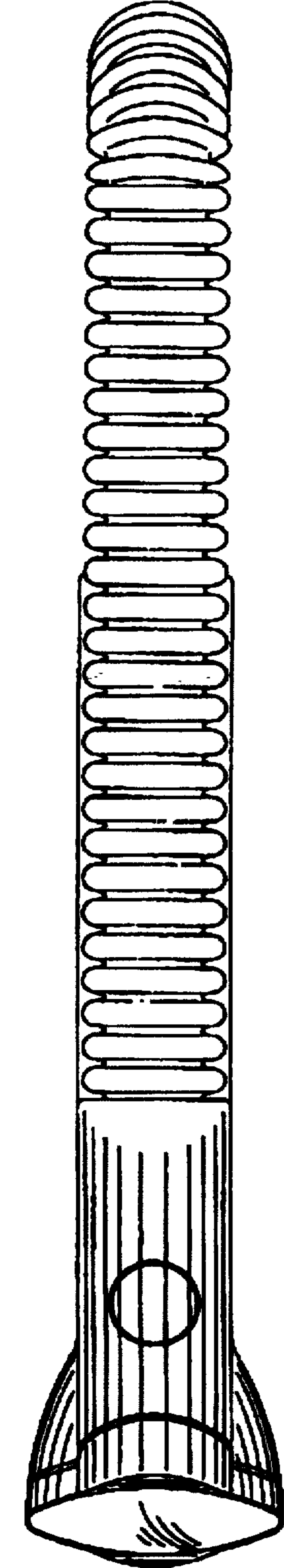


FIG. 4

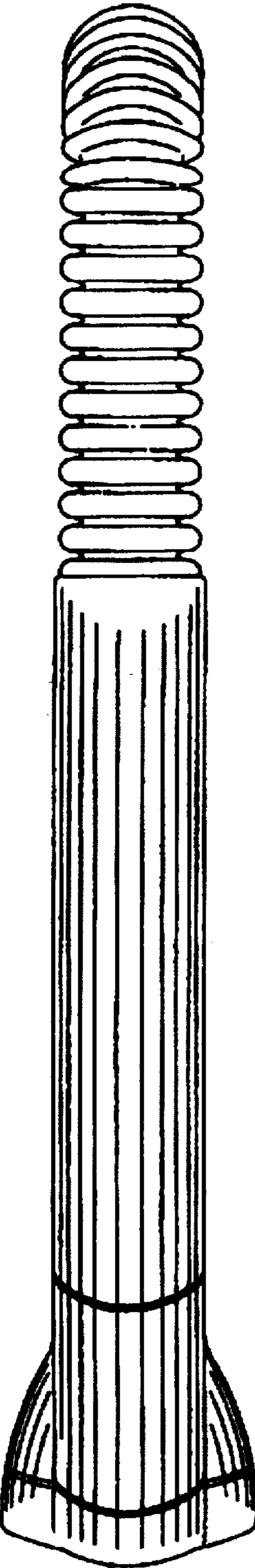


FIG. 5

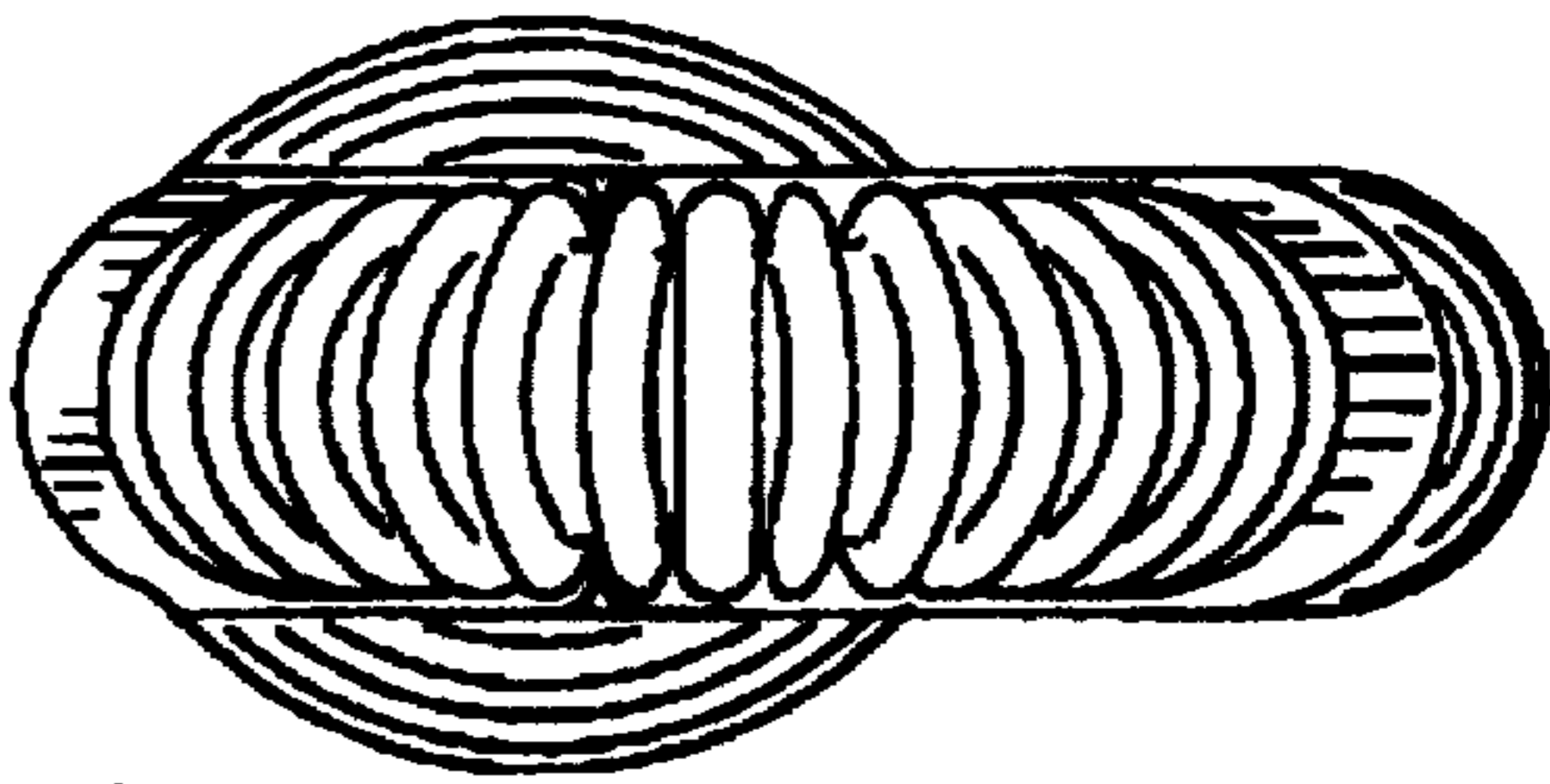


FIG. 7

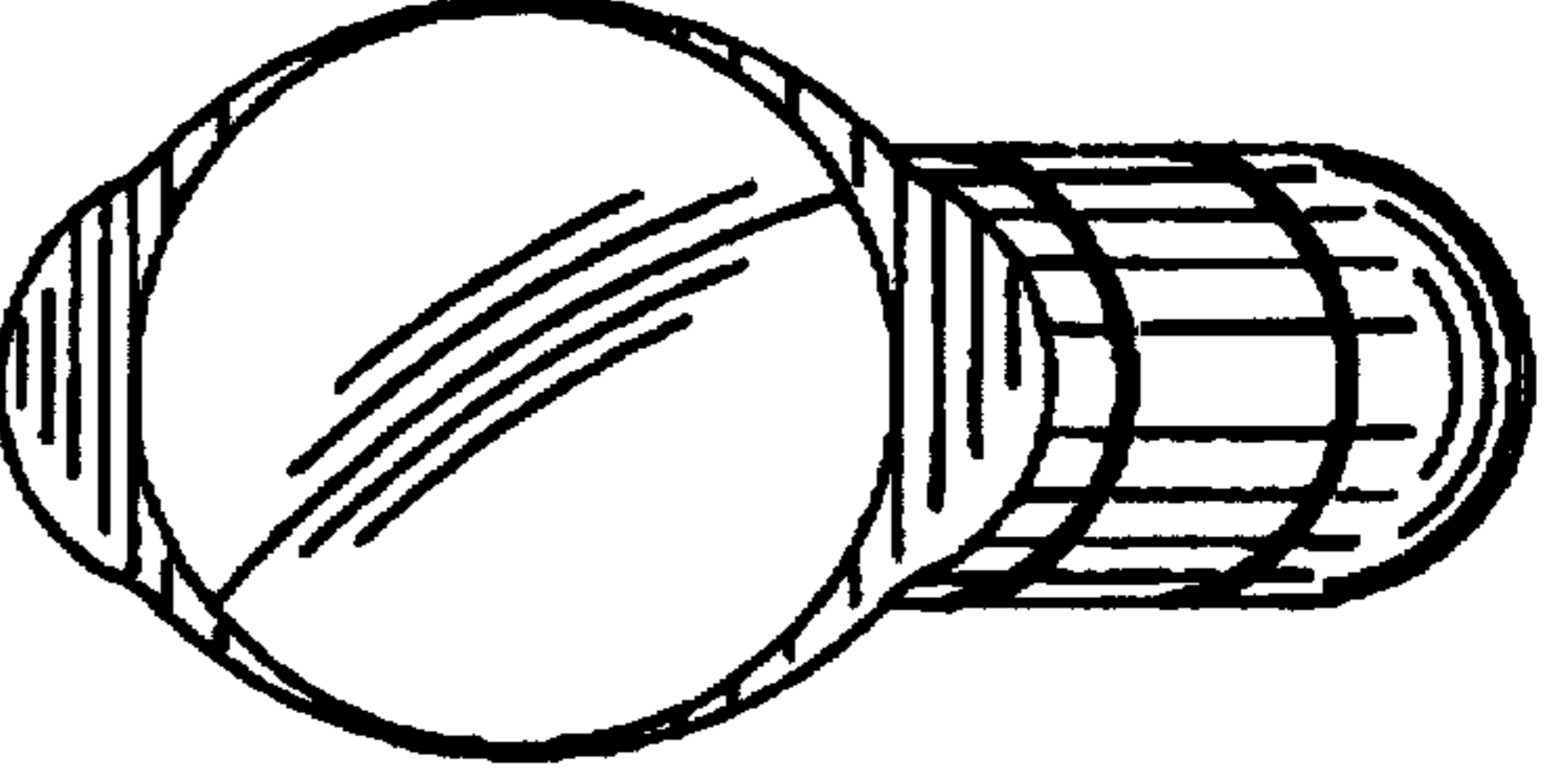


FIG. 6