

US00D388203S

United States Patent [19] Wan

[11] Patent Number: **Des. 388,203**
[45] Date of Patent: ****Dec. 23, 1997**

[54] **COMBINED FAN, FLUORESCENT LIGHT,
RADIO AND CLOCK**

[75] Inventor: **Yiu Kwong Wan**, New Territories,
Hong Kong

[73] Assignee: **Fee Tat Holdings (H.K.) Limited**,
Hong Kong, Hong Kong

[**] Term: **14 Years**

[21] Appl. No.: **62,172**

[22] Filed: **Nov. 8, 1996**

[30] **Foreign Application Priority Data**

May 9, 1996 [GB] United Kingdom 2056207

[51] LOC (6) Cl. **26-02**

[52] U.S. Cl. **D26/38; D23/328**

[58] Field of Search **D23/328, 370;
362/157, 158, 183-208; D26/37-50**

[56] **References Cited**

U.S. PATENT DOCUMENTS

D. 275,698 9/1984 Ambruster D23/328

D. 314,617 2/1991 Yuen D26/38
D. 322,844 12/1991 Zeon, Jr. D26/38
D. 334,618 4/1993 Gilderleeve D23/328
D. 351,901 10/1994 Boruch et al. D26/38

Primary Examiner—Marcus A. Jackson
Attorney, Agent, or Firm—Blakely Sokoloff Taylor &
Zafman

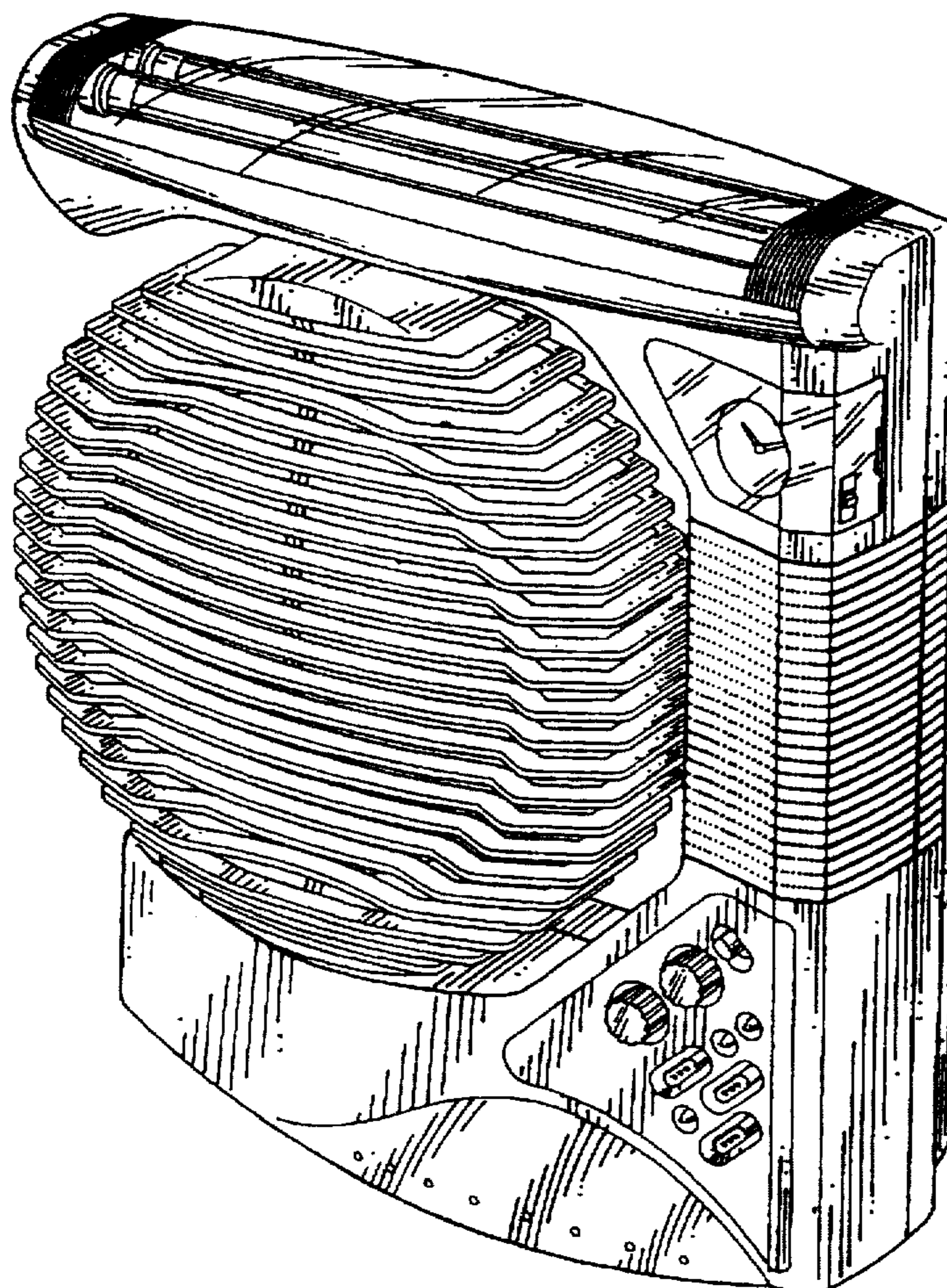
[57] **CLAIM**

The ornamental design for a combined fan, fluorescent light,
radio and clock, as shown and described.

DESCRIPTION

FIG. 1 is a front perspective view of the combined fan,
fluorescent light, radio and clock thereof;
FIG. 2 is a top plan view thereof;
FIG. 3 is a front elevation view thereof;
FIG. 4 is a rear elevation view thereof;
FIG. 5 is a bottom plan view thereof;
FIG. 6 is a right side elevation view thereof;
FIG. 7 is a left side elevation view thereof; and,
FIG. 8 is a front perspective view with the light in an
alternative position.

1 Claim, 5 Drawing Sheets



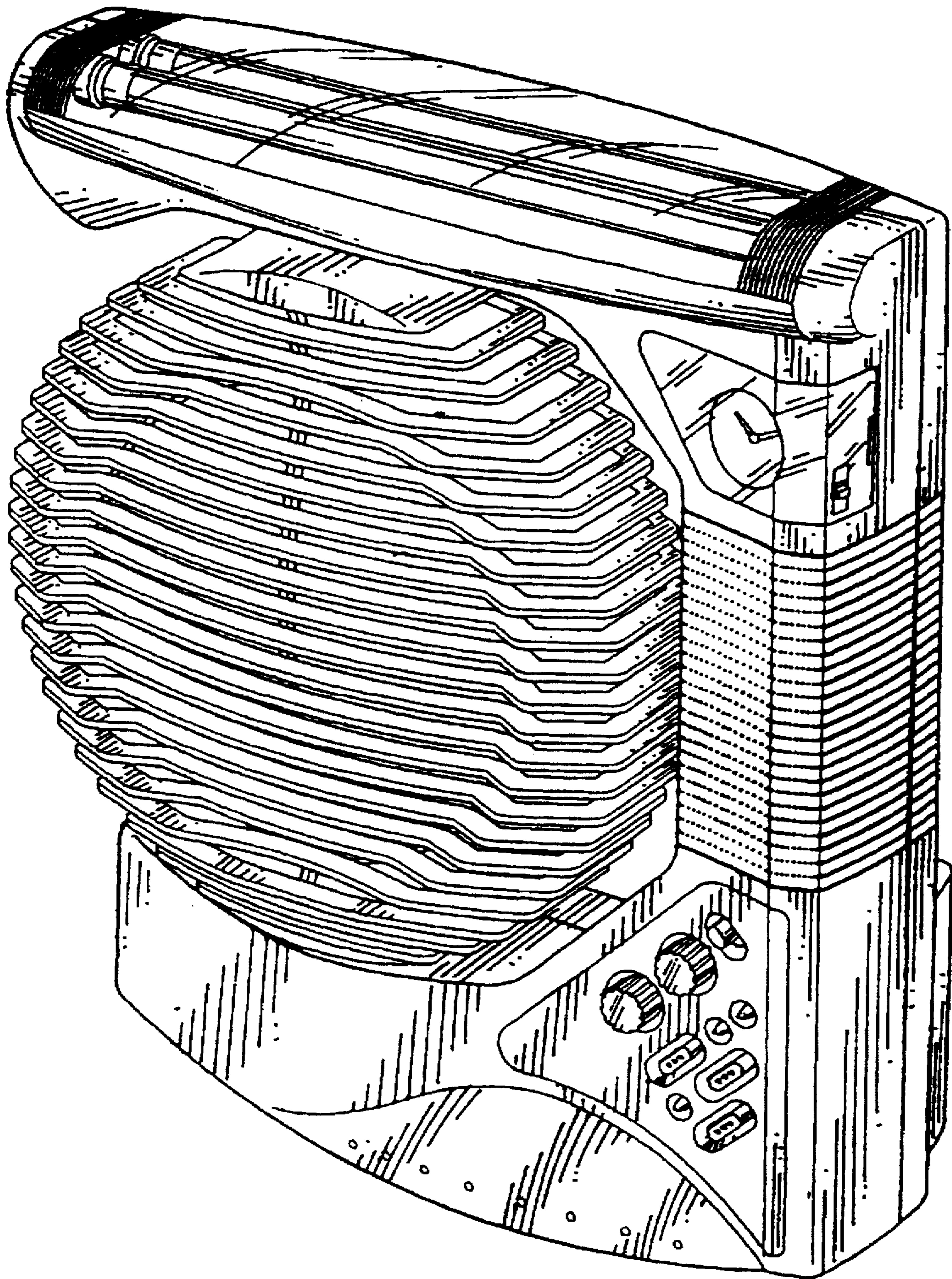


FIGURE 1

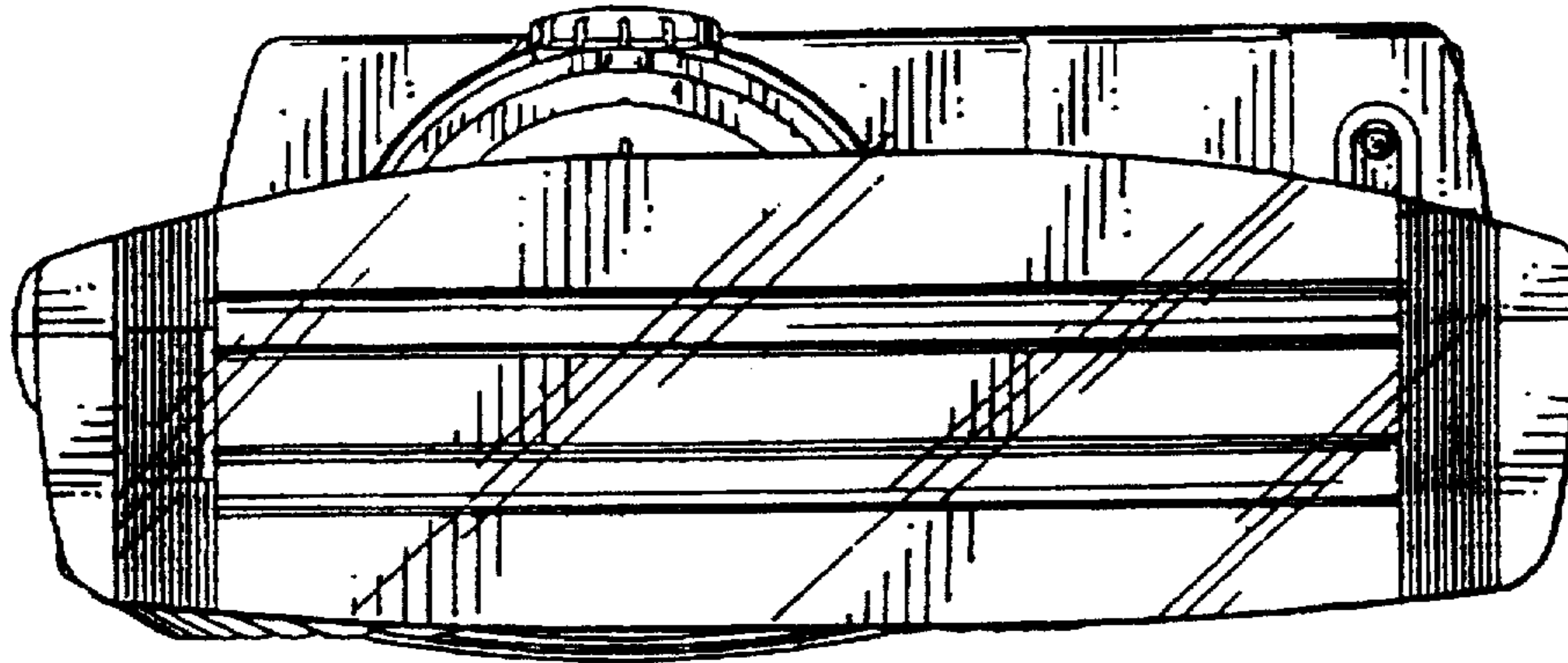


FIGURE 2

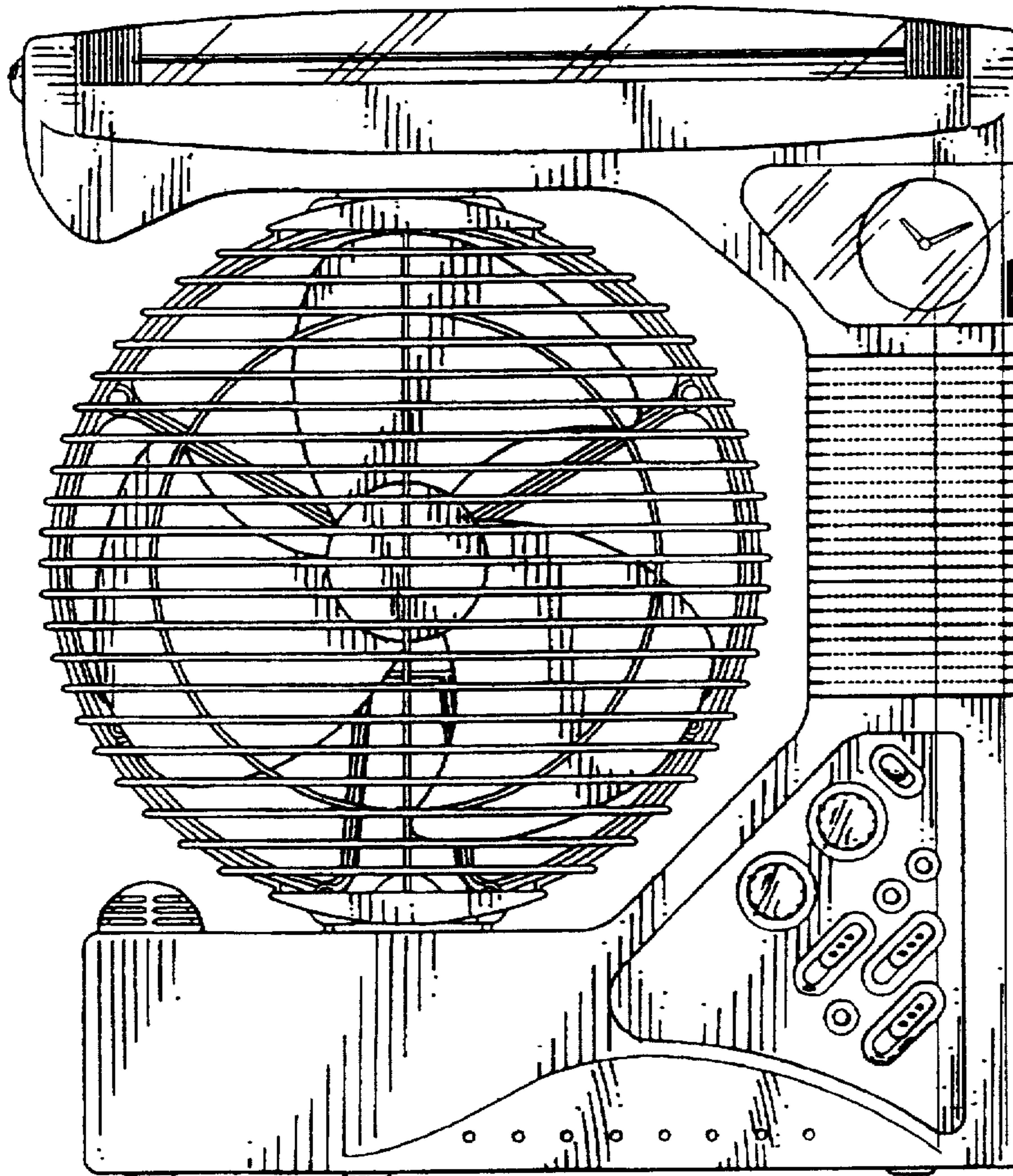


FIGURE 3

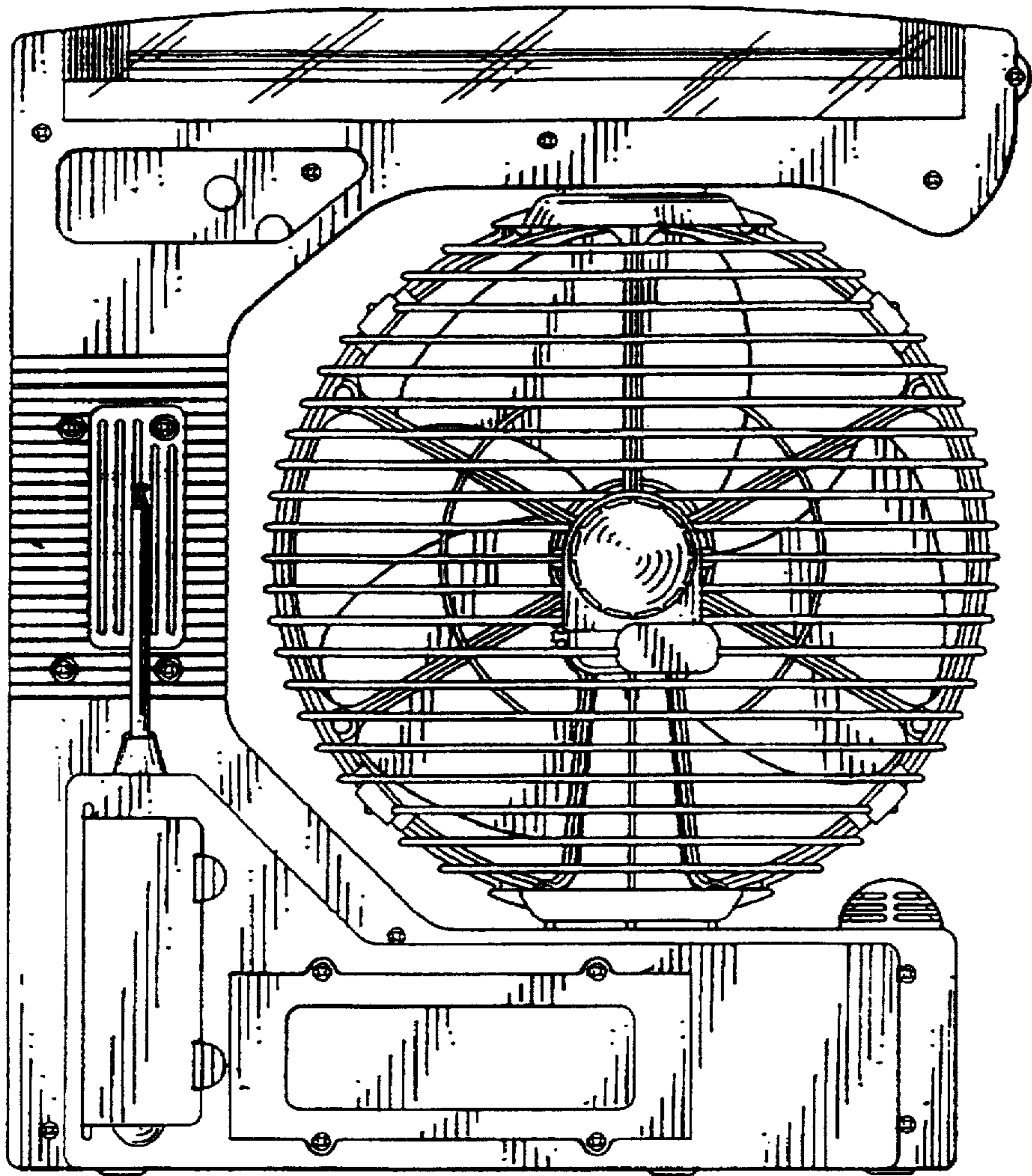


FIGURE 4

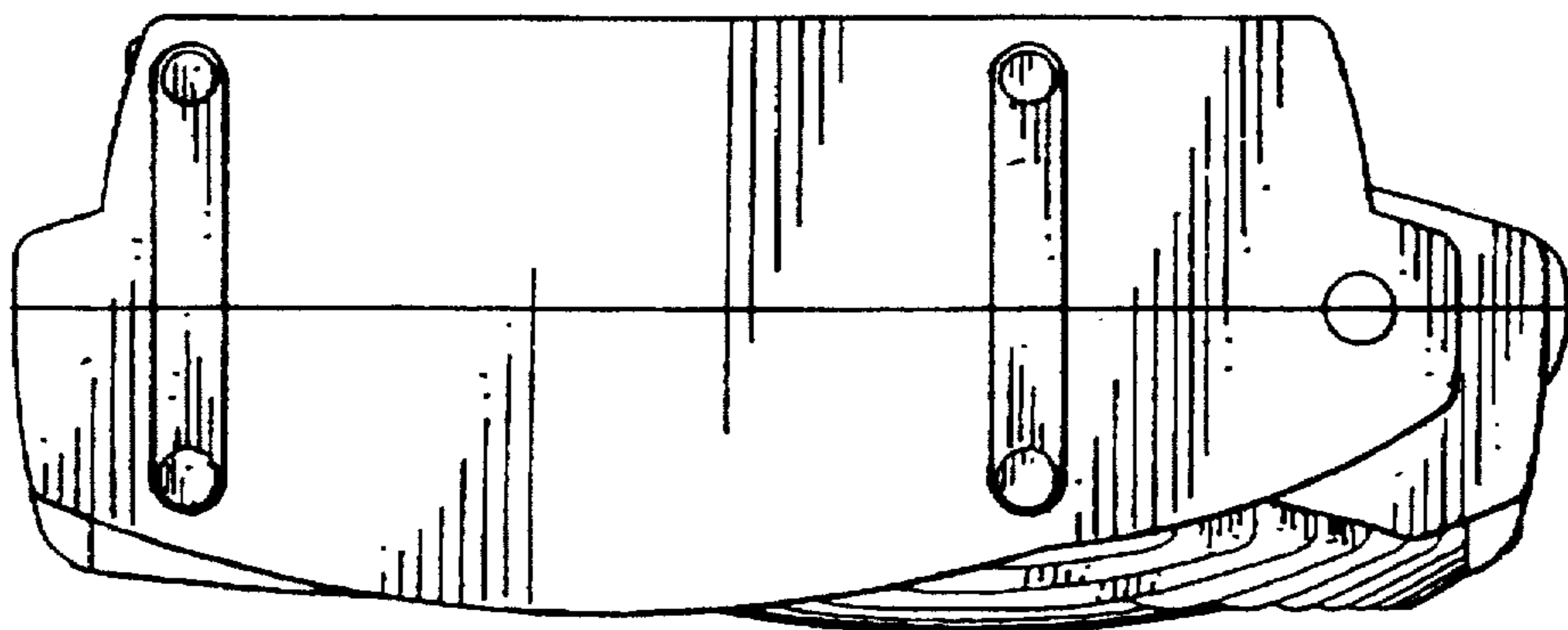


FIGURE 5

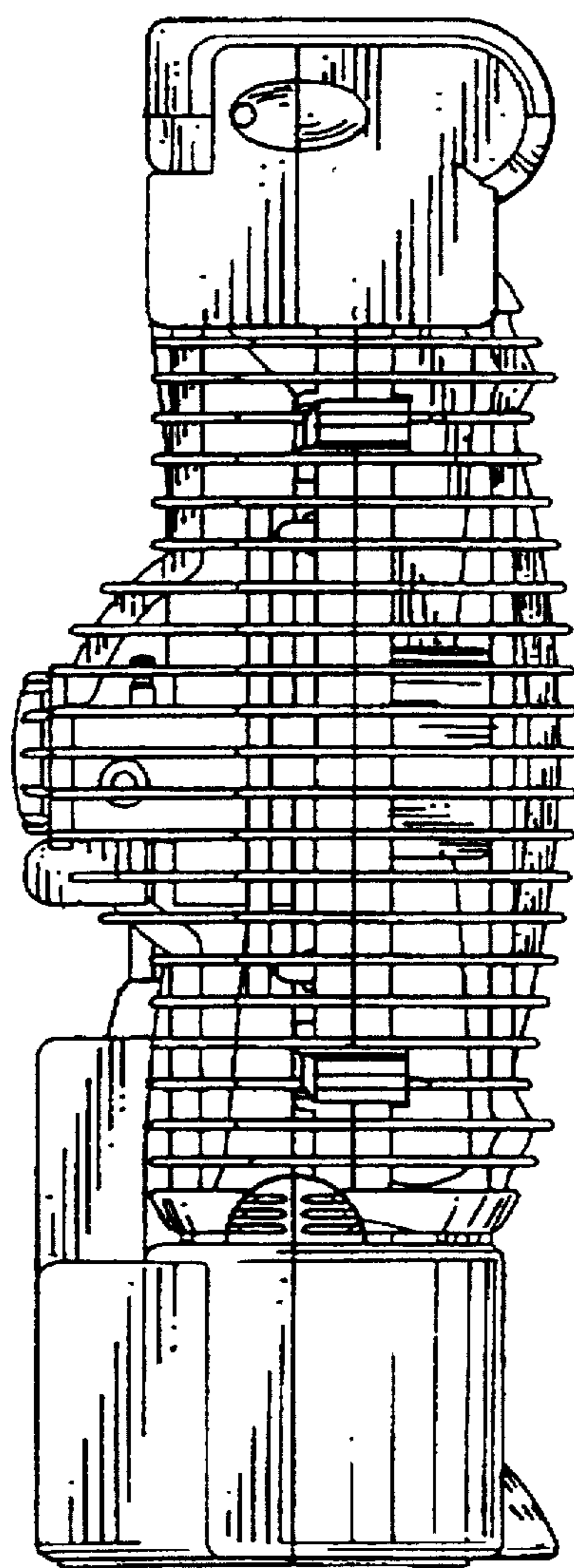


FIGURE 7

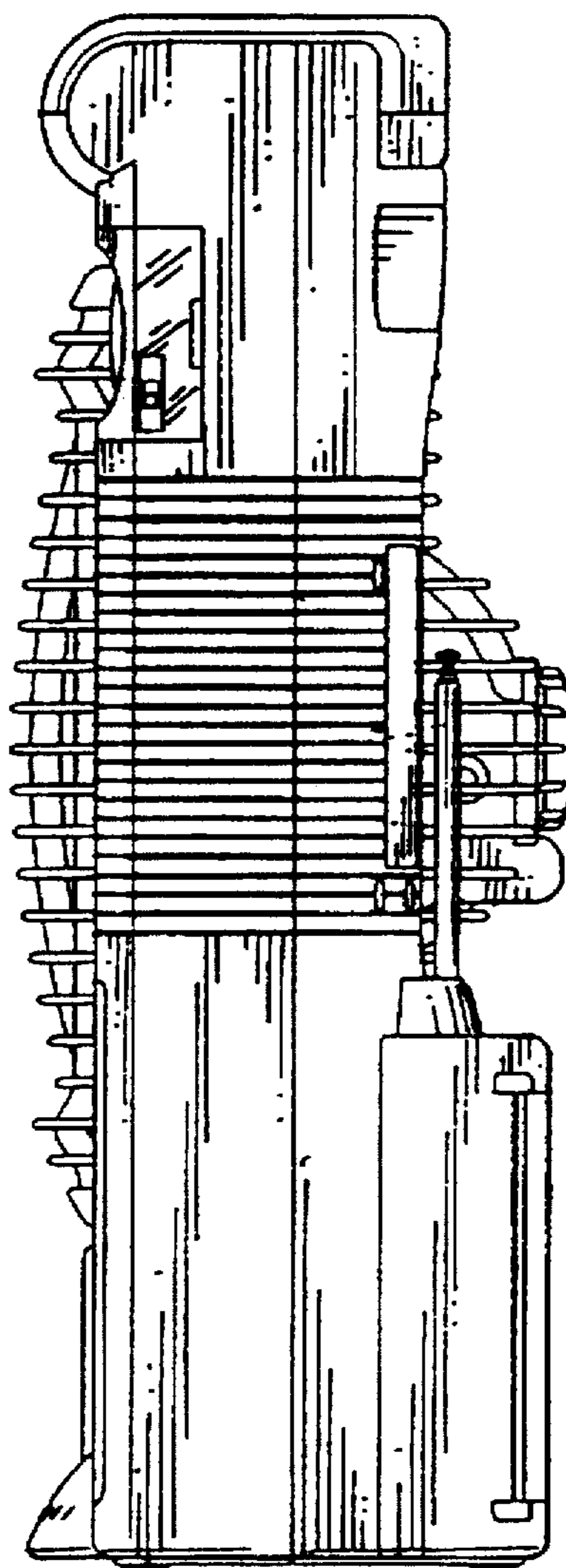


FIGURE 6

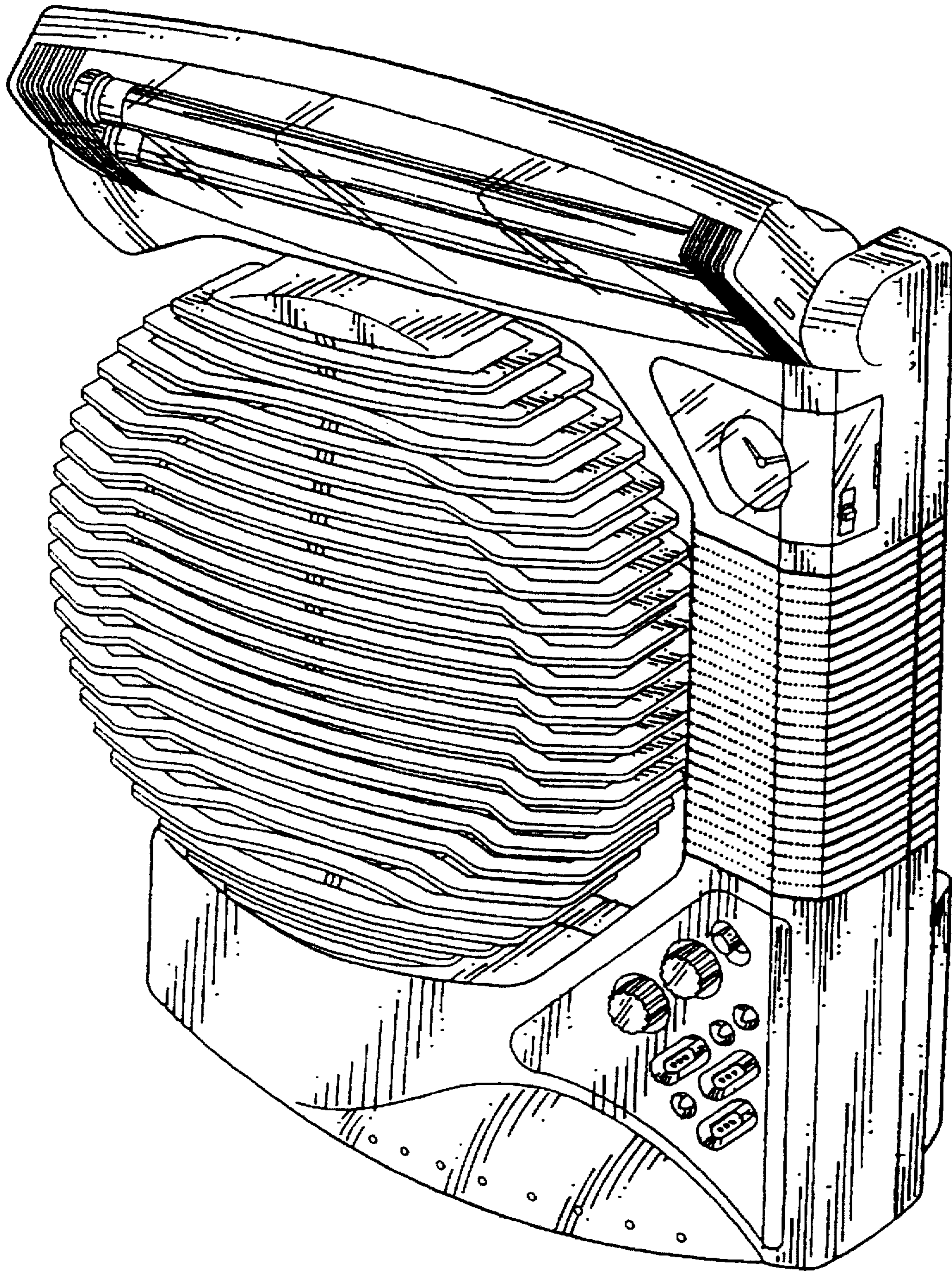


FIGURE 8