



US00D388190S

**United States Patent** [19]  
**Goss**

[11] **Patent Number: Des. 388,190**  
[45] **Date of Patent: \*\*Dec. 23, 1997**

[54] **WINDOW COMPONENT EXTRUSION**

[75] **Inventor: Lorane Goss, Slippery Rock, Pa.**

[73] **Assignee: Mikron Industries, Inc., Kent, Wash.**

[\*\*] **Term: 14 Years**

[21] **Appl. No.: 61,261**

[22] **Filed: Oct. 18, 1996**

[51] **LOC (6) Cl. .... 25-01**

[52] **U.S. Cl. .... D25/124**

[58] **Field of Search .... D25/52, 60, 124;  
49/DIG. 2, 504-505; 52/204.5, 204.56,  
204.51, 730.3, 205.1**

[56] **References Cited**

**U.S. PATENT DOCUMENTS**

D. 258,665 3/1981 Franson ..... D25/124

**OTHER PUBLICATIONS**

Window Component Extrusion 6479, Mikron Industries, Inc. Published Apr. 20, 1993.

Window Component Extrusion 6564, Mikron Industries, Inc. Sold Sep. 28, 1995.

*Primary Examiner*—Doris Clark

*Attorney, Agent, or Firm*—Richardson & Folise

[57] **CLAIM**

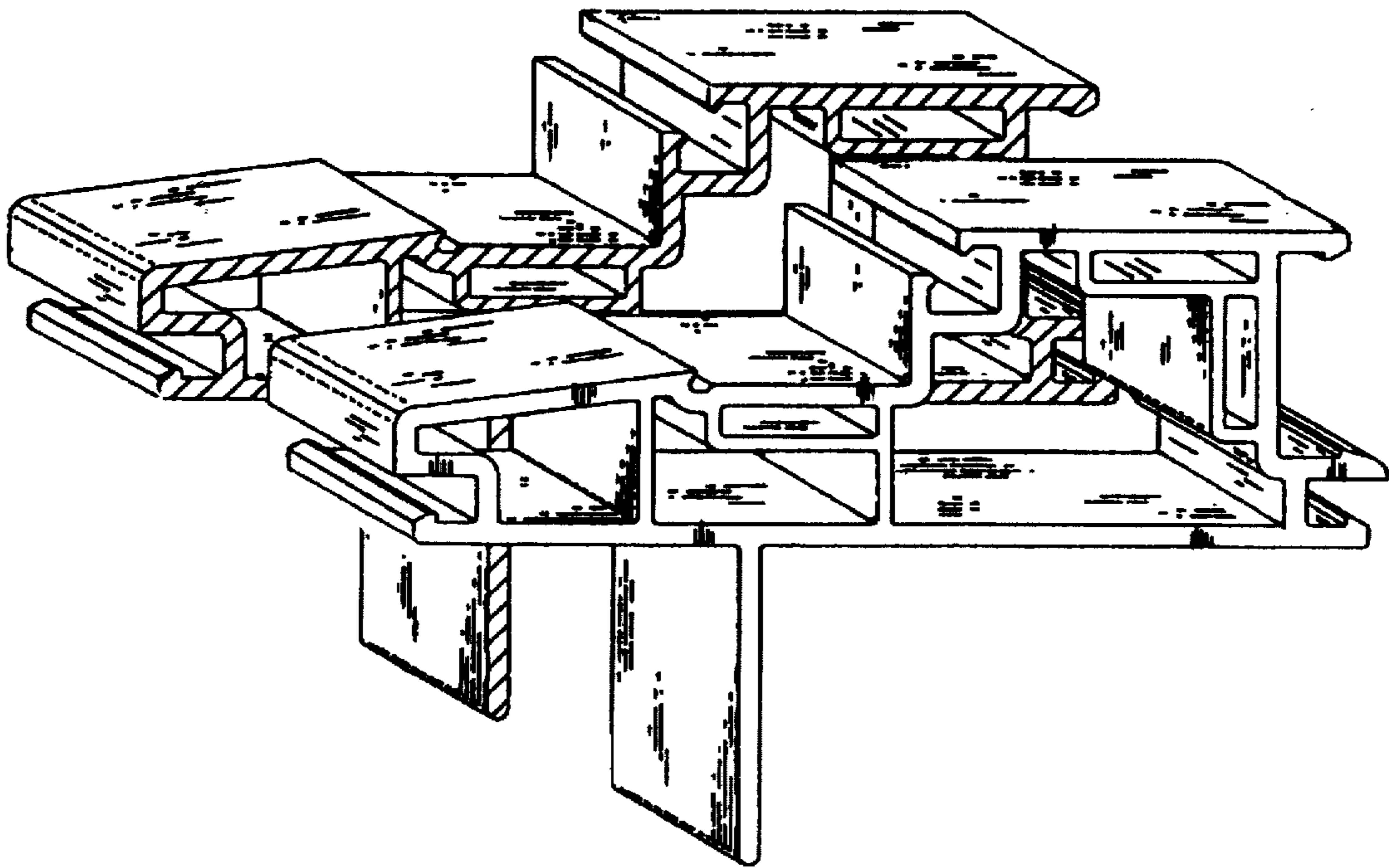
The ornamental design for a window component extrusion, as shown and described.

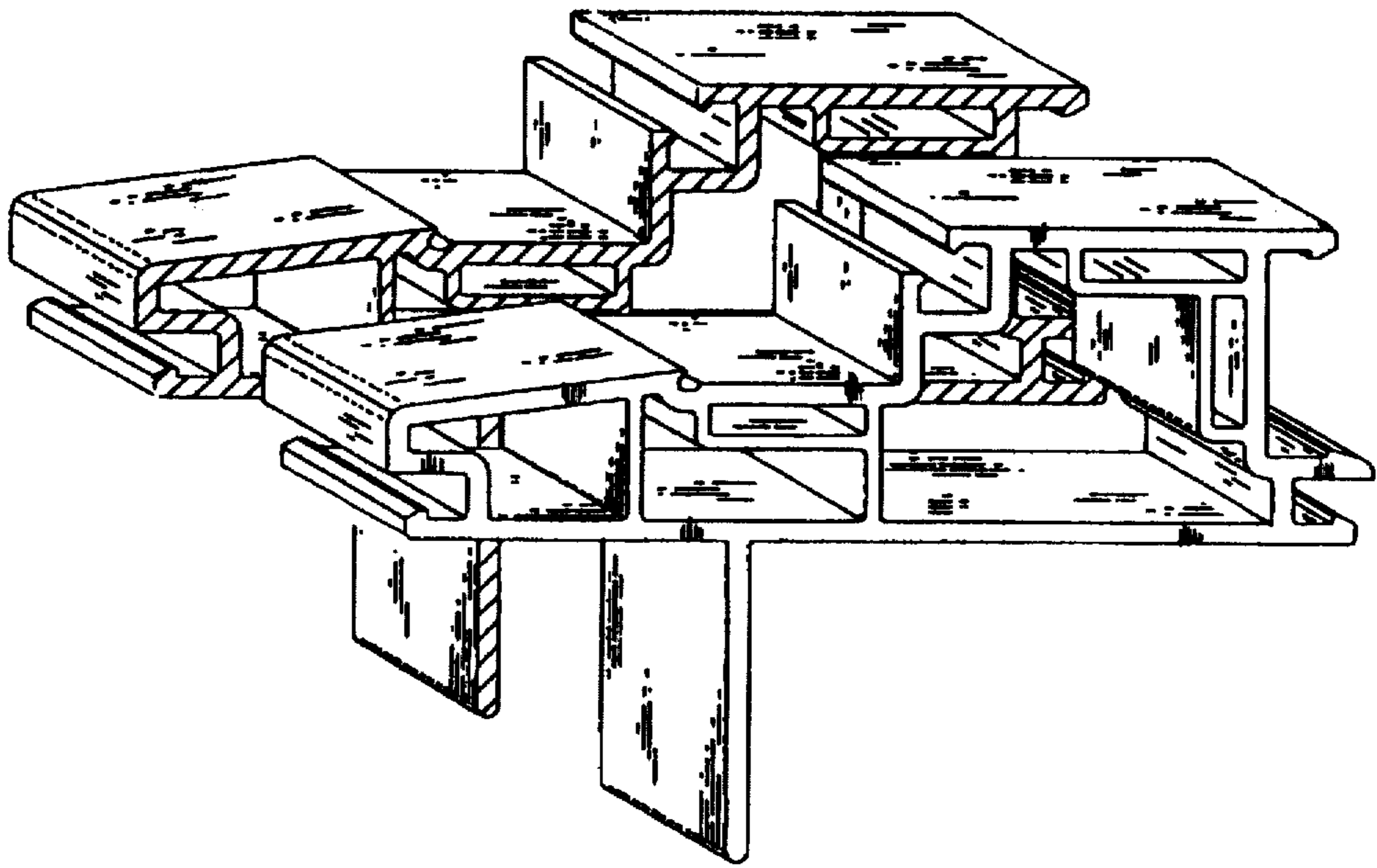
**DESCRIPTION**

FIG. 1 is a top right perspective view of the window component extrusion which is broken in the center indicating indefinite length; and,

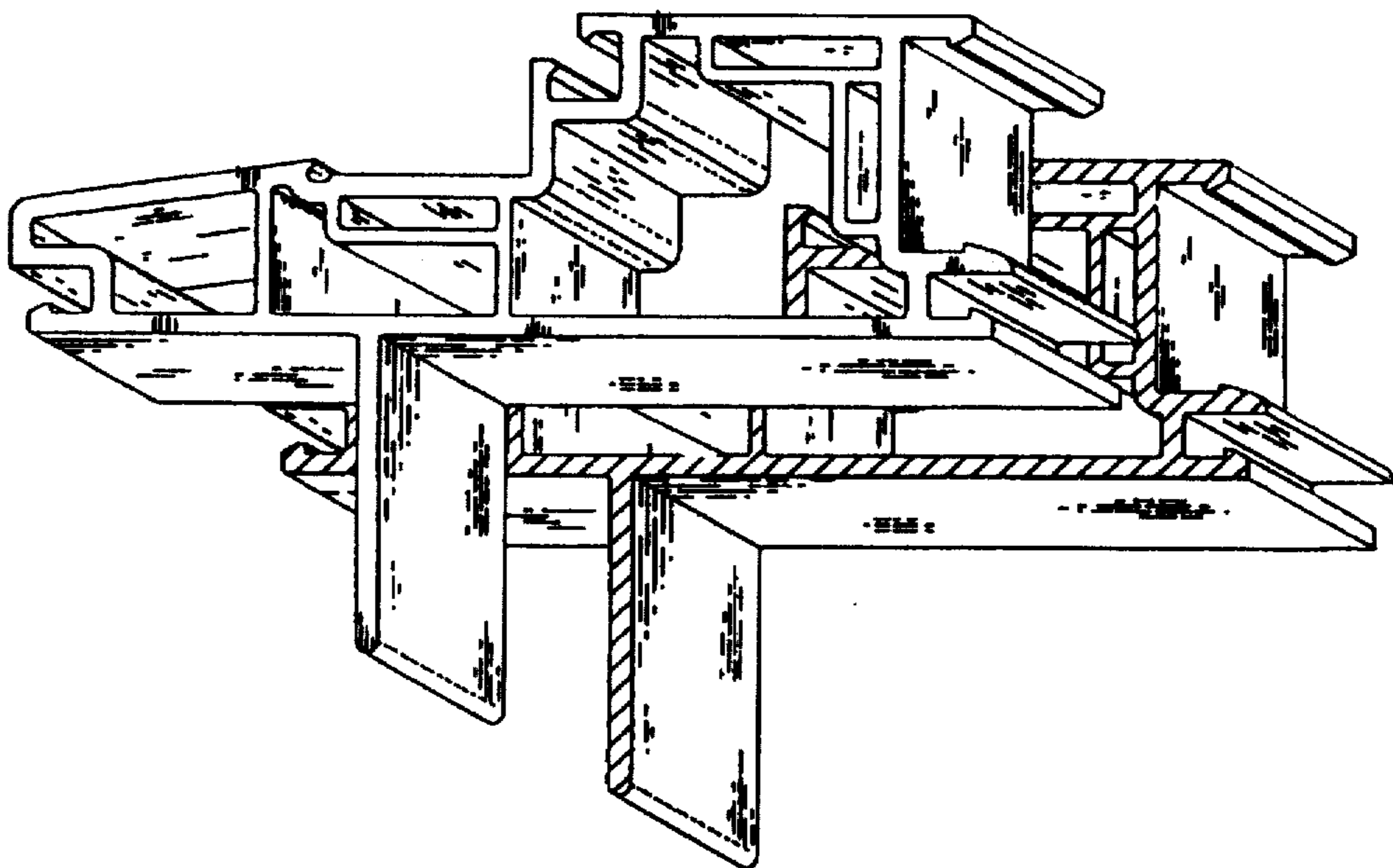
FIG. 2 is a bottom left perspective view of the window component extrusion shown in FIG. 1.

**1 Claim, 1 Drawing Sheet**





*FIG. 1*



*FIG. 2*