



US00D388183S

# United States Patent [19]

Payton et al.

[11] Patent Number: Des. 388,183

[45] Date of Patent: \*\*Dec. 23, 1997

[54] **BAR PRIMARILY INTENDED FOR GLAZING**

[75] Inventors: **David Michael Payton, Nr. Whitchurch; Andrew Charles McDougall; Peter Figaro Mayes**, both of Bridgnorth, all of England

[73] Assignee: **Davandian Limited**, Shropshire, England

[\*\*] Term: **14 Years**

[21] Appl. No.: **62,100**

[22] Filed: **Nov. 7, 1996**

[30] **Foreign Application Priority Data**

May 10, 1996 [GB] United Kingdom ..... 2056227

[51] LOC (6) CL ..... **25-01**

[52] U.S. Cl. .... **D25/121**

[58] Field of Search ..... D25/121; 52/204.705, 52/204.5, 242, 204.6, 204.57, 204.68, 235, 456, 214; 126/270

[56] **References Cited**

**U.S. PATENT DOCUMENTS**

3,973,371 8/1976 Heller ..... D25/121  
4,201,019 5/1980 Jones ..... 52/15  
4,671,027 6/1987 Esposito ..... 52/86

*Primary Examiner*—Doris Clark  
*Attorney, Agent, or Firm*—Reinhart, Boerner, Van Deuren, Norris & Rieselbach, s.c.

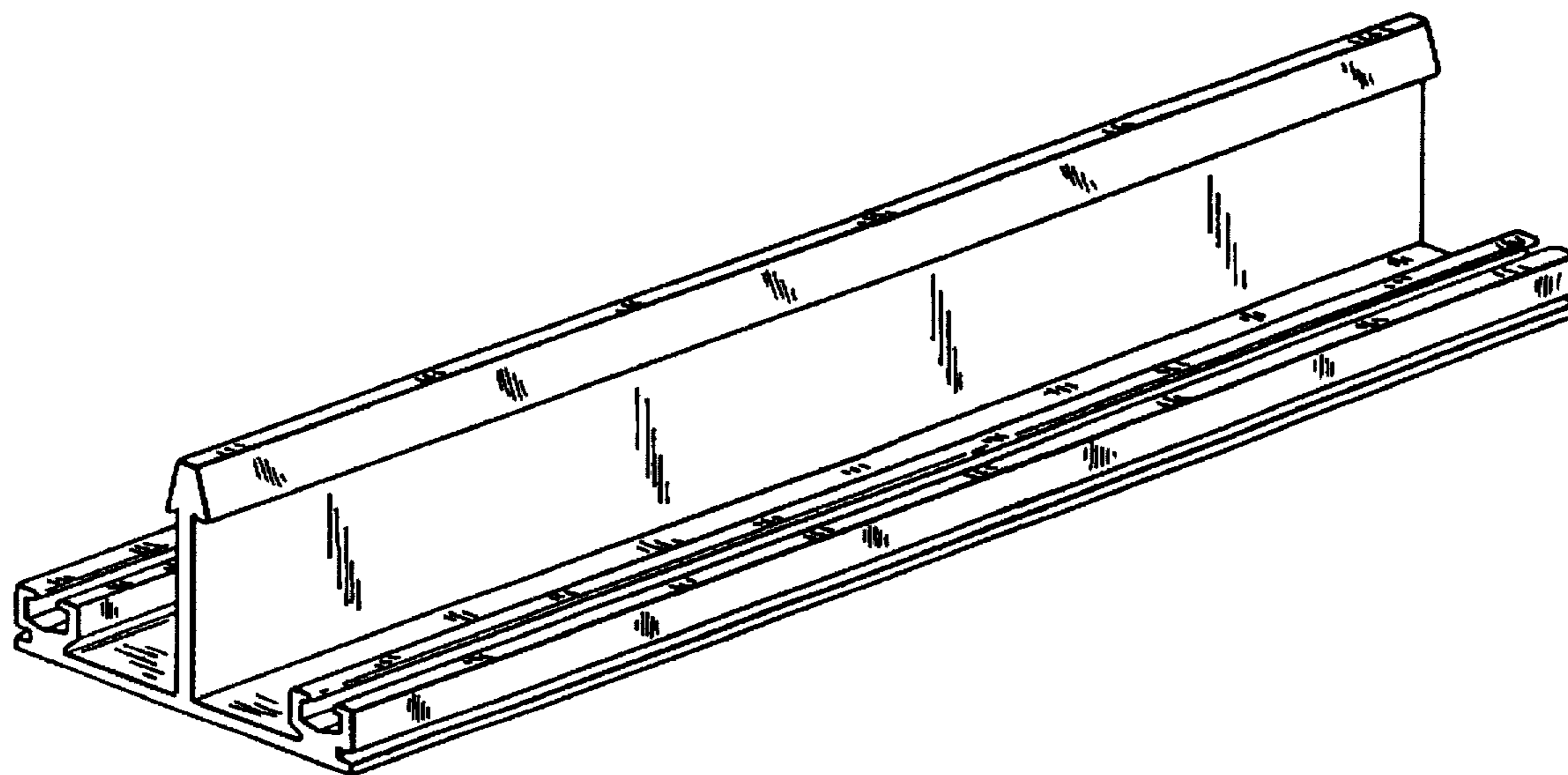
[57] **CLAIM**

The ornamental design for a bar primarily intended for glazing, as shown.

**DESCRIPTION**

FIG. 1 is a perspective view of a bar primarily intended for glazing showing our new design;  
FIG. 2 is an end elevational view thereof;  
FIG. 3 is a side view thereof;  
FIG. 4 is a top plan view thereof; and,  
FIG. 5 is a bottom plan view thereof.

**1 Claim, 2 Drawing Sheets**



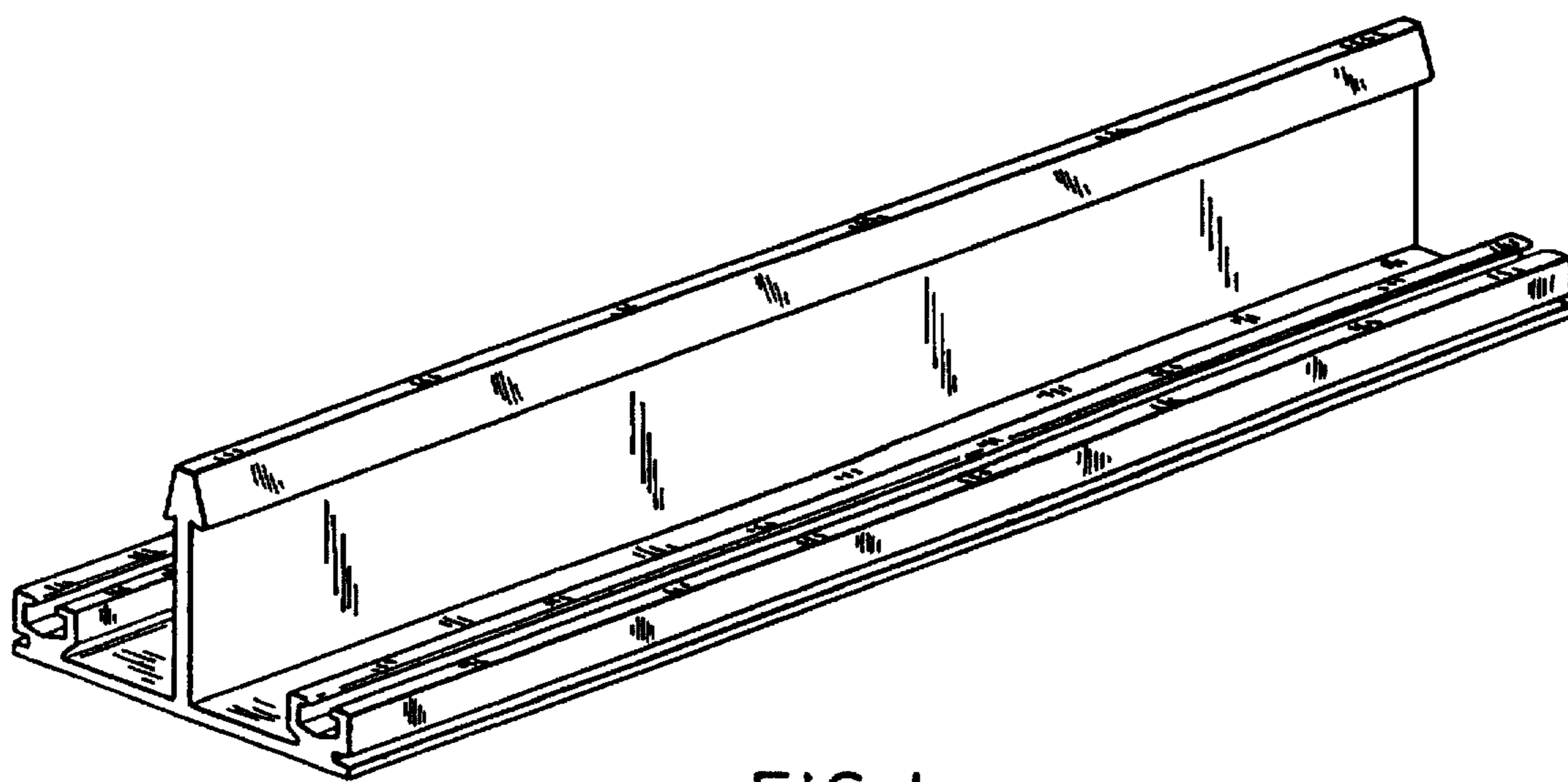


FIG. 1

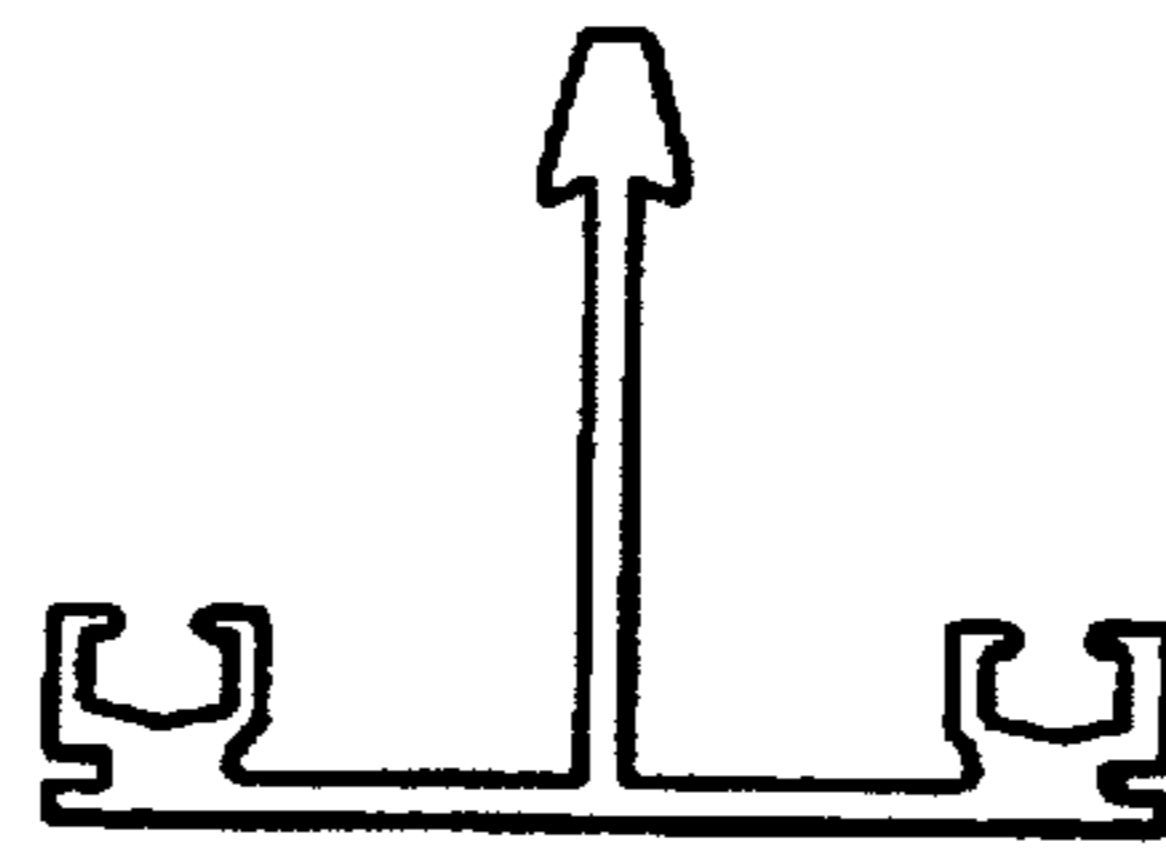


FIG. 2

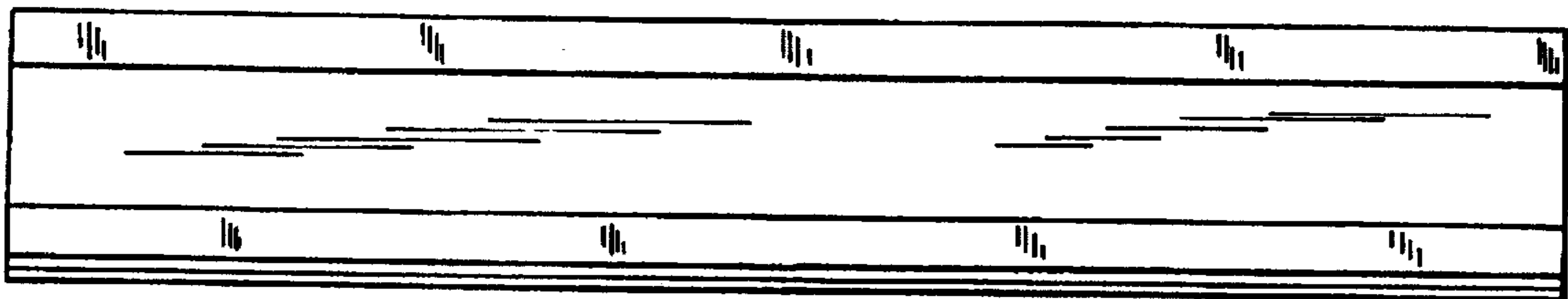


FIG. 3

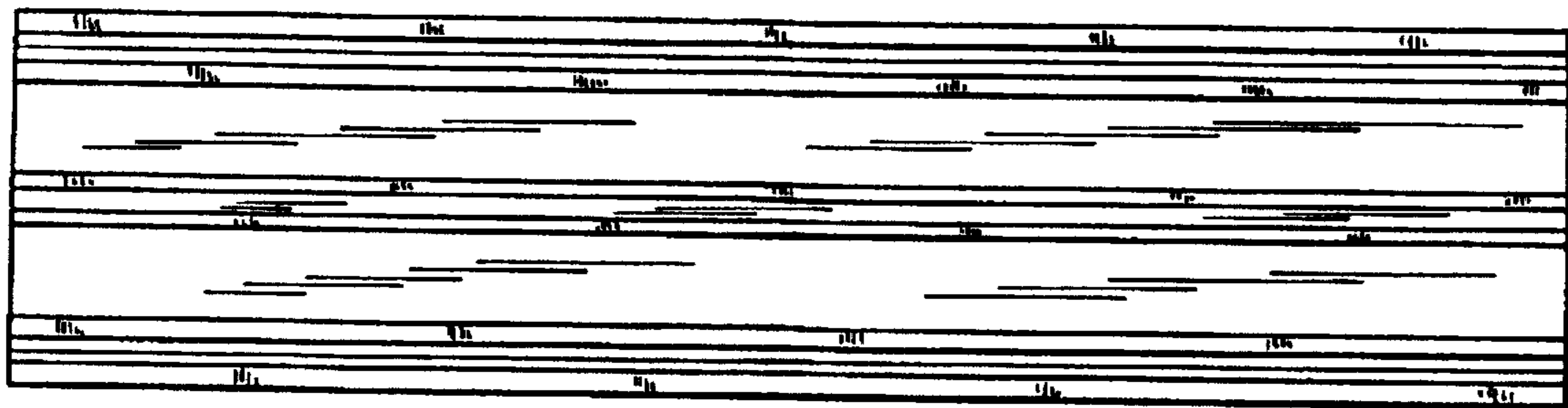


FIG. 4

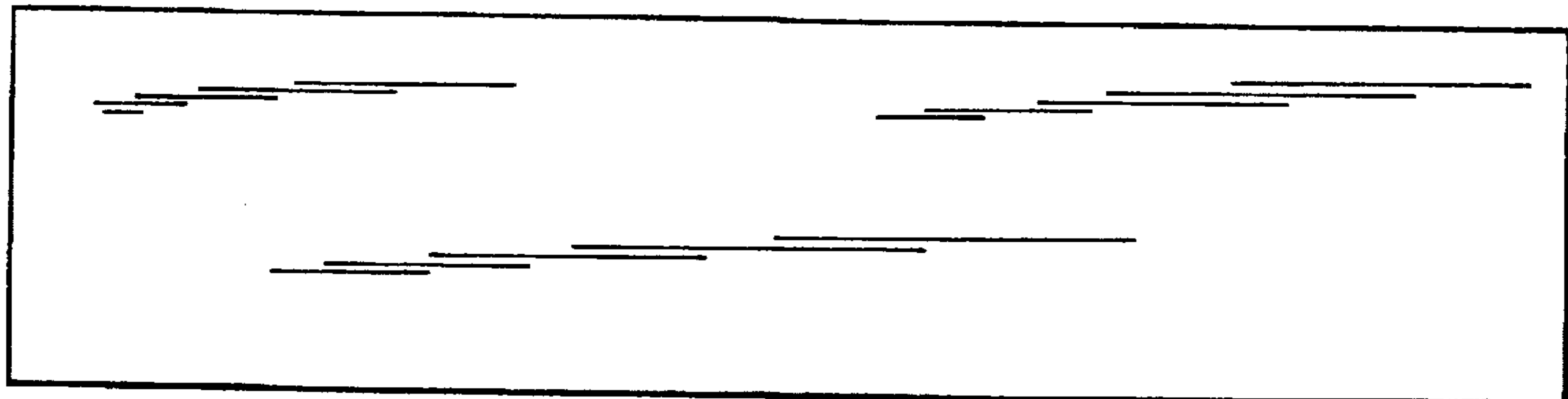


FIG. 5