

US00D388182S

# United States Patent [19]

Payton et al.

[11] Patent Number: Des. 388,182

[45] Date of Patent: \*\*Dec. 23, 1997

[54] COVER STRIP PRIMARILY INTENDED FOR GLAZING

[75] Inventors: David Michael Payton, NR. Whitchurch; Andrew Charles McDougall, Bridgnorth, both of England

[73] Assignee: Davandian Limited, Shropshire, England

[\*\*] Term: 14 Years

[21] Appl. No.: 62,077

[22] Filed: Nov. 7, 1996

[30] Foreign Application Priority Data

May 10, 1996 [GB] United Kingdom ..... 2056226

[51] LOC (6) Cl. .... 25-01

[52] U.S. Cl. .... D25/121

[58] Field of Search ..... D25/121; 52/204.705, 52/204.5, 242; 126/270

[56] References Cited

U.S. PATENT DOCUMENTS

3,556,745	1/1971	Zaremski	.....	D25/121
4,141,339	2/1979	Weinstein	.....	126/270
4,151,691	5/1979	Wendt	.....	52/242

Primary Examiner—Doris Clark

Attorney, Agent, or Firm—Reinhart, Boerner, Van Deuren, Norris & Rieselbach, s.c.

[57] CLAIM

The ornamental design for a cover strip primarily intended for glazing, as shown.

DESCRIPTION

FIG. 1 is a perspective view of a cover strip primarily intended for glazing showing our new design;

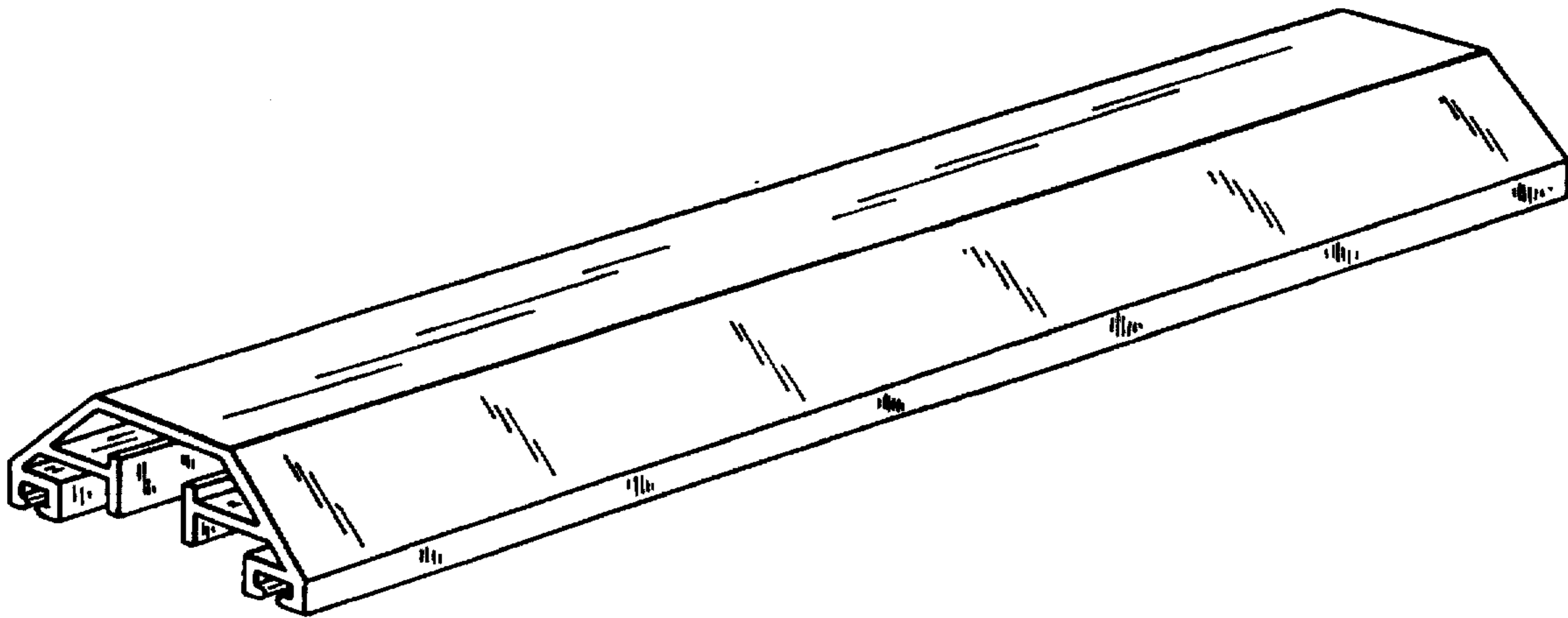
FIG. 2 is an end elevational view thereof;

FIG. 3 is a side view thereof;

FIG. 4 is a top plan view thereof; and,

FIG. 5 is a bottom plan view thereof.

1 Claim, 2 Drawing Sheets



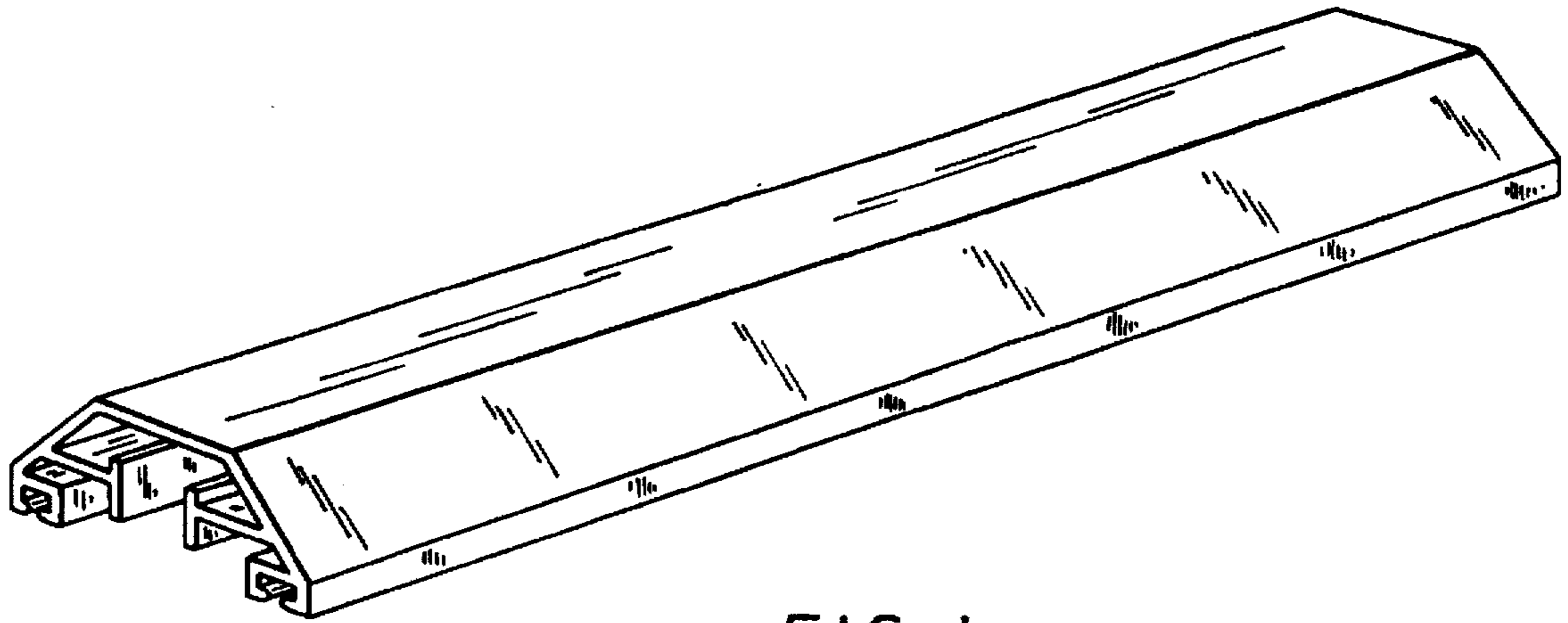


FIG. 1

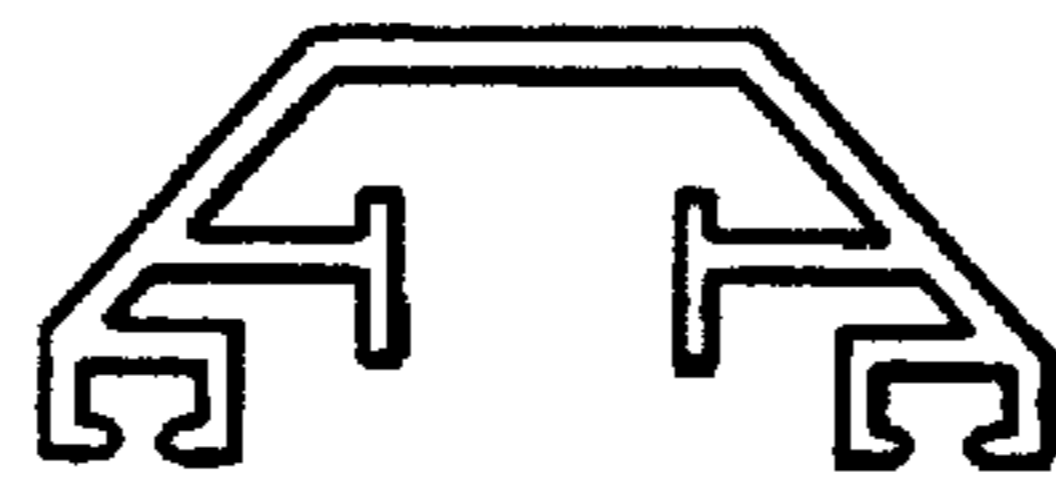


FIG. 2

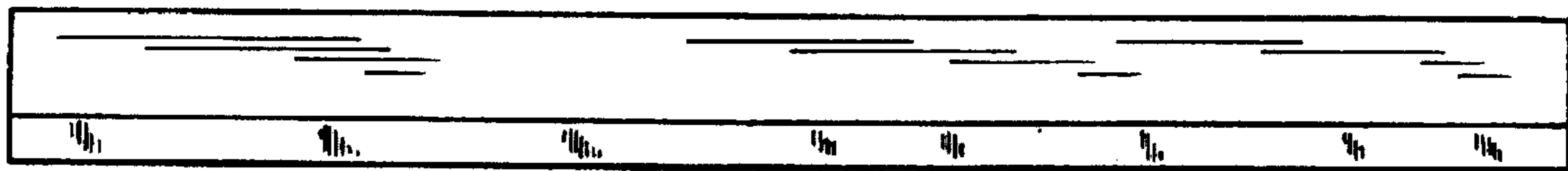


FIG. 3

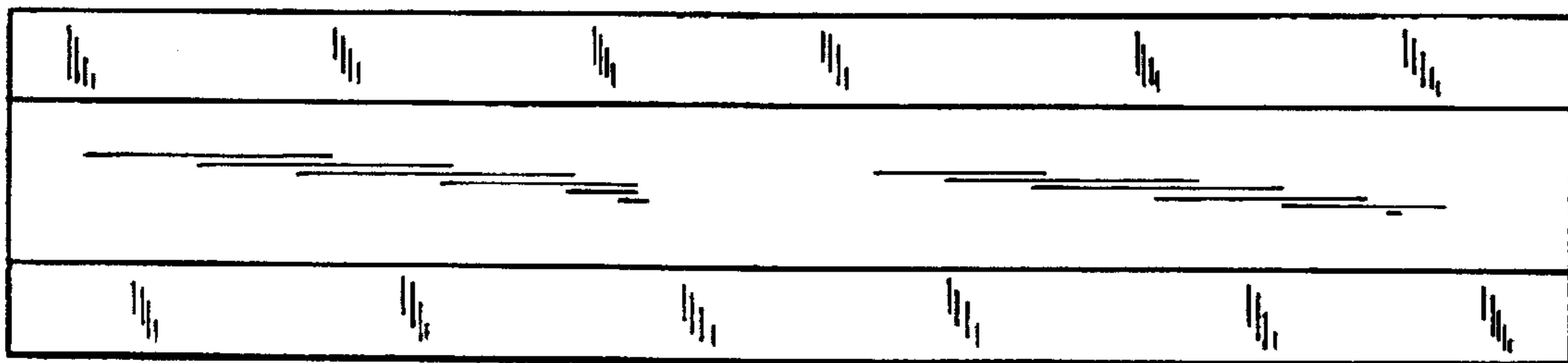


FIG. 4

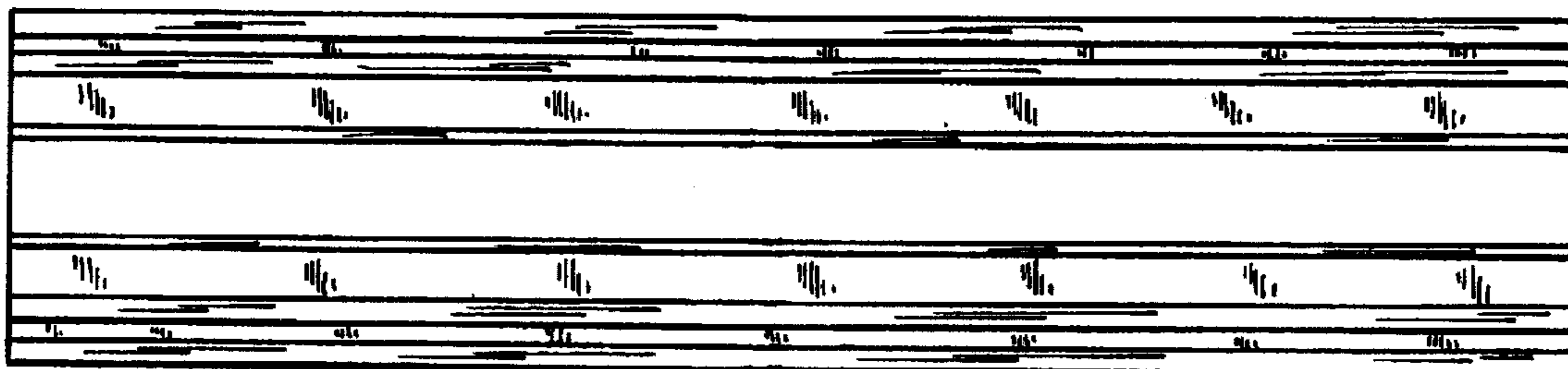


FIG. 5