



US00D388181S

United States Patent [19]

Payton et al.

[11] Patent Number: Des. 388,181

[45] Date of Patent: **Dec. 23, 1997

[54] **BAR PRIMARILY INTENDED FOR GLAZING**

[75] Inventors: **David Michael Payton**, Horsemans Green, Nr. Whitchurch; **Andrew Charles McDougall**; **Peter Figaro Mayes**, both of Bridgnorth, all of United Kingdom

[73] Assignee: **Davandian Limited**, Shropshire, England

[**] Term: **14 Years**

[21] Appl. No.: **62,076**

[22] Filed: **Nov. 7, 1996**

[30] **Foreign Application Priority Data**

May 10, 1996 [GB] United Kingdom 2056228

[51] LOC (6) CL **25-01**

[52] U.S. Cl. **D25/121**

[58] Field of Search D25/121; 52/204.705, 52/204.6, 204.5, 242, 204.57, 204.68, 235, 456, 214; 126/270

[56] **References Cited**

U.S. PATENT DOCUMENTS

D. 260,684	9/1981	Bowman	D25/122
4,977,716	12/1990	Hawkins	52/235
5,617,684	4/1997	Sheath	52/204.57

Primary Examiner—Doris Clark
Attorney, Agent, or Firm—Reinhart, Boerner, Van Deuren, Norris & Rieselbach, s.c.

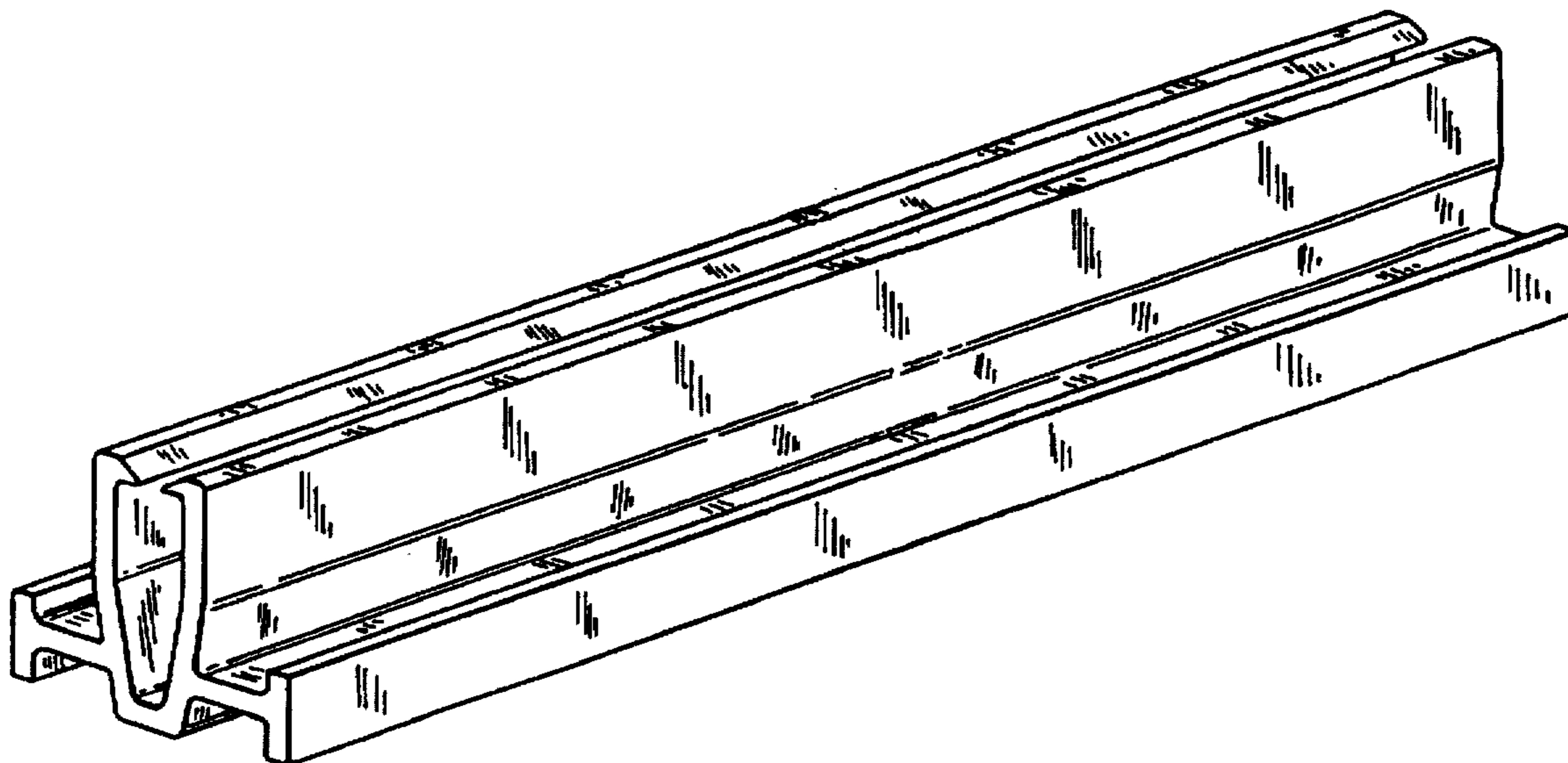
[57] **CLAIM**

The ornamental design for a bar primarily intended for glazing, as shown.

DESCRIPTION

FIG. 1 is a perspective view of a bar primarily intended for glazing showing our new design;
FIG. 2 is an end elevational view thereof;
FIG. 3 is a side view thereof;
FIG. 4 is a top plan view thereof; and,
FIG. 5 is a bottom plan view thereof.

1 Claim, 2 Drawing Sheets



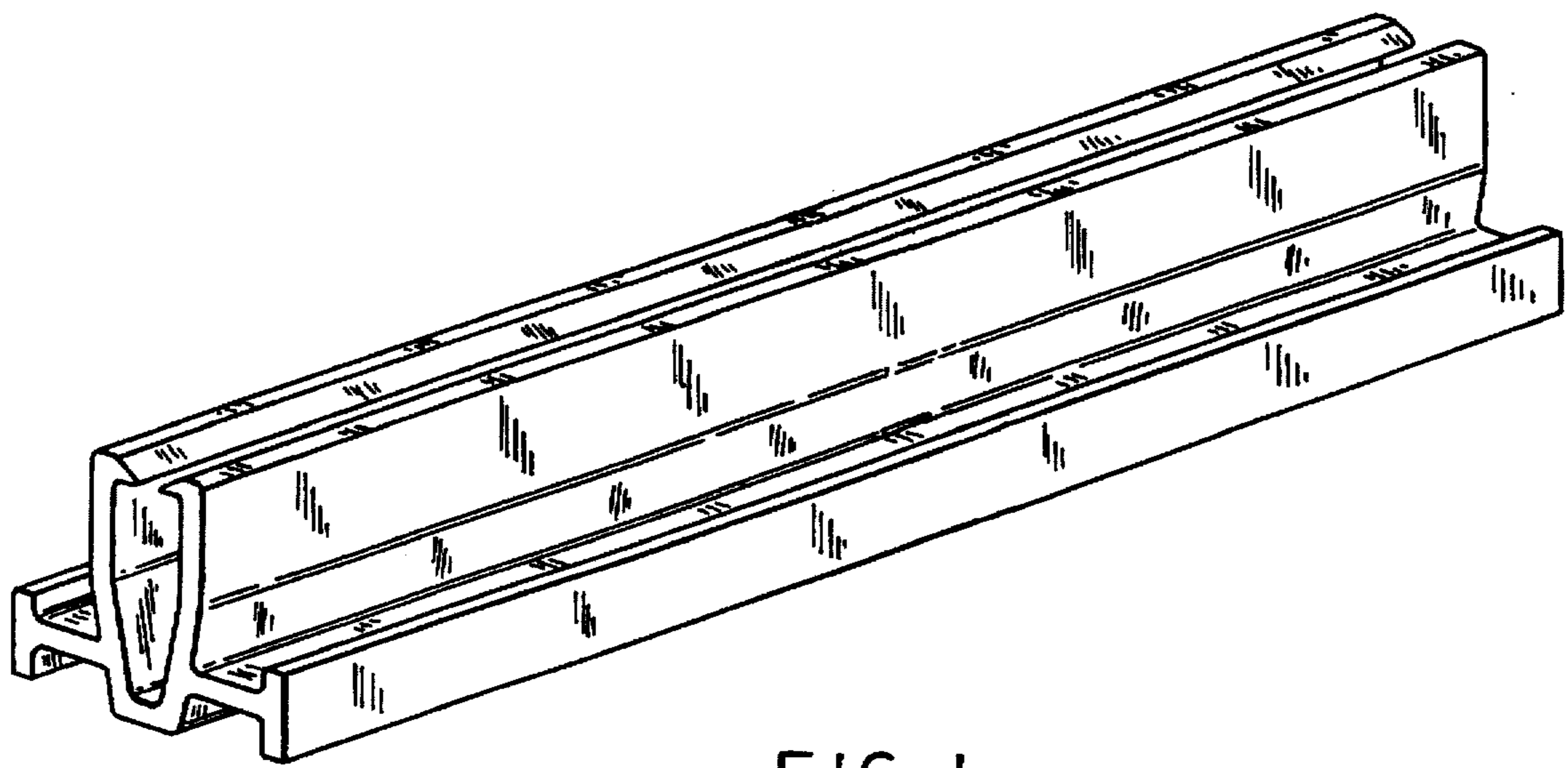


FIG. 1

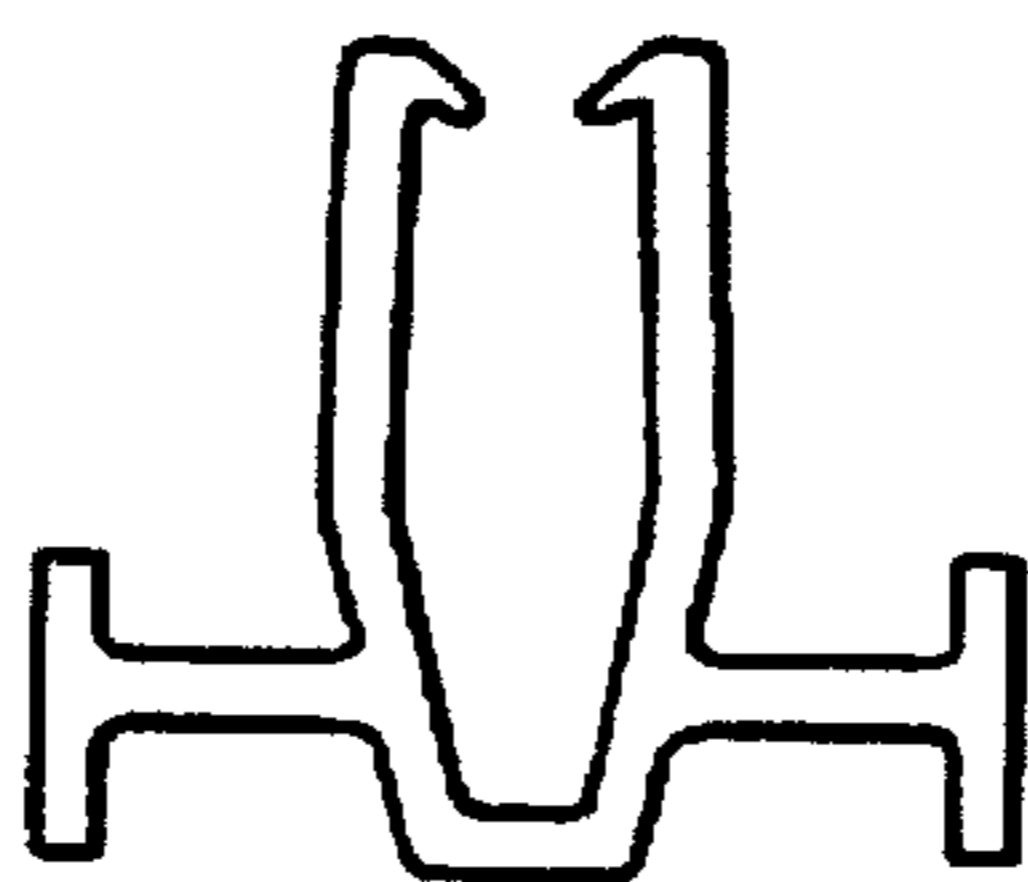


FIG. 2

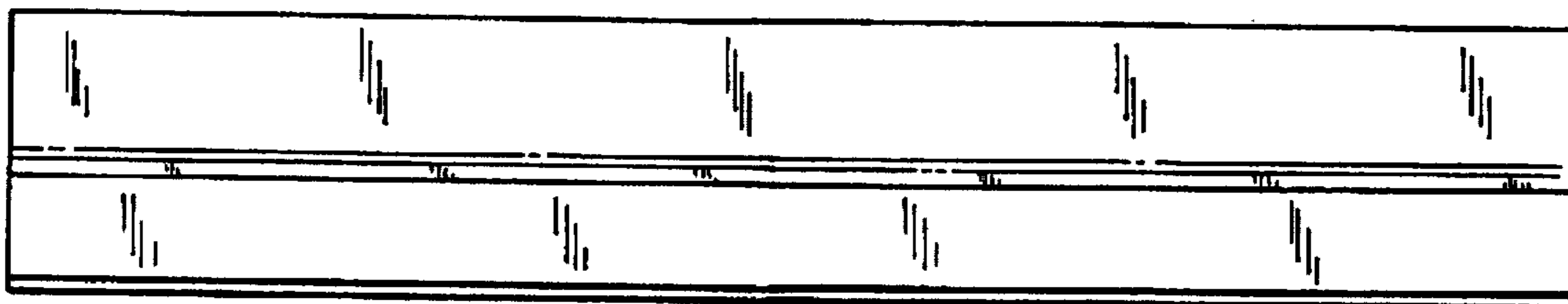


FIG. 3

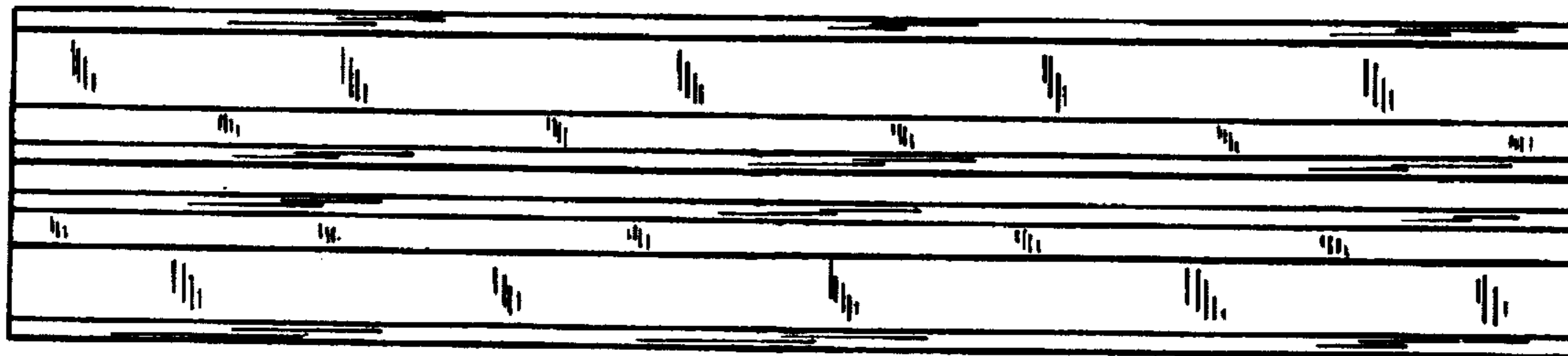


FIG. 4

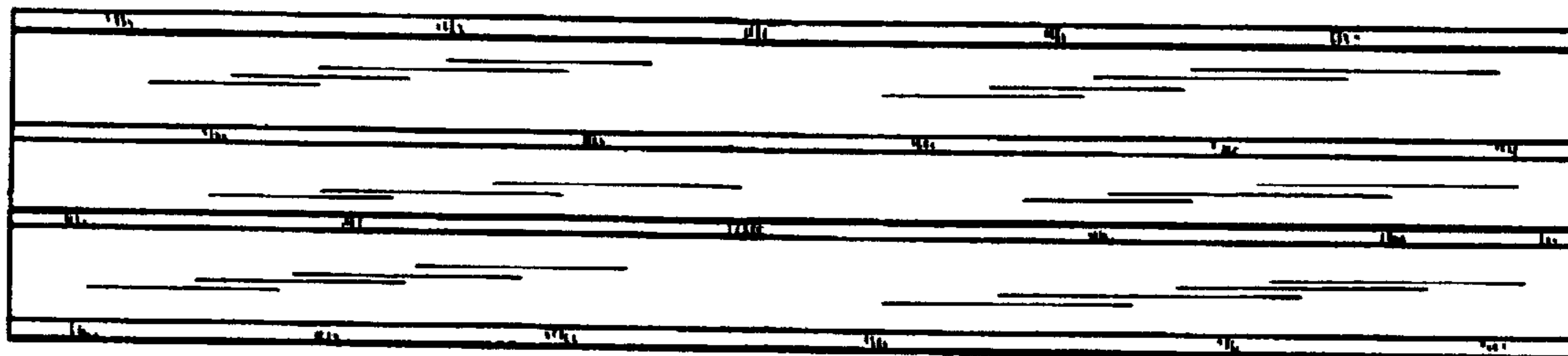


FIG. 5