

US00D388179S

**United States Patent** [19]  
**Toovey**

[11] **Patent Number:** **Des. 388,179**  
[45] **Date of Patent:** **\*\*Dec. 23, 1997**

[54] **BUILDING ELEMENT FOR A CANOPY FASCIA**

[75] **Inventor:** Philip Toovey, Banbury, United Kingdom

[73] **Assignee:** Fina Europe Societe Anonyme

[\*\*] **Term:** 14 Years

[21] **Appl. No.:** 49,636

[22] **Filed:** Jan. 12, 1996

[30] **Foreign Application Priority Data**

Jul. 12, 1995 [WO] WIPO ..... DM/033515

[51] **LOC (6) Cl.** ..... 25-02

[52] **U.S. Cl.** ..... D25/56; D25/55

[58] **Field of Search** ..... D25/55, 56, 57;  
52/73, 74, 75, 36, 77, 78

[56] **References Cited**

**U.S. PATENT DOCUMENTS**

D. 163,939 7/1951 Etten ..... D25/57 X  
D. 268,703 4/1983 Lloyd-Jones ..... D25/55

2,168,811 8/1939 Tyson ..... 52/77 X  
2,296,467 9/1942 Dugan ..... D25/57 X  
2,383,639 8/1945 Ferguson ..... 52/77 X  
2,749,580 6/1956 Coburn ..... 52/74  
4,692,847 9/1987 Gandy ..... 52/74 X

*Primary Examiner*—Louis S. Zarfes  
*Assistant Examiner*—Monica A. Weingart  
*Attorney, Agent, or Firm*—Patterson, Belknap, Webb & Tyler LLP

[57] **CLAIM**

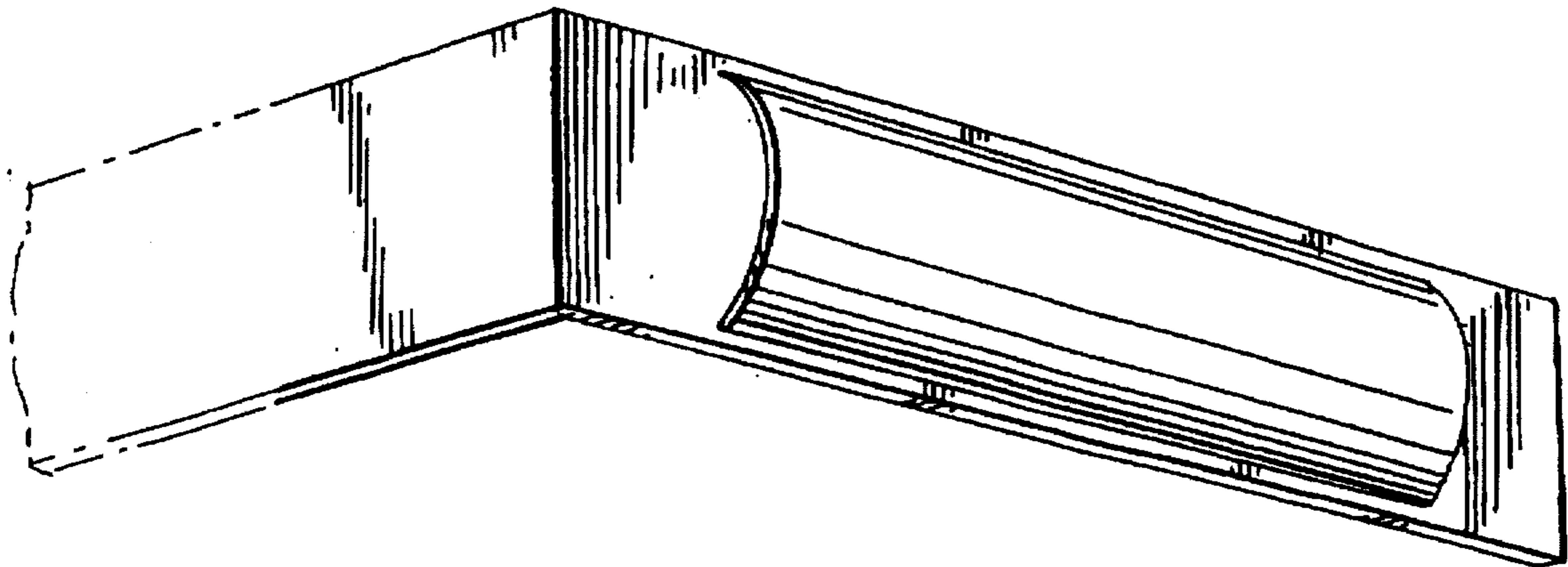
The ornamental design for building element for a canopy fascia, as shown.

**DESCRIPTION**

FIG. 1 is a perspective view of a building element for a canopy fascia showing my new design; FIG. 2 is a top view of my design; FIG. 3 is a side view of my design; and, FIG. 4 is a front view of my design.

The broken line showing of the extended arm of the fascia is for illustrative purposes only and forms no part of the claimed design.

**1 Claim, 1 Drawing Sheet**



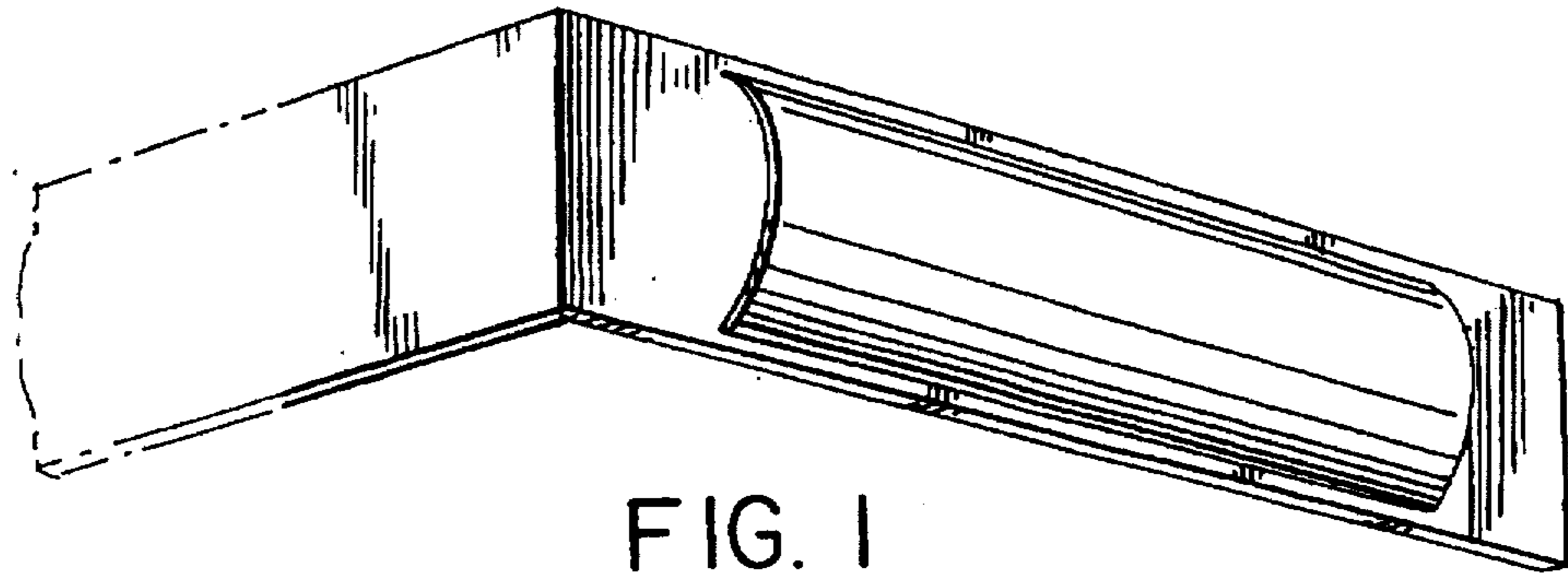


FIG. 1

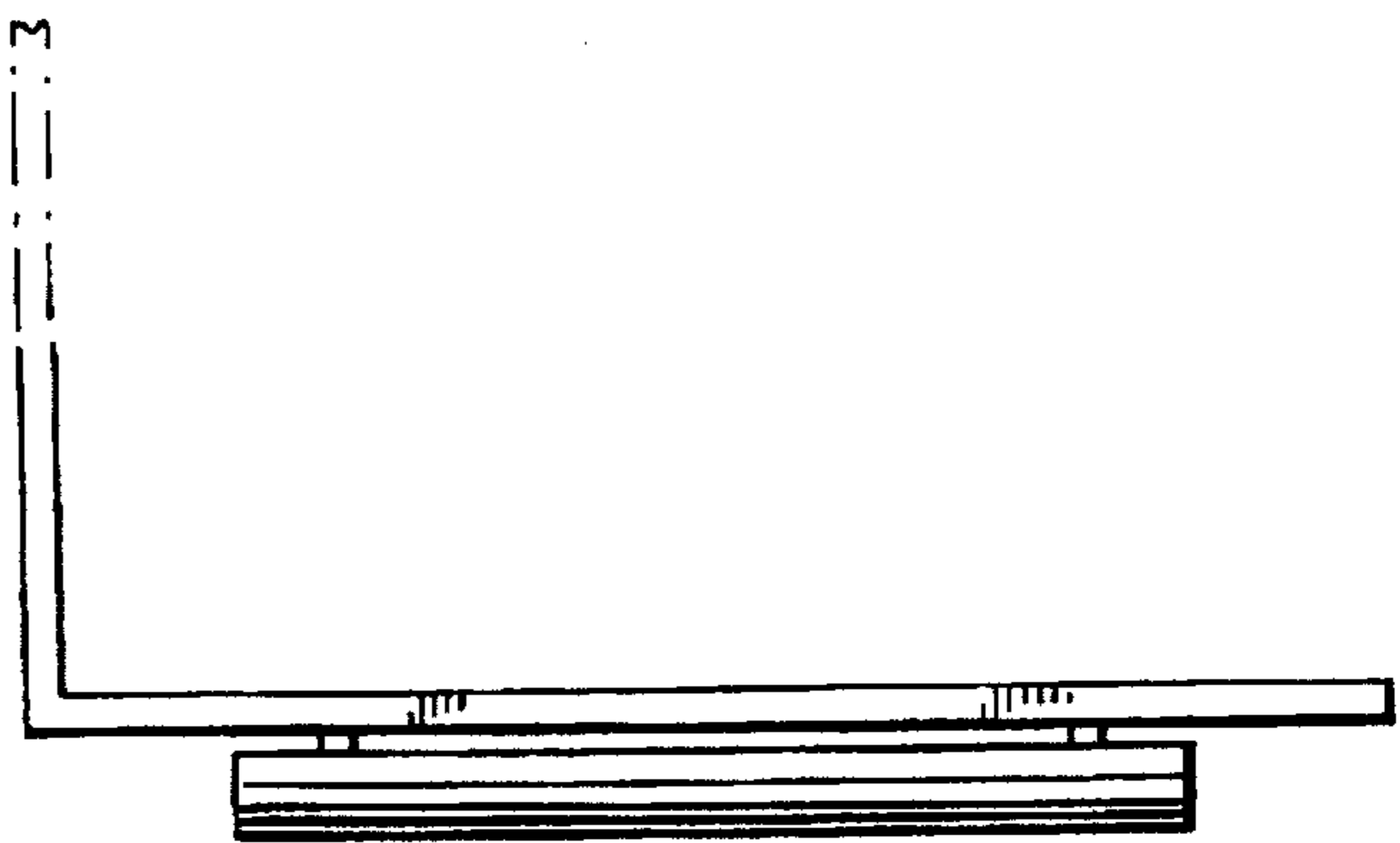


FIG. 2

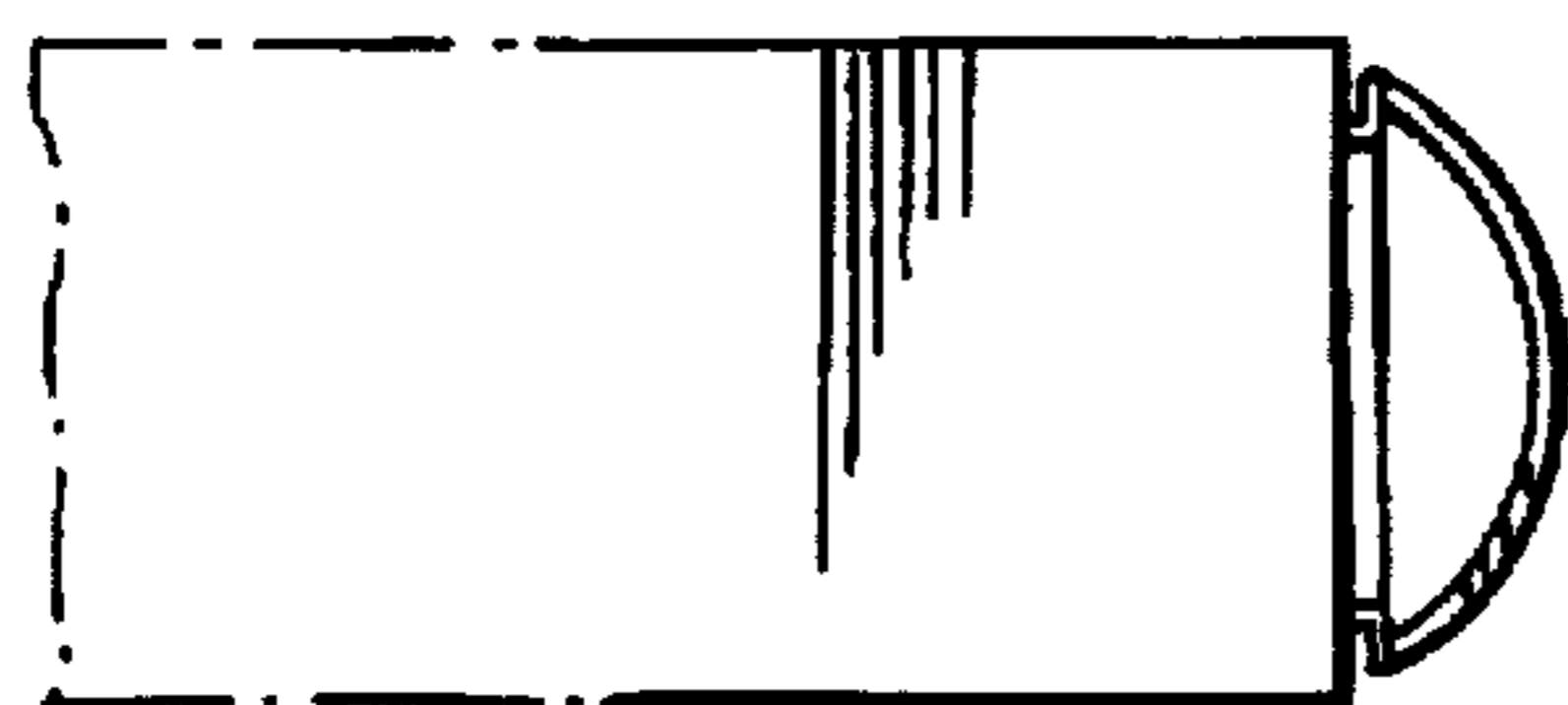


FIG. 3

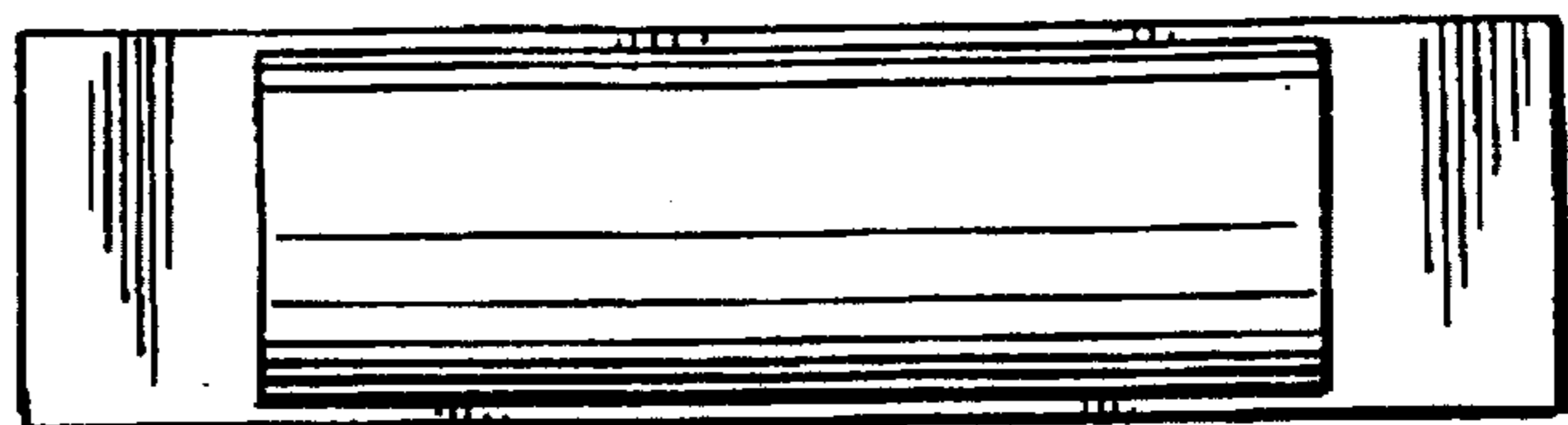


FIG. 4