



US00D388171S

United States Patent [19]
Fekete

[11] **Patent Number: Des. 388,171**
[45] **Date of Patent: **Dec. 23, 1997**

[54] **INSTRUMENT FOR IMPLANTATIONS FOR MANUAL USE**

[75] **Inventor: Guy Fekete, Versailles, France**

[73] **Assignee: Roussel Uclaf, Romainville, France**

[**] **Term: 14 Years**

[21] **Appl. No.: 48,162**

[22] **Filed: Dec. 21, 1995**

[30] **Foreign Application Priority Data**

Jun. 23, 1995 [FR] France 953484

[51] **LOC (6) Cl. 24-01**

[52] **U.S. Cl. D24/133**

[58] **Field of Search D24/114, 146, D24/147, 112, 113; D30/155; 604/57, 59, 60, 62, 64, 117, 134, 135; 128/631, 899**

[56] **References Cited**

U.S. PATENT DOCUMENTS

- D. 319,697 9/1991 Prindle et al. D14/113
- D. 320,270 9/1991 Ball et al. D24/113
- D. 358,644 5/1995 Park D24/146

- 3,538,916 11/1970 Wiles et al. D24/113 X
- 3,669,104 6/1972 Wyatt et al. 604/62 X
- 4,451,254 5/1984 Dinius et al. 604/62
- 4,799,921 1/1989 Johnson et al. 604/62
- 5,250,026 10/1993 Ehrlich et al. 604/60
- 5,405,324 4/1995 Wiegernick 604/60
- 5,514,101 5/1996 Schulz et al. 604/61

Primary Examiner—Louis S. Zarfaz
Assistant Examiner—Frank Martinez
Attorney, Agent, or Firm—Merchant, Gould, Smith, Edell, Welter & Schmidt, P.A.

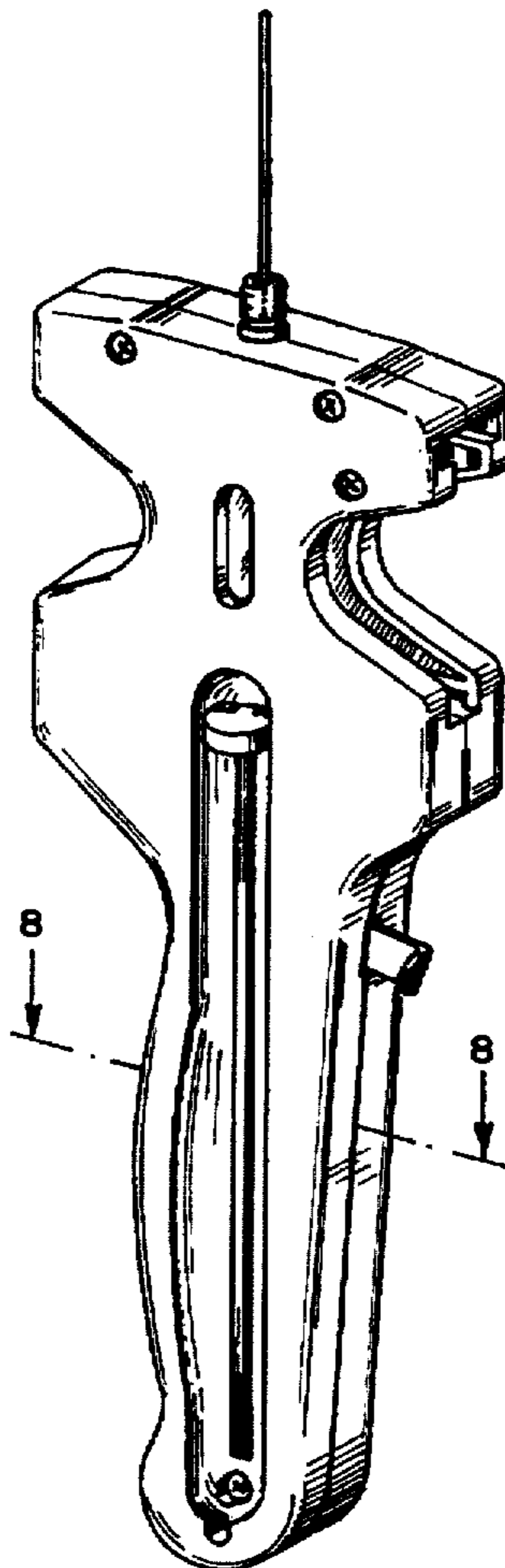
[57] **CLAIM**

The ornamental design for an instrument for implantations for manual use, as shown.

DESCRIPTION

FIG. 1 is a top, front and end perspective view;
FIG. 2 is a side view (right end elevation);
FIG. 3 is a front view;
FIG. 4 is a top plan view;
FIG. 5 is a side view (left end elevation);
FIG. 6 is a rear view;
FIG. 7 is a bottom plan view; and,
FIG. 8 is a partial view taken along lines 8—8 in FIG. 1.

1 Claim, 3 Drawing Sheets



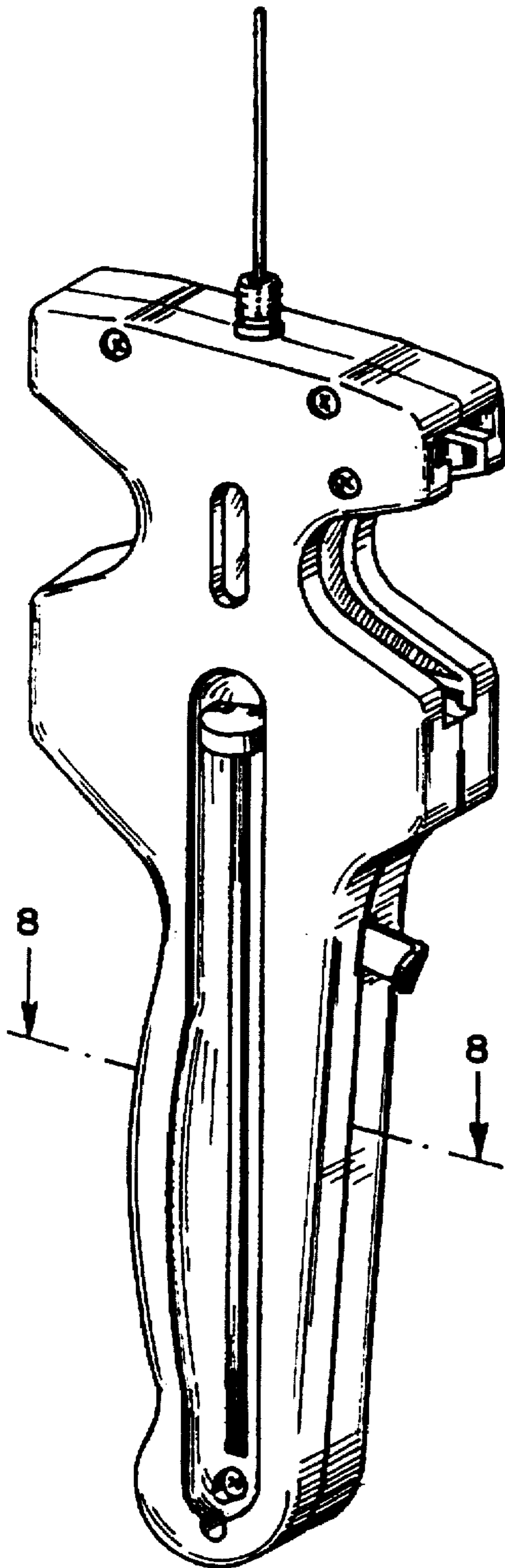


FIG. 1

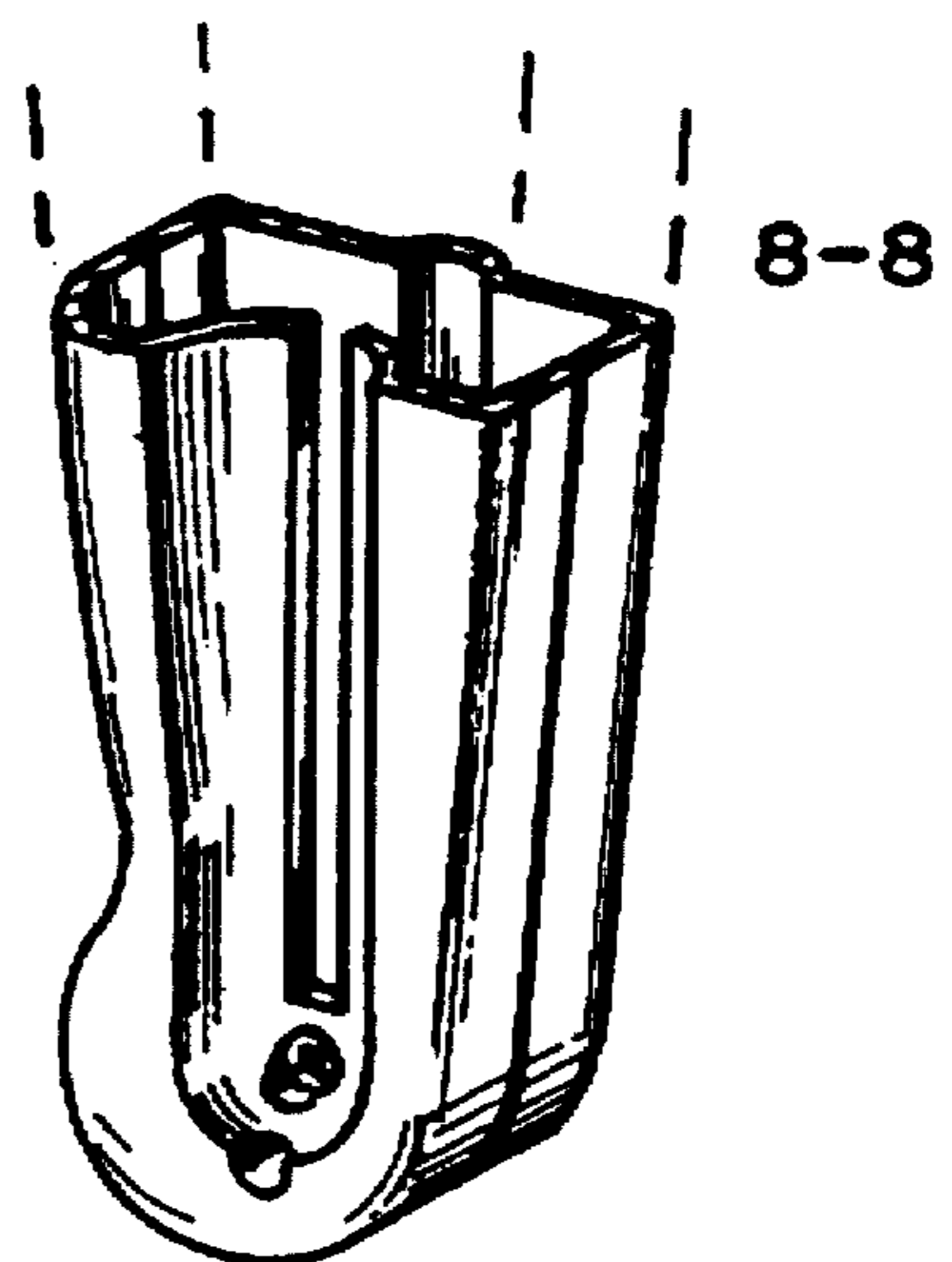


FIG. 8

FIG. 2

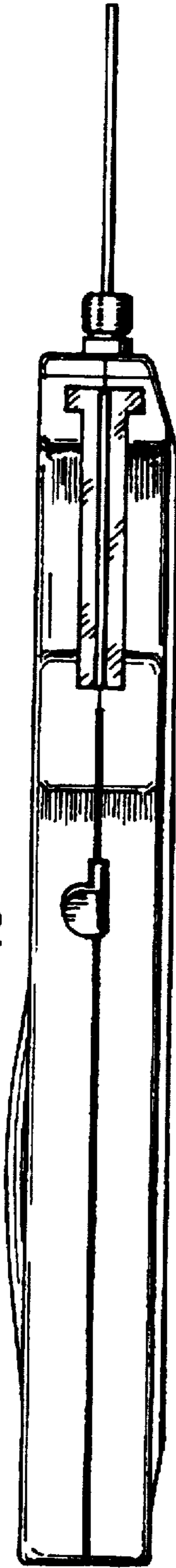


FIG. 3

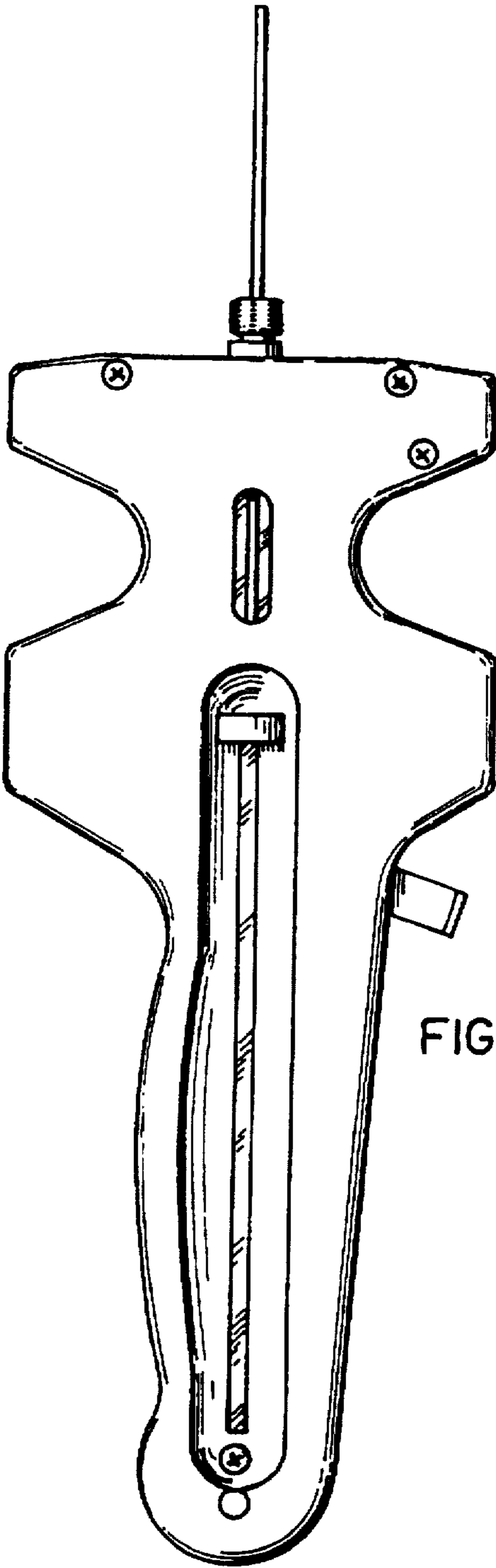


FIG. 4

