



US00D388170S

United States Patent [19] Sjostrom

[11] Patent Number: **Des. 388,170**
[45] Date of Patent: ****Dec. 23, 1997**

[54] **SURGICAL HANDPIECE**
[75] Inventor: **Douglas D. Sjostrom**, Reading, Mass.
[73] Assignee: **Smith & Nephew Endoscopy, Inc.**,
Andover, Mass.
[**] Term: **14 Years**
[21] Appl. No.: **45,831**
[22] Filed: **Oct. 31, 1995**
[51] **LOC (6) Cl.** **24-02**
[52] **U.S. Cl.** **D24/133**
[58] **Field of Search** D24/144, 112,
D24/133, 146; D8/60, 90; 128/755, 758;
606/80, 180, 167

Product brochure, "A Revolutionary New Shaver System With Quality You Can Count On." Arthrex, Inc., 1994.
Product brochure, "Apex. Peak Performance With Striking Power." Linvatec Corporation, 1995.
1996 Products Catalog, Smith & Nephew Endoscopy, Jan. 1, 1996.

Primary Examiner—Louis S. Zarfes
Assistant Examiner—Frank Martinez
Attorney, Agent, or Firm—Fish & Richardson P.C.

[57] CLAIM

The ornamental design for a surgical handpiece, as shown and described.

DESCRIPTION

FIG. 1 is a perspective view of a surgical handpiece showing my new design;
FIG. 2 is a side elevation view thereof;
FIG. 3 is a side elevation view thereof, opposite that shown in FIG. 2;
FIG. 4 is a front elevation view thereof;
FIG. 5 is a rear elevation view thereof;
FIG. 6 is a top plan view thereof;
FIG. 7 is a bottom plan view thereof;
FIG. 8 is a perspective view of an alternative surgical handpiece showing my new design; and
FIG. 9 is a side elevation view thereof;
FIG. 10 is a side elevation view thereof, opposite that shown in FIG. 9;
FIG. 11 is a front elevation view thereof;
FIG. 12 is a rear elevation view thereof;
FIG. 13 is a top plan view thereof; and
FIG. 14 is a bottom plan view thereof.

[56] References Cited

U.S. PATENT DOCUMENTS

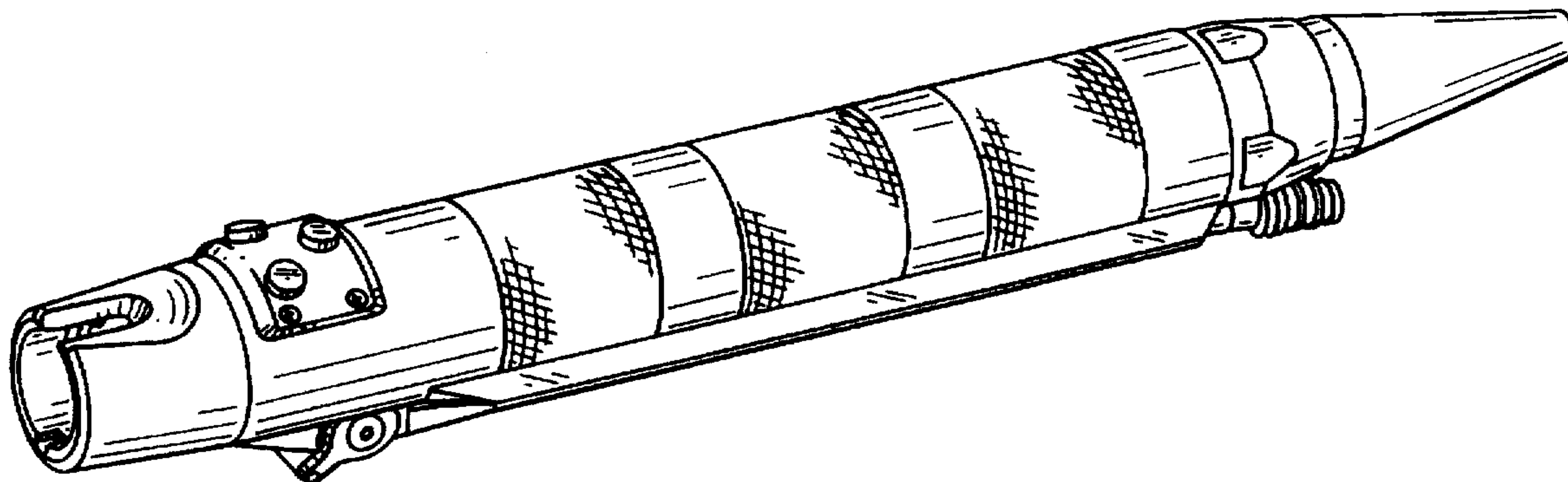
Re. 34,556	3/1994	Sjostrom et al.	606/170
D. 173,326	10/1954	Quackenbush	D8/62
D. 303,148	8/1989	Rexroth et al.	D24/28
D. 320,727	10/1991	Fushiya et al.	D8/62
D. 330,253	10/1992	Burek	D24/144
D. 338,958	8/1993	Jensen	D24/133
D. 370,731	6/1996	Corace et al.	D24/144
3,124,878	3/1964	Bodine, Jr. et al.	D24/146 X
5,217,478	6/1993	Rexroth	606/180

OTHER PUBLICATIONS

Product brochure, "Aesculap Integral Shaver System," Aesculap AG, Orthopaedic Division. (date unknown, admitted prior art).

"Unidrive—A New Shaver System for Surgical Arthroscopy," Endo World, Art No. 3-E, 1994, Karl Storz GmbH & Co., Tuttlingen, Germany and Karl Storz Endoscopy, America.

1 Claim, 6 Drawing Sheets



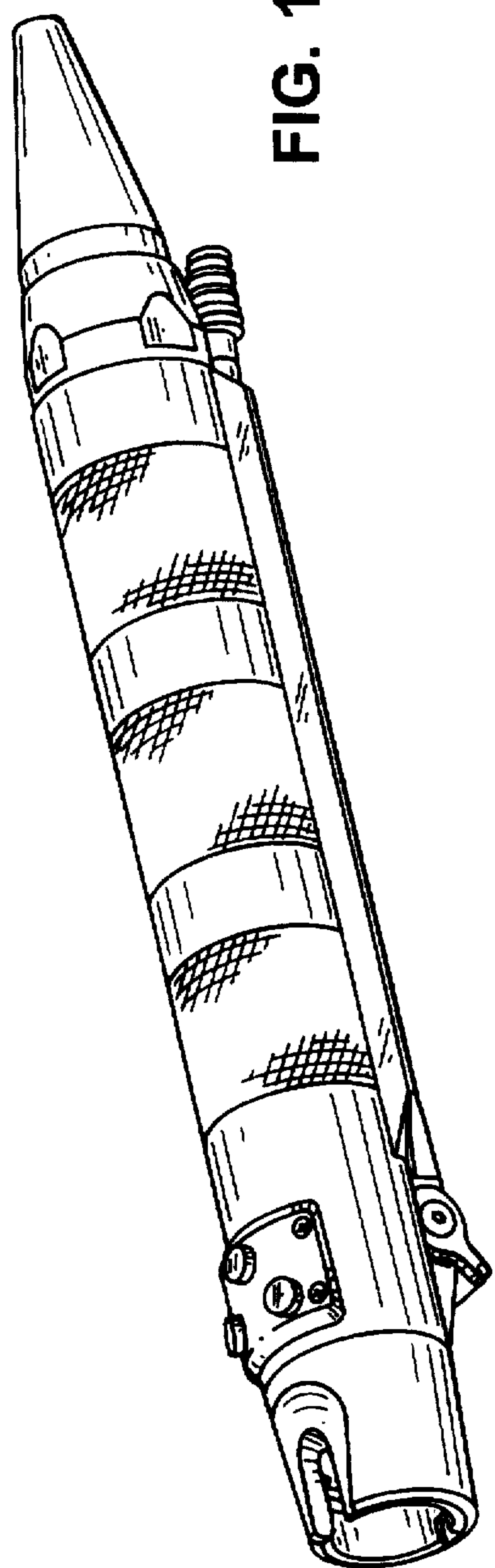


FIG. 1

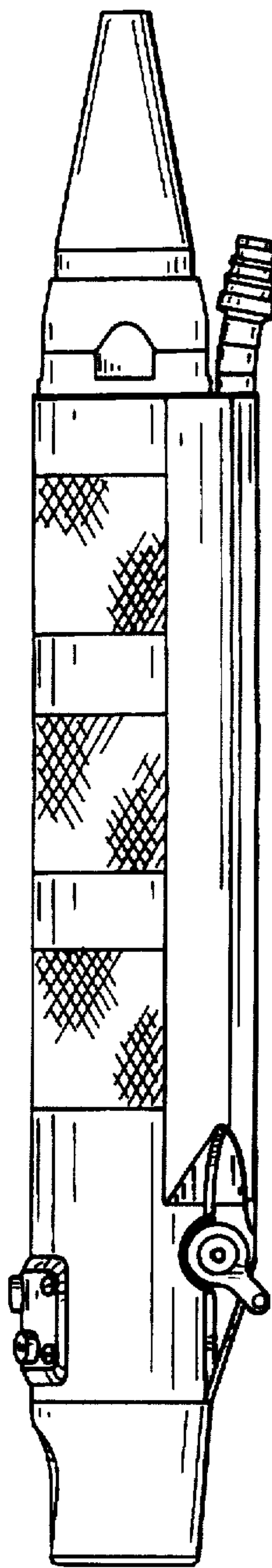


FIG. 2

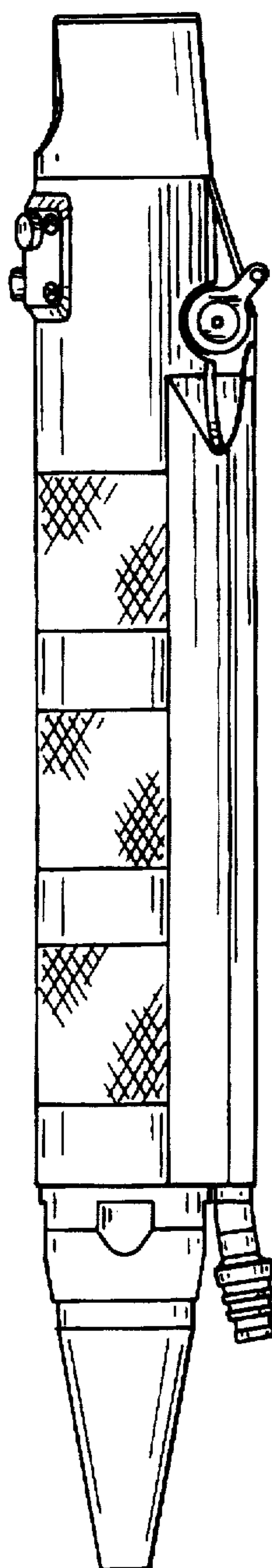


FIG. 3

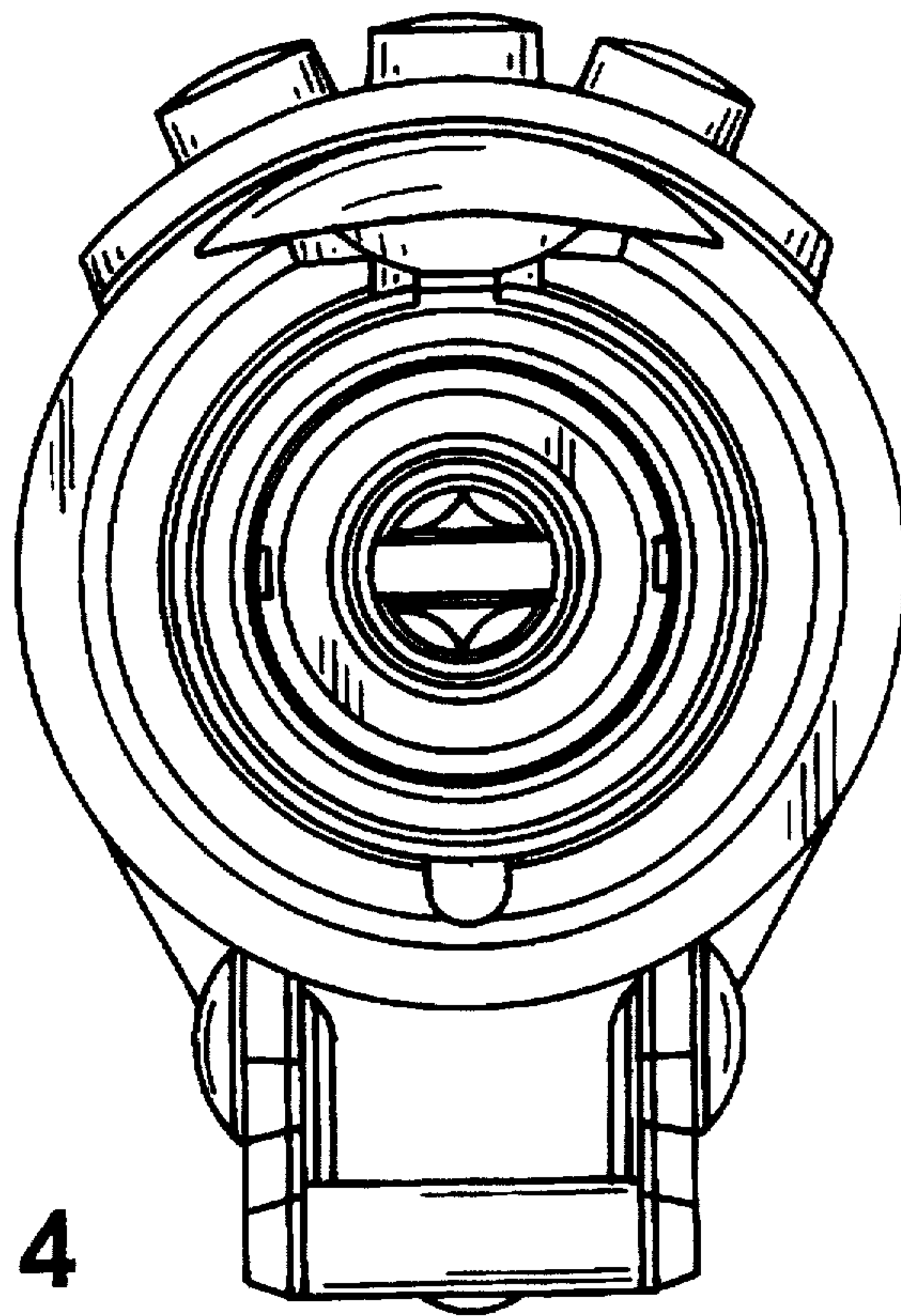


FIG. 4

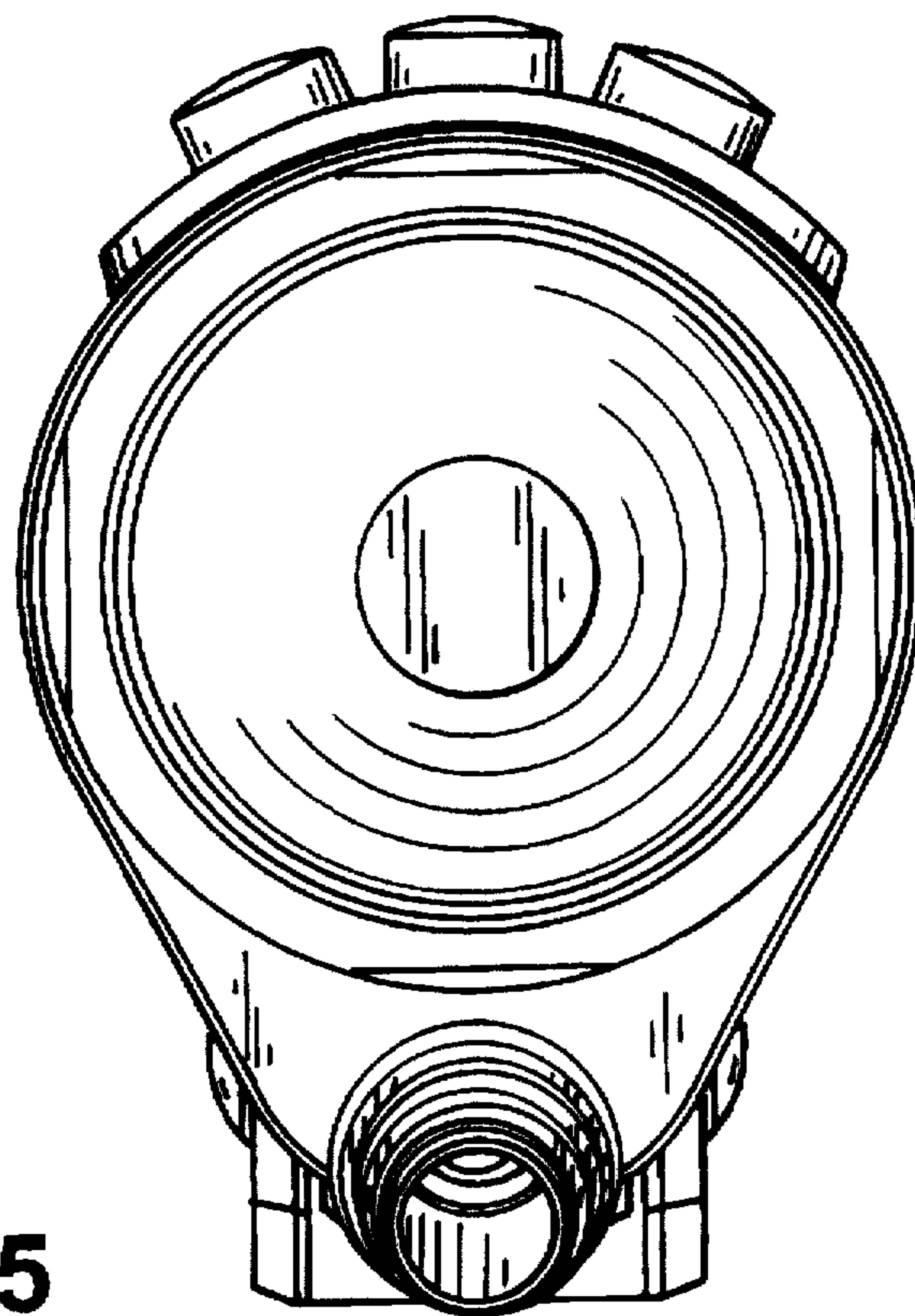


FIG. 5

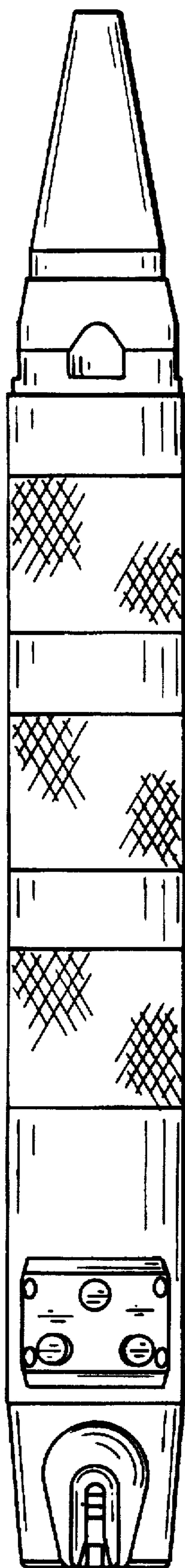


FIG. 6

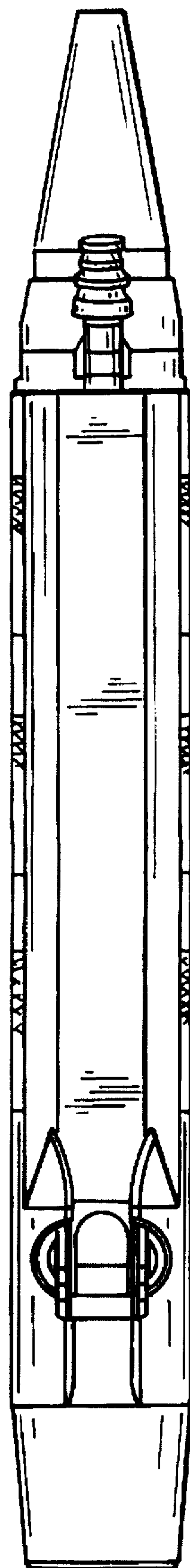


FIG. 7

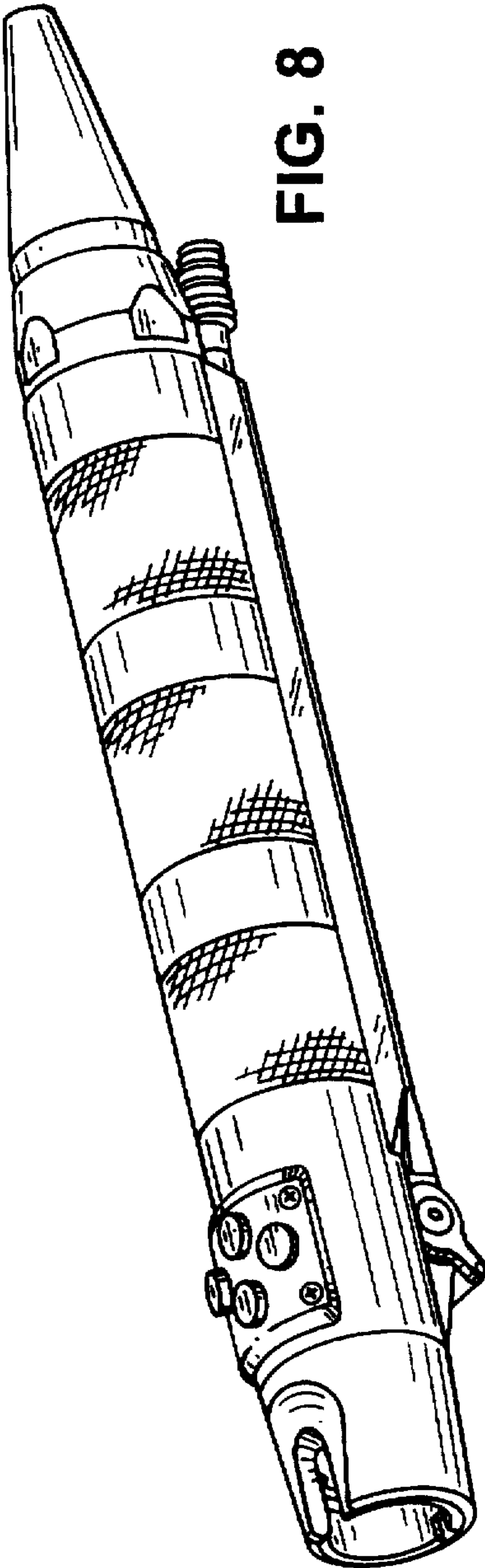


FIG. 8

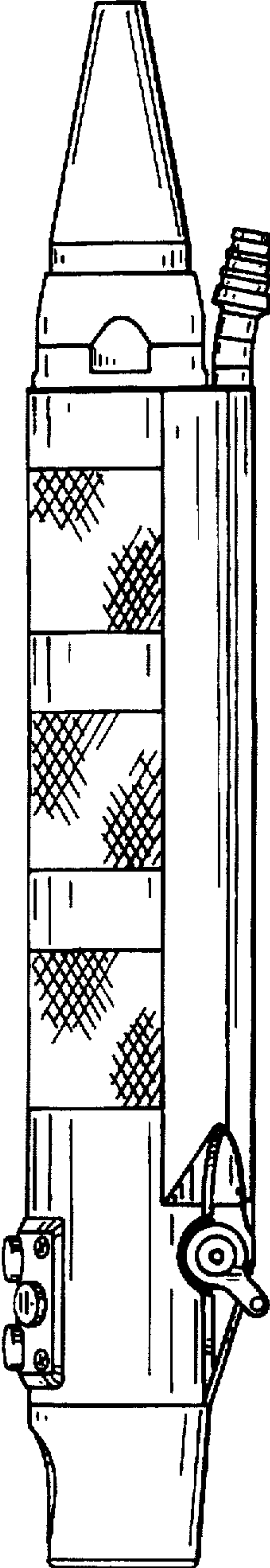


FIG. 9

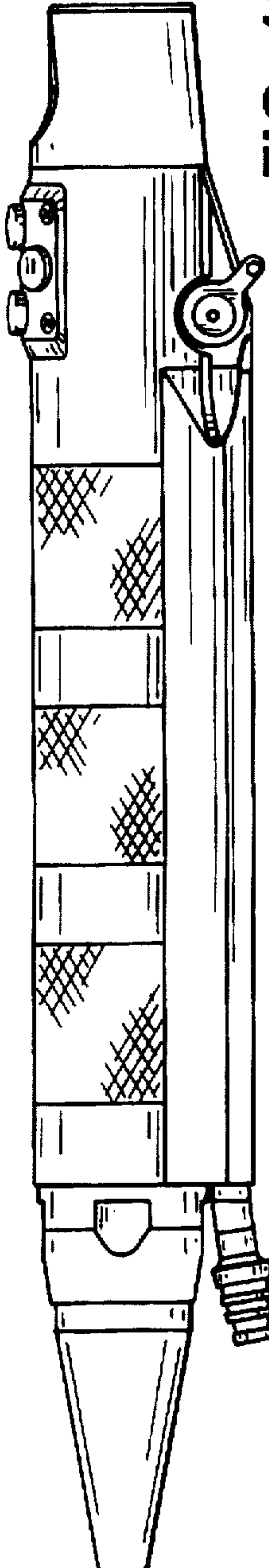


FIG. 10

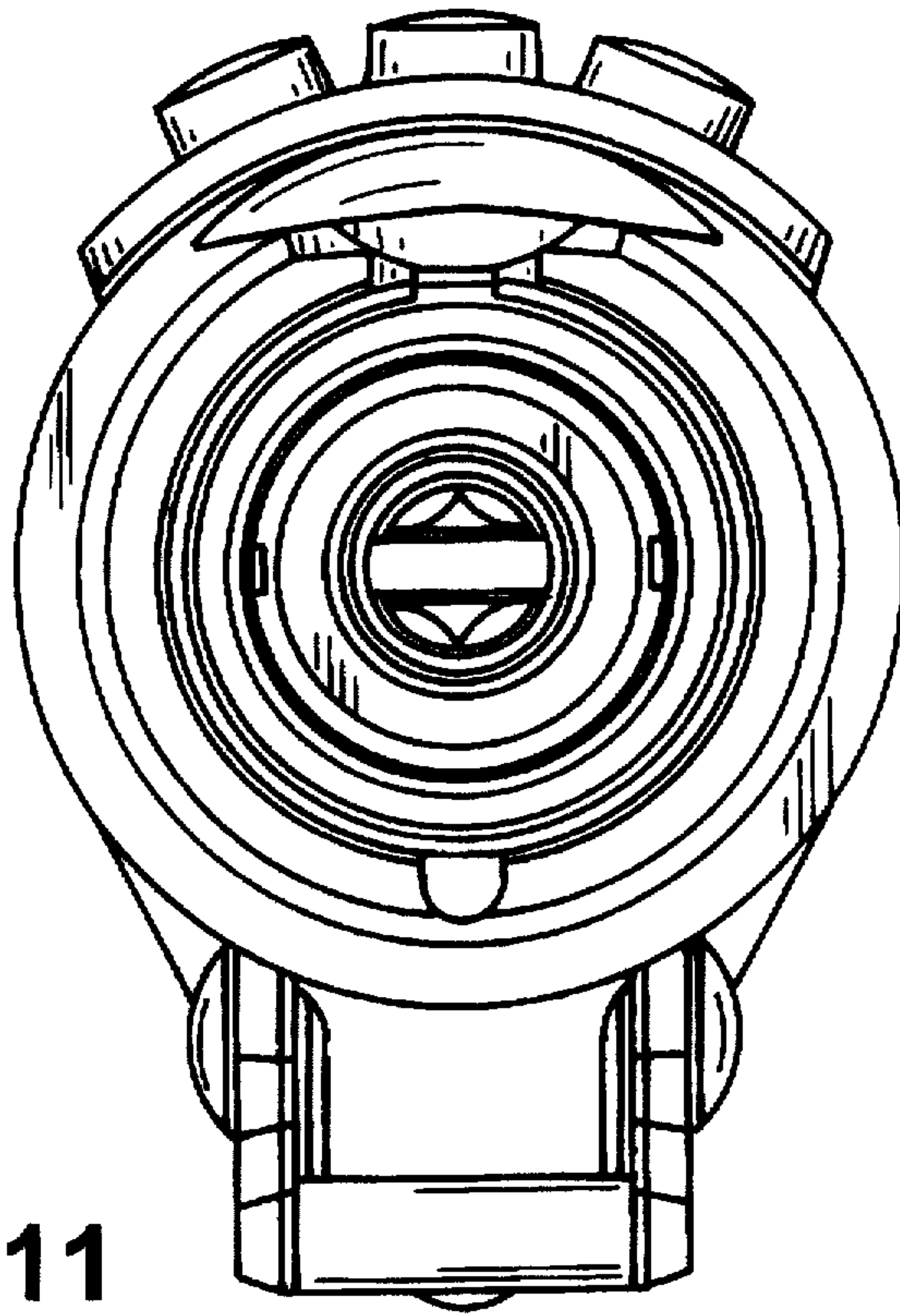


FIG. 11

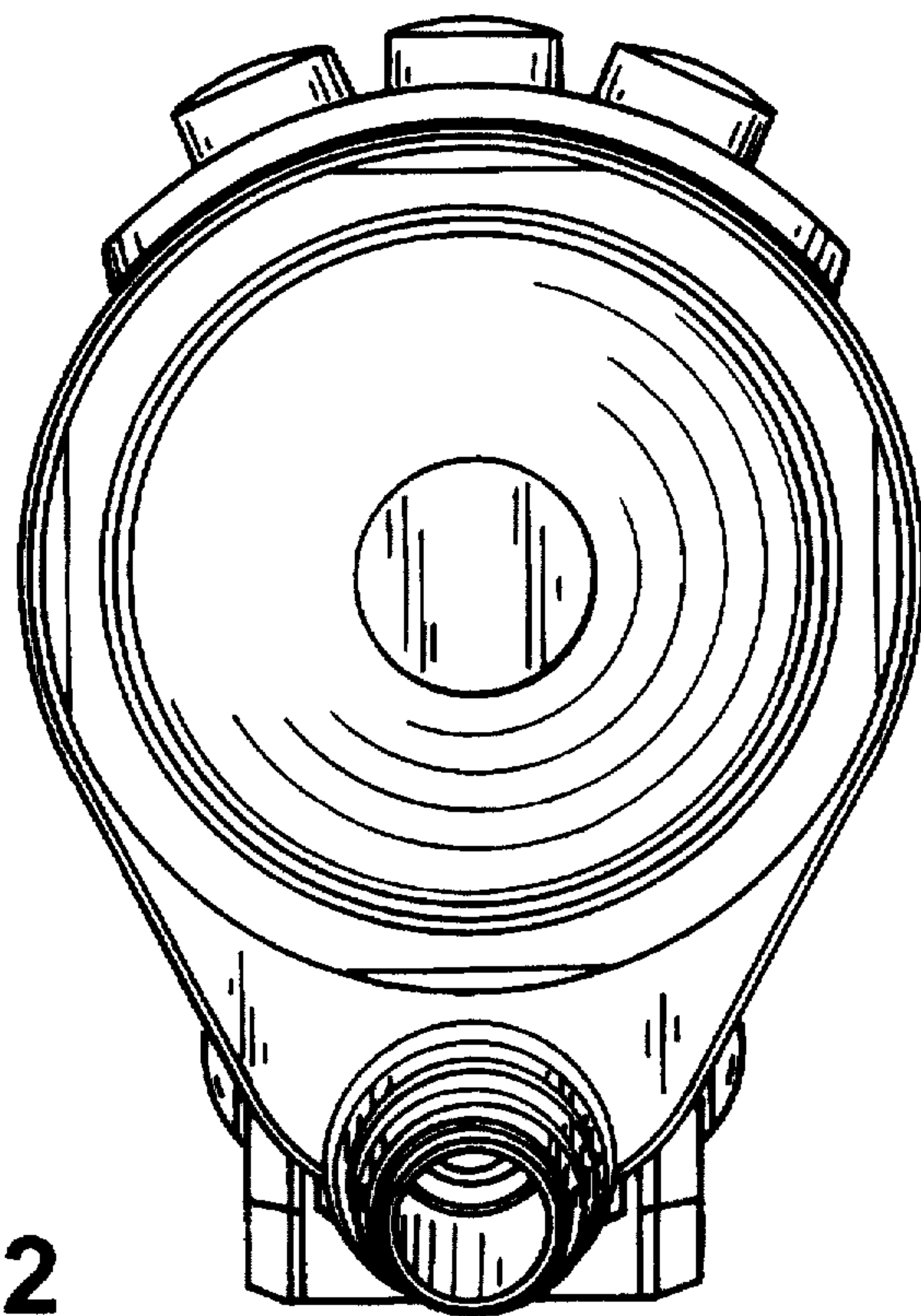


FIG. 12

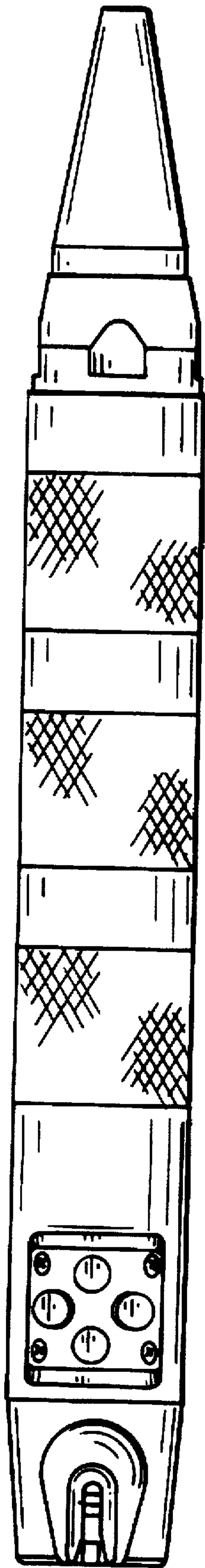


FIG. 13

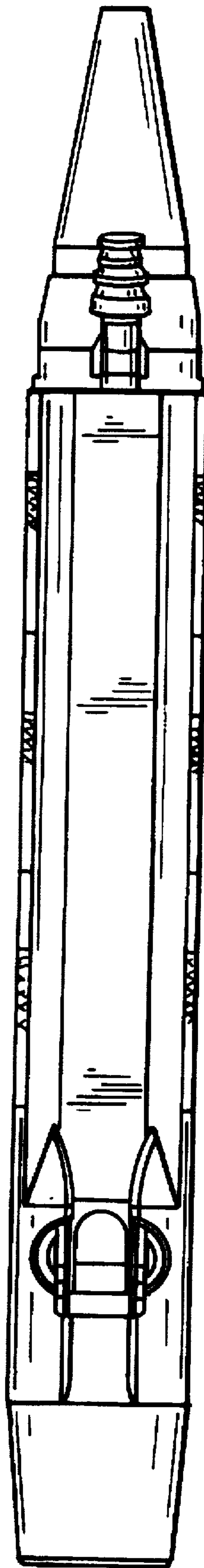


FIG. 14