



US00D388165S

**United States Patent** [19]  
**Johnson**

[11] **Patent Number: Des. 388,165**  
[45] **Date of Patent: \*\*Dec. 23, 1997**

[54] **CEILING FAN BLADE IRON**

[75] **Inventor: Aaron M. Johnson**, Albuquerque, N. Mex.  
[73] **Assignee: National Industries, Inc.**, Albuquerque, N. Mex.  
[\*\*] **Term: 14 Years**

[21] **Appl. No.: 53,621**  
[22] **Filed: Apr. 23, 1996**

[51] **LOC (6) Cl. .... 23-04**  
[52] **U.S. Cl. .... D23/411; D23/385**  
[58] **Field of Search .... D23/377, 379, D23/385, 411; 416/5**

[56] **References Cited**

**U.S. PATENT DOCUMENTS**

D. 355,028 1/1995 Tsuji ..... D23/377  
D. 358,878 5/1995 Tsuji ..... D23/379  
D. 369,405 4/1996 Holbrook ..... D23/377

**OTHER PUBLICATIONS**

Casablanca Fan Co. Cat., p. 12, Ceiling Fan Blade Iron A, top left side of page.

*Primary Examiner*—Lisa Lichtenstein  
*Attorney, Agent, or Firm*—Deborah A. Peacock; Jeffrey D. Myers

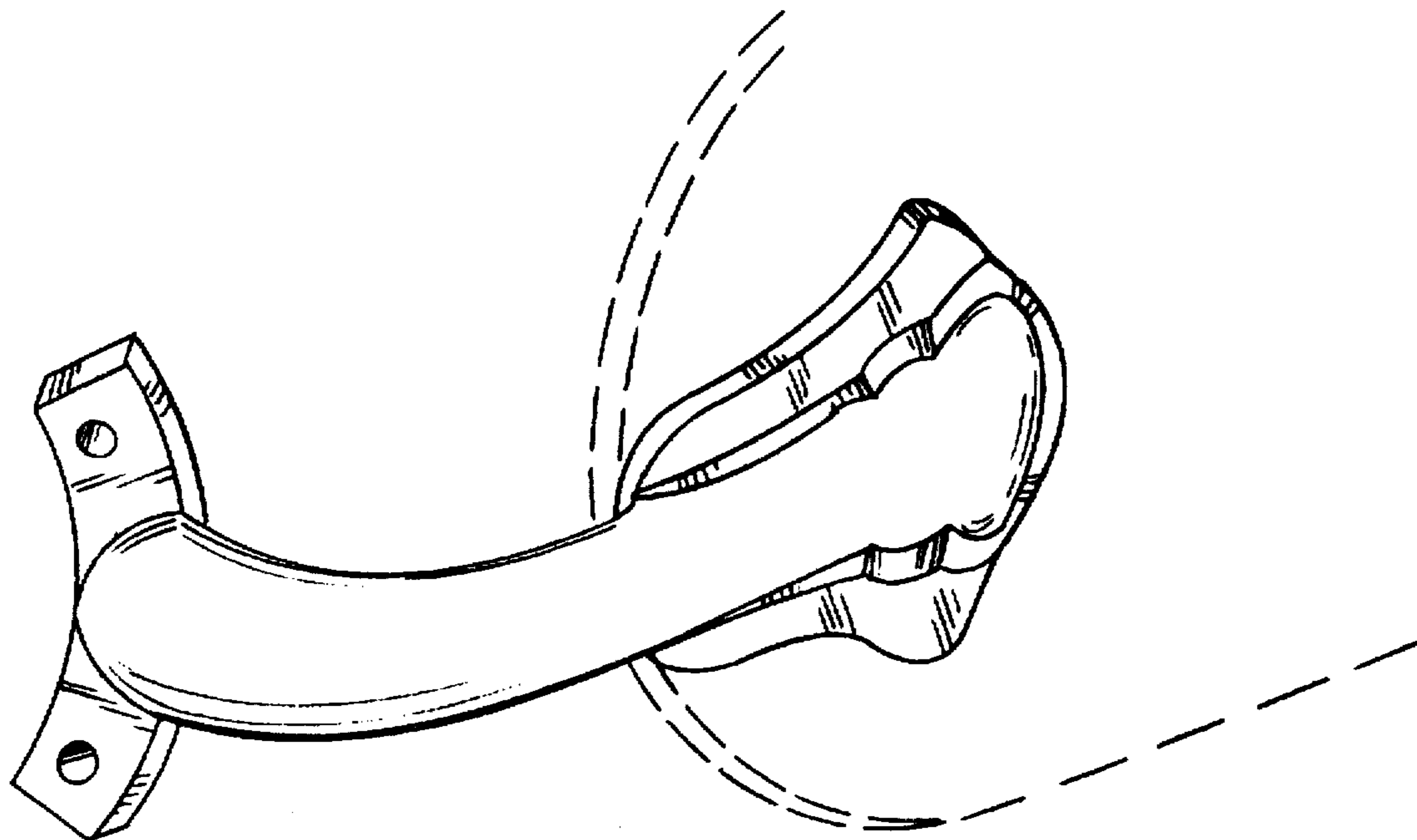
[57] **CLAIM**

The ornamental design for the ceiling fan blade iron, as shown and described.

**DESCRIPTION**

FIG. 1 is a bottom view of a ceiling fan blade iron embodying my new design;  
FIG. 2 is an end view of the ceiling fan blade iron;  
FIG. 3 is another end view of the ceiling fan blade iron;  
FIG. 4 is a side view of the ceiling fan blade iron; and  
FIG. 5 is a perspective view of the ceiling fan blade iron; the broken lines showing a fan blade are for illustrative purposes only and form no part of the claimed design.

**1 Claim, 1 Drawing Sheet**



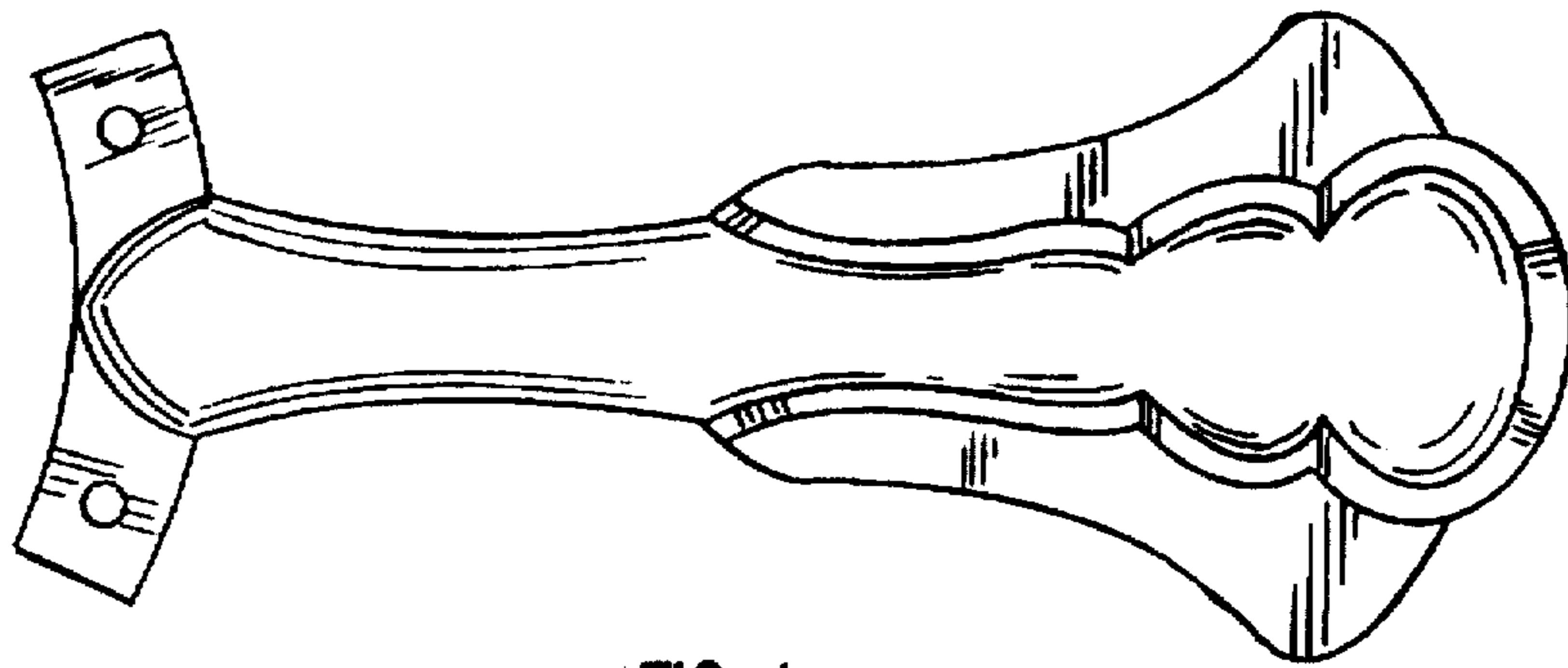


FIG-1

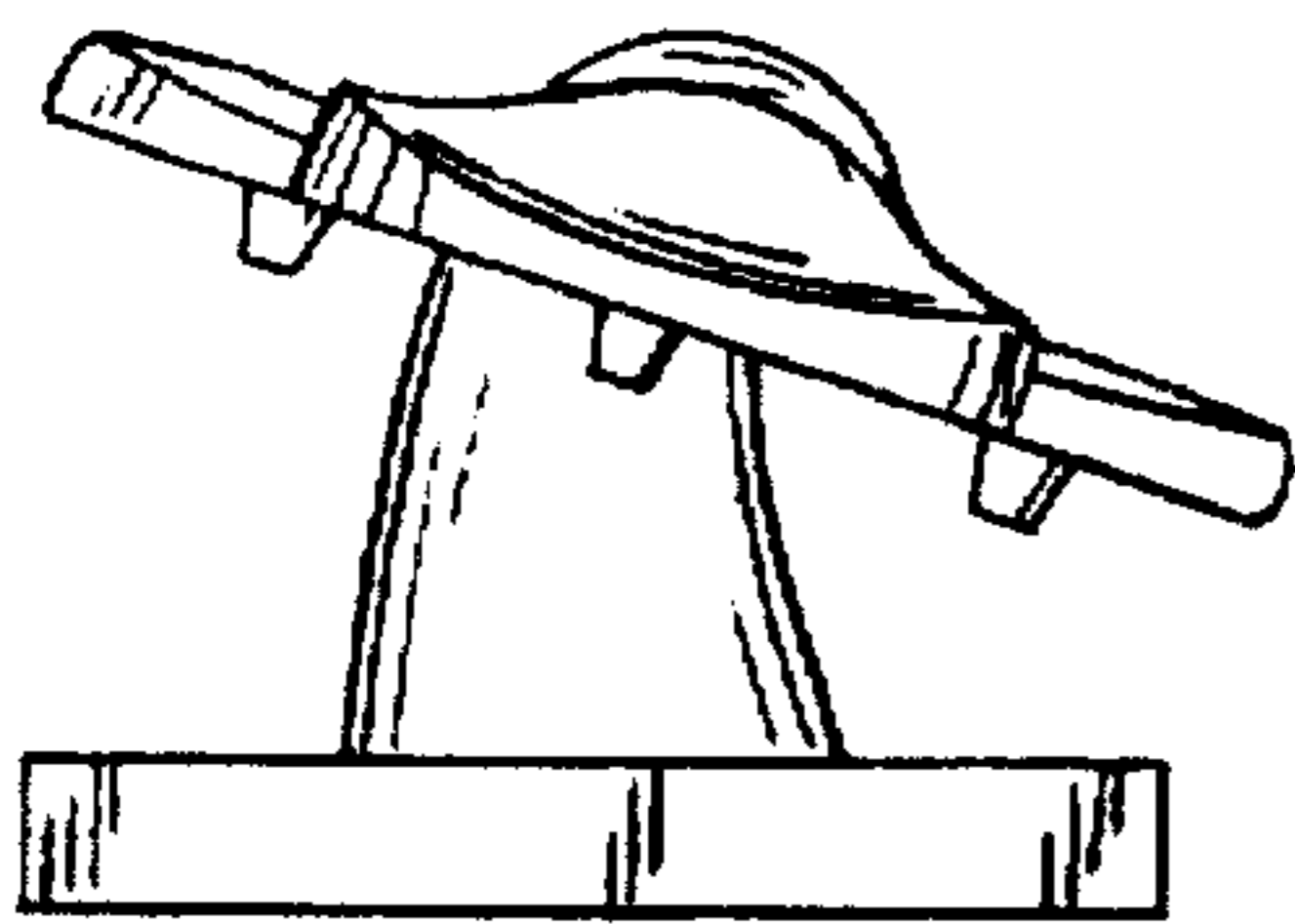


FIG-2

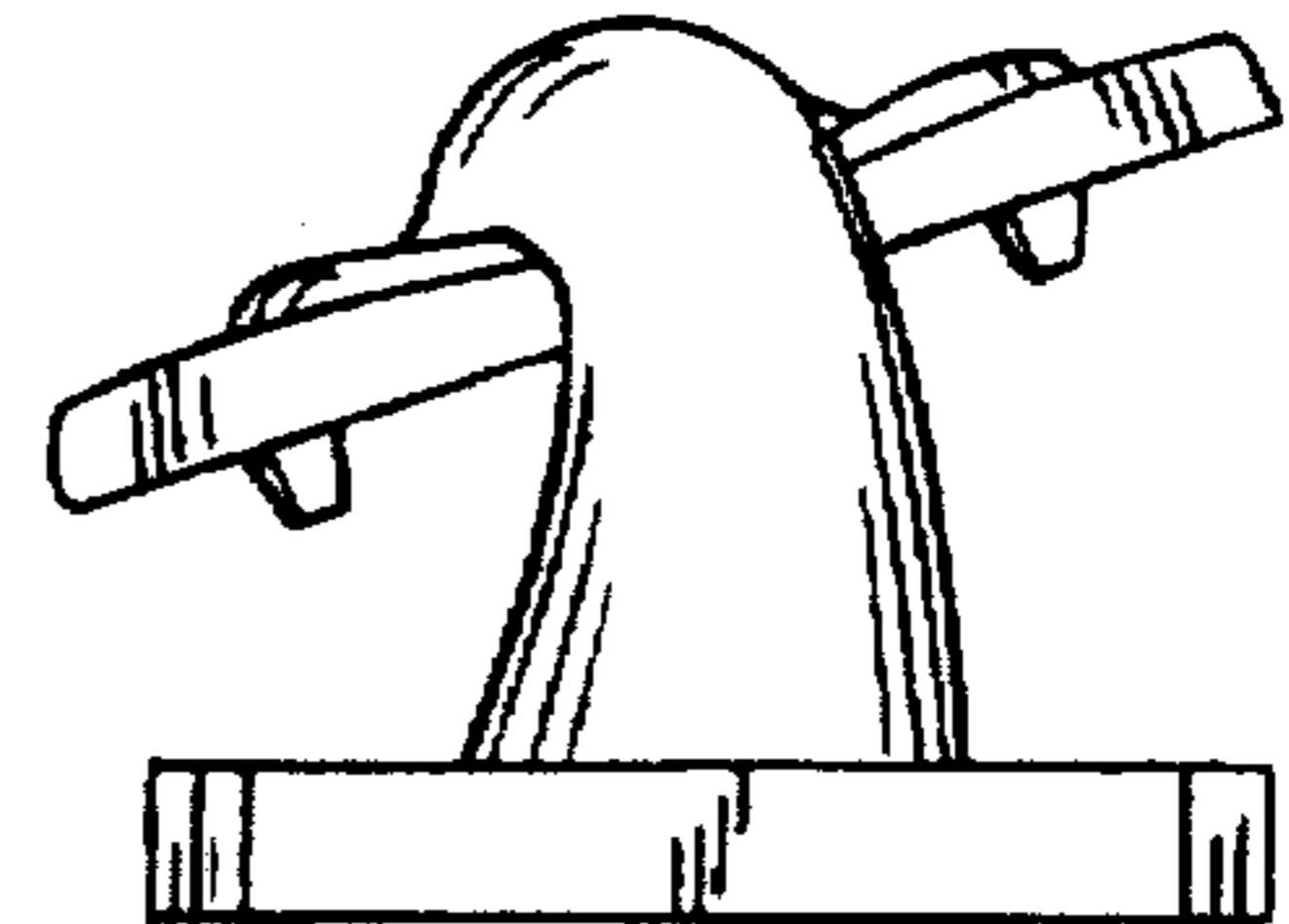


FIG-3

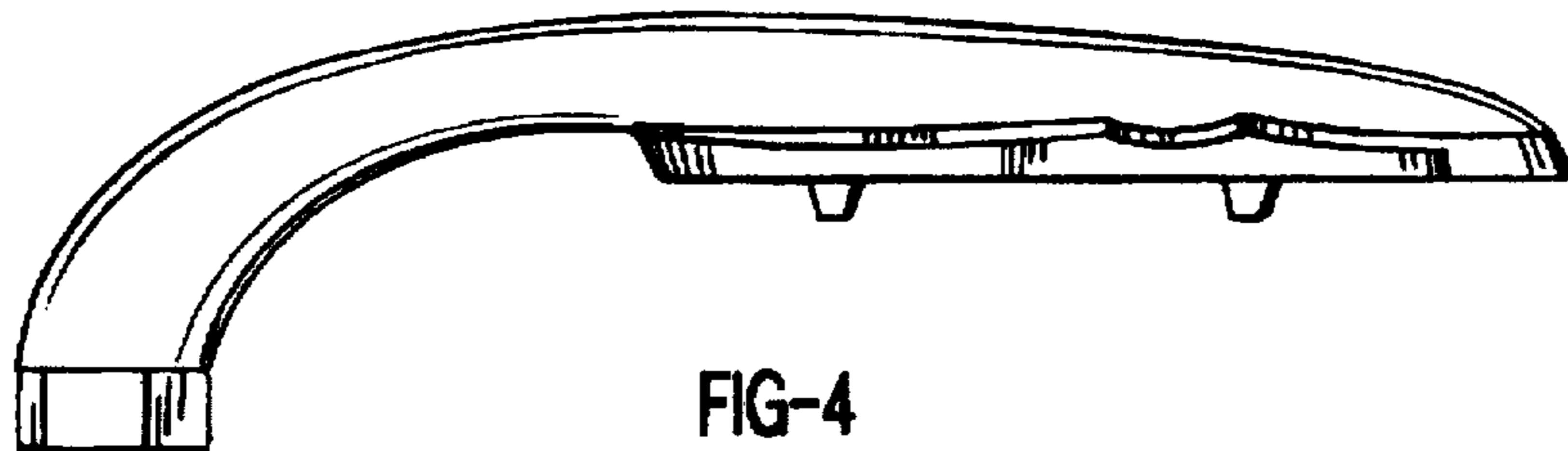


FIG-4

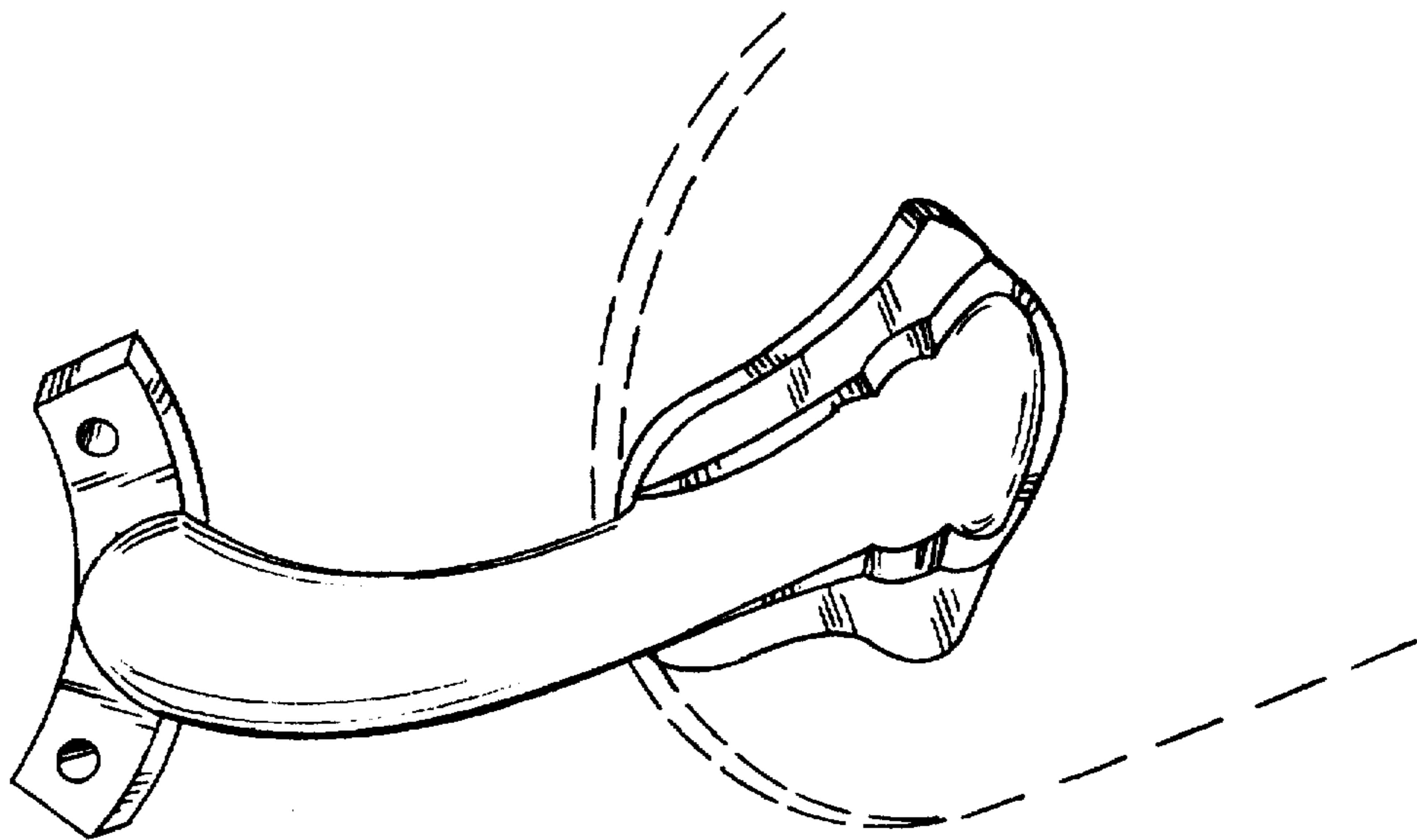


FIG-5