



US00D388164S

**United States Patent** [19]  
**Pickett**

[11] **Patent Number: Des. 388,164**  
[45] **Date of Patent: \*\*Dec. 23, 1997**

[54] **COMBINED CEILING FAN AND LIGHT KIT**

[75] **Inventor: Mark Pickett, Rancho Palos Verdes, Calif.**

[73] **Assignee: Minka Lighting, Inc., Corona, Calif.**

[\*\*] **Term: 14 Years**

[21] **Appl. No.: 61,217**

[22] **Filed: Oct. 18, 1996**

[51] **LOC (6) Cl. .... 23-04**

[52] **U.S. Cl. .... D23/377; D23/379; D23/385**

[58] **Field of Search .... D23/377, 379, D23/385, 411, 413; 416/5; 392/364; 362/96; D26/81-86, 88, 59, 51, 72, 80**

[56] **References Cited**

**U.S. PATENT DOCUMENTS**

- D. 329,494 9/1992 Holbrook ..... D23/377
- D. 345,205 3/1994 Di Pasquale ..... D23/379
- D. 363,346 10/1995 Wang ..... D23/379

**OTHER PUBLICATIONS**

Casablanca Fan Co. Adv. Brochure, back cover, Ceiling Fan Light Fixture **Â**, lower right side of page.  
Southern King Adv. Brochure, p. 11, Ceiling Fan **Ë**, top right side of page.

*Primary Examiner*—Lisa Lichtenstein  
*Attorney, Agent, or Firm*—Jenkins & Gilchrist, P.C.

[57] **CLAIM**

The ornamental design for a combined ceiling fan and light kit as shown and described.

**DESCRIPTION**

FIG. 1 is a front perspective view of a combined ceiling fan and light kit incorporating my ornamental design;

FIG. 2 is a rear view of the combined ceiling fan and light kit of FIG. 1;

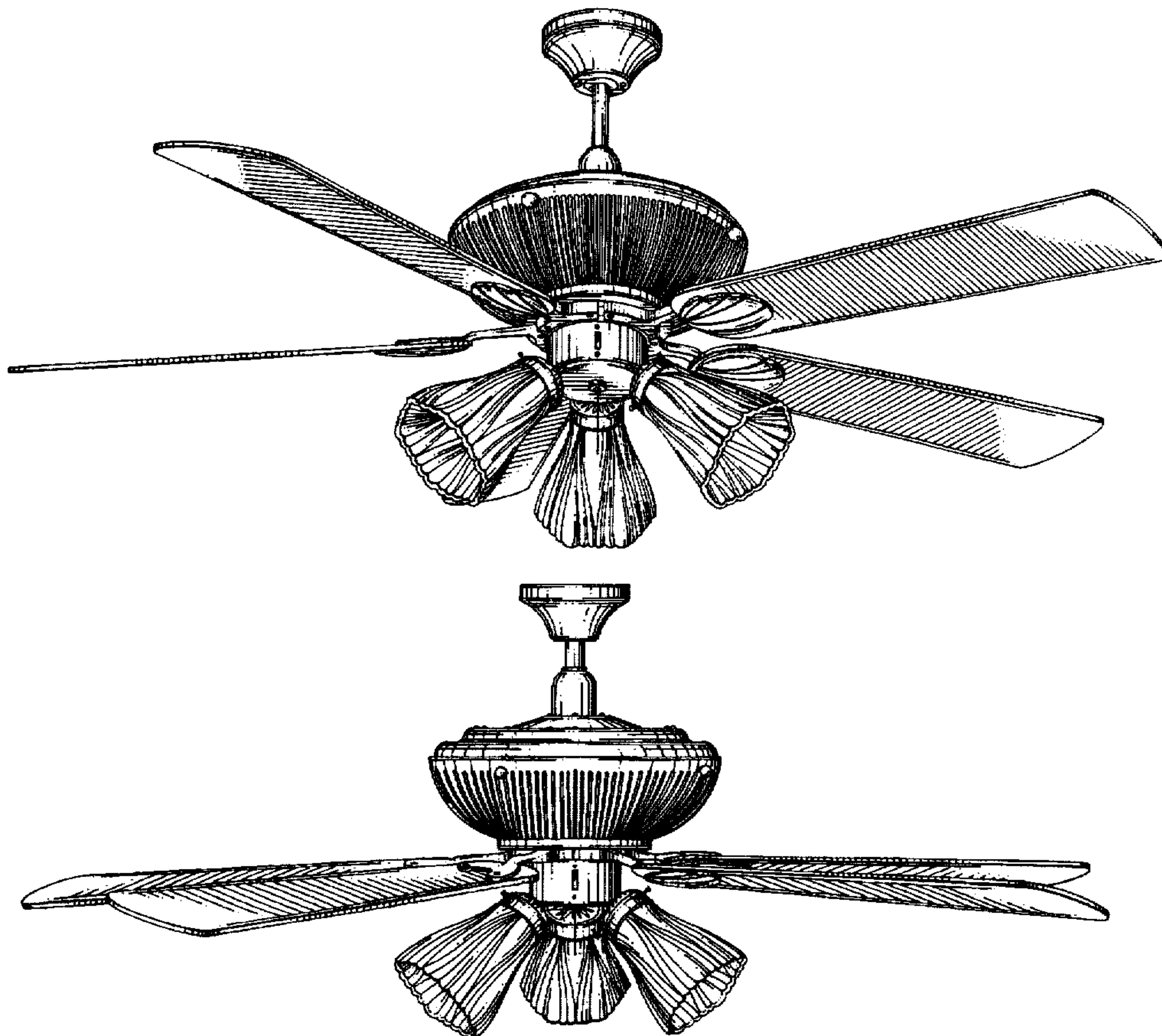
FIG. 3 is a side view of the representative side of the combined ceiling fan and light kit of FIG. 1, on a reduced scale;

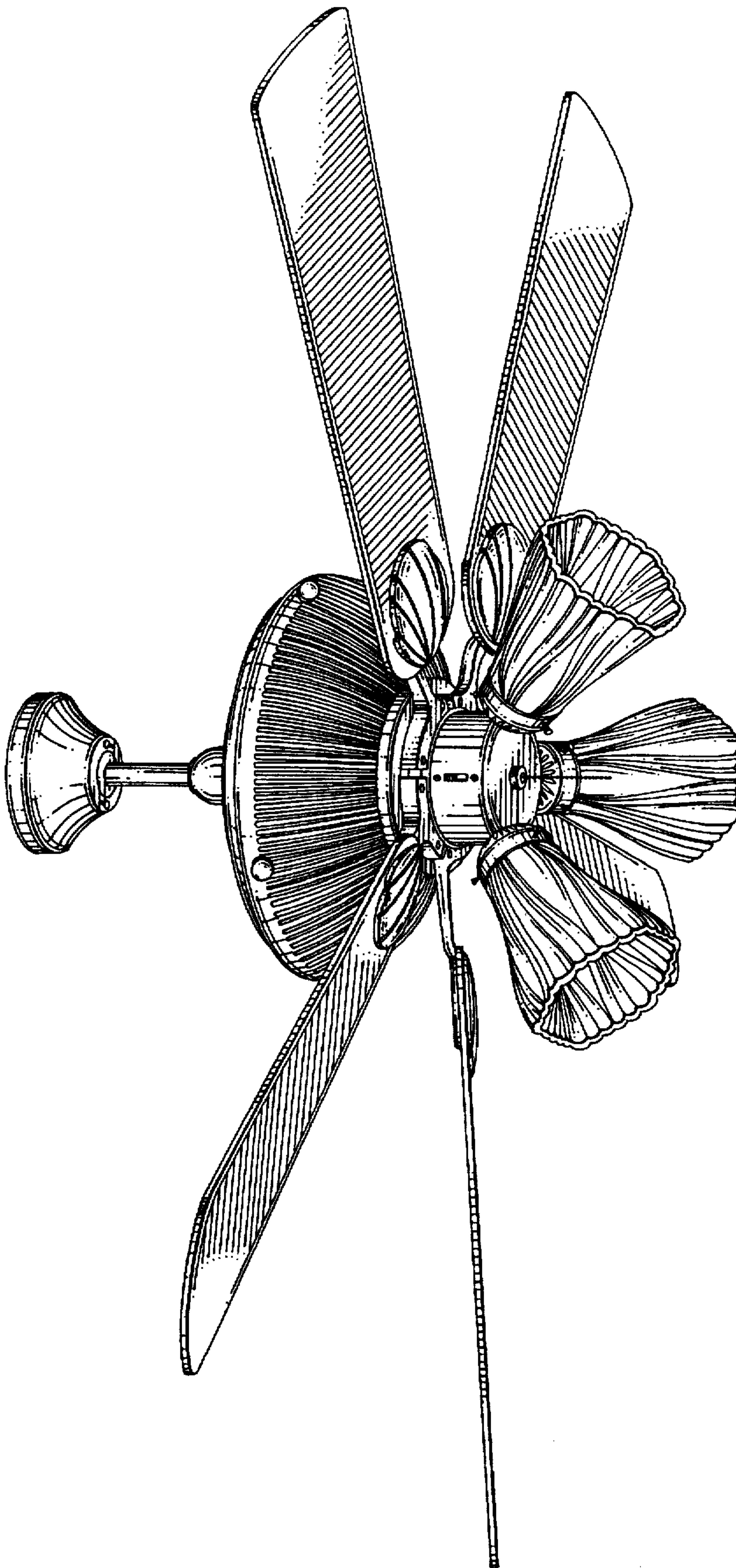
FIG. 4 is a bottom view of the combined ceiling fan and light kit of FIG. 1; and,

FIG. 5 is an enlarged top side view of the combined ceiling fan and light kit of FIG. 1.

The fan blades have been shown broken-away in FIGS. 4 and 5 for ease of illustration.

**1 Claim, 5 Drawing Sheets**





*FIG. 1*



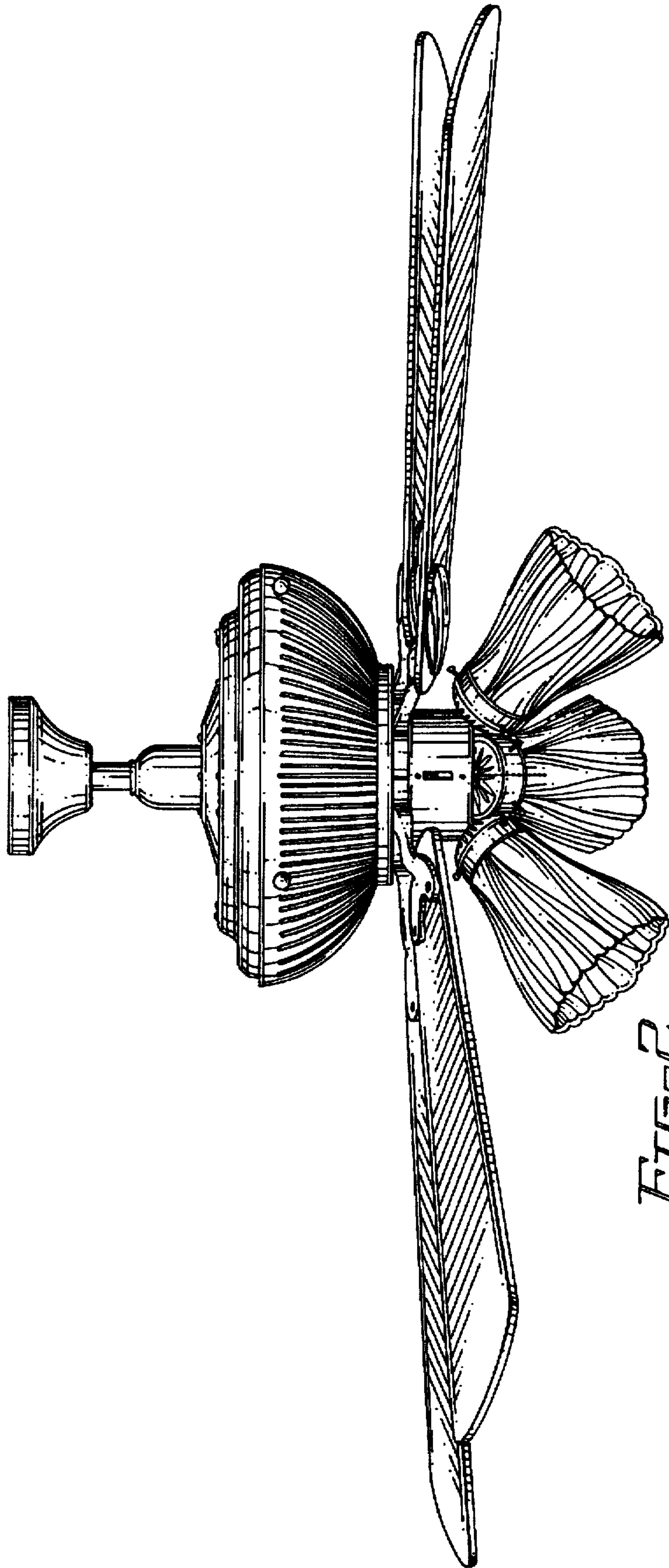


FIG. 2

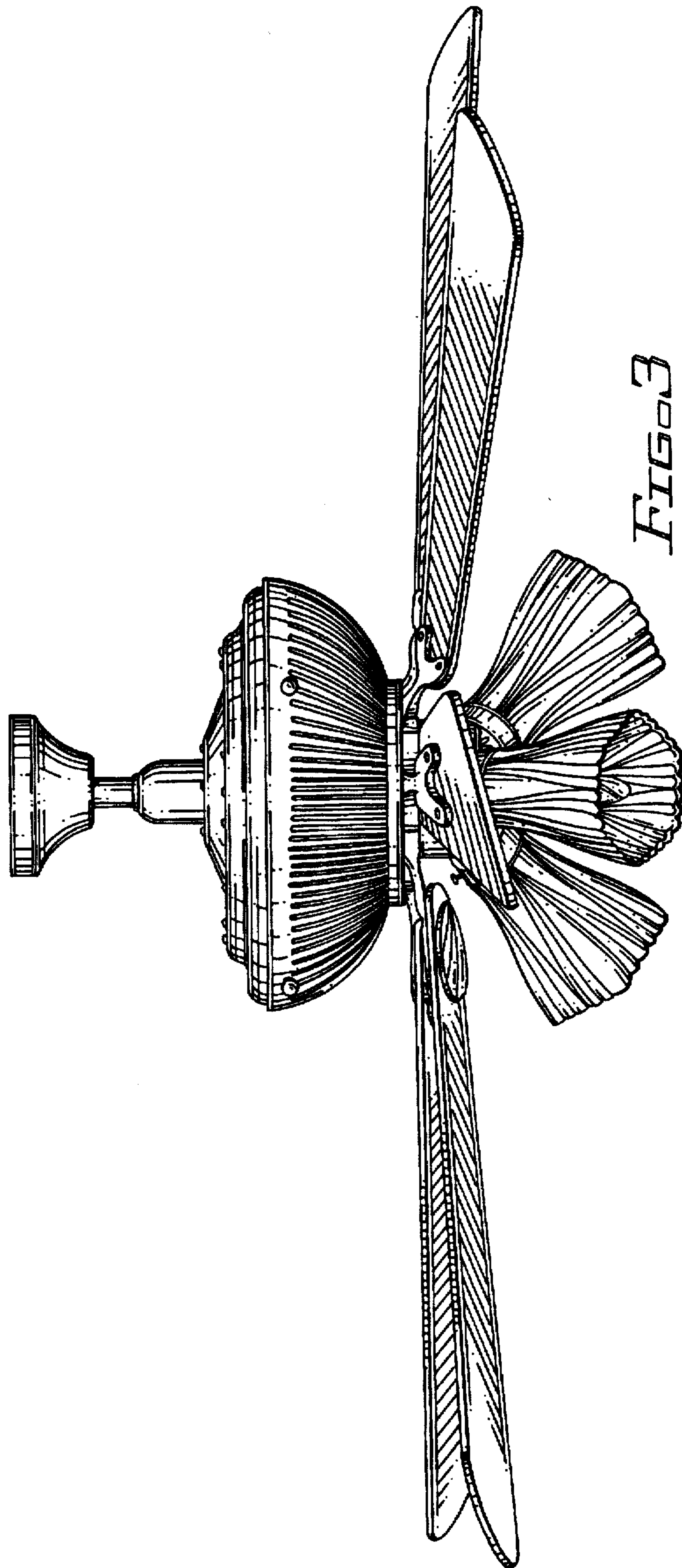


FIG. 3

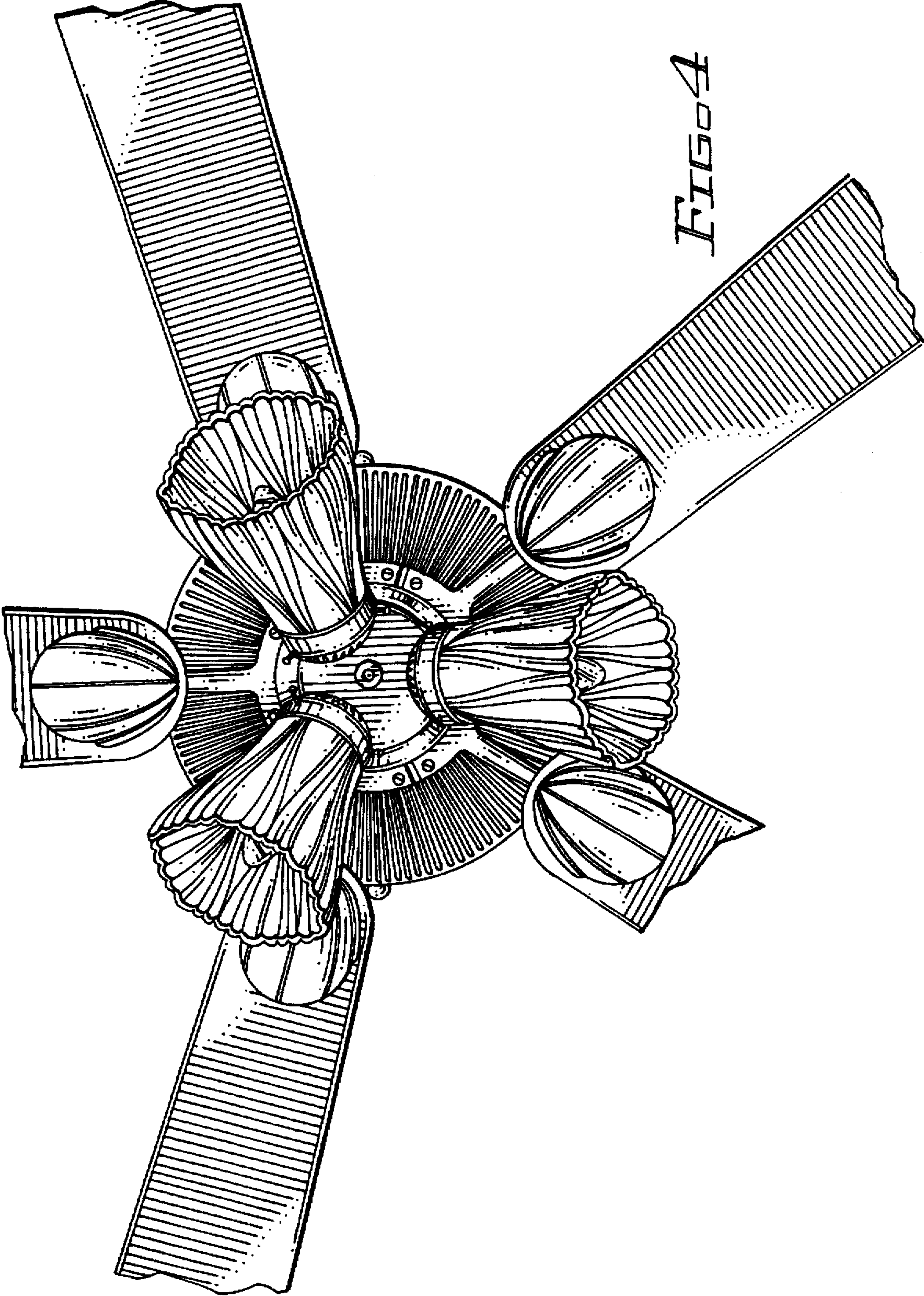


FIG 4



FIG. 5

