

US00D388163S

# United States Patent [19] Cunning

[11] Patent Number: **Des. 388,163**  
[45] Date of Patent: **\*\*Dec. 23, 1997**

[54] WINDOW FAN  
[75] Inventor: **Joseph M. Cunning**, Cohasset, Mass.  
[73] Assignee: **Holmes Products Corp.**, Milford, Mass.  
[\*\*] Term: **14 Years**  
[21] Appl. No.: **7,483**  
[22] Filed: **Apr. 23, 1993**

547,996 10/1895 Iliowizi .  
957,680 5/1910 Johanns .  
1,081,195 12/1913 Austin .  
1,307,449 6/1919 Mayeda .  
2,373,497 4/1945 Paiste, Jr. .  
3,275,224 9/1966 Bush .  
3,830,147 8/1974 Weber et al. .  
5,190,496 3/1993 Shin-Chin .

*Primary Examiner*—Lisa Lichtenstein  
*Attorney, Agent, or Firm*—Hoffmann & Baron, LLP

### Related U.S. Application Data

[63] Continuation-in-part of Ser. No. 5,679, Mar. 9, 1993, abandoned.  
[51] LOC (6) Cl. .... **23-04**  
[52] U.S. Cl. .... **D23/370; D23/333; D23/351**  
[58] Field of Search ..... **D23/370, 351, D23/353, 354, 381, 332, 333; 454/200**

### [57] CLAIM

The ornamental design for a window fan, as shown and described.

### DESCRIPTION

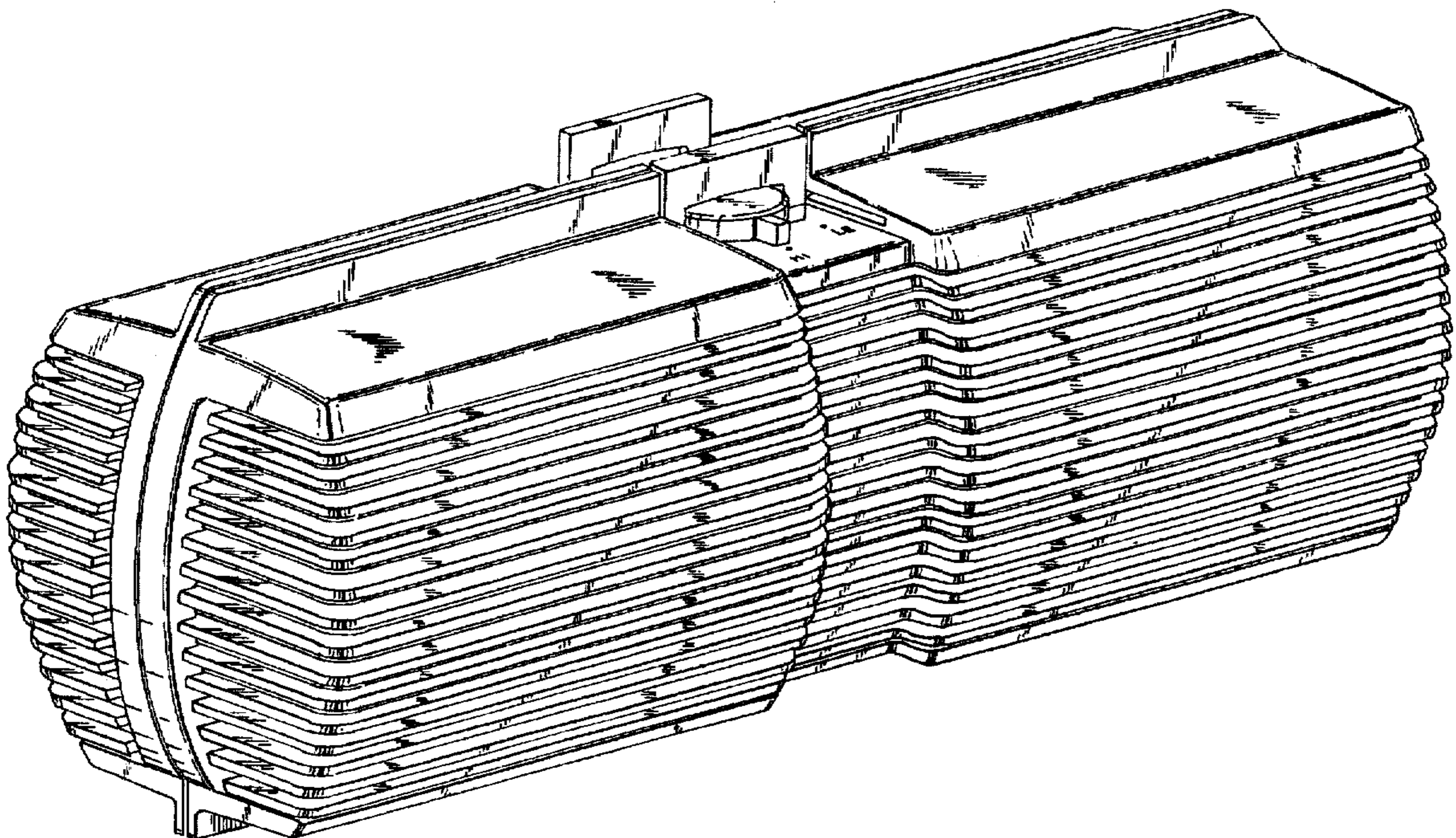
FIG. 1 is a front, left, top, perspective view of a window fan showing my new design;  
FIG. 2 is a front elevational view thereof, the rear being substantially a mirror image of that shown;  
FIG. 3 is a left side elevational view thereof, on an enlarged scale the right side being a mirror image of that shown;  
FIG. 4 is a top plan view thereof; and,  
FIG. 5 is a bottom plan view thereof.

### [56] References Cited

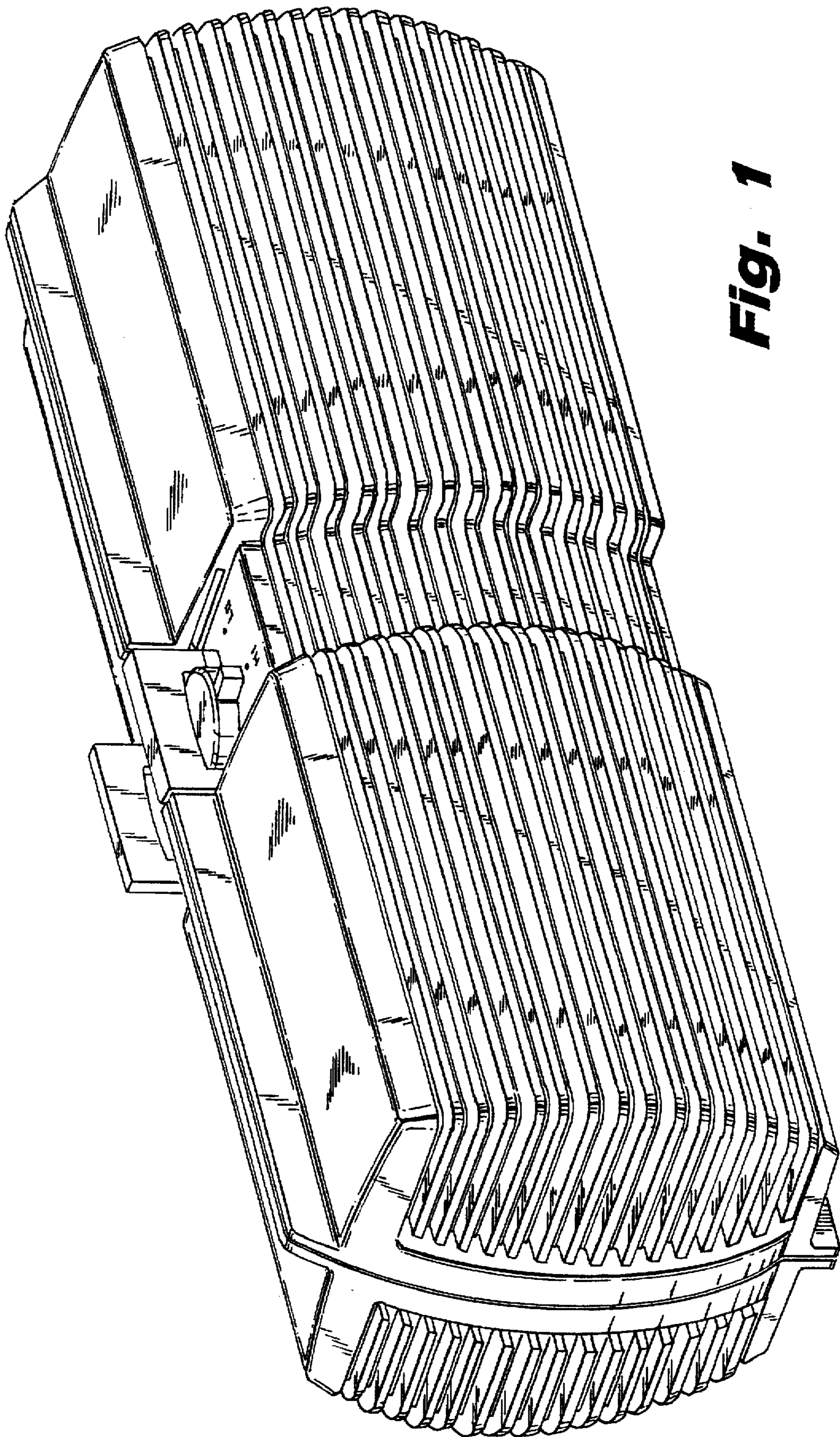
#### U.S. PATENT DOCUMENTS

D. 179,726 2/1957 Harpman .  
D. 182,025 2/1958 Groleau .  
D. 346,208 4/1994 Smith ..... D23/351

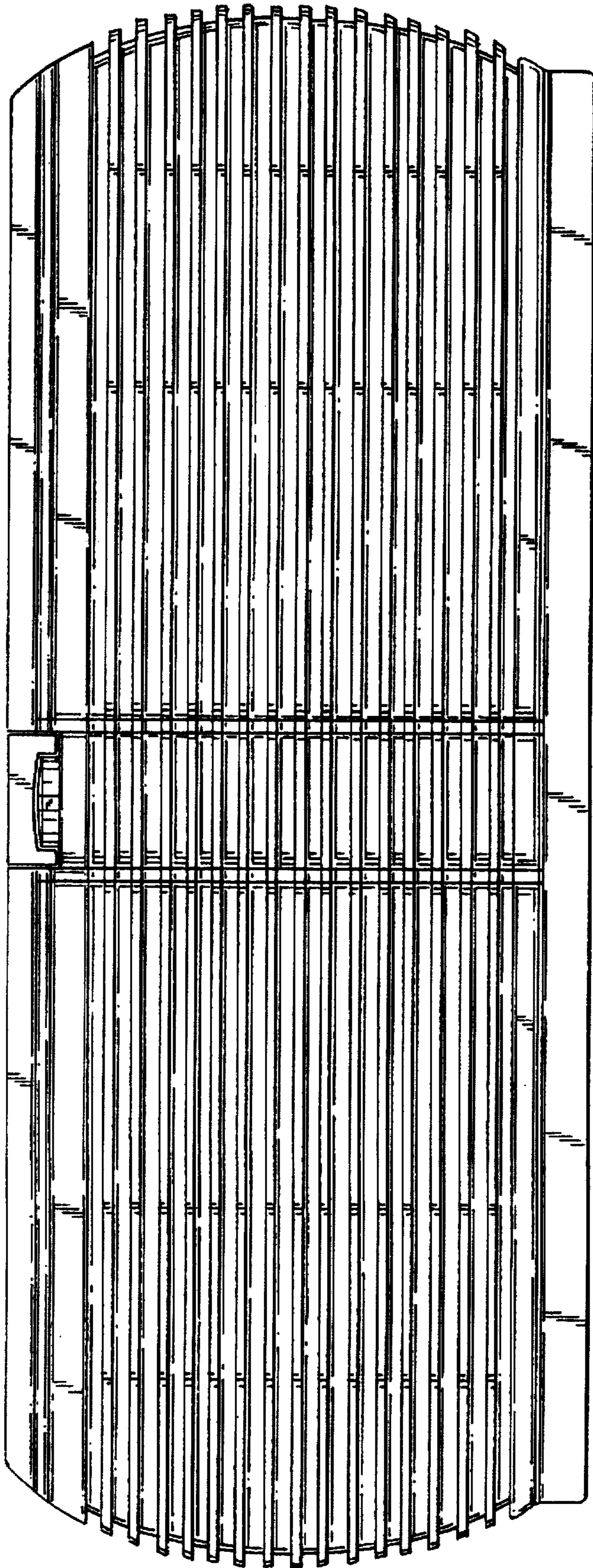
**1 Claim, 5 Drawing Sheets**





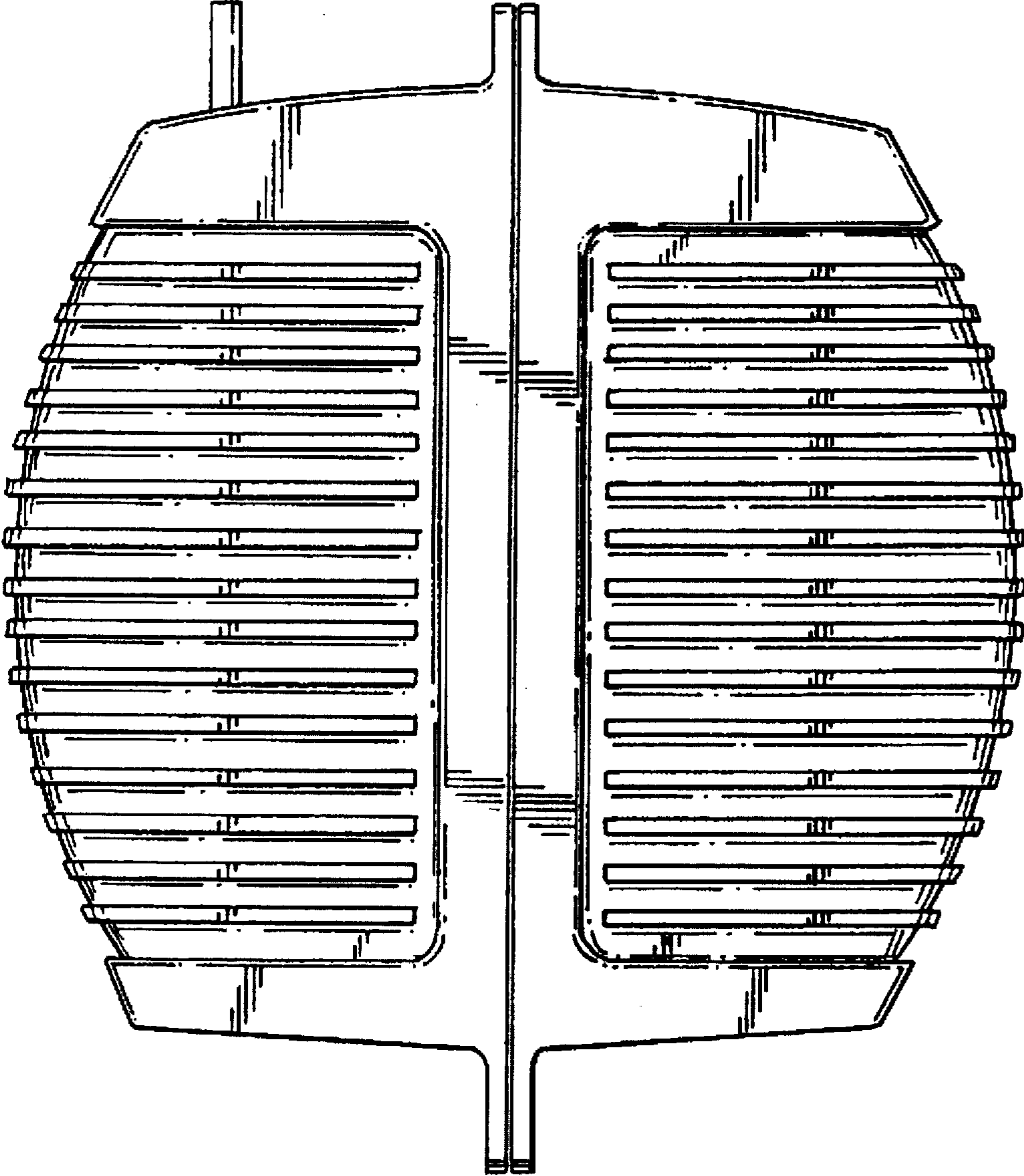


**FIG. 1**

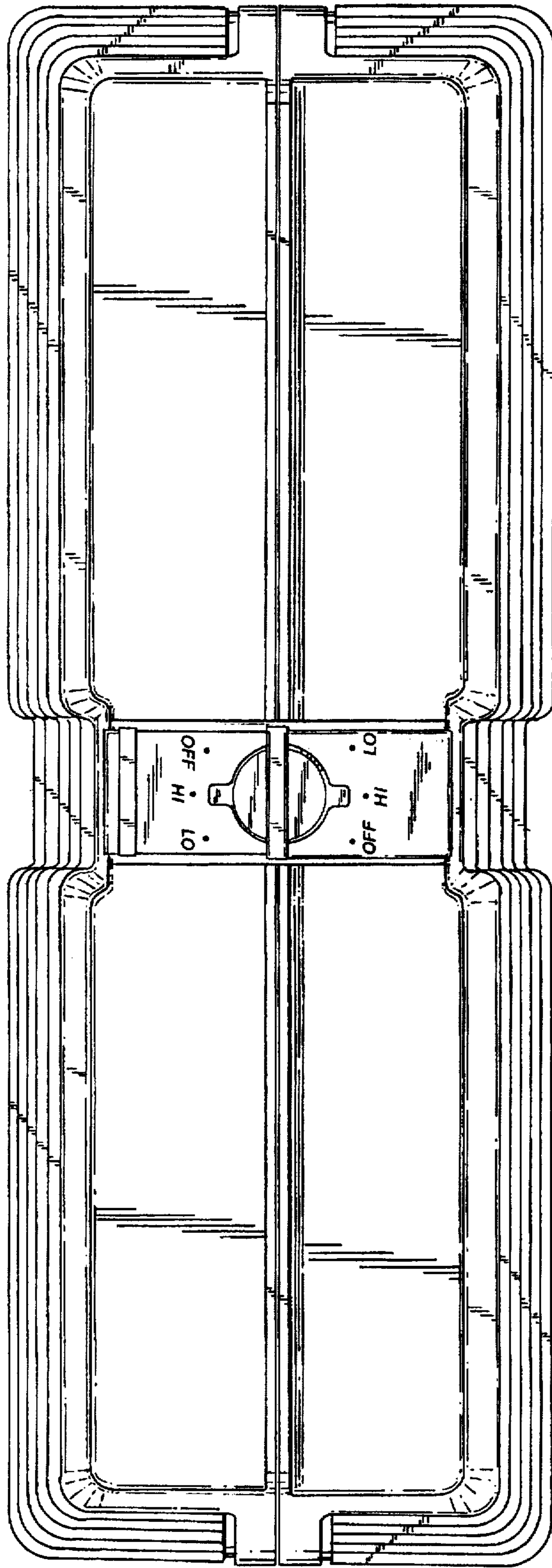


**Fig. 2**

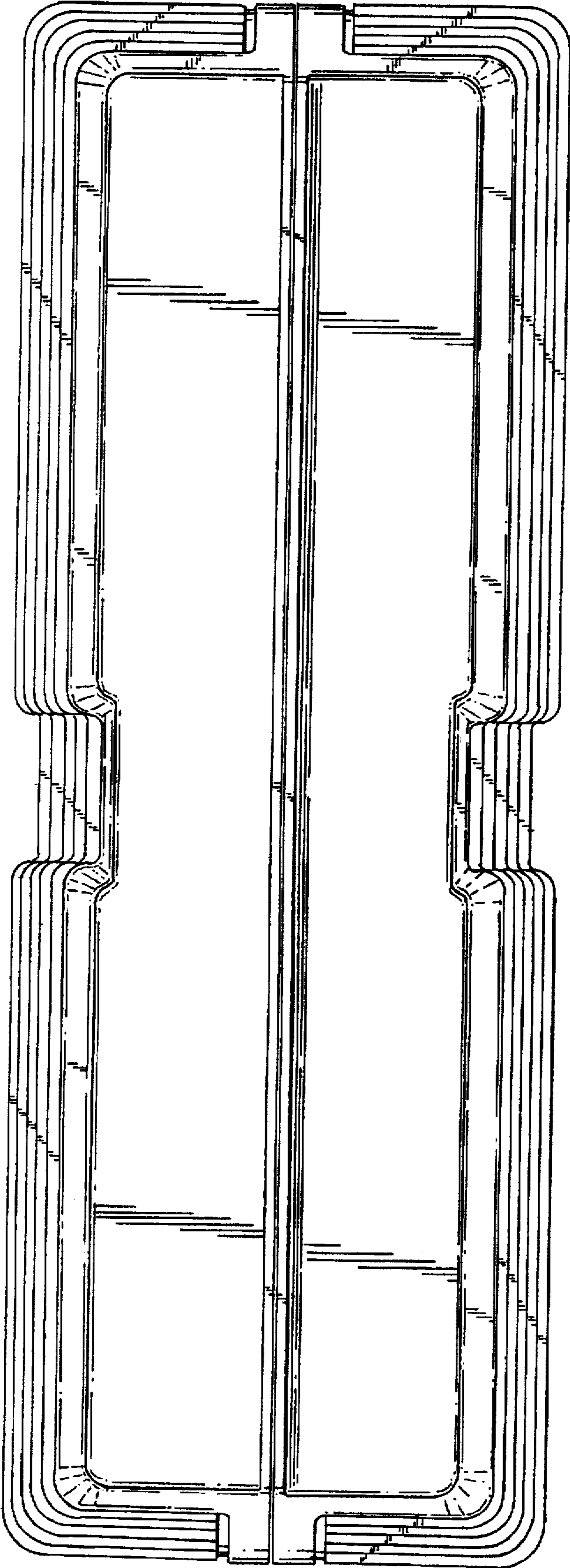




**Fig. 3**



**Fig. 4**



**Fig. 5**