



US00D388161S

United States Patent [19]
Thweatt

[11] **Patent Number: Des. 388,161**
[45] **Date of Patent: **Dec. 23, 1997**

[54] **WATER HEATER**
[75] **Inventor: Carl Thweatt, South Haven, Mich.**
[73] **Assignee: Sherwood-Templeton Coal Company, Inc., Indianapolis, Ind.**
[**] **Term: 14 Years**
[21] **Appl. No.: 54,401**
[22] **Filed: May 14, 1996**
[51] **LOC (6) Cl. 23-03**
[52] **U.S. Cl. D23/314**
[58] **Field of Search D23/314, 321-323; 392/484, 462**

1,978,690 10/1934 Peterson 392/462
3,835,294 9/1974 Krohn et al. 392/484

Primary Examiner—Holly Baynham
Attorney, Agent, or Firm—Price, Heneveld, Cooper, DeWitt and Litton

[57] **CLAIM**

The ornamental design for a water heater, as shown and described.

DESCRIPTION

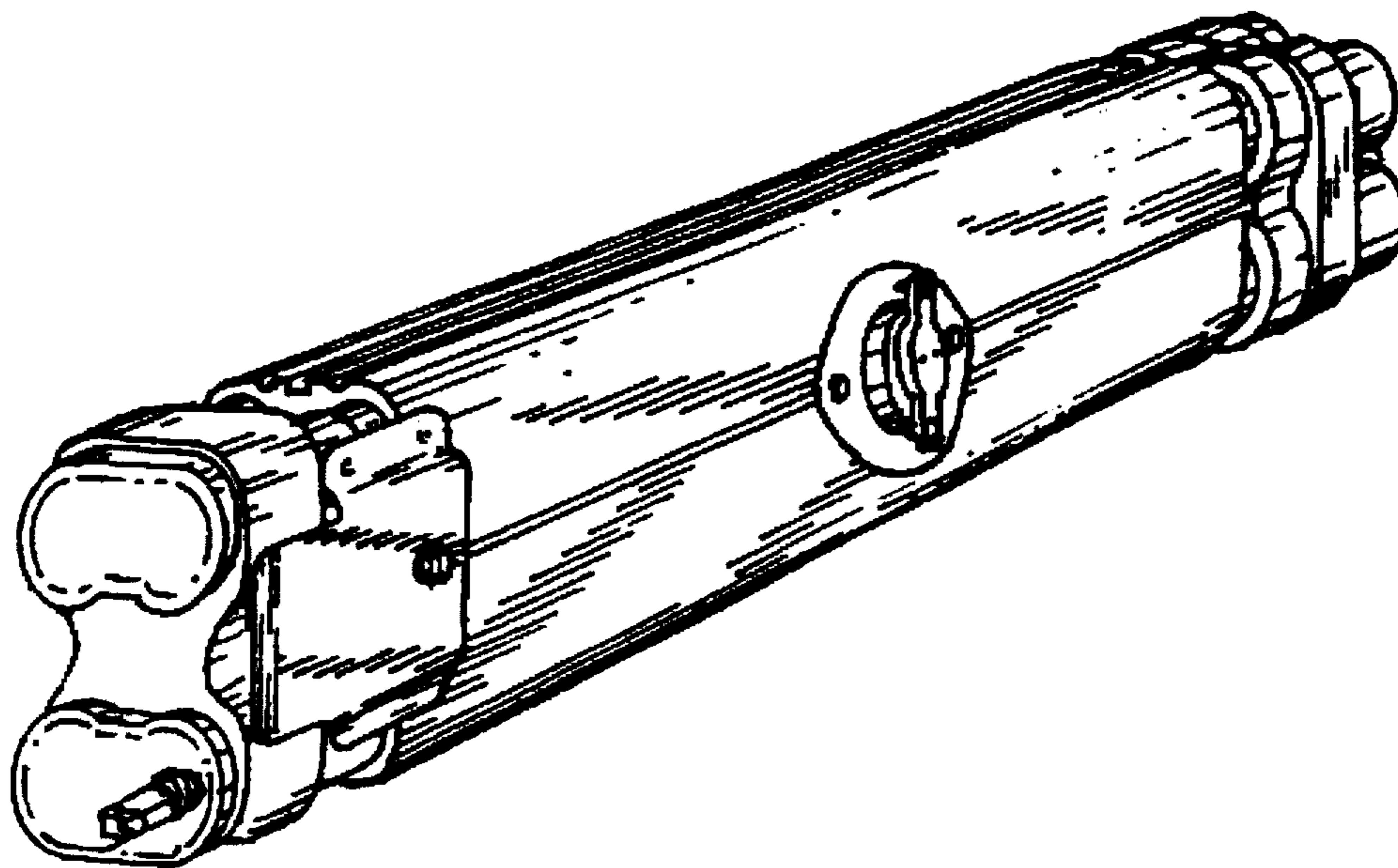
FIG. 1 is a side elevational, perspective view of a water heater showing my new design;
FIG. 2 is a side elevational view thereof;
FIG. 3 is a top plan view thereof the bottom view being a mirror image;
FIG. 4 is a side elevational view of the side thereof opposite to that of FIG. 2;
FIG. 5 is a left elevational end view thereof; and,
FIG. 6 is a right elevational end view thereof.

1 Claim, 2 Drawing Sheets

[56] **References Cited**

U.S. PATENT DOCUMENTS

D. 30,498 4/1899 Worthington D23/322
D. 59,437 10/1921 Smith D23/321



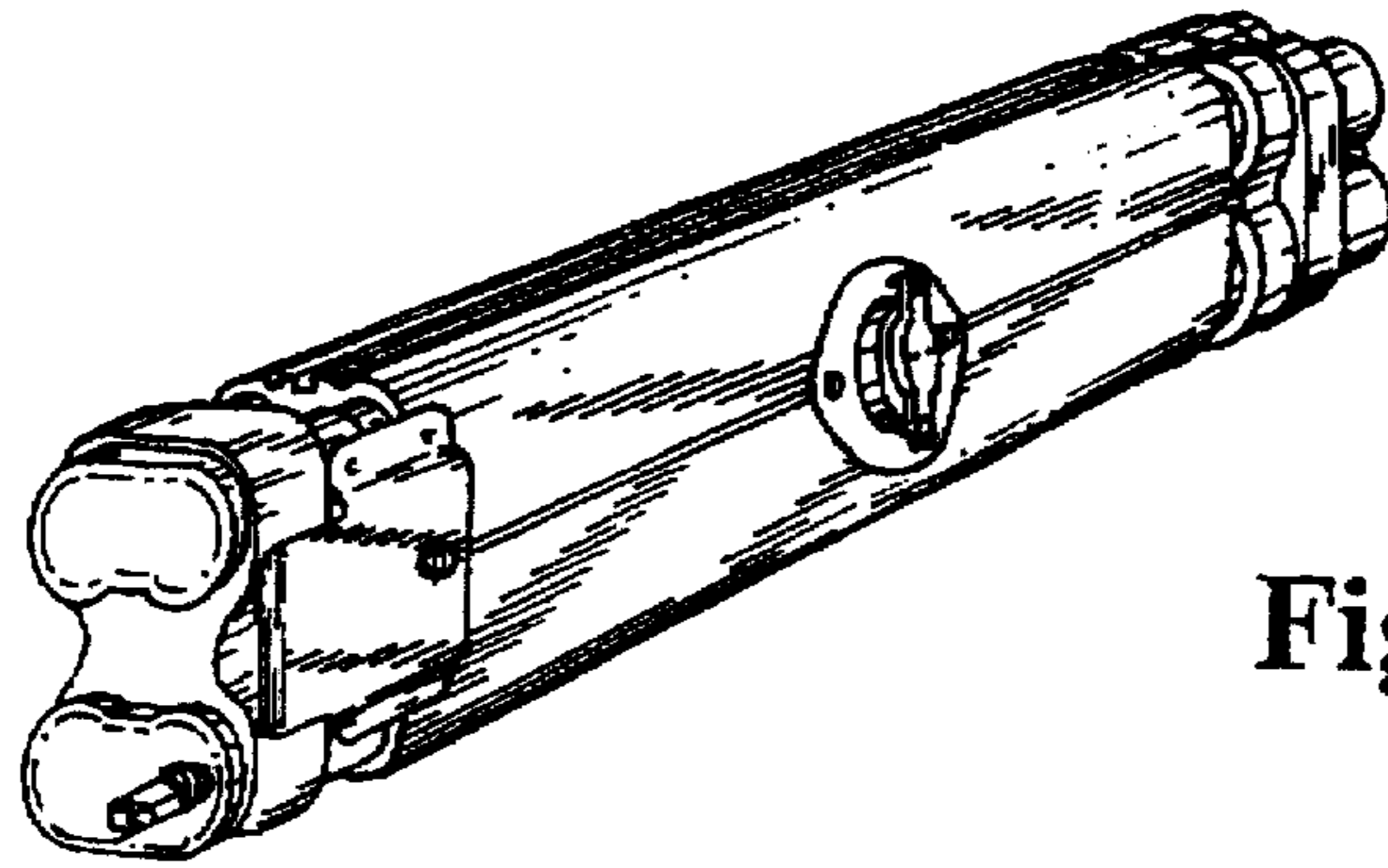


Fig. 1

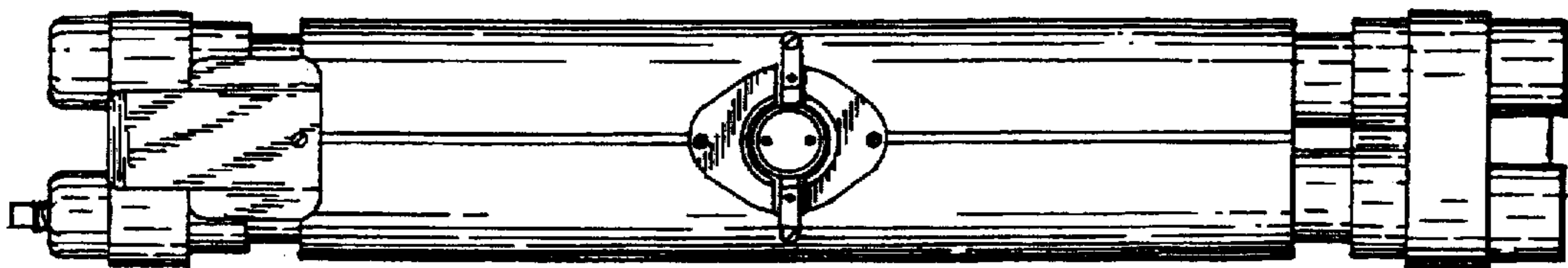


Fig. 2

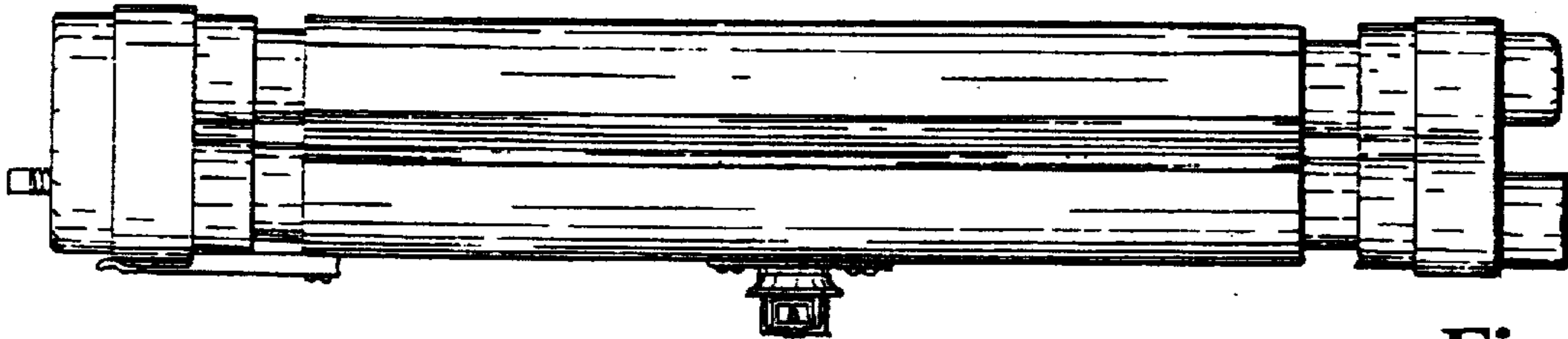


Fig. 3

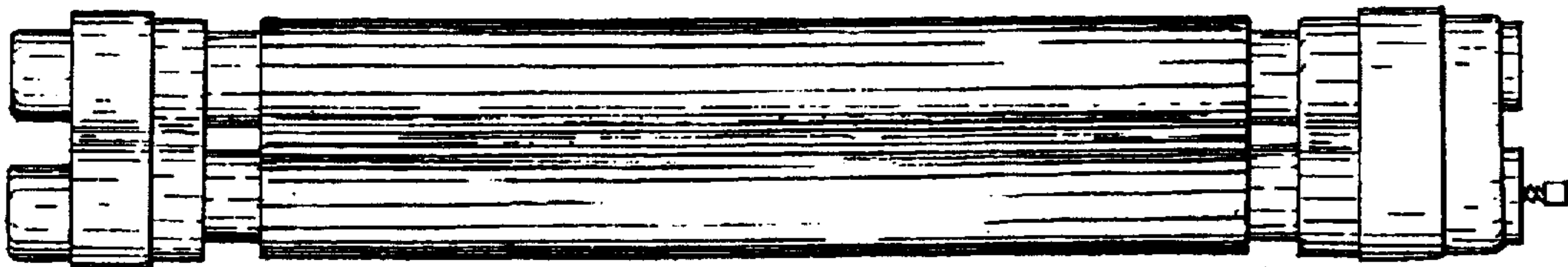


Fig. 4

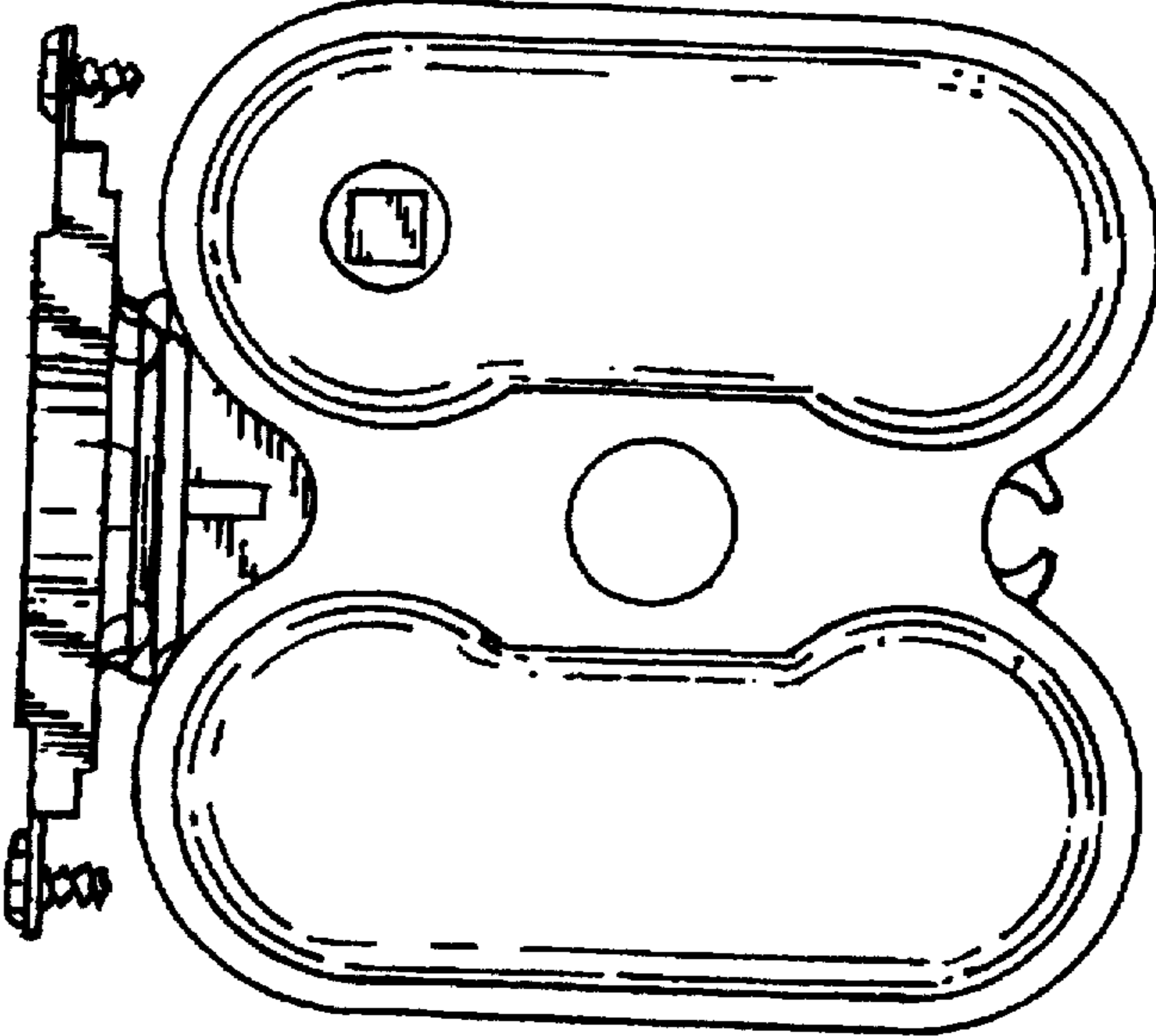


Fig. 5

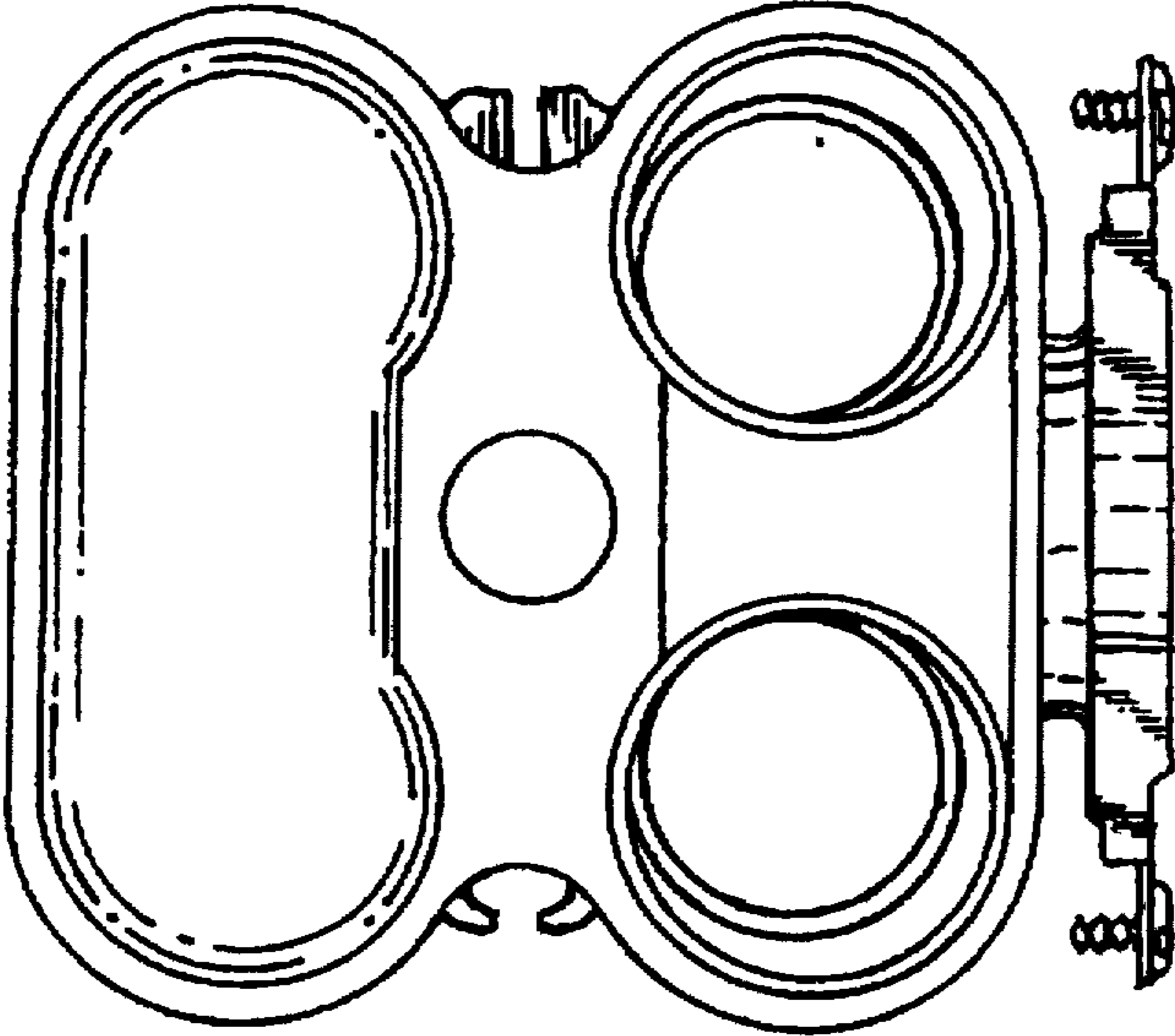


Fig. 6