



US00D388158S

# United States Patent [19]

Doughty et al.

[11] Patent Number: Des. 388,158

[45] Date of Patent: \*\*Dec. 23, 1997

[54] FAUCET WITH PULL-OUT SPOUT

[75] Inventors: **Frederic C. Doughty**, South Pasadena;  
**Darren M. Mark**, Valencia, both of Calif.

[73] Assignee: **Emhart Inc.**, Newark, Del.

[\*\*] Term: 14 Years

[21] Appl. No.: 67,505

[22] Filed: Mar. 5, 1997

[51] LOC (6) Cl. .... 23-01

[52] U.S. Cl. .... D23/238

[58] Field of Search ..... D23/238-243,  
D23/250-257; 4/675-678; 137/801

[56] **References Cited**

**U.S. PATENT DOCUMENTS**

D. 219,779	1/1971	Tiller .....	D23/238
D. 324,905	3/1992	Chretien .....	D23/238
D. 344,127	2/1994	Carr et al. ....	D23/238
D. 367,700	3/1996	Hill et al. ....	D23/255

*Primary Examiner*—Louis S. Zarfes  
*Assistant Examiner*—Eric Watterson  
*Attorney, Agent, or Firm*—Harold Weinstein

[57] **CLAIM**

The ornamental design for a faucet with pull-out spout, as shown and described.

**DESCRIPTION**

FIG. 1 is a perspective view of our new design of a faucet with pull-out spout;  
FIG. 2 is a front view of our new design of the faucet with pull-out spout;  
FIG. 3 is a rear view of our new design of the faucet with pull-out spout;  
FIG. 4 is a right side view of our new design of the faucet with pull-out spout, a left side view thereof being a mirror image of the right side view;  
FIG. 5 is a top view of our new design of the faucet with pull-out spout; and,  
FIG. 6 is a bottom view of our new design of the faucet with pull-out spout.

**1 Claim, 3 Drawing Sheets**

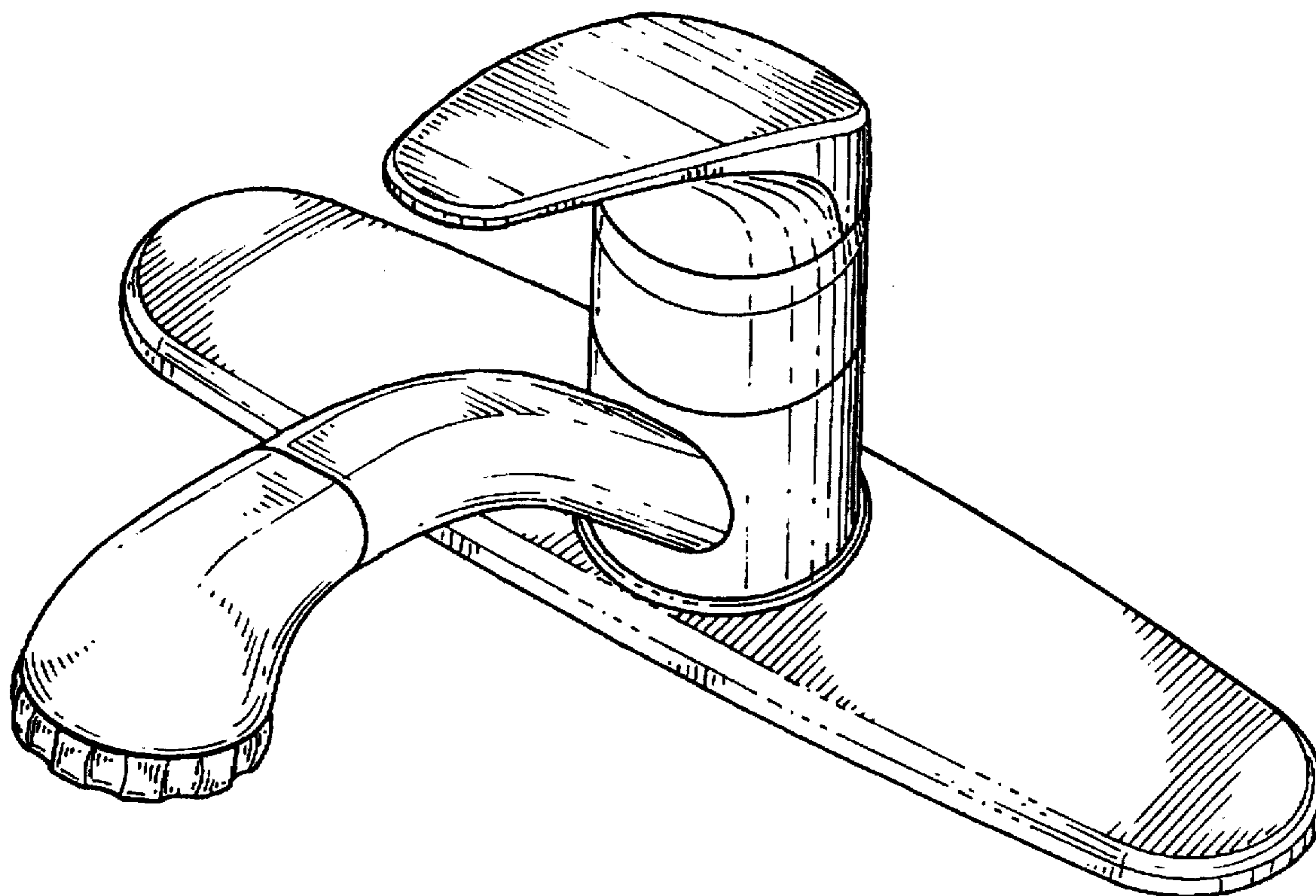


FIG. 1

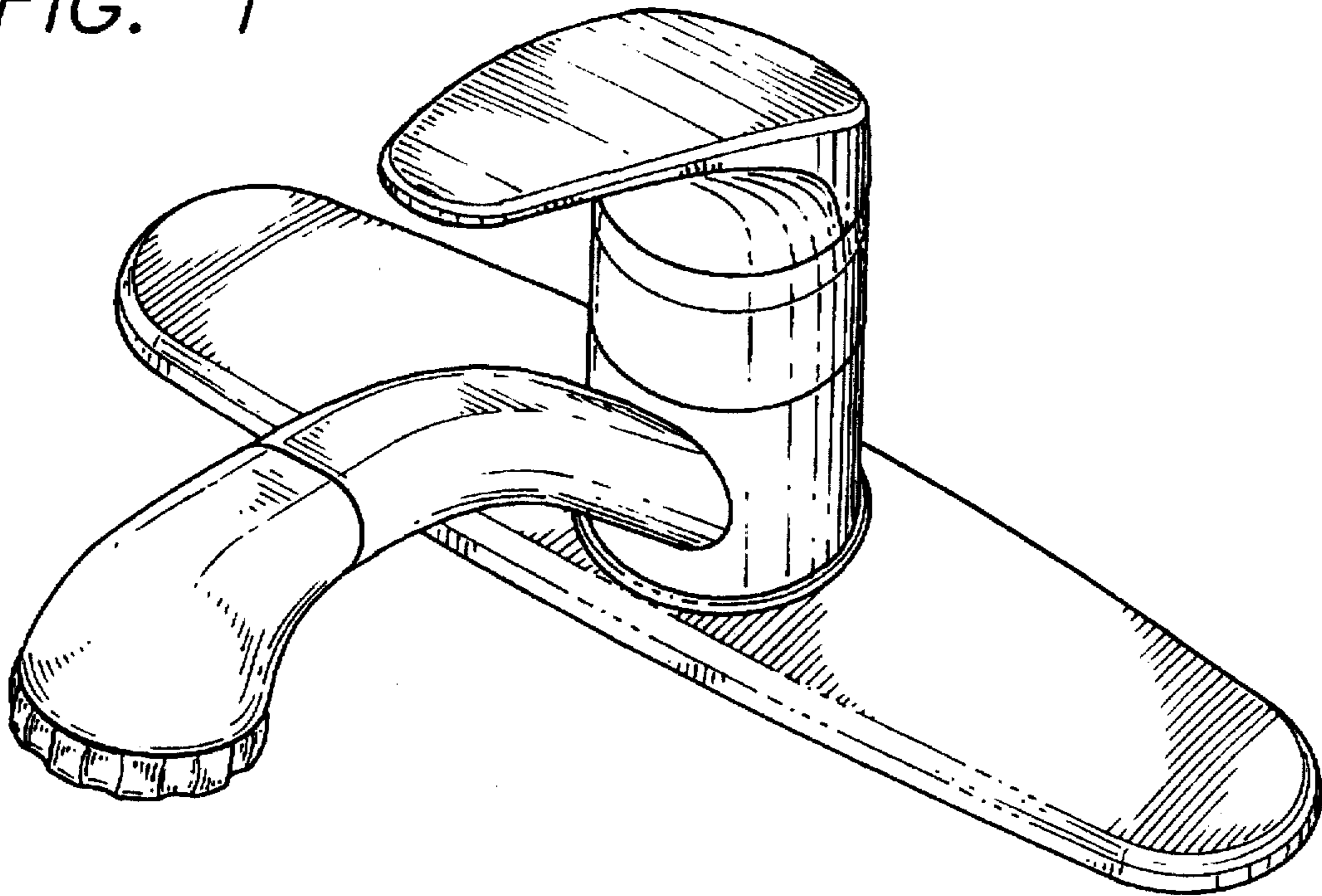


FIG. 2

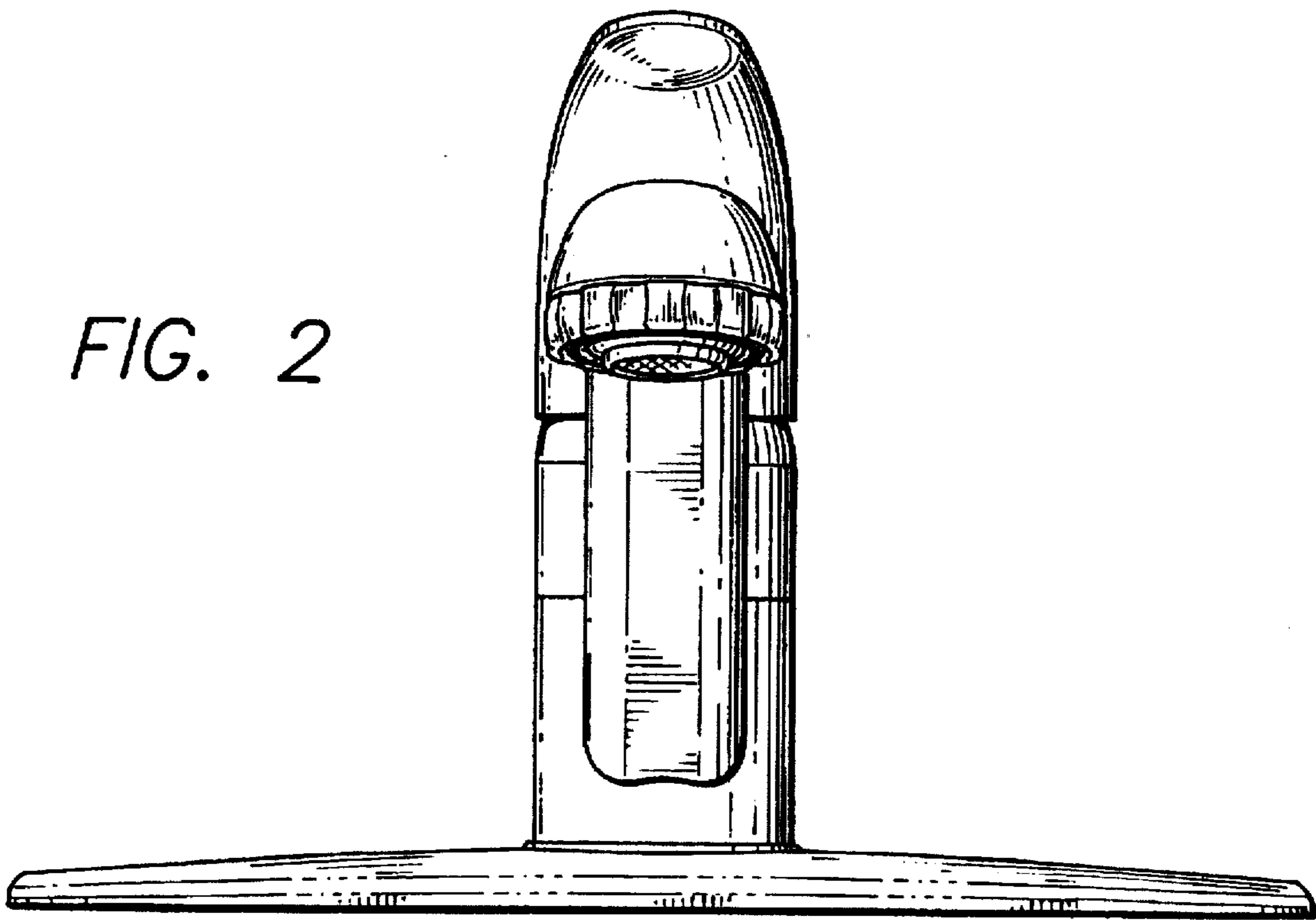


FIG. 3

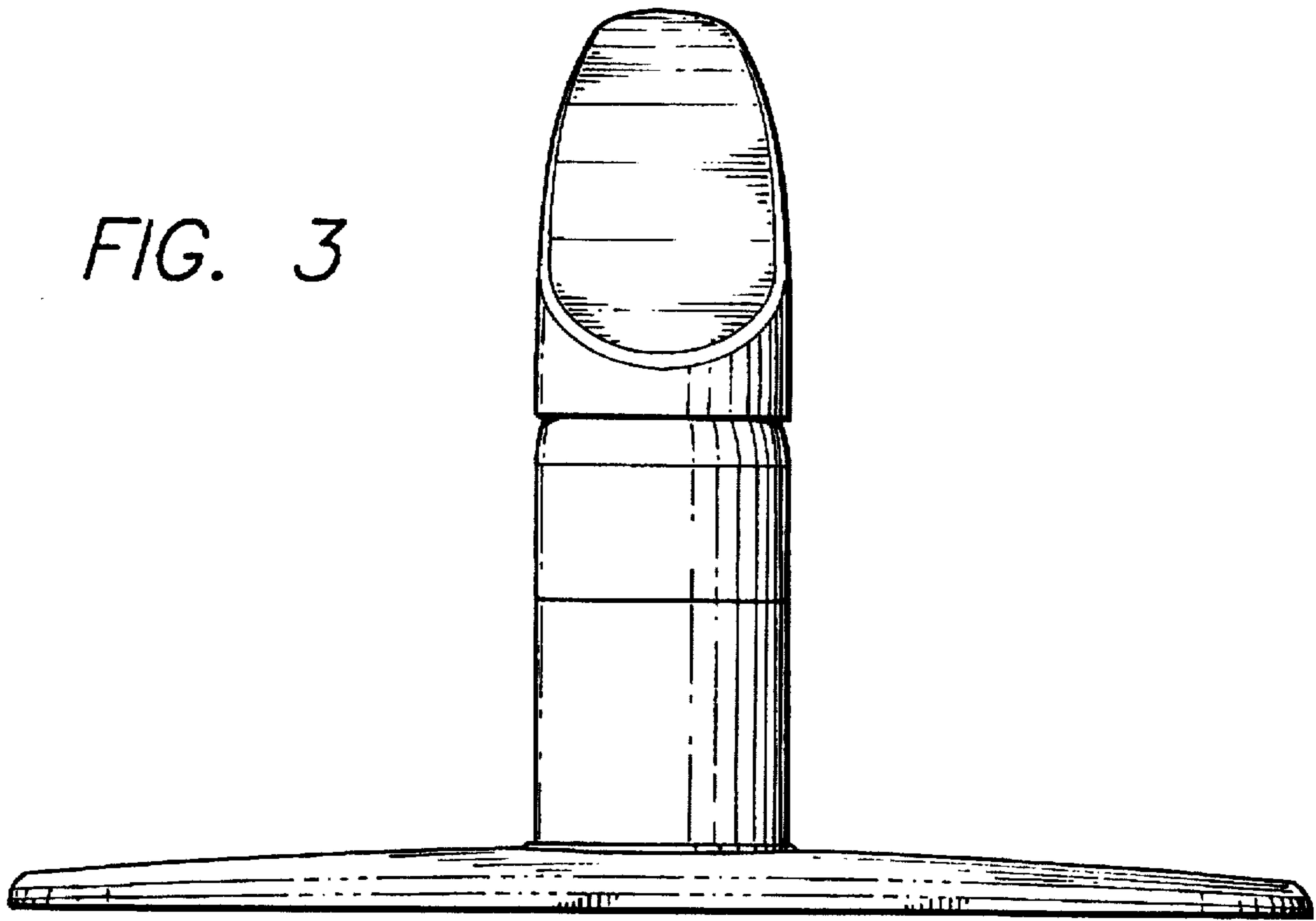
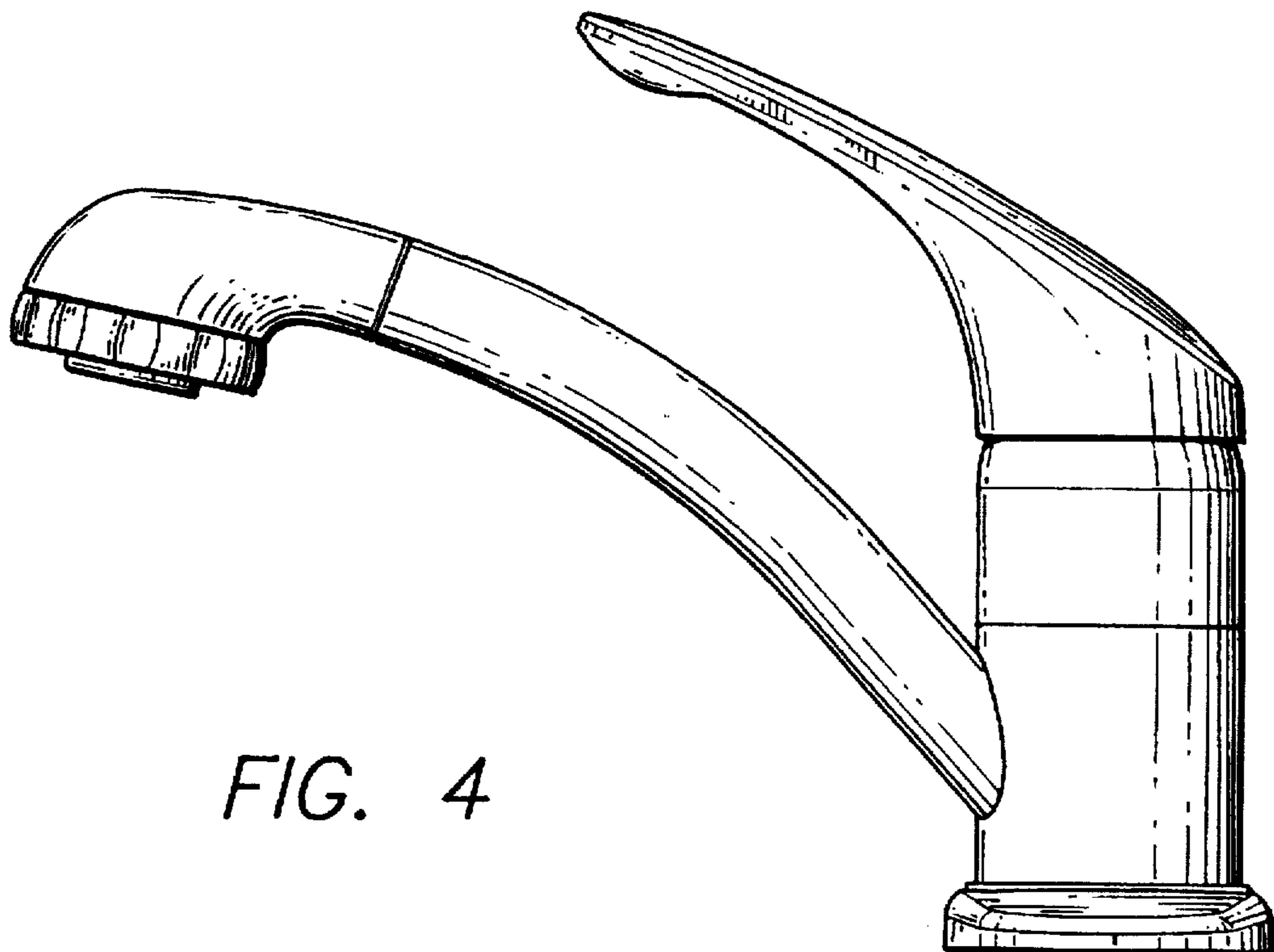


FIG. 4



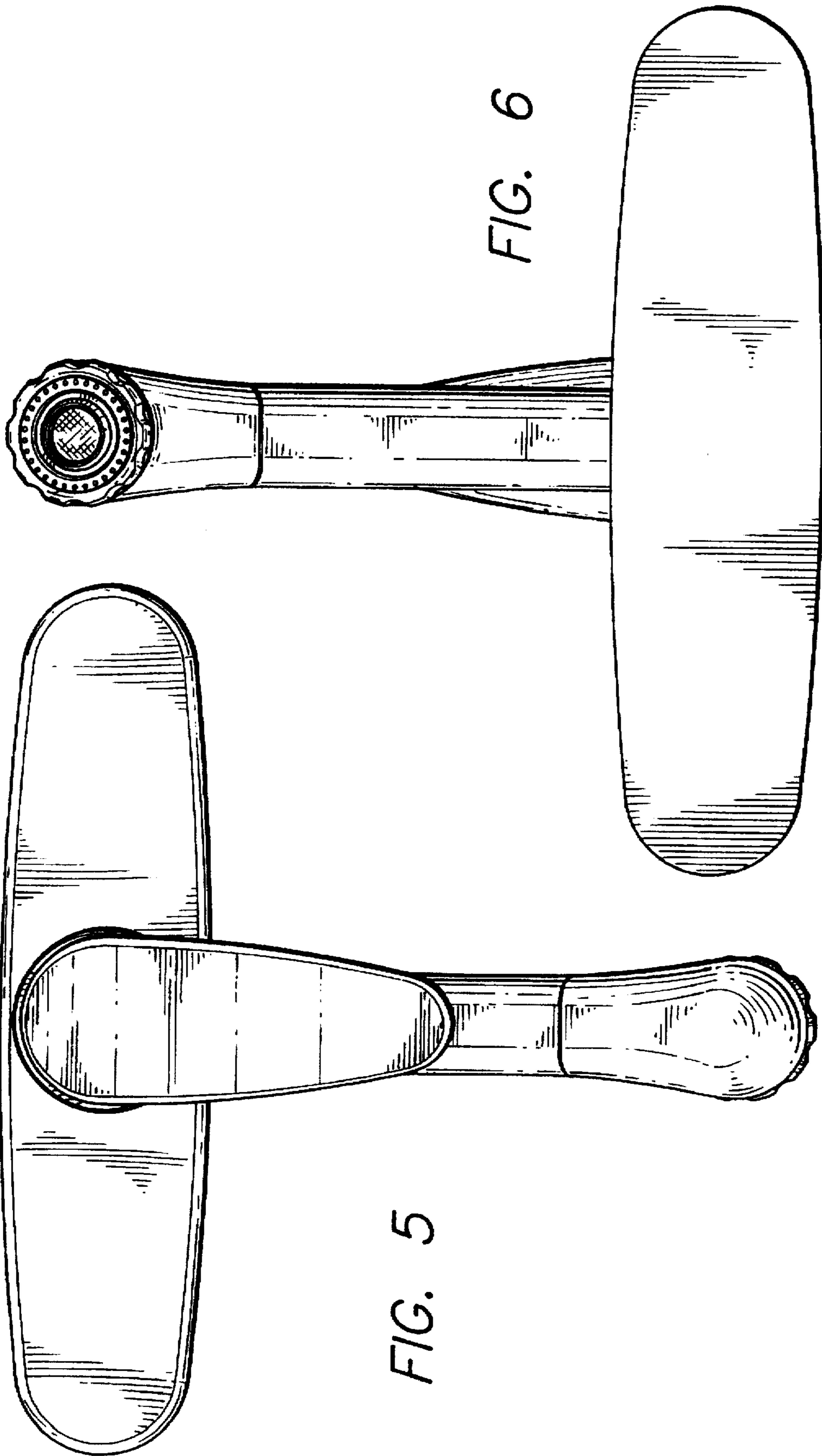


FIG. 5

FIG. 6