

US00D388157S

# United States Patent [19]

Bauer et al.

[11] Patent Number: **Des. 388,157**

[45] Date of Patent: **\*\*Dec. 23, 1997**

[54] **WALL MOUNT FAUCET BODY**  
[75] Inventors: **Witold Bauer, Westlake; Mark Sindelar, Shaker Heights, both of Ohio**

[73] Assignee: **Moen Incorporated, North Olmsted, Ohio**

[\*\*] Term: **14 Years**

[21] Appl. No.: **63,765**

[22] Filed: **Dec. 16, 1996**

[51] LOC (6) Cl. .... **23-01**

[52] U.S. Cl. .... **D23/238**

[58] Field of Search ..... **D23/238-243, D23/250-257; 4/675-678; 137/801**

[56] **References Cited**

**U.S. PATENT DOCUMENTS**

- D. 359,796 6/1995 Formgren ..... D23/241
- D. 365,624 12/1995 Gottwad ..... D23/238

- D. 372,763 8/1996 Moon ..... D23/238
- D. 375,784 11/1996 Gottwalld ..... D23/238
- D. 378,774 4/1997 Kerguet ..... D23/238

*Primary Examiner*—Louis S. Zarfes  
*Assistant Examiner*—Eric Watterson  
*Attorney, Agent, or Firm*—Dorn, McEachran, Jambor & Keating

[57] **CLAIM**

The ornamental design for a wall mount faucet body, as shown and described.

**DESCRIPTION**

FIG. 1 is a front view of a wall mount faucet body showing our new design;  
FIG. 2 is a top view thereof;  
FIG. 3 is a left side view thereof, the right side being a mirror image of the left side;  
FIG. 4 is a top perspective view thereof; and,  
FIG. 5 is a bottom perspective view thereof.

**1 Claim, 2 Drawing Sheets**

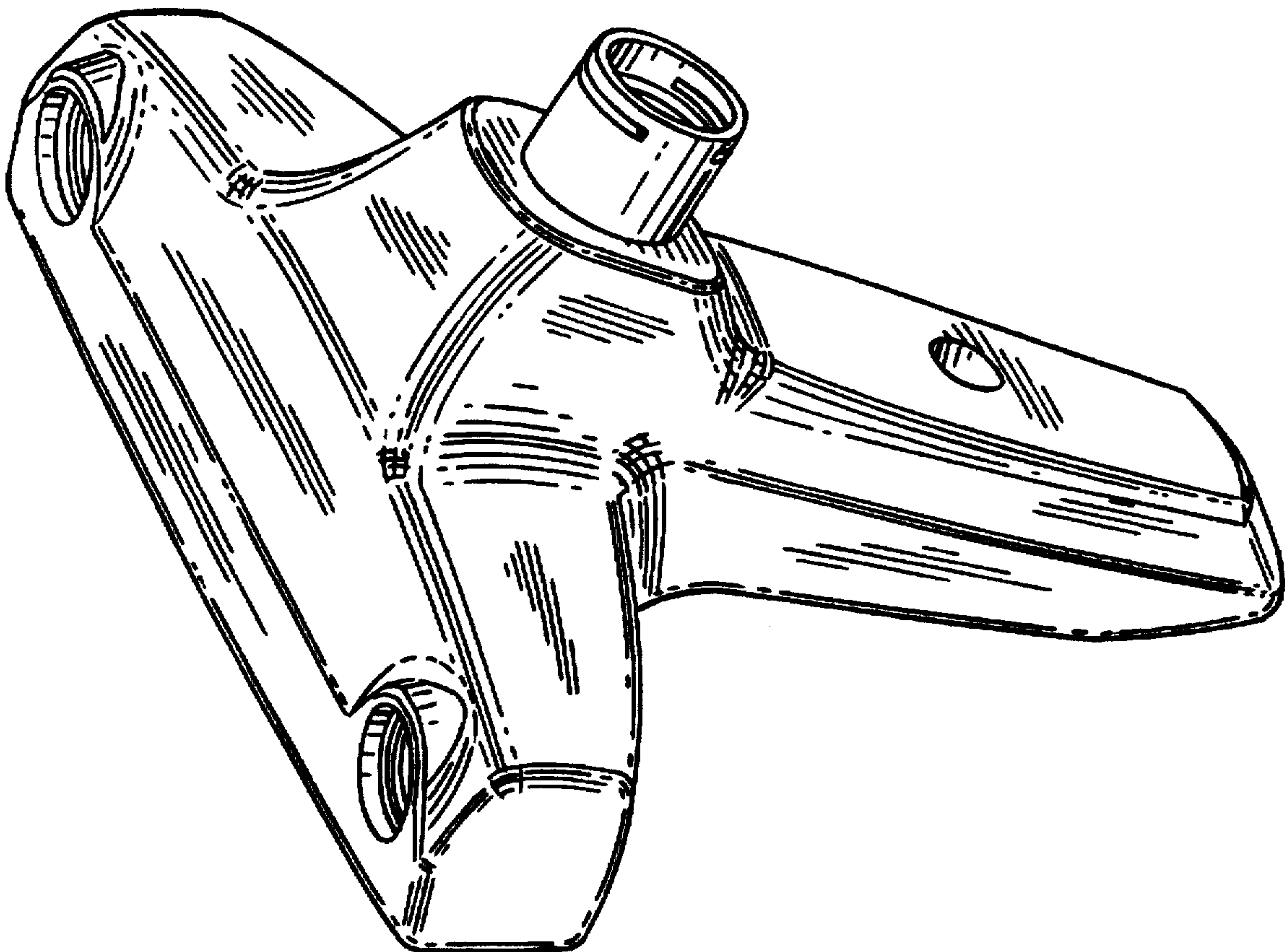


FIG. 1.

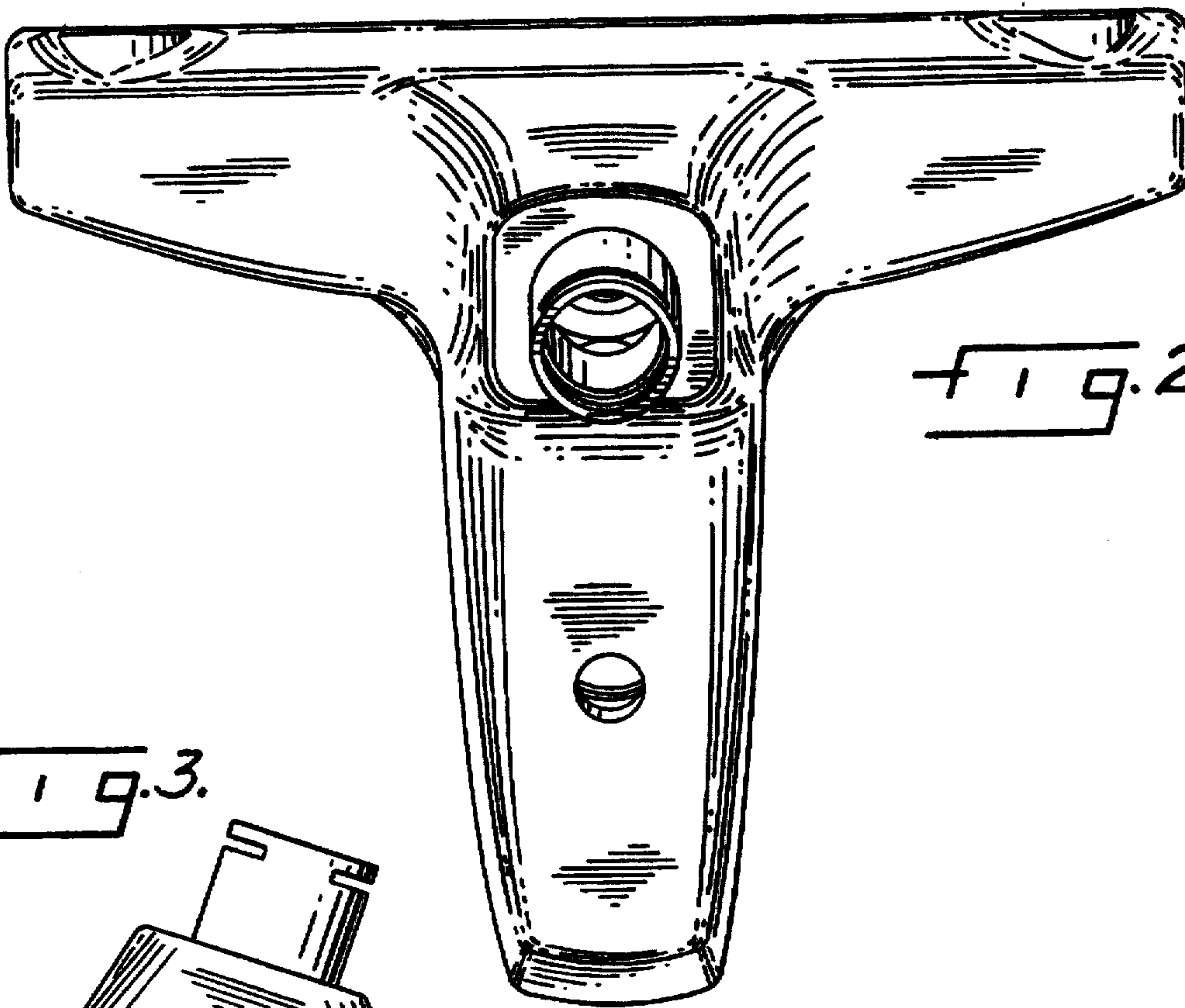
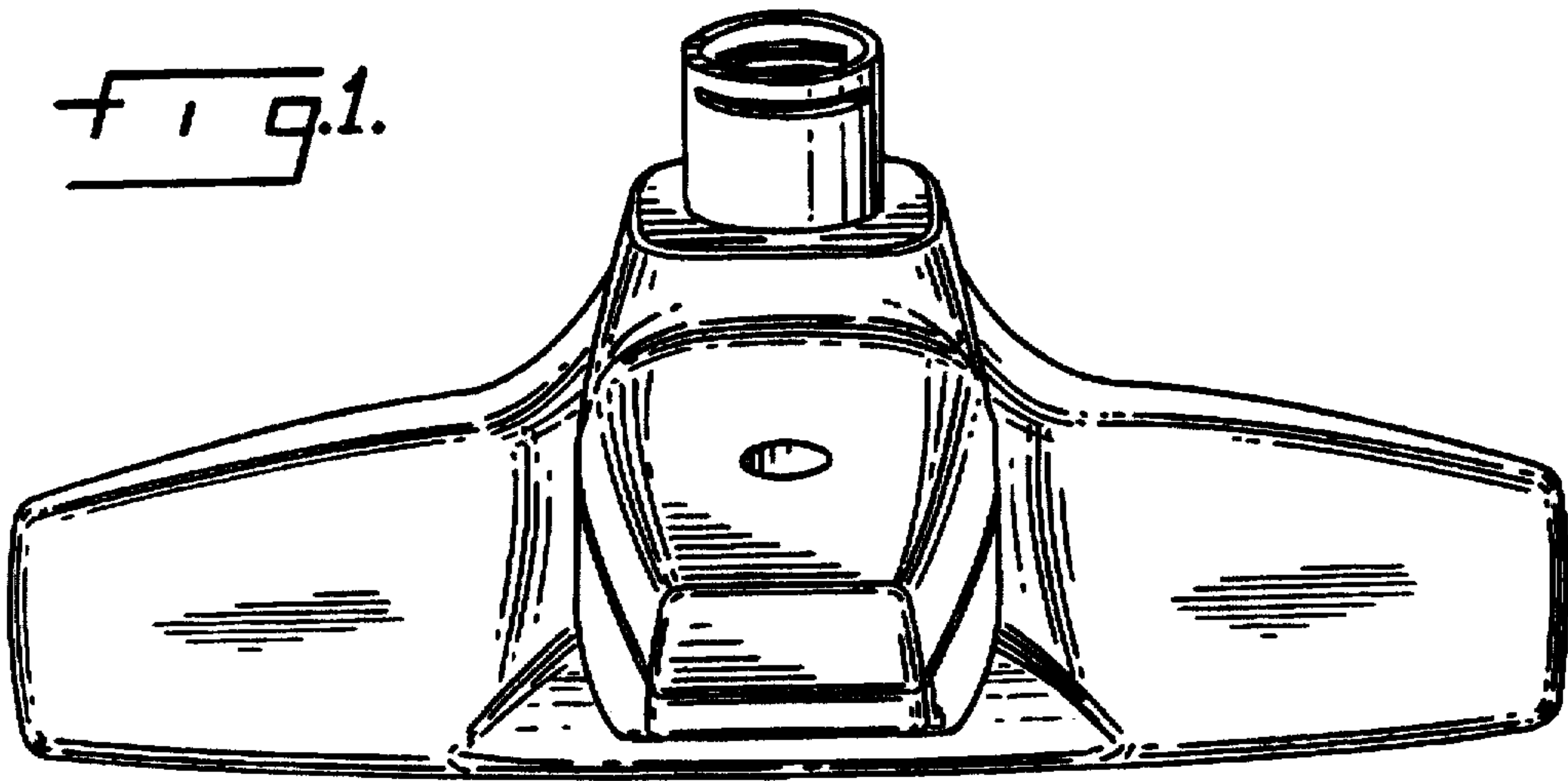
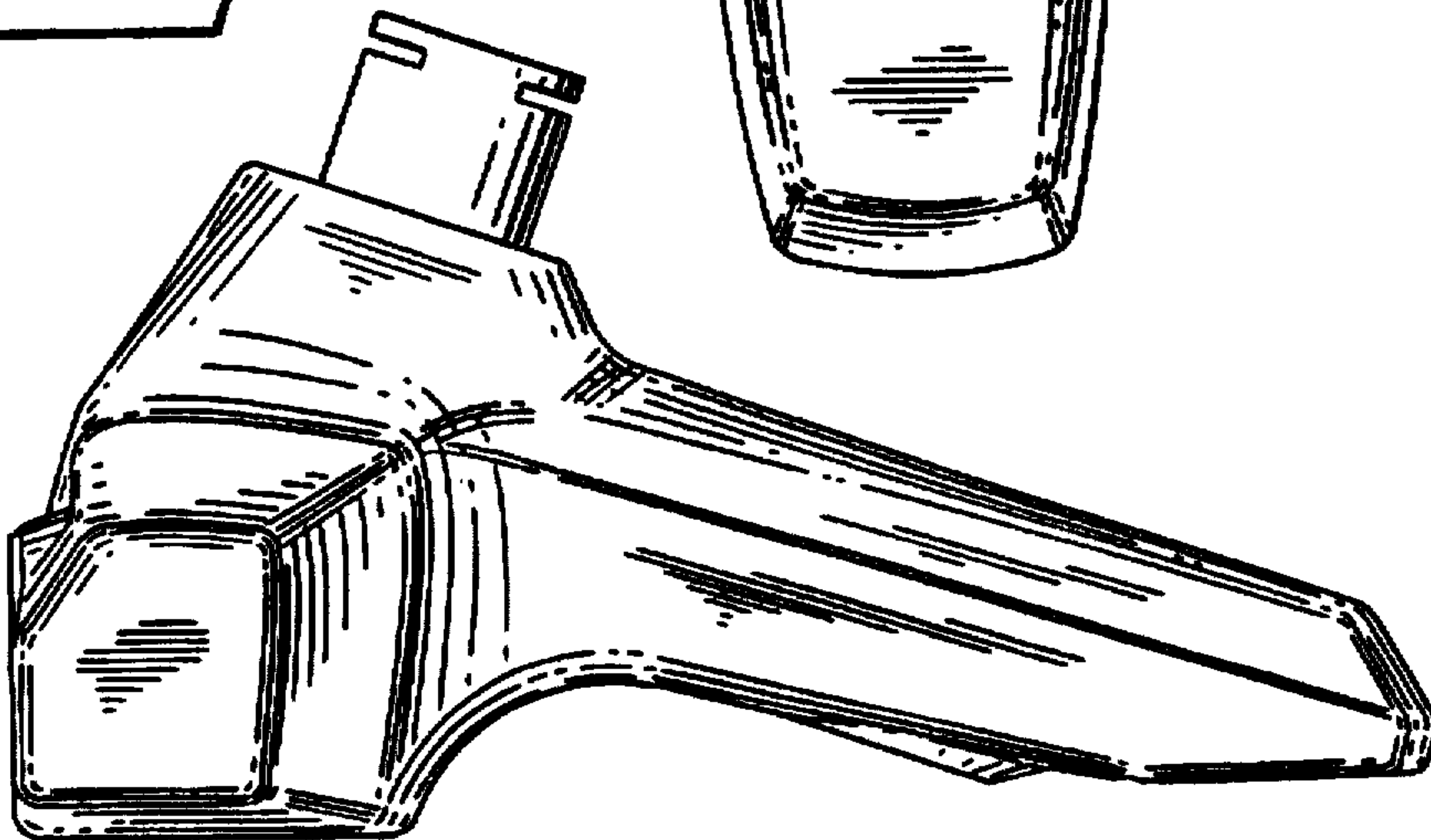


FIG. 2.

FIG. 3.



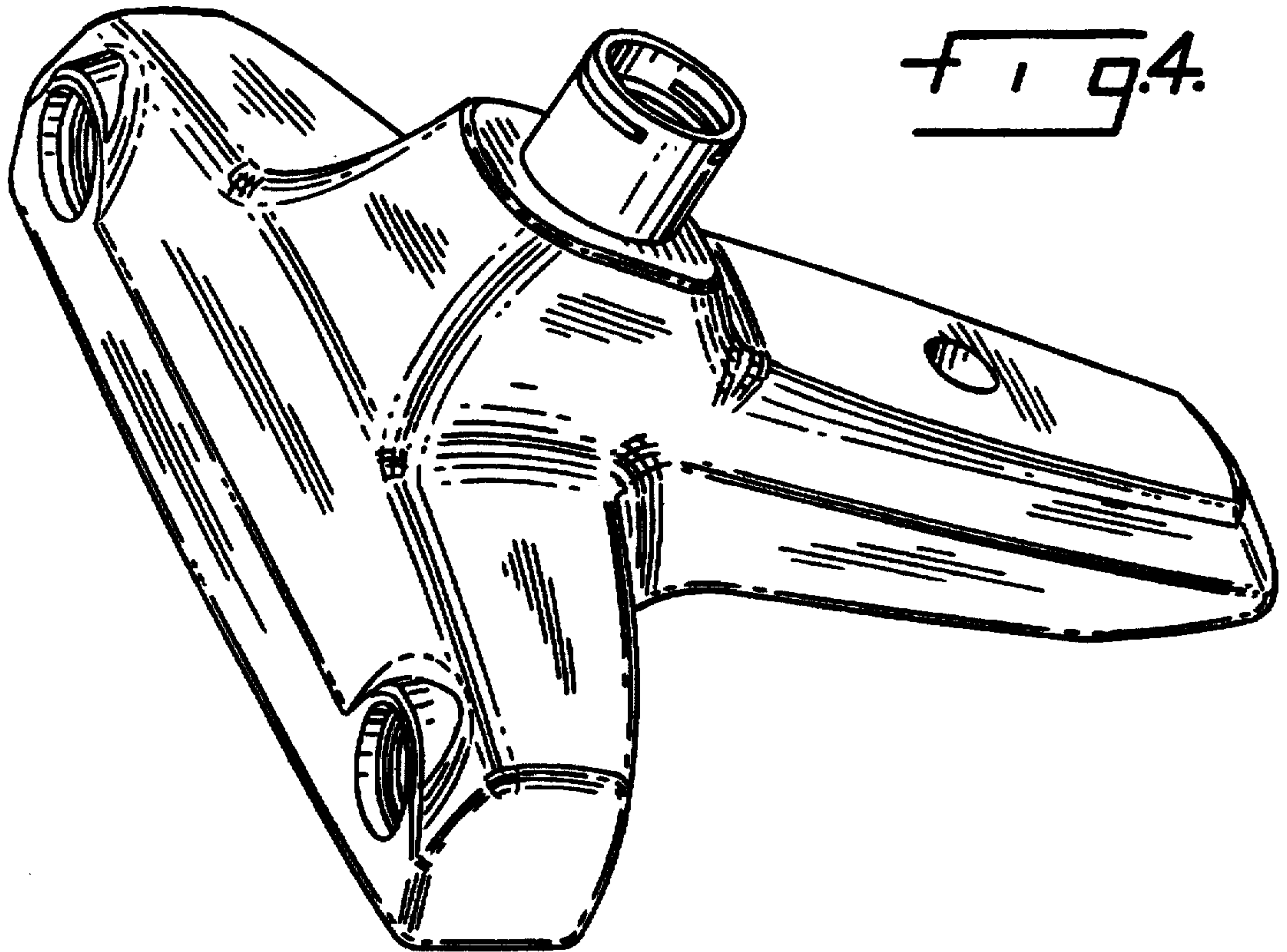


FIG. 4.

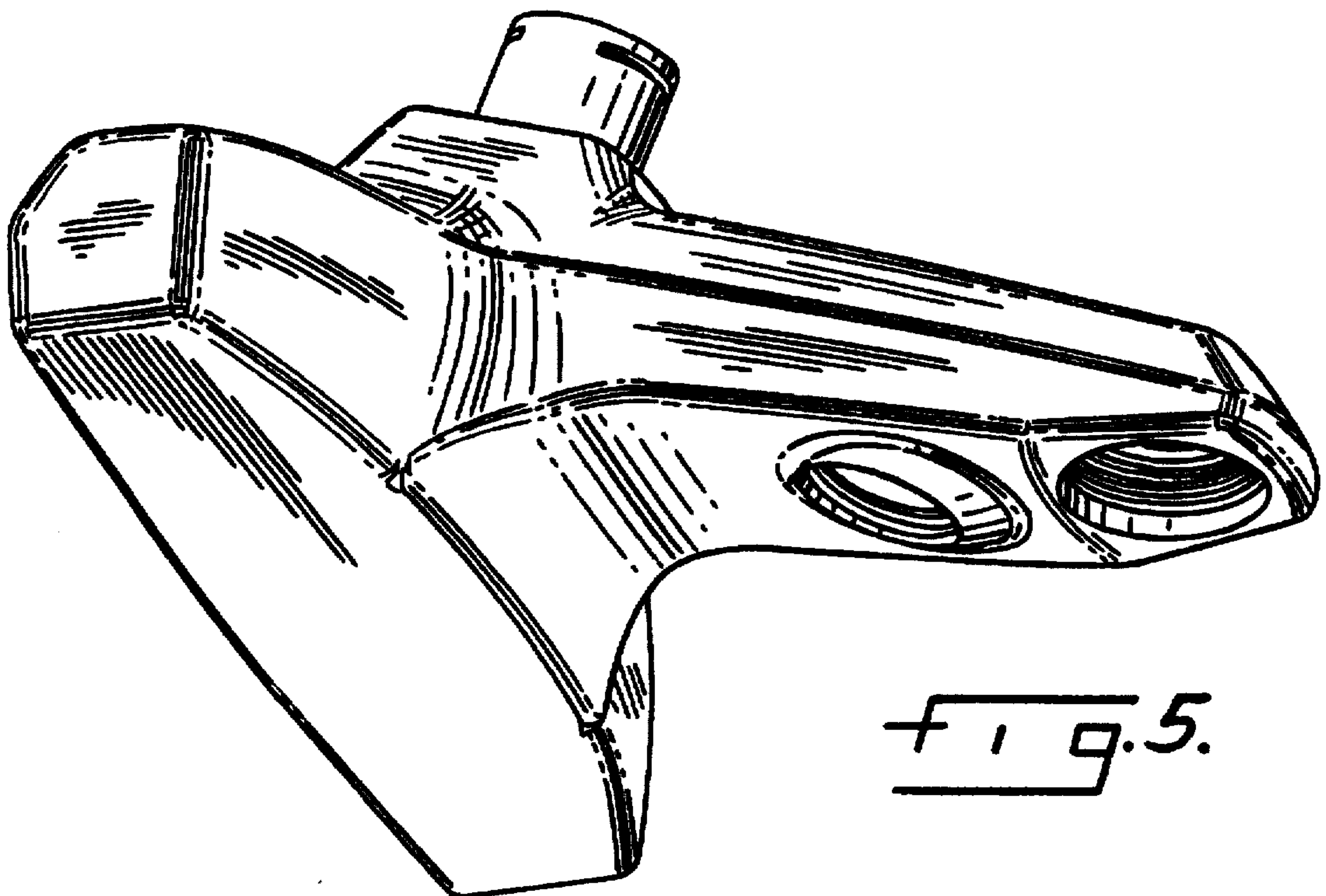


FIG. 5.