



US00D388156S

**United States Patent** [19]  
**Hill et al.**

[11] **Patent Number:** **Des. 388,156**  
[45] **Date of Patent:** **\*\*Dec. 23, 1997**

- [54] **FAUCET**
- [75] **Inventors:** **Loran R. Hill**, Indianapolis; **Anthony G. Spangler**, Greensburg, both of Ind.
- [73] **Assignee:** **Masco Corporation of Indiana**, Indianapolis, Ind.
- [\*\*] **Term:** **14 Years**
- [21] **Appl. No.:** **59,056**
- [22] **Filed:** **Aug. 30, 1996**
- [51] **LOC (6) Cl.** ..... **23-01**
- [52] **U.S. Cl.** ..... **D23/238**
- [58] **Field of Search** ..... **D23/238-243, D23/250-257; 4/675-678; 137/801; 16/110 R, 118, 121, 123, 125**

D. 367,918 3/1996 Hong et al. .... D23/238

*Primary Examiner*—Louis S. Zarfes  
*Assistant Examiner*—Eric Watterson  
*Attorney, Agent, or Firm*—Myron B. Kapustij; Malcolm L. Sutherland

[57] **CLAIM**

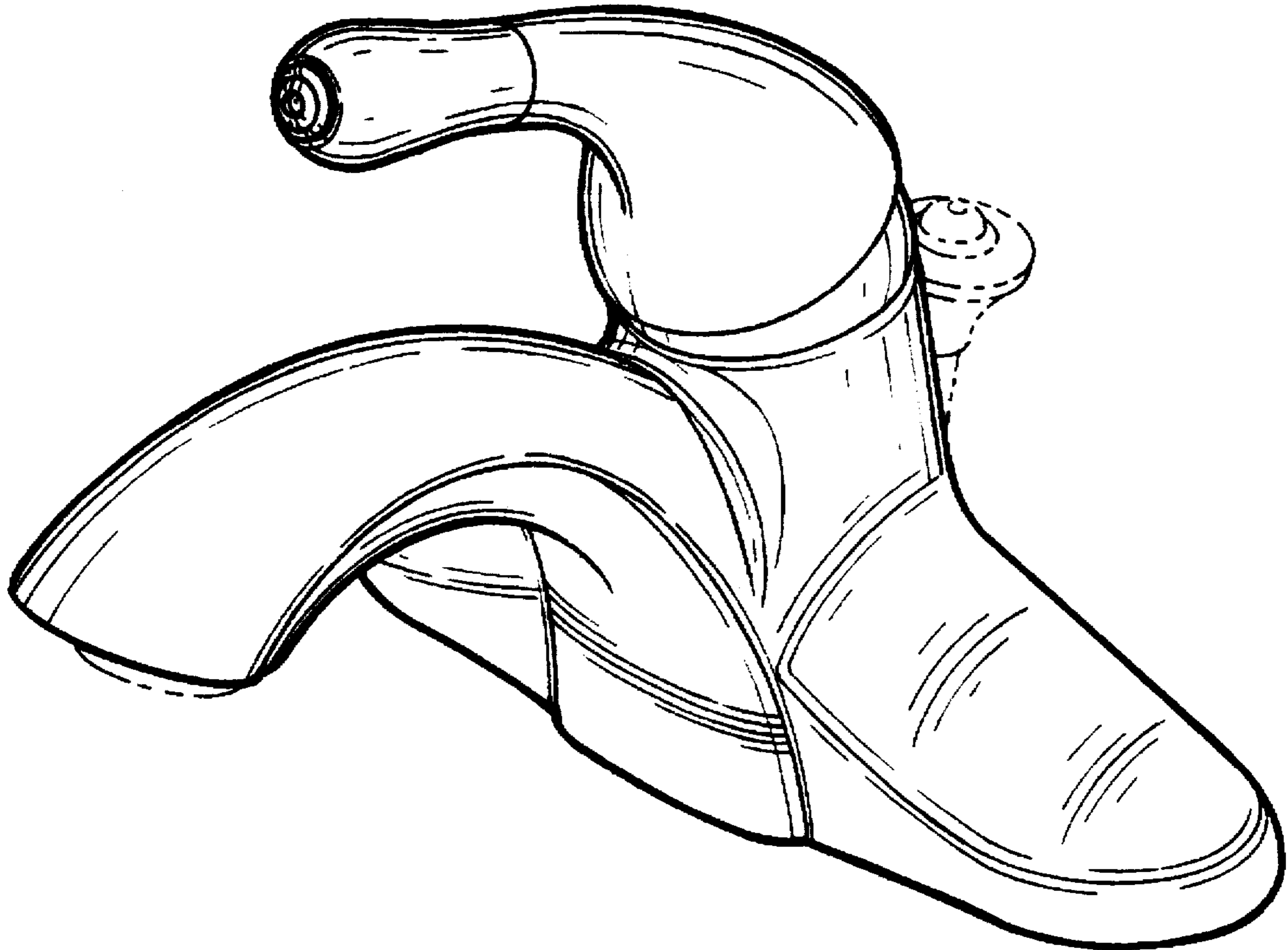
The ornamental design for a faucet, as shown and described.

**DESCRIPTION**

FIG. 1 is a top perspective view of a faucet showing our new design;  
FIG. 2 is a front elevational view thereof;  
FIG. 3 is a top plan view thereof;  
FIG. 4 is a left side elevational view thereof, the right side being a mirror image;  
FIG. 5 is a rear elevational view thereof; and,  
FIG. 6 is a bottom plan view thereof.  
The broken line showings of an aerator in FIGS. 1, 2, 4 and 6, of the lift rod in FIGS. 1, 3, 4 and 5, and of the water aperture in FIG. 6 are for purposes of illustration only and form no part of the claimed design.

- [56] **References Cited**
- U.S. PATENT DOCUMENTS**
- D. 323,877 2/1992 Hong et al. .... D23/238
- D. 346,852 5/1994 Hill ..... D23/238
- D. 347,466 5/1994 Kolada et al. .... D23/238

**1 Claim, 3 Drawing Sheets**



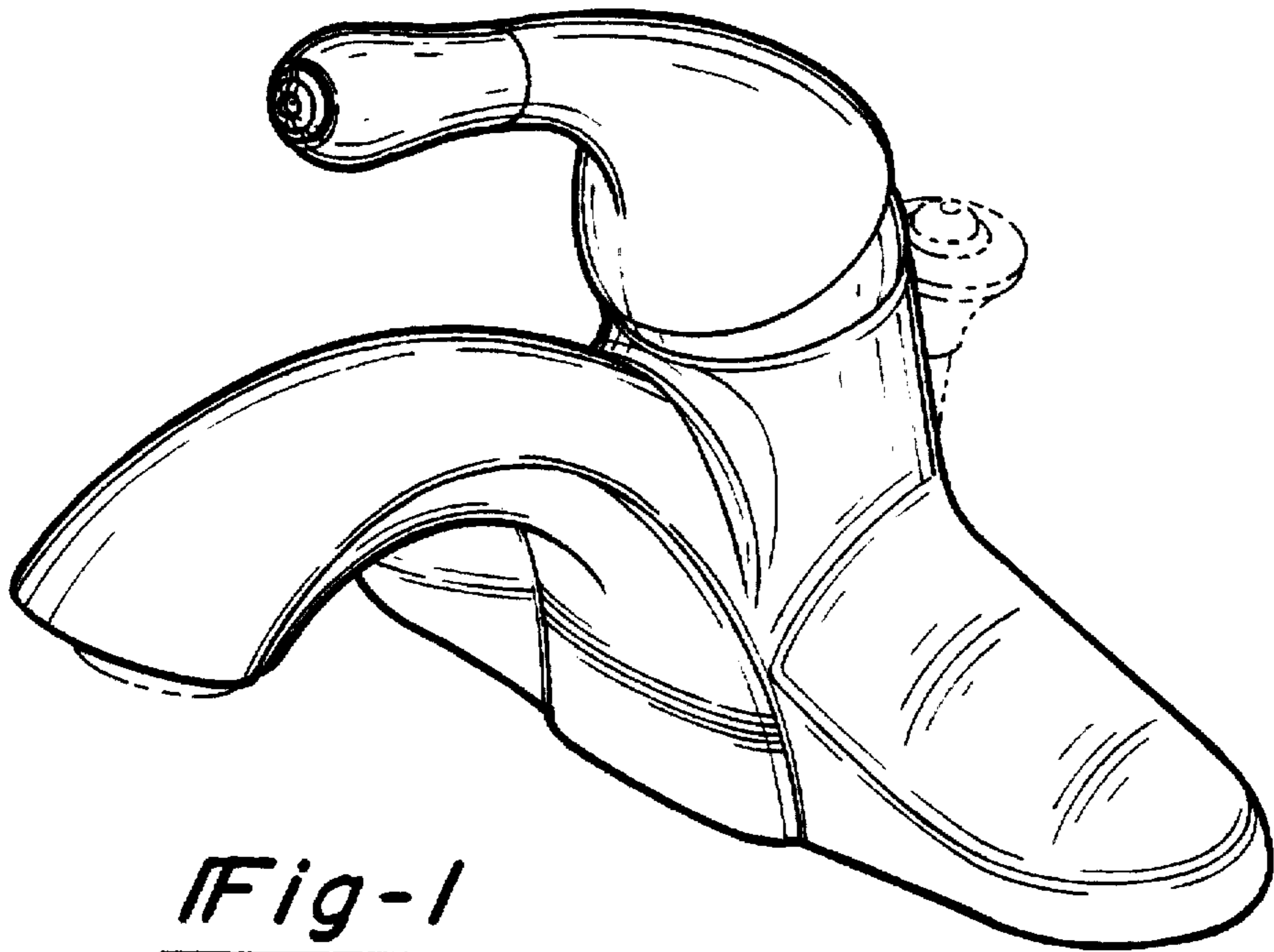


Fig-1

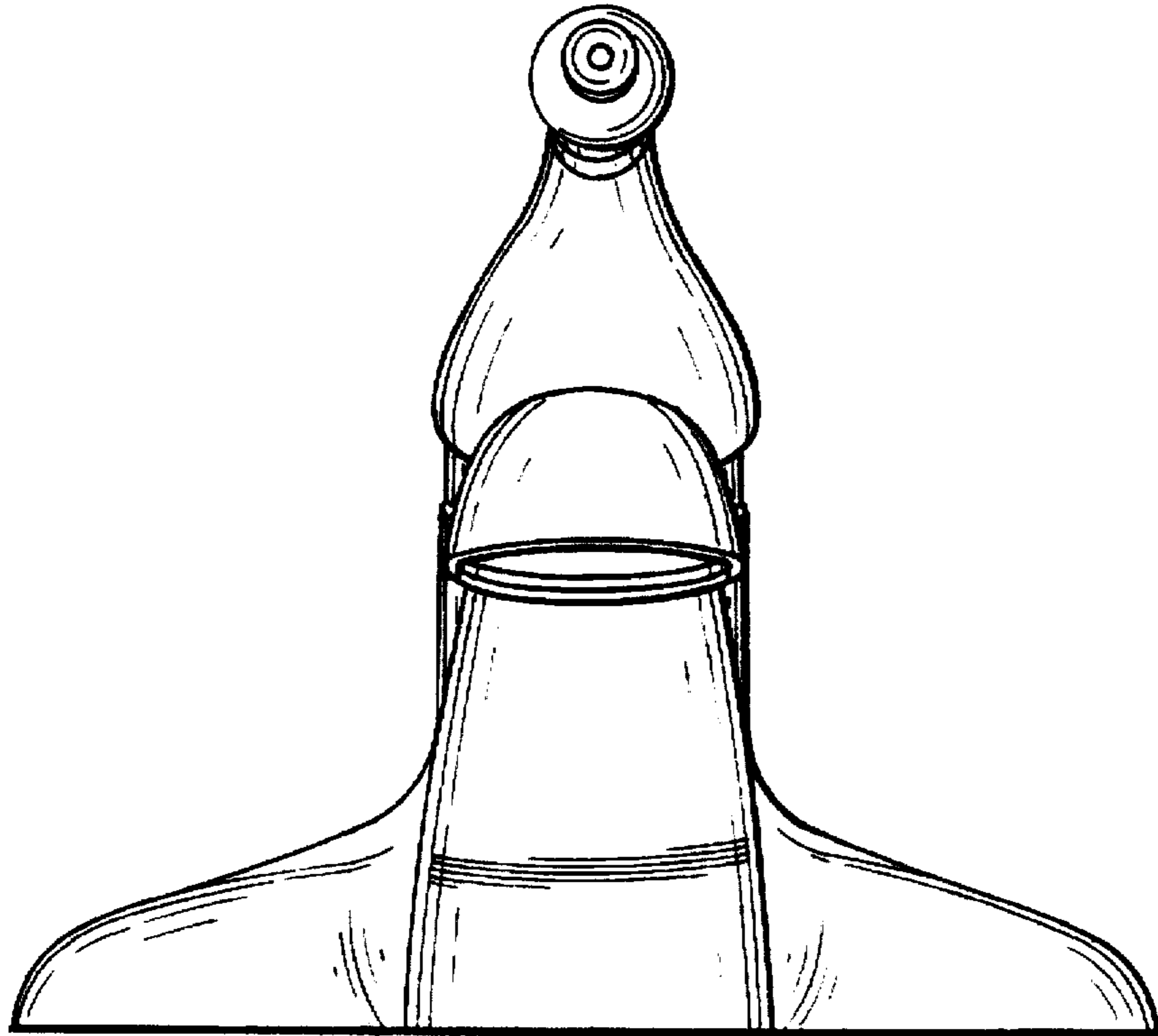


Fig-2

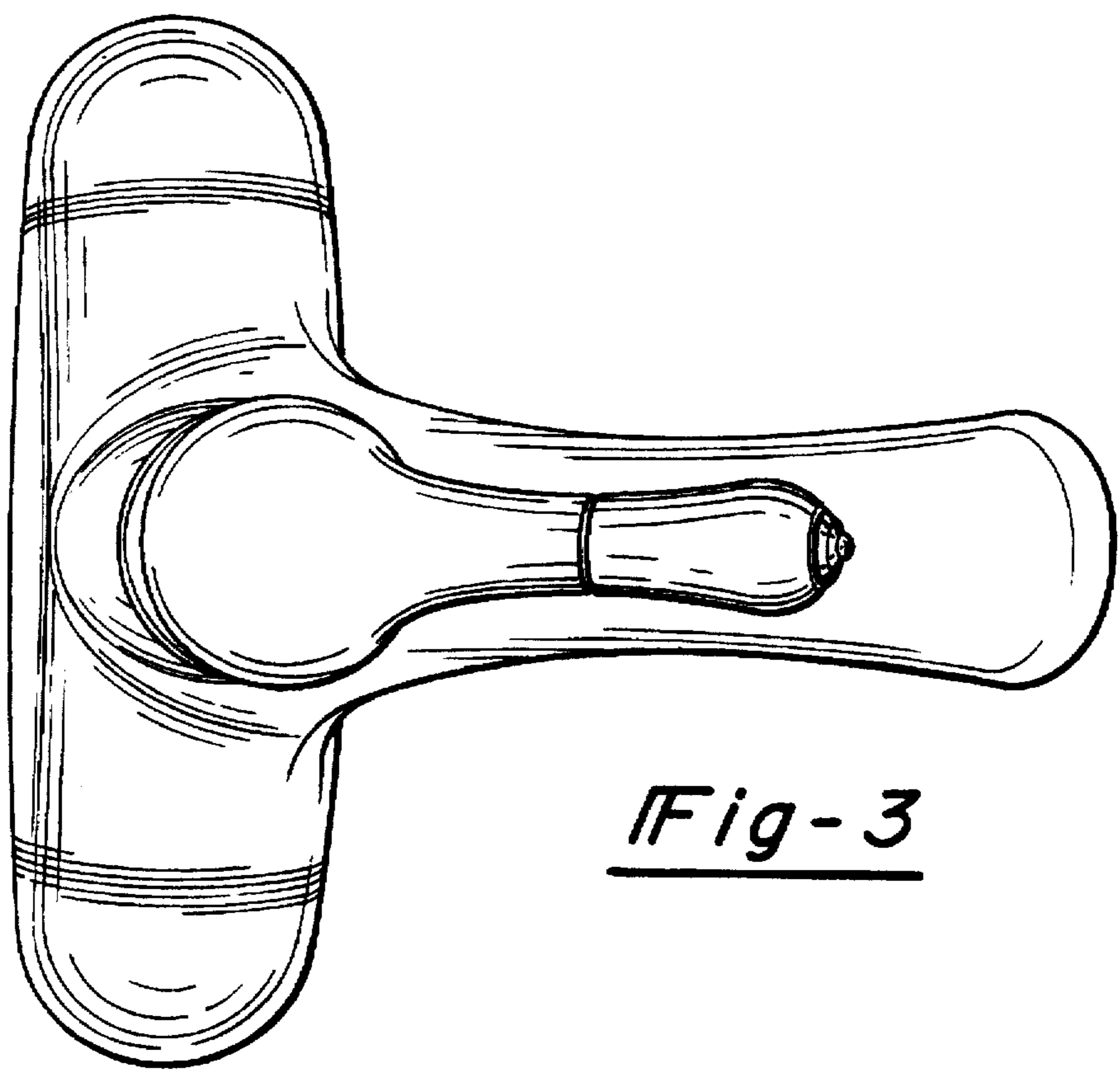


Fig-3

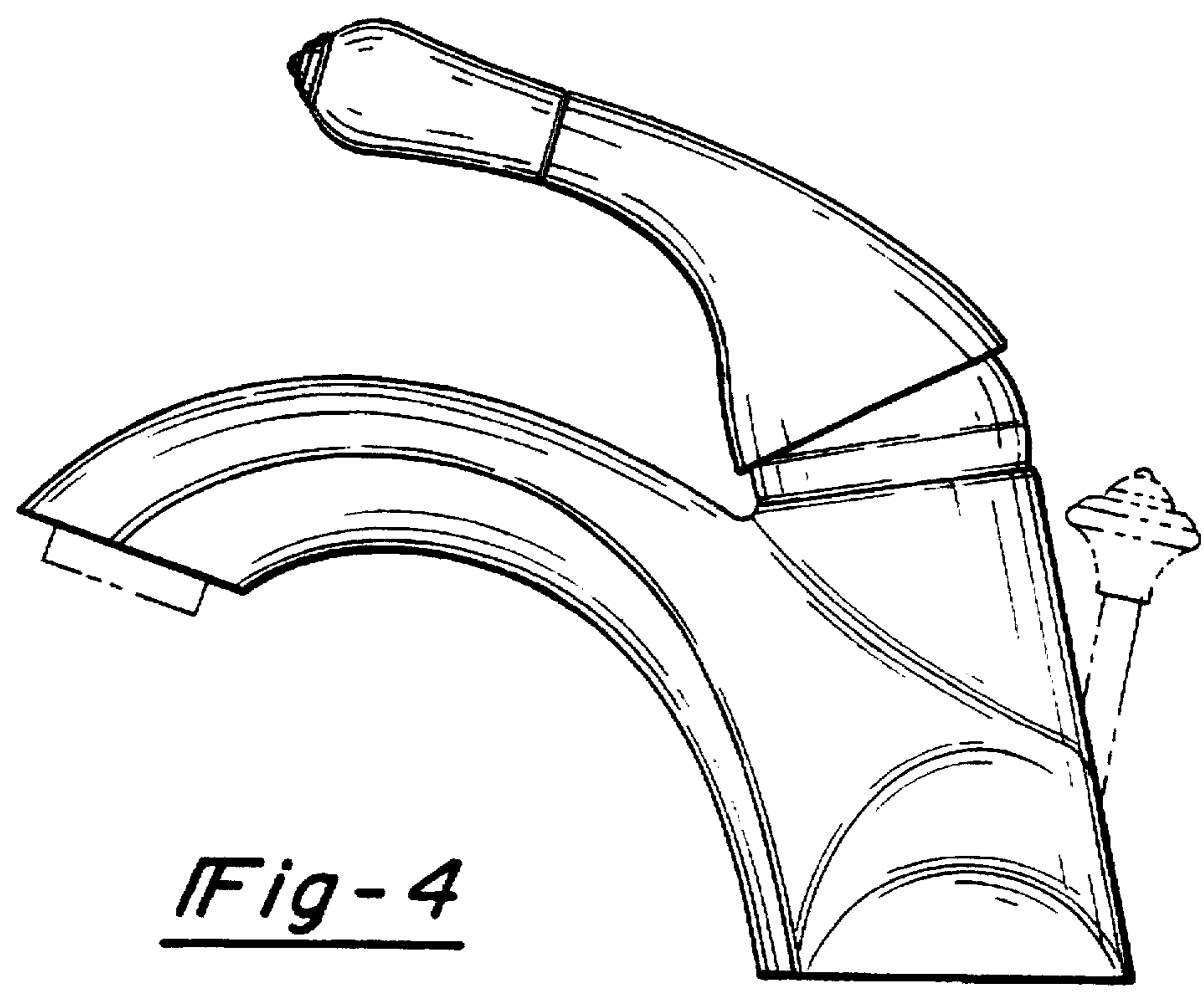


Fig-4

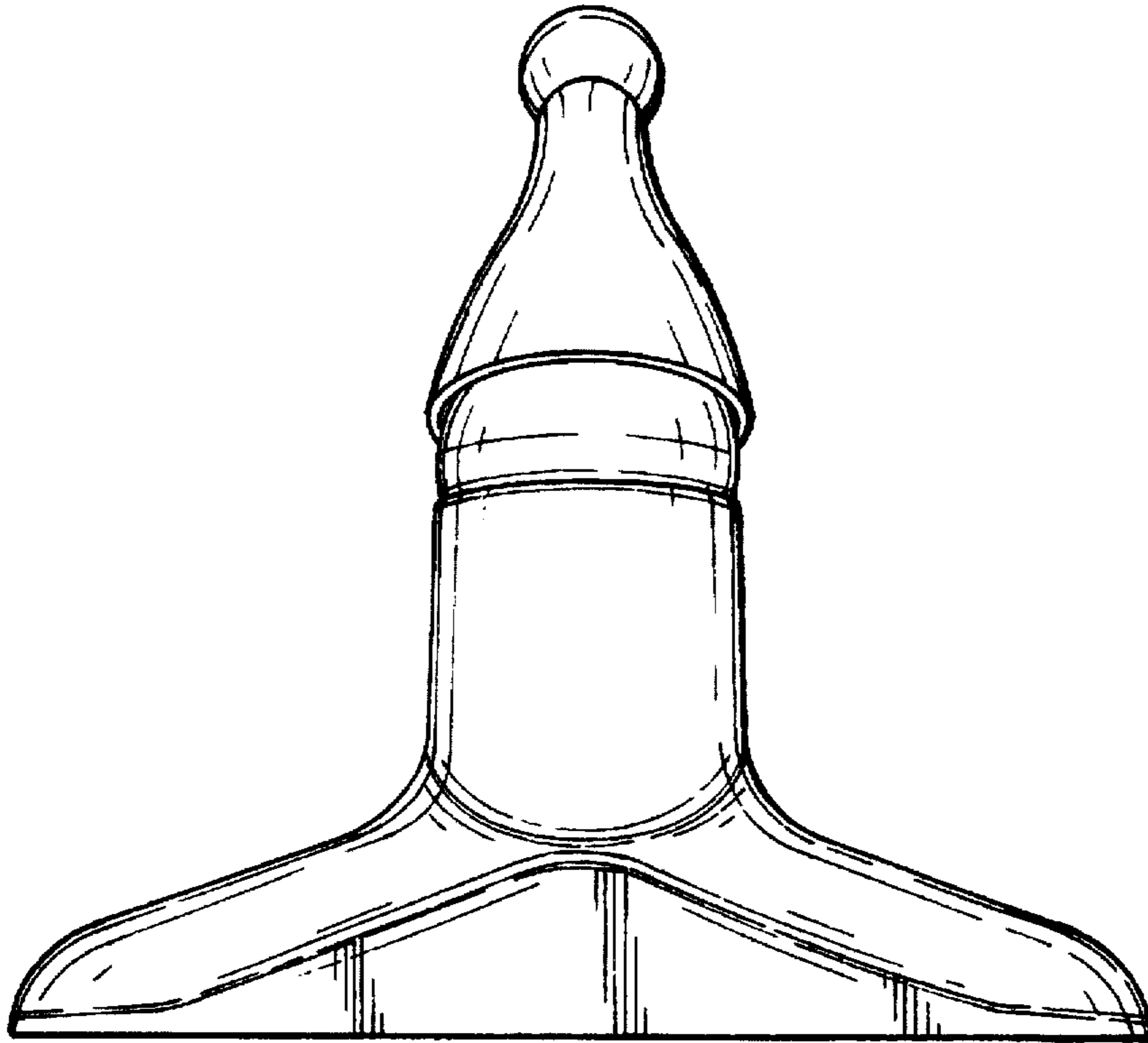


Fig-5

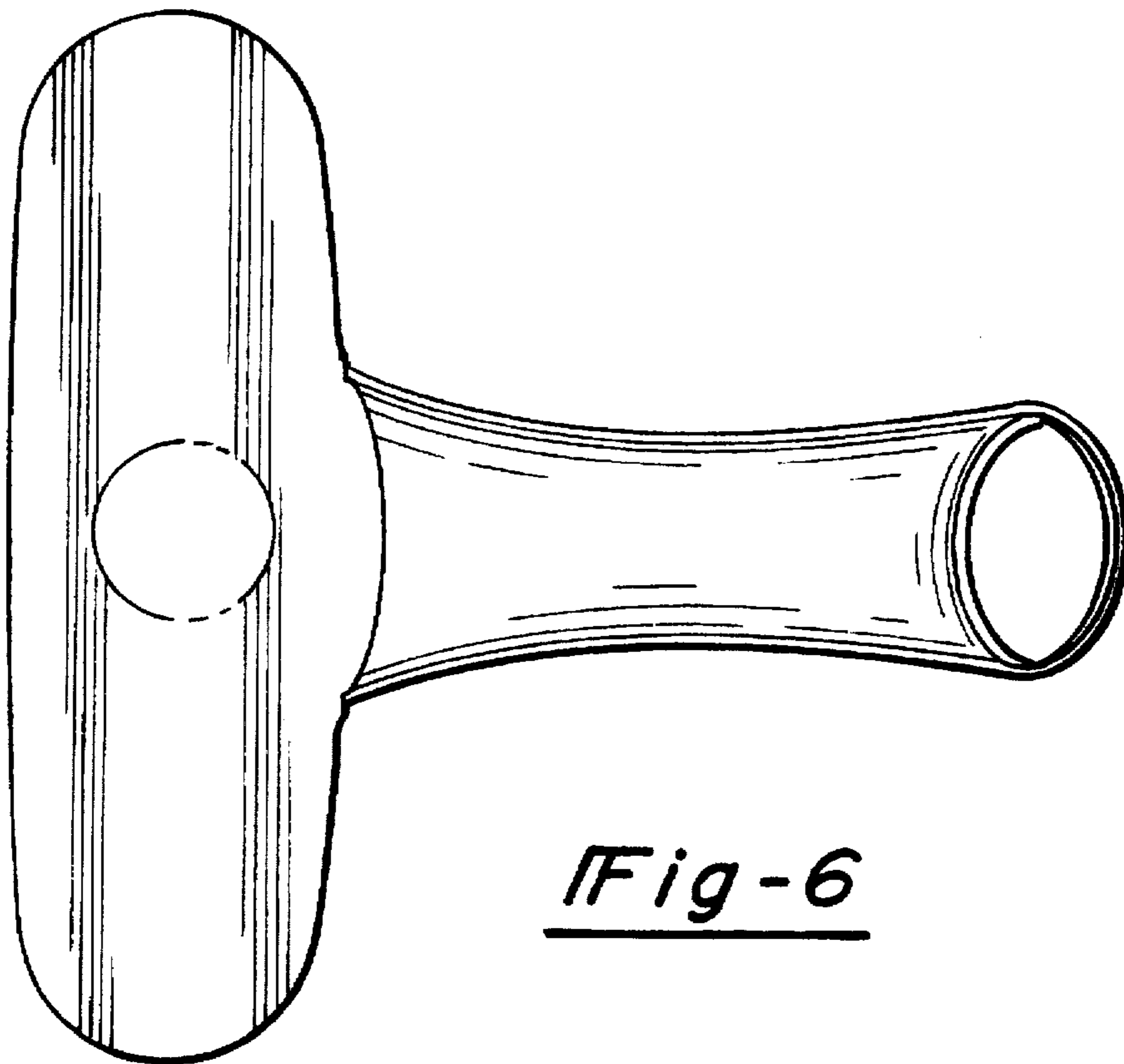


Fig-6